



US00D833802S

(12) **United States Design Patent**
Yang et al.

(10) **Patent No.:** **US D833,802 S**

(45) **Date of Patent:** **** Nov. 20, 2018**

(54) **MULTIPURPOSE COOKER**

(71) Applicants: **Lin Yang**, Shenzhen (CN); **Hai Yang**,
Shenzhen (CN)

(72) Inventors: **Lin Yang**, Shenzhen (CN); **Hai Yang**,
Shenzhen (CN)

(**) Term: **15 Years**

(21) Appl. No.: **29/628,962**

(22) Filed: **Dec. 8, 2017**

(51) **LOC (11) Cl.** **07-02**

(52) **U.S. Cl.**
USPC **D7/357; D7/354**

(58) **Field of Classification Search**
USPC D7/323, 354-361
CPC A47J 27/00; A47J 27/004; A47J 27/04;
A47J 27/05; A47J 27/08; A47J 27/09;
A47J 27/092; A47J 36/025; A47J 36/06;
A47J 36/08; A47J 36/10; A47J 36/12;
A47J 37/12; A47J 37/1204; A47J
37/1209; H05B 6/02; H05B 6/06; H05B
6/12

See application file for complete search history.

(56) **References Cited**

U.S. PATENT DOCUMENTS

- D434,940 S * 12/2000 Hlava D7/354
- D537,670 S * 3/2007 Genslak D7/354
- 7,291,812 B2 * 11/2007 Kaney A47J 27/004
219/432
- D556,504 S * 12/2007 Averty D7/360
- D620,744 S * 8/2010 Rose D7/354
- D644,476 S * 9/2011 Gregory D7/354

- D646,114 S * 10/2011 Wong D7/354
- D657,993 S * 4/2012 Pantaleo A47J 27/004
D7/354
- D682,009 S * 5/2013 Day D7/354
- D697,363 S * 1/2014 Tu D7/354
- D701,416 S * 3/2014 Day D7/354
- D820,631 S * 6/2018 Ye A47J 27/004
D7/357
- 2007/0210062 A1 * 9/2007 Gaynor A47J 27/004
219/442

* cited by examiner

Primary Examiner — Ricky Pham

(74) *Attorney, Agent, or Firm* — Law Offices of James
Zhou; Jianmin Zhou

(57) **CLAIM**

The ornamental design for a multipurpose cooker, as shown
and described.

DESCRIPTION

FIG. 1 is a perspective view of a multipurpose cooker design
showing our new design.

FIG. 2 is a front view of a multipurpose cooker.

FIG. 3 is a rear view of a multipurpose cooker.

FIG. 4 is a left side view of a multipurpose cooker.

FIG. 5 is a right side view of a multipurpose cooker.

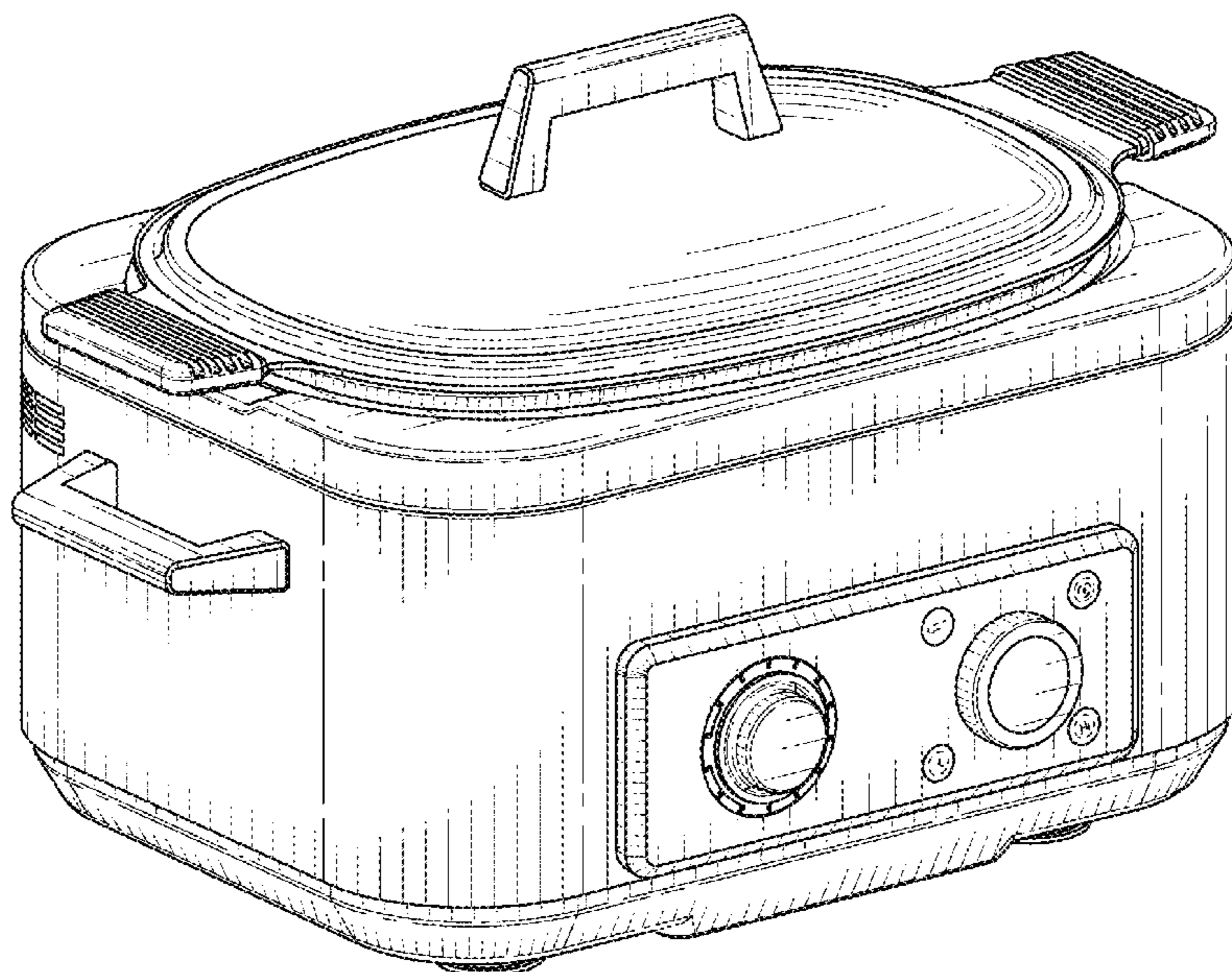
FIG. 6 is a top view of a multipurpose cooker; and,

FIG. 7 is a bottom view of a multipurpose cooker.

Any shading and cross-hatching are not features of the
design but are utilized to illustrate the surface contours of the
multipurpose cooker design in the drawings.

The broken lines shown in the drawings are for illustrative
purposes only and form no part of the claimed design.

1 Claim, 7 Drawing Sheets



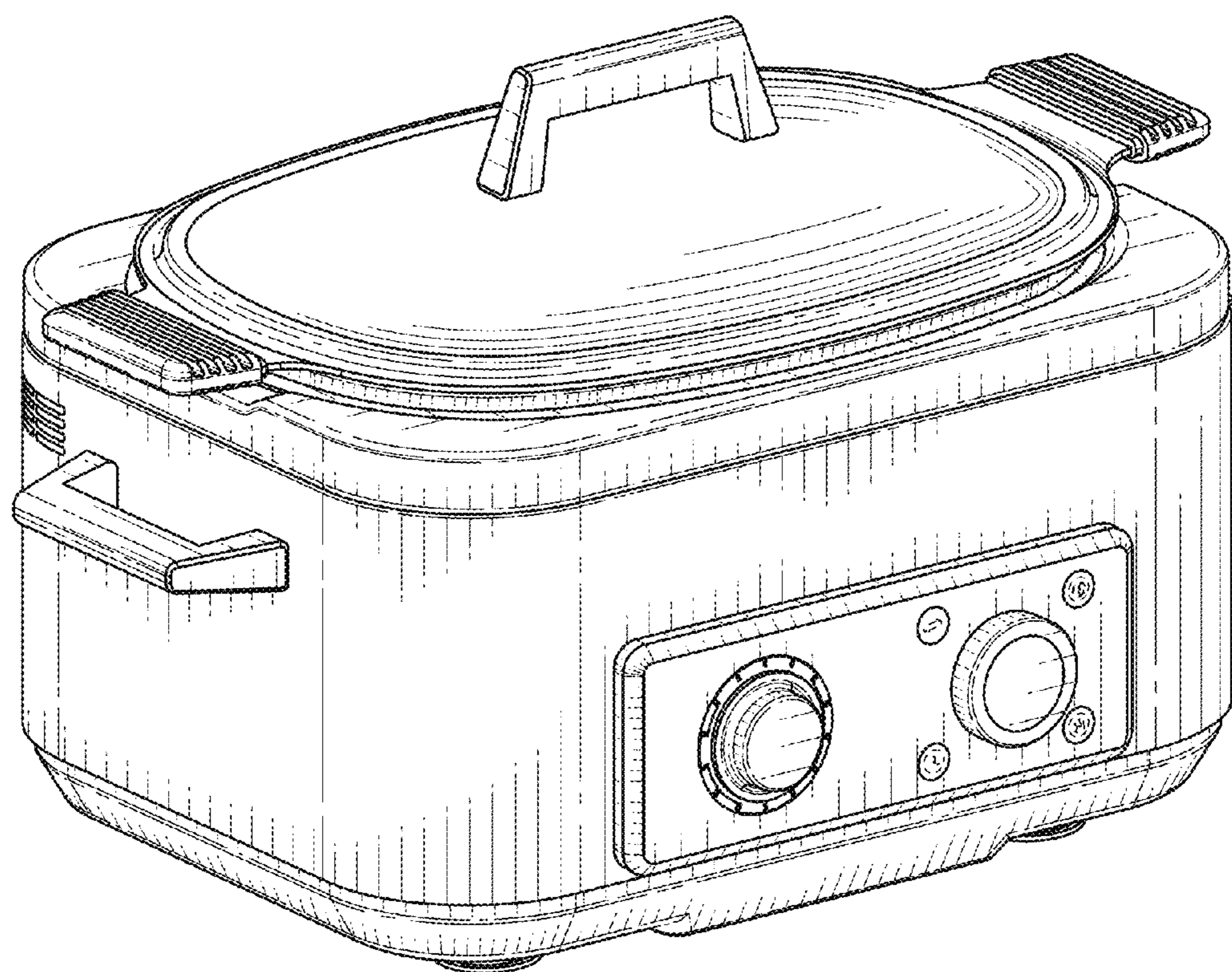


FIG. 1

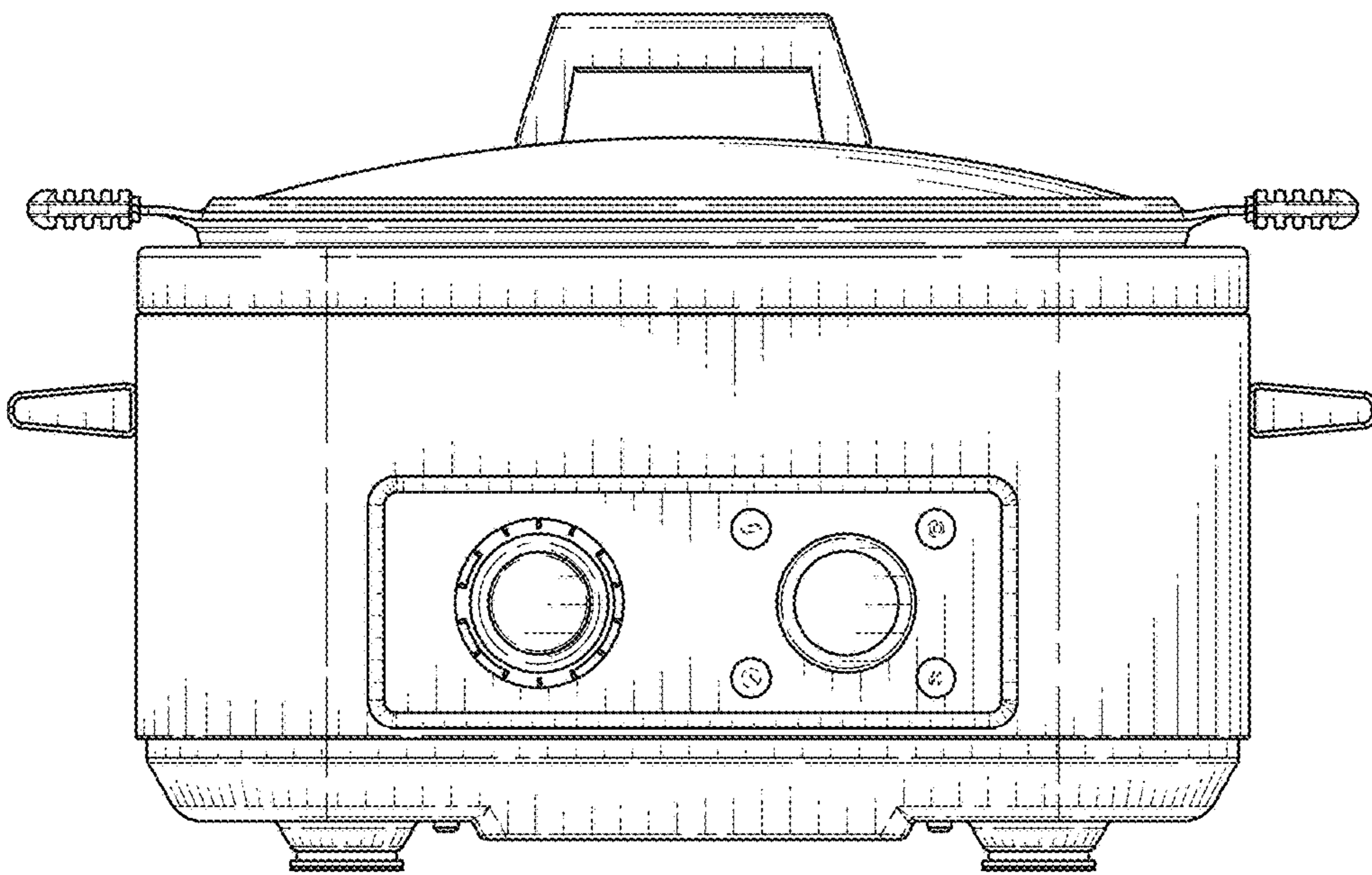


FIG. 2

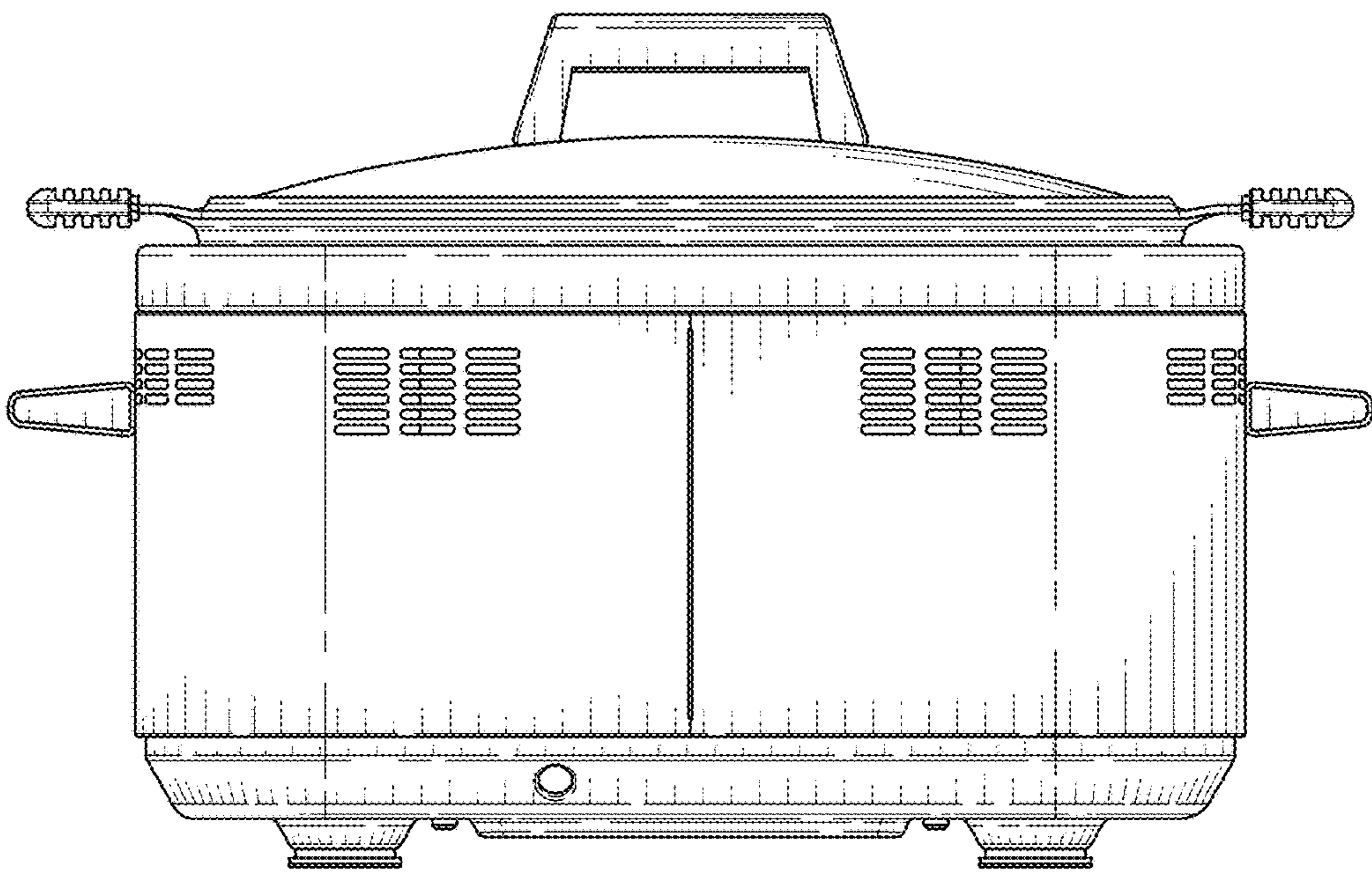


FIG. 3

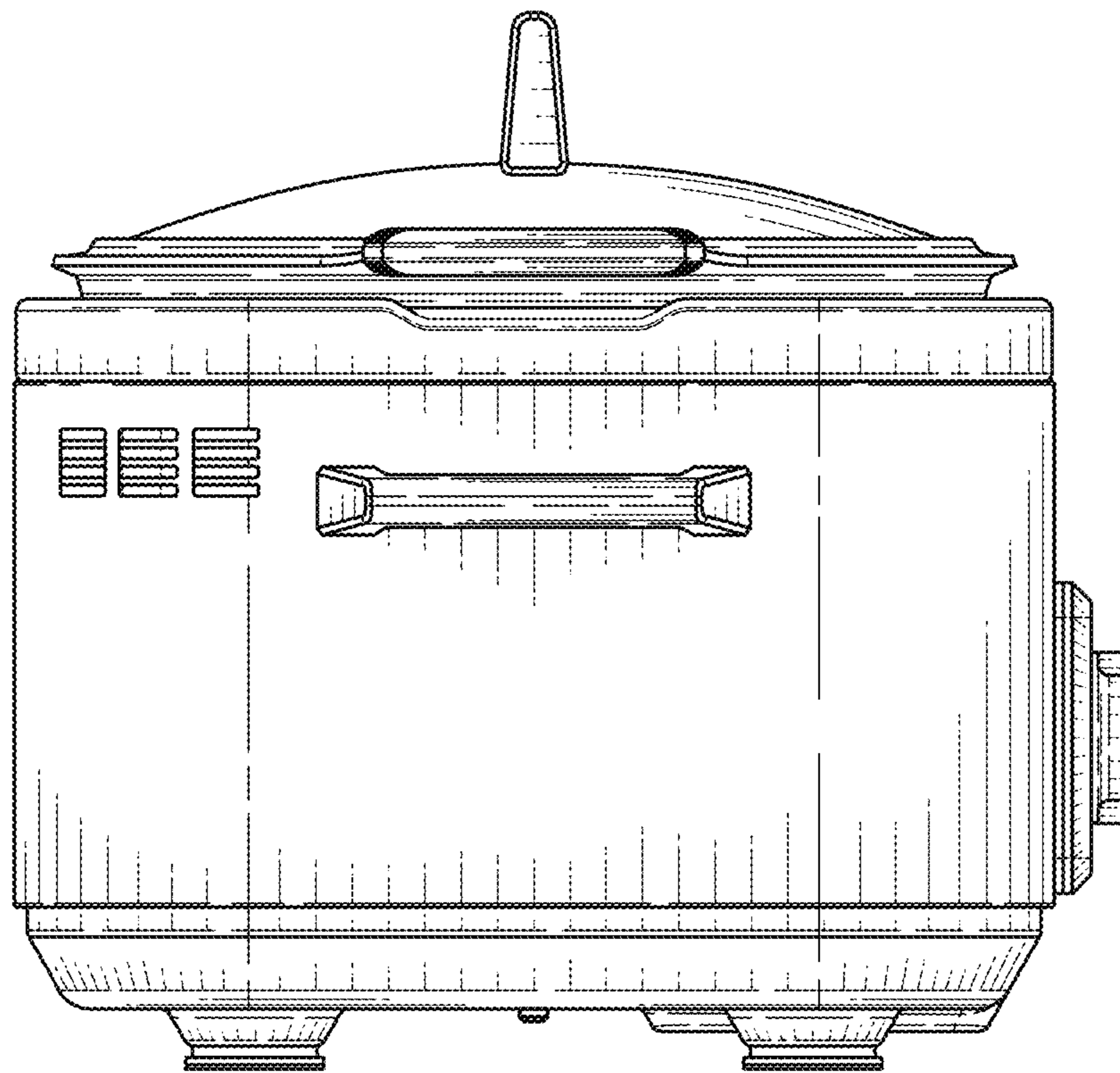


FIG. 4

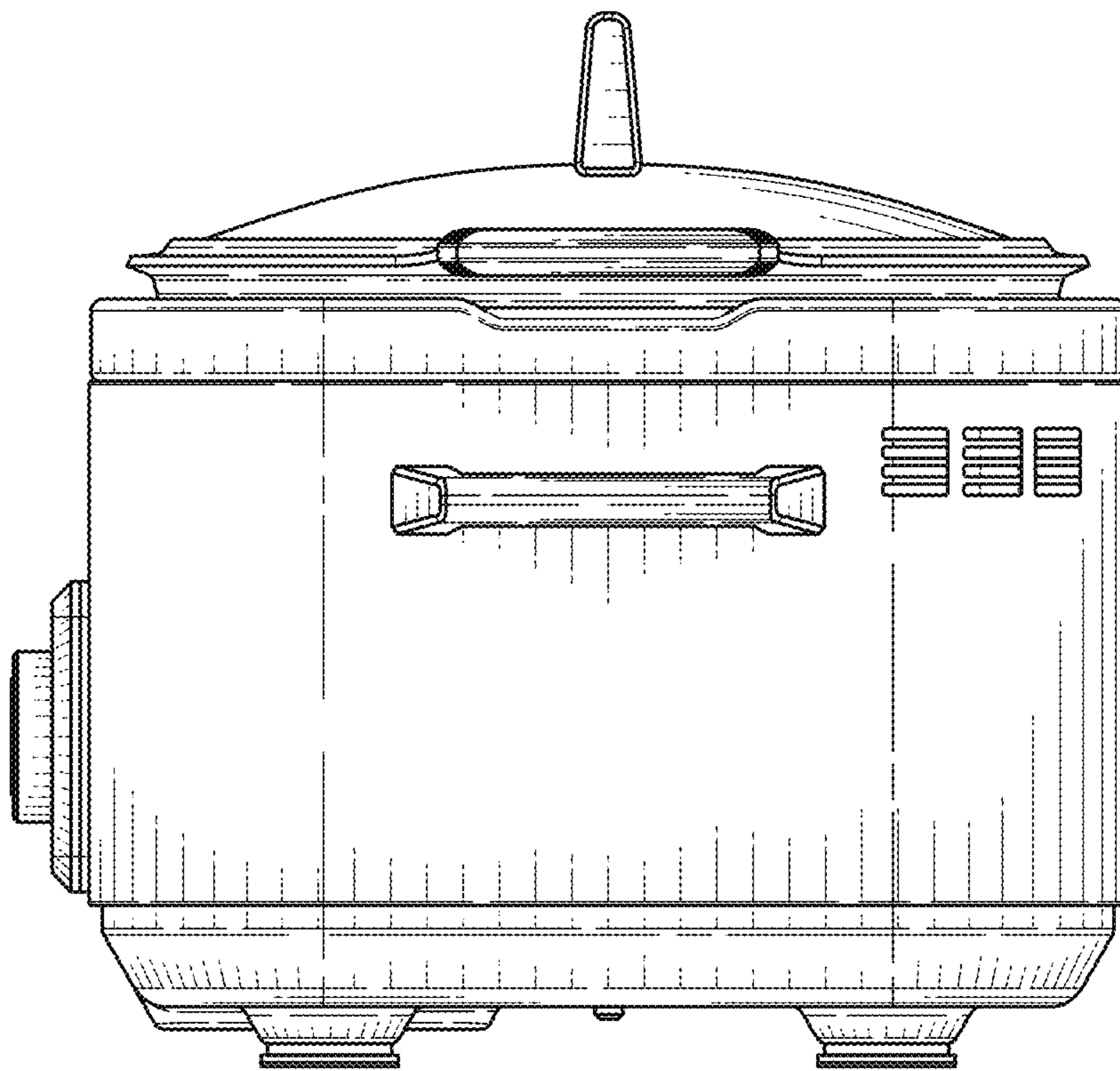


FIG. 5

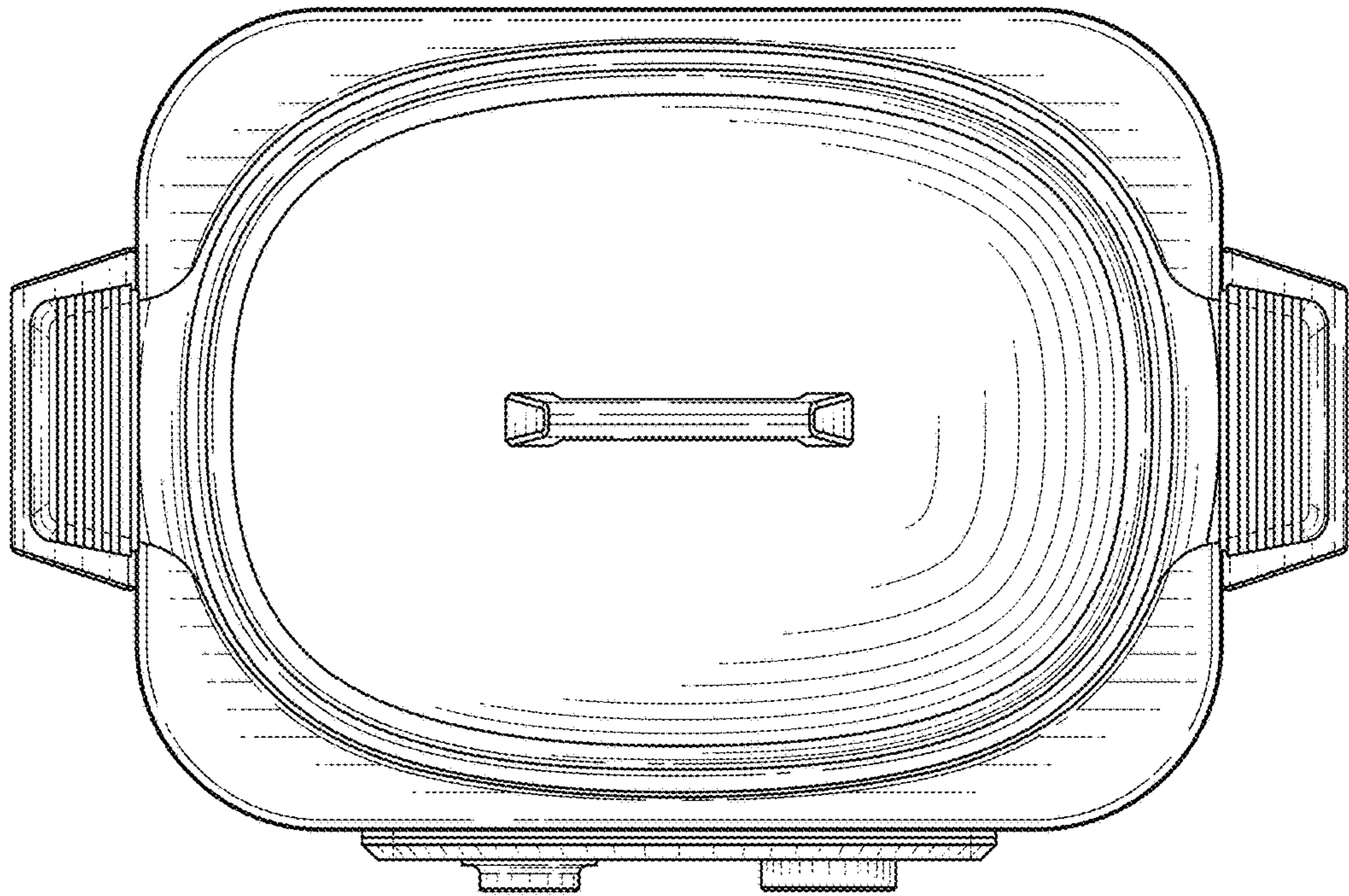


FIG. 6

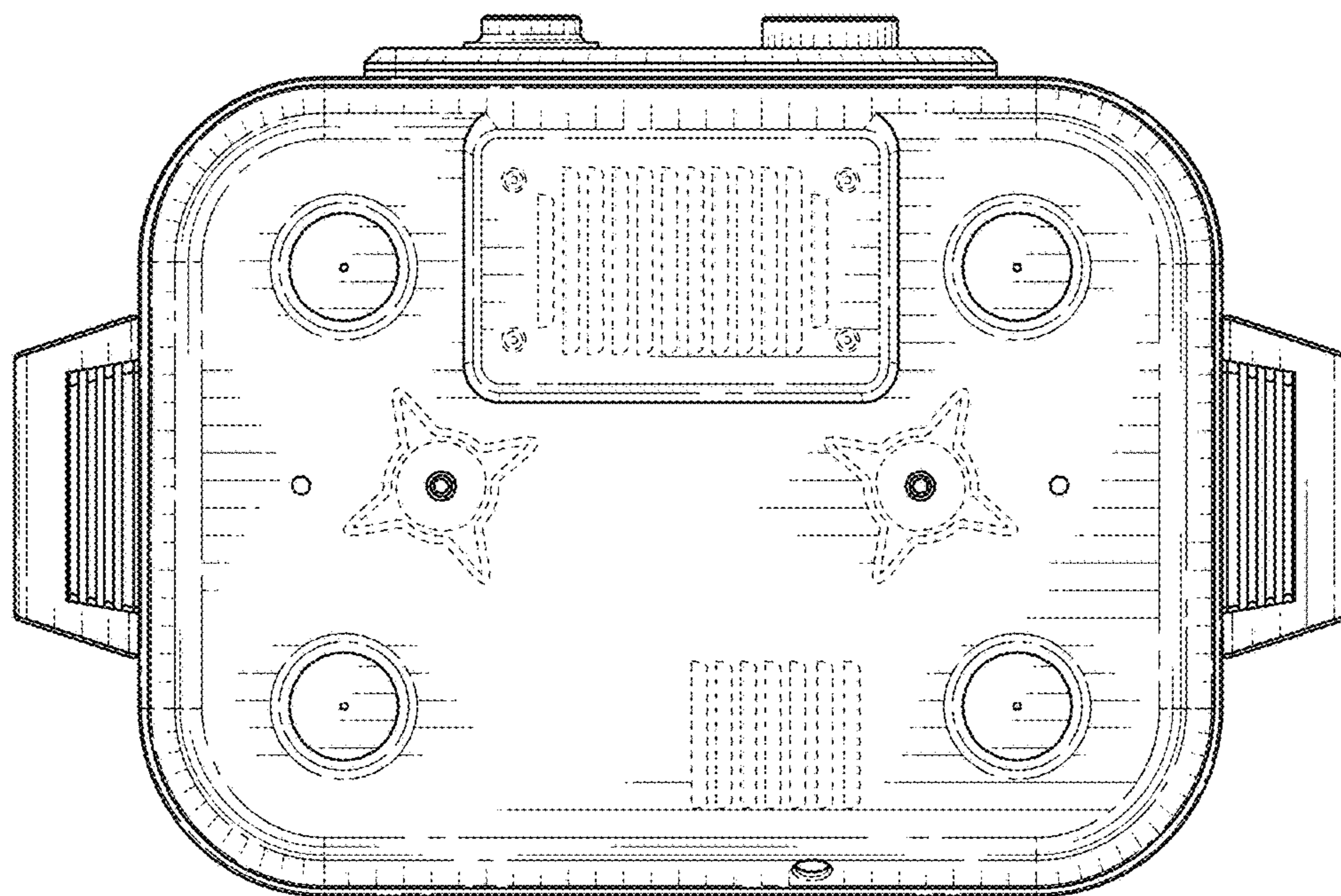


FIG. 7