

US00D833796S

(12) **United States Design Patent** (10) **Patent No.:** **US D833,796 S**
Bronwasser (45) **Date of Patent:** **** Nov. 20, 2018**

(54) **POT**

(56) **References Cited**

- (71) Applicant: **Conopco, Inc.**, Englewood Cliffs, NJ (US)
- (72) Inventor: **Robert Wim Bronwasser**, Amsterdam (NL)
- (73) Assignee: **CONOPCO, INC.**, Englewood Cliffs, NJ (US)
- (**) Term: **15 Years**
- (21) Appl. No.: **29/576,860**
- (22) Filed: **Sep. 7, 2016**

U.S. PATENT DOCUMENTS

D202,643	S	*	10/1965	Hoyt, Jr.	D7/536
D276,705	S		12/1984	Oliveri		
D318,240	S		7/1991	Pang		
D320,526	S	*	10/1991	Unger	D7/321
D431,197	S		9/2000	Pau		
D460,004	S		7/2002	van Dullemen		
D472,105	S	*	3/2003	Joørgensen	D7/312
D472,162	S		3/2003	Dullemen		
D500,685	S		1/2005	Kaposi		
7,745,759	B2	*	6/2010	Long	A47J 31/20 219/214
D769,665	S	*	10/2016	Friel, Jr.	D7/312
D774,828	S	*	12/2016	Miller	D7/523
D796,907	S	*	9/2017	Bronwasser	D7/533

* cited by examiner

Related U.S. Application Data

- (62) Division of application No. 29/523,252, filed on Apr. 8, 2015, now Pat. No. Des. 773,321.

Primary Examiner — Daniel Bui

Assistant Examiner — Andrew Kerr

(74) *Attorney, Agent, or Firm* — Foley & Lardner LLP

(30) **Foreign Application Priority Data**

- Oct. 10, 2014 (EM) 002554758-0001
- Oct. 10, 2014 (EM) 002554758-0003
- Oct. 10, 2014 (EM) 002554758-0008

(57) **CLAIM**

I claim the ornamental design for a pot, as shown and described.

(51) **LOC (11) Cl.** **07-01**

(52) **U.S. Cl.**
USPC **D7/321**

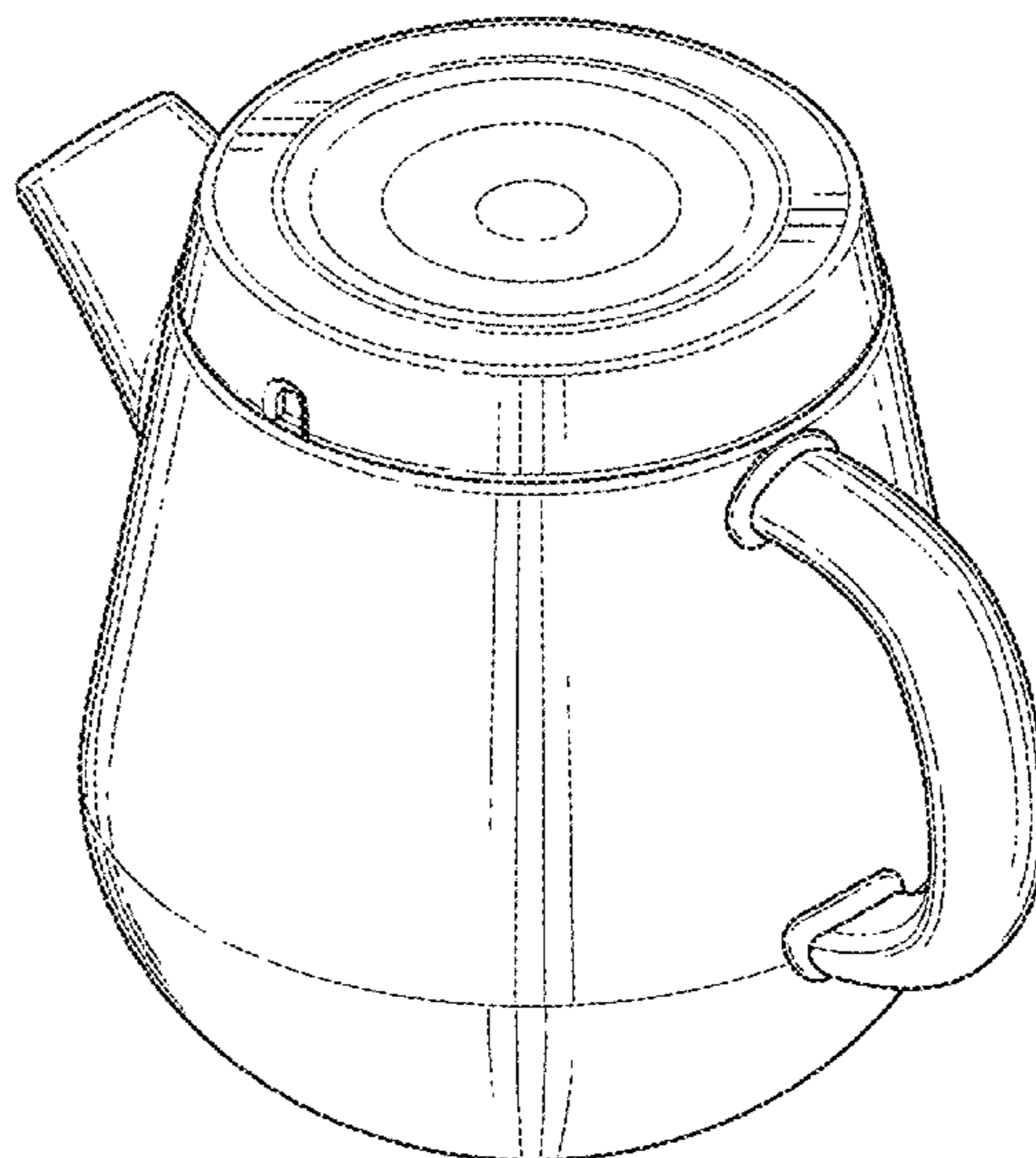
(58) **Field of Classification Search**
USPC D7/300, 302, 303, 305, 397, 399,
D7/316–319, 321, 600, 602, 619.1;
D9/516, 523, 524, 527, 528; D23/212
CPC A47J 27/21058; A47J 31/40; A47J 31/41;
A47G 19/12; A47G 19/14; A47G 19/145;
B01D 35/02; B65D 47/06

DESCRIPTION

FIG. 1 is a front perspective view of a pot showing my new design;
FIG. 2 is a front view thereof;
FIG. 3 is a rear view thereof;
FIG. 4 is a left side elevation view thereof;
FIG. 5 is a right side elevation view thereof;
FIG. 6 is a top plan view thereof; and,
FIG. 7 is a bottom plan view thereof.

See application file for complete search history.

1 Claim, 6 Drawing Sheets



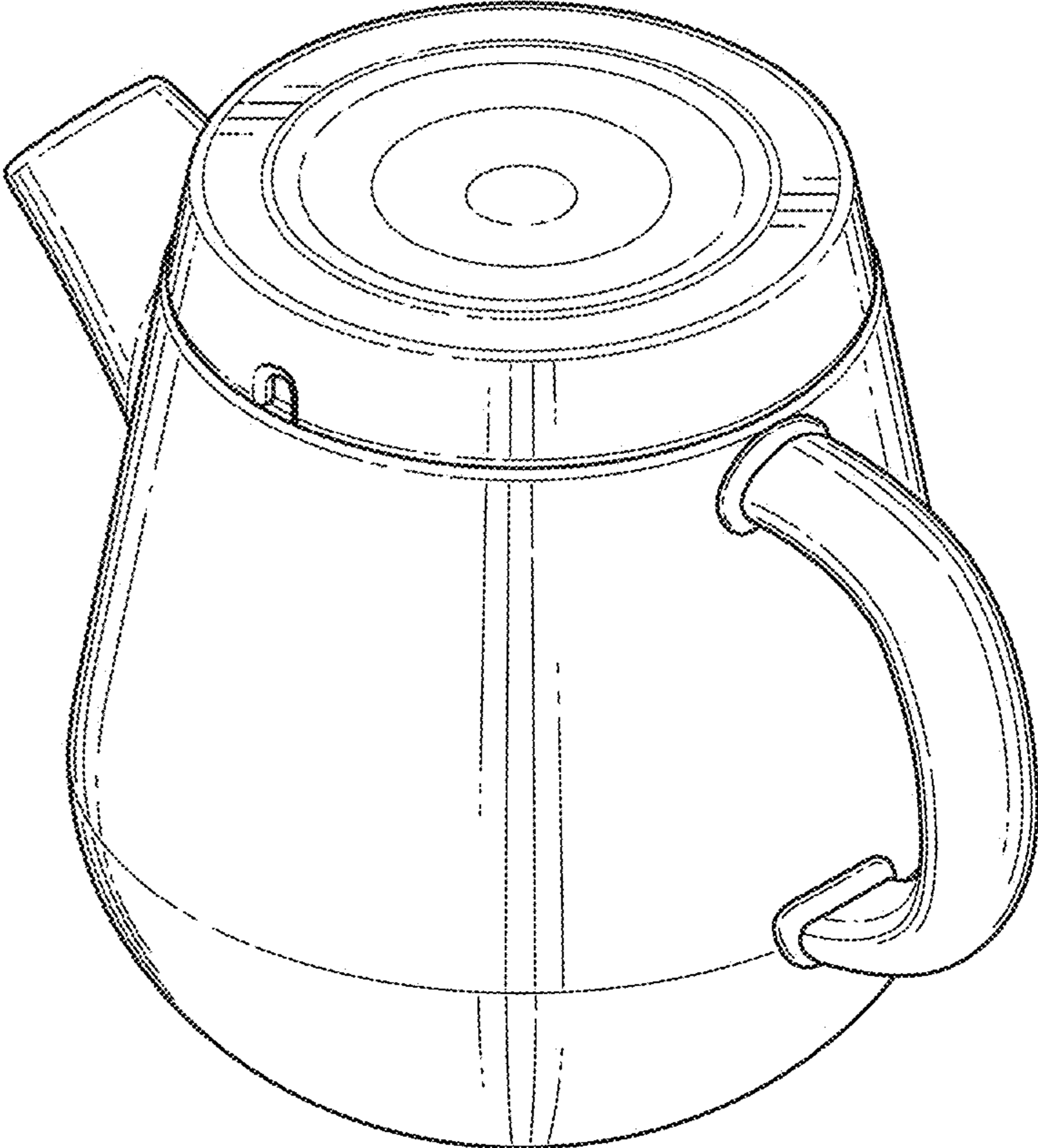


FIG. 1

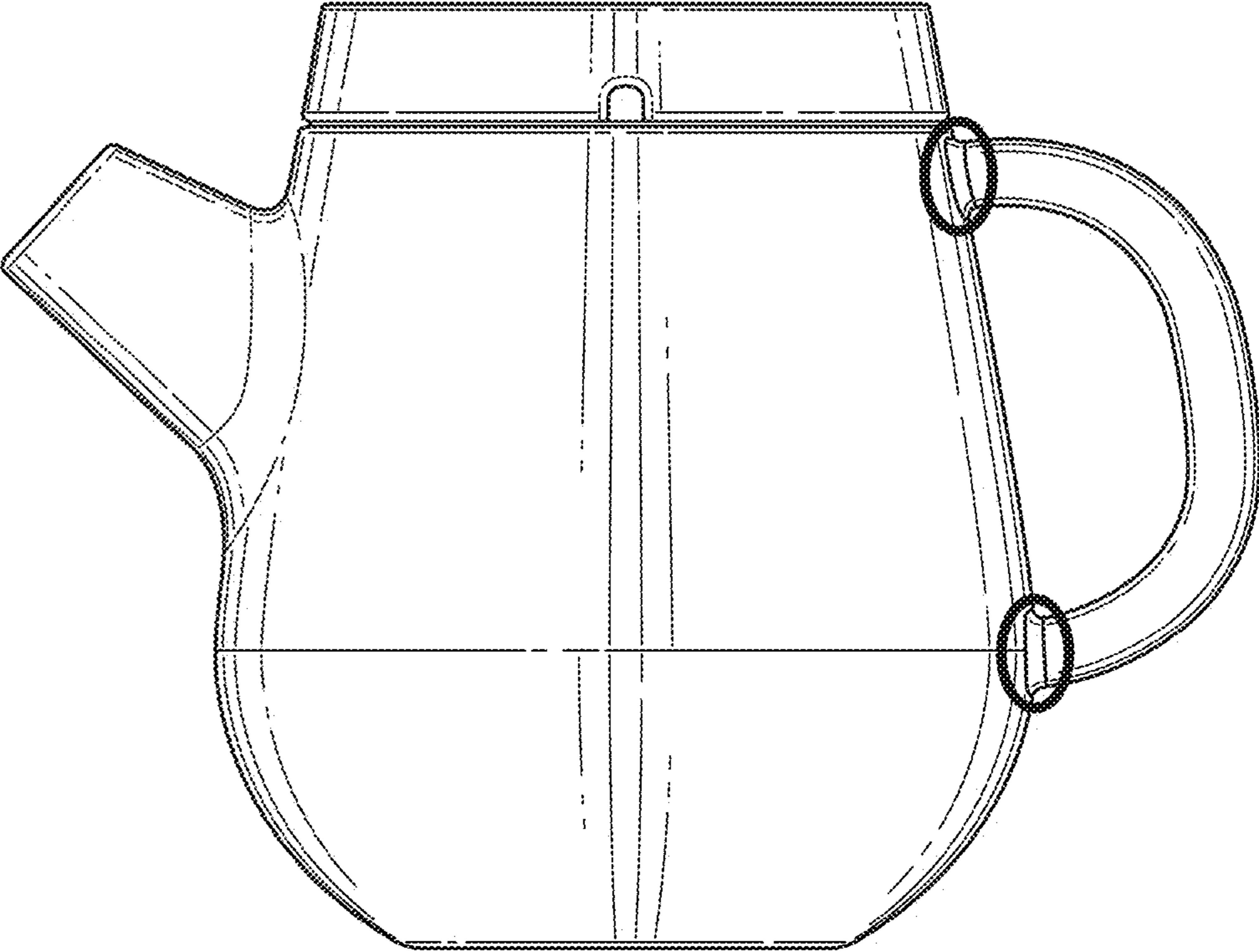


FIG. 2

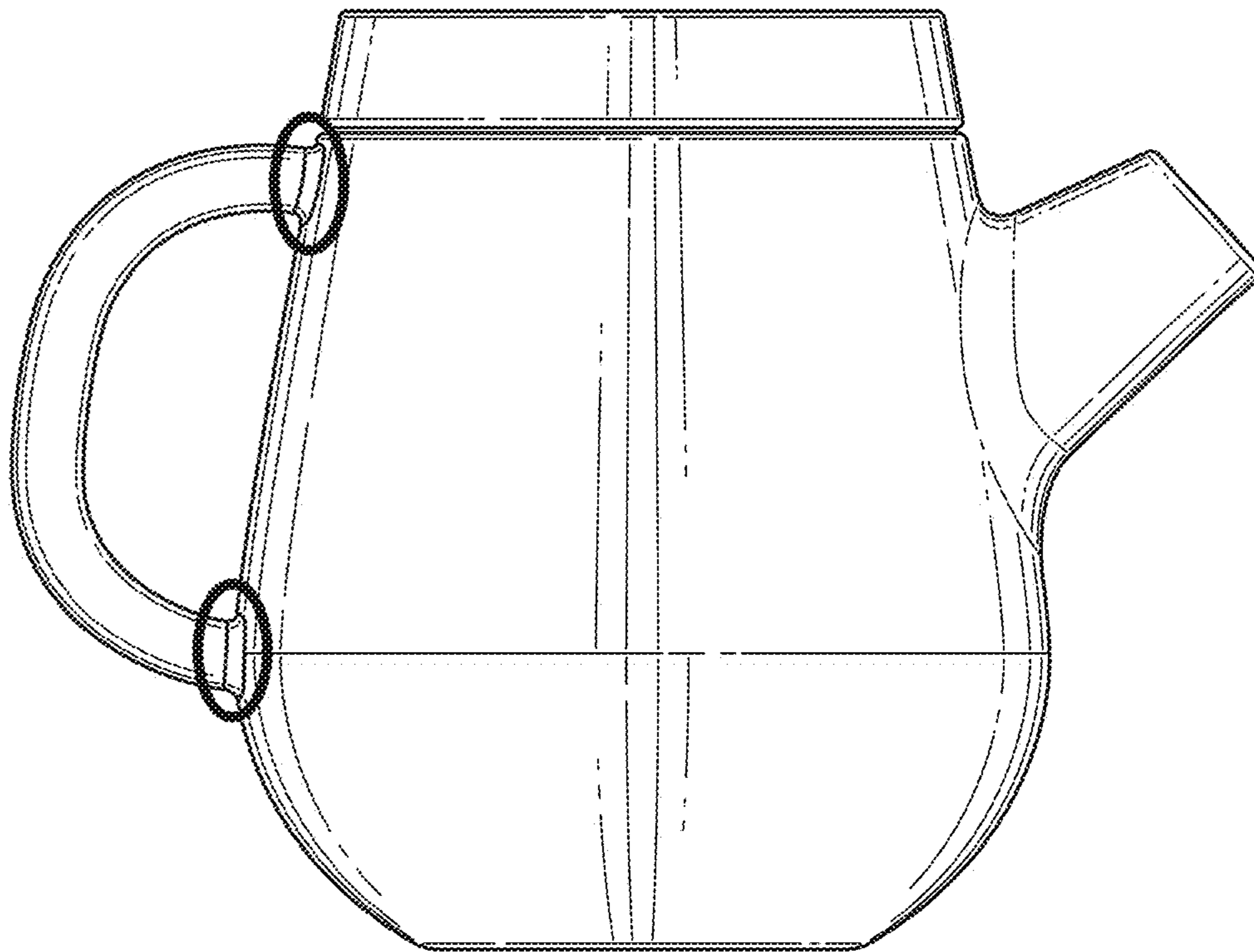


FIG. 3

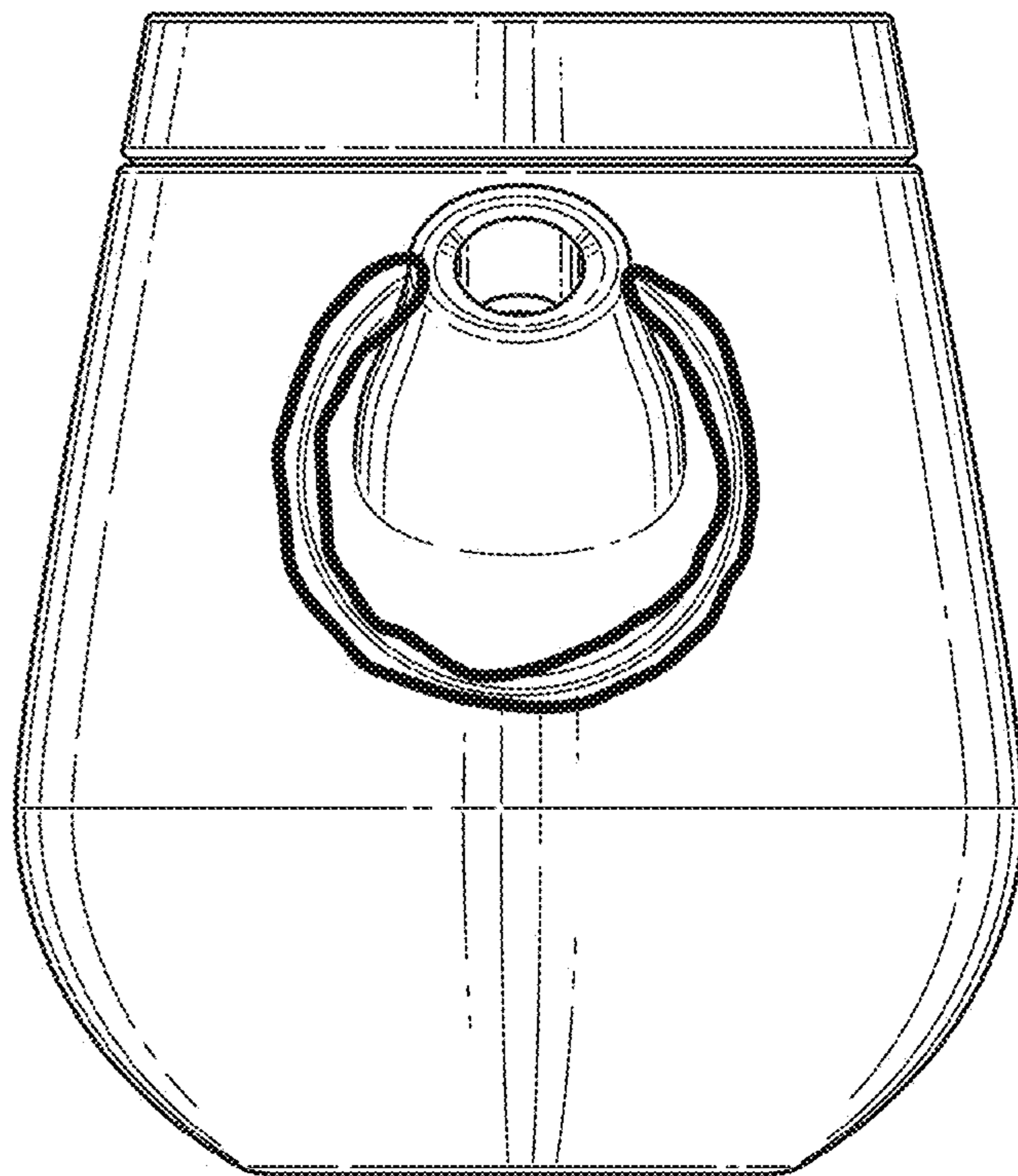


FIG. 4

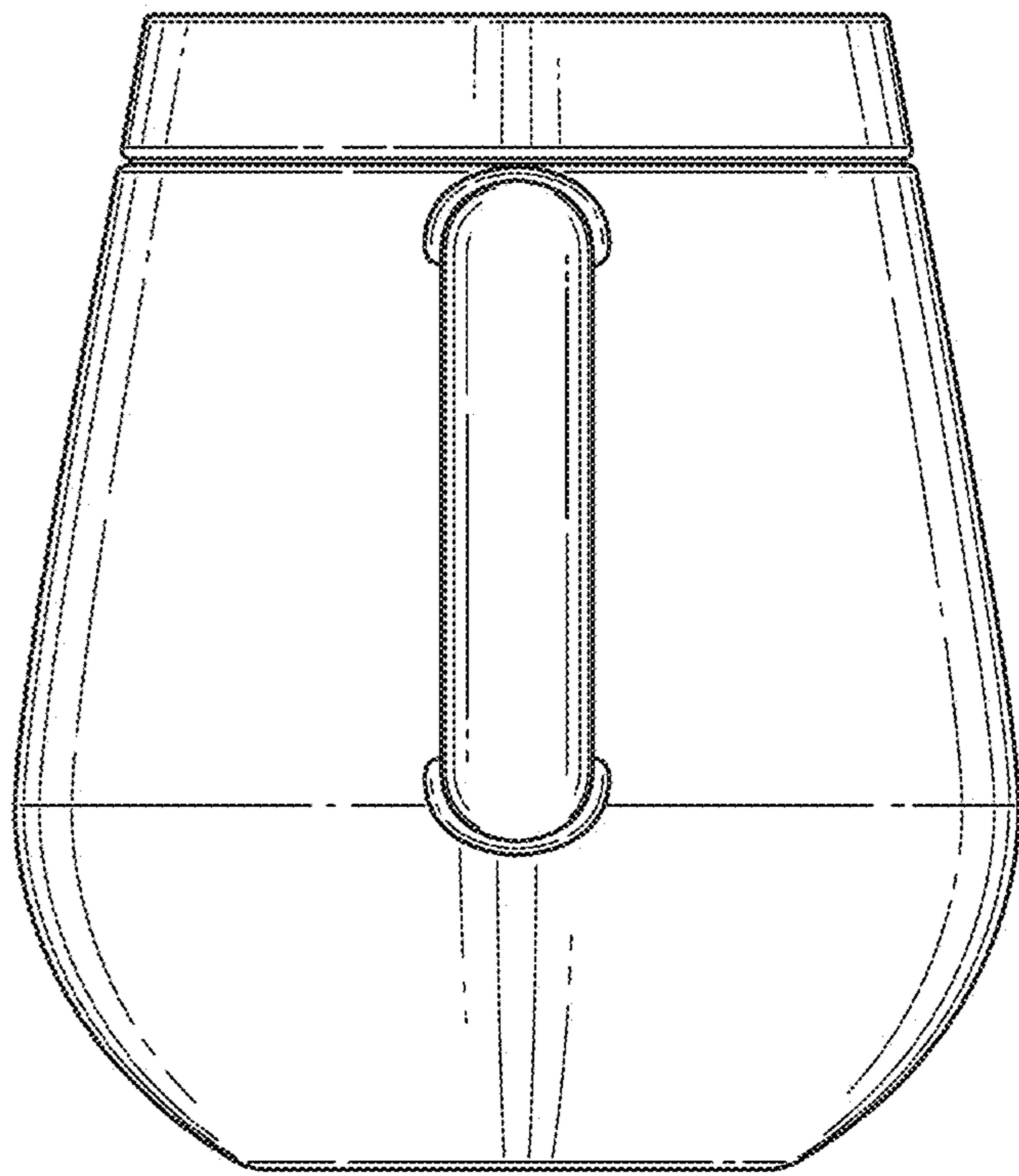


FIG. 5

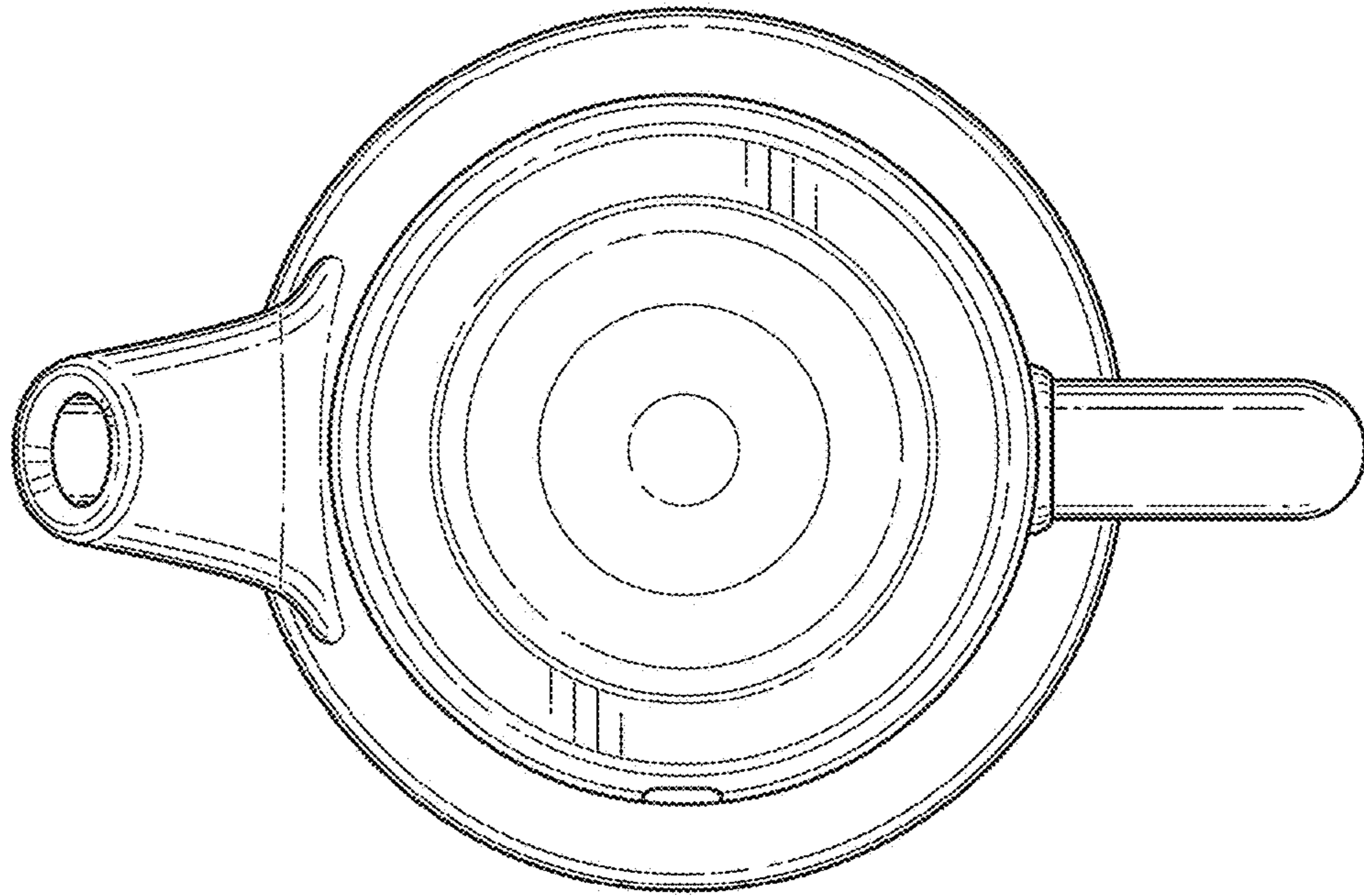


FIG. 6

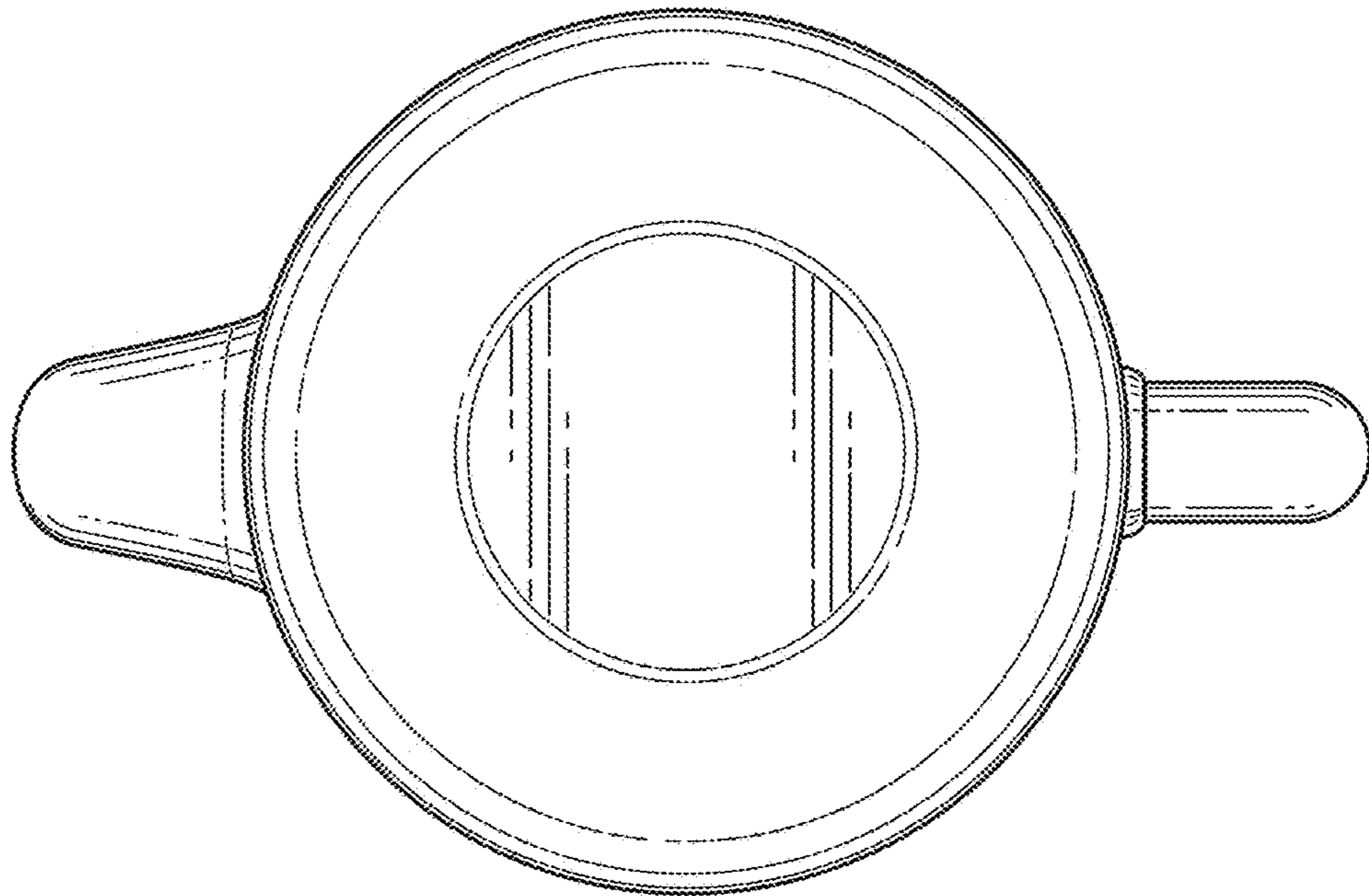


FIG. 7