

US00D833795S

(12) **United States Design Patent** (10) **Patent No.:** **US D833,795 S**
Bell et al. (45) **Date of Patent:** **** Nov. 20, 2018**

(54) **WATER PITCHER**
(71) Applicant: **Brita LP**, Oakland, CA (US)
(72) Inventors: **Russell E. Bell**, Pleasanton, CA (US);
Brett Z. Green, Pleasanton, CA (US);
Elliot L. Ortiz, San Jose, CA (US);
Dan Harden, San Jose, CA (US);
Piercy Yau, Causeway Bay (HK)

D632,520 S 2/2011 Bell et al.
D640,346 S 6/2011 Sheppard et al.
D663,567 S * 7/2012 Littmann D7/317
D677,360 S 3/2013 Sheppard et al.
D680,789 S * 4/2013 Bell D7/317
D680,790 S 4/2013 Bell et al.
D680,791 S * 4/2013 Bell D7/317
2007/0209981 A1* 9/2007 Moretto B01D 35/143
210/121
2007/0209984 A1* 9/2007 Lev C02F 1/003
210/143

(73) Assignee: **Brita LP**, Oakland, CA (US)

FOREIGN PATENT DOCUMENTS

(**) Term: **15 Years**

EM 002820035 10/2015

(21) Appl. No.: **29/601,022**

* cited by examiner

(22) Filed: **Apr. 18, 2017**

Primary Examiner — Derrick E Holland

(51) **LOC (11) Cl.** **07-01**

Assistant Examiner — Andrew Kerr

(52) **U.S. Cl.** **D7/318**

(74) *Attorney, Agent, or Firm* — Thomas C. Feix; Stacy H. Combs

USPC **D7/318**

(58) **Field of Classification Search**

(57) **CLAIM**

USPC D7/300, 302, 303, 305, 397, 399,
D7/316–319, 321, 600, 602, 619.1;
D9/516, 523, 524, 527, 528; D23/212
CPC A47J 27/21058; A47J 31/40; A47J 31/41;
A47G 19/12; A47G 19/14; A47G 19/145;
B01D 35/02; B65D 47/06
See application file for complete search history.

The ornamental design for a water pitcher, as shown and described.

DESCRIPTION

(56) **References Cited**

FIG. 1 is a front perspective view of a water pitcher of the present invention;
FIG. 2 is a top view thereof;
FIG. 3 is a bottom view thereof;
FIG. 4 is a left side view thereof,
FIG. 5 is a right side view thereof,
FIG. 6 is a front side view thereof; and,
FIG. 7 is a back side view thereof.

U.S. PATENT DOCUMENTS

D436,790 S * 1/2001 Saltet D7/317
D523,280 S 6/2006 Bertulis
D584,912 S 1/2009 Green et al.
D586,605 S 2/2009 Ma et al.
D587,957 S 3/2009 Imai
D604,088 S * 11/2009 Bursztein D7/317
D623,465 S 9/2010 Sheppard et al.
D626,778 S 11/2010 Bell et al.

The broken lines in the figures are for the purpose of illustrating environmental structure and form no part of the claimed design.

1 Claim, 6 Drawing Sheets

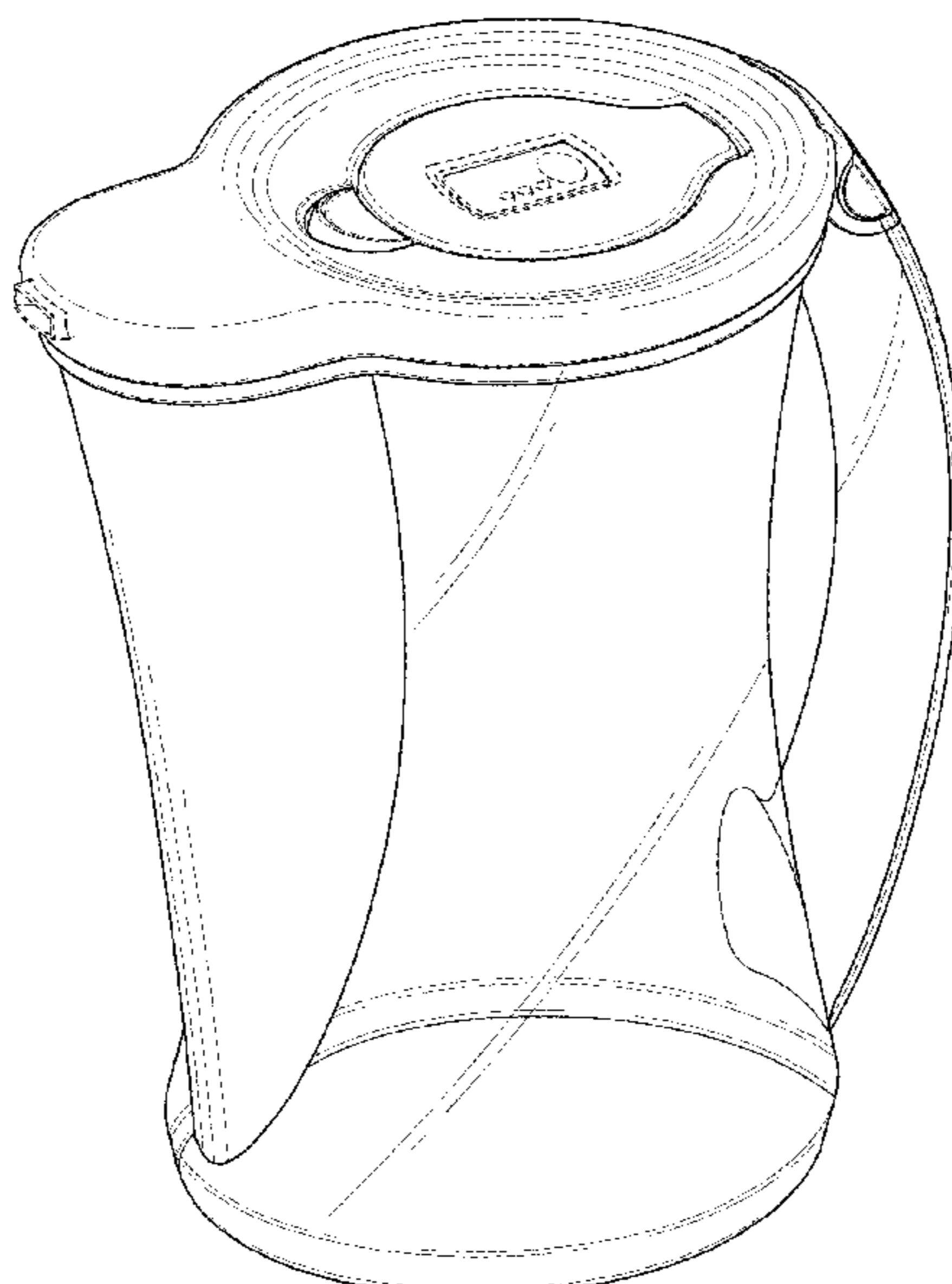




FIG. 1

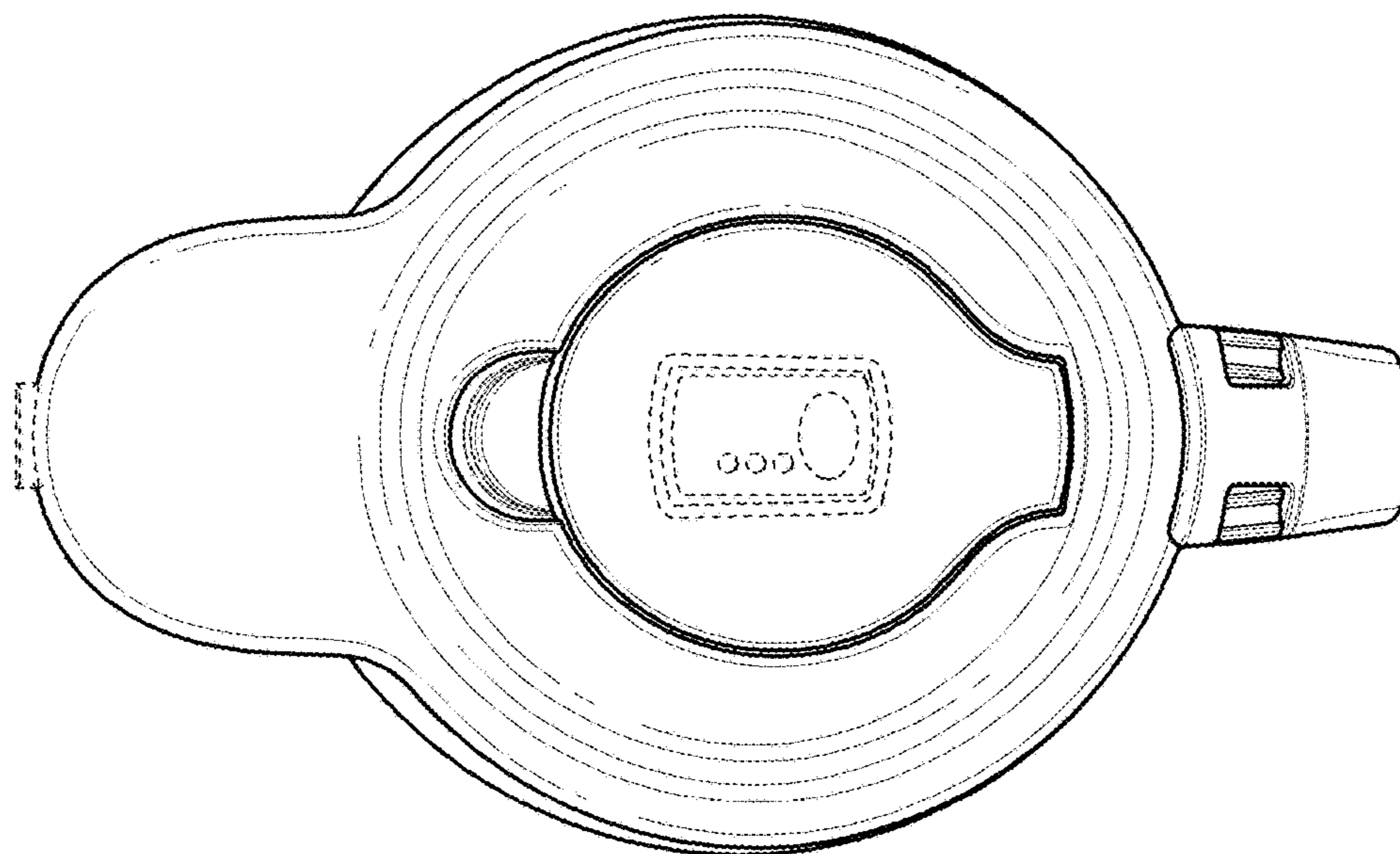


FIG. 2

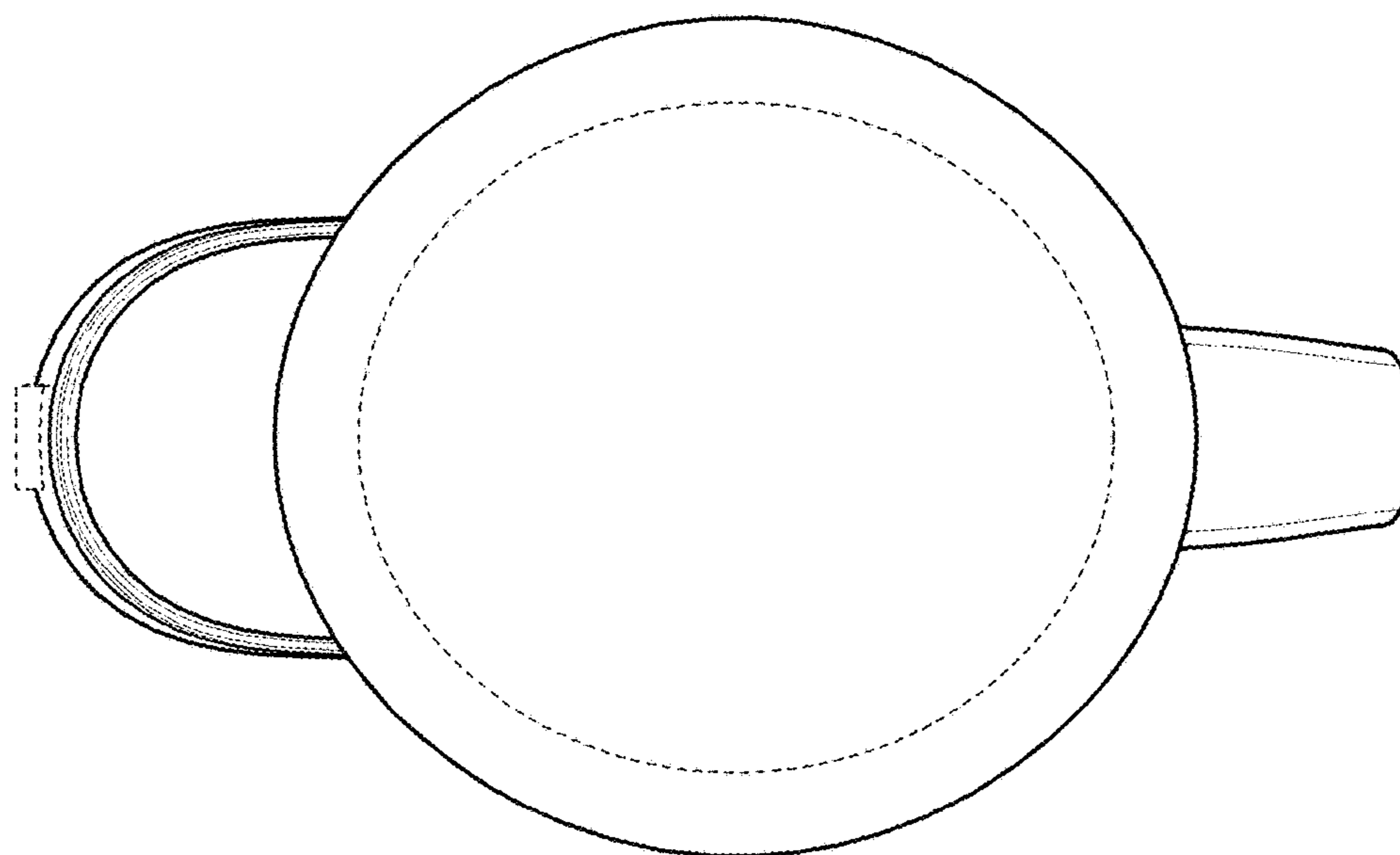


FIG. 3

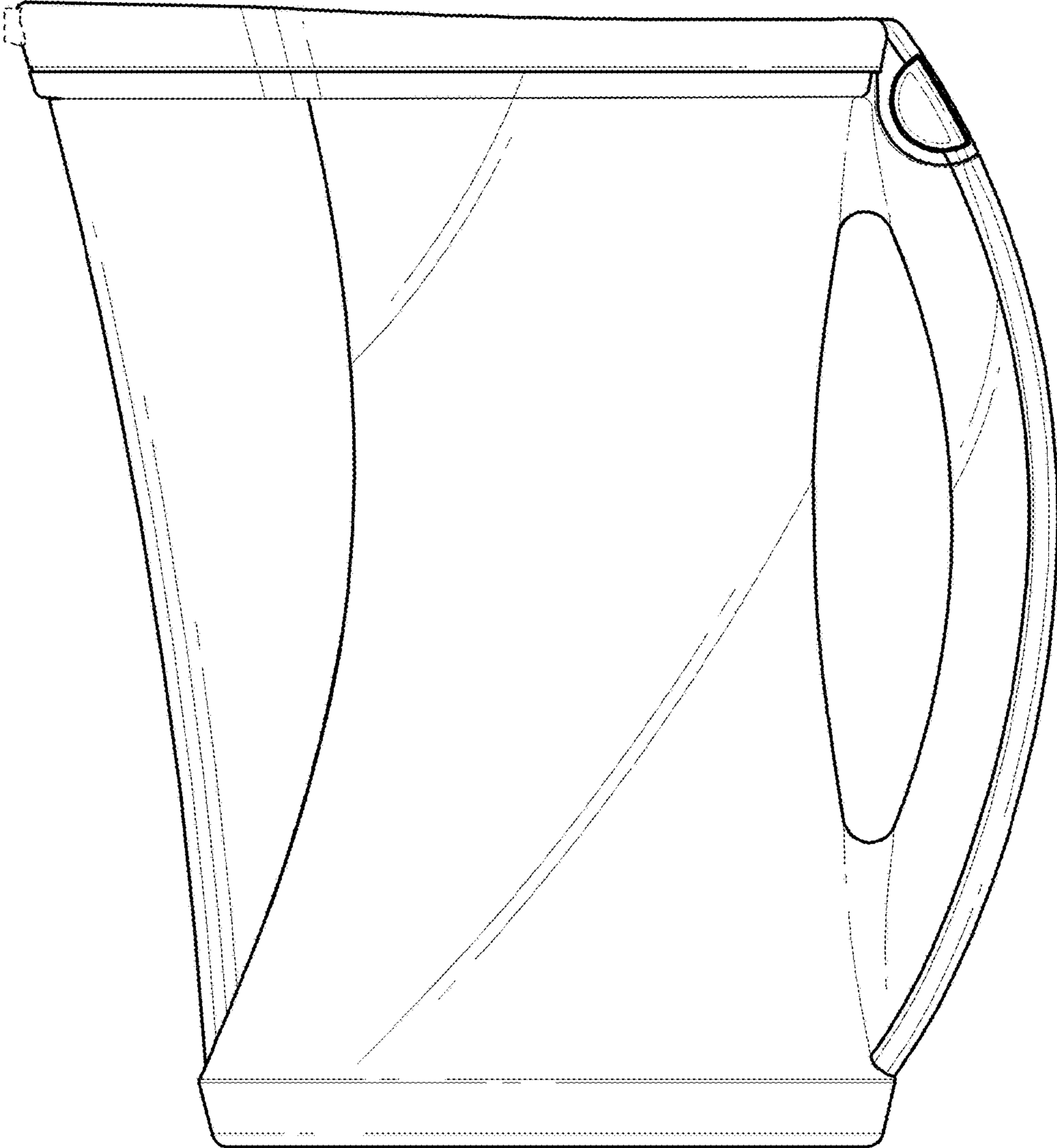


FIG. 4

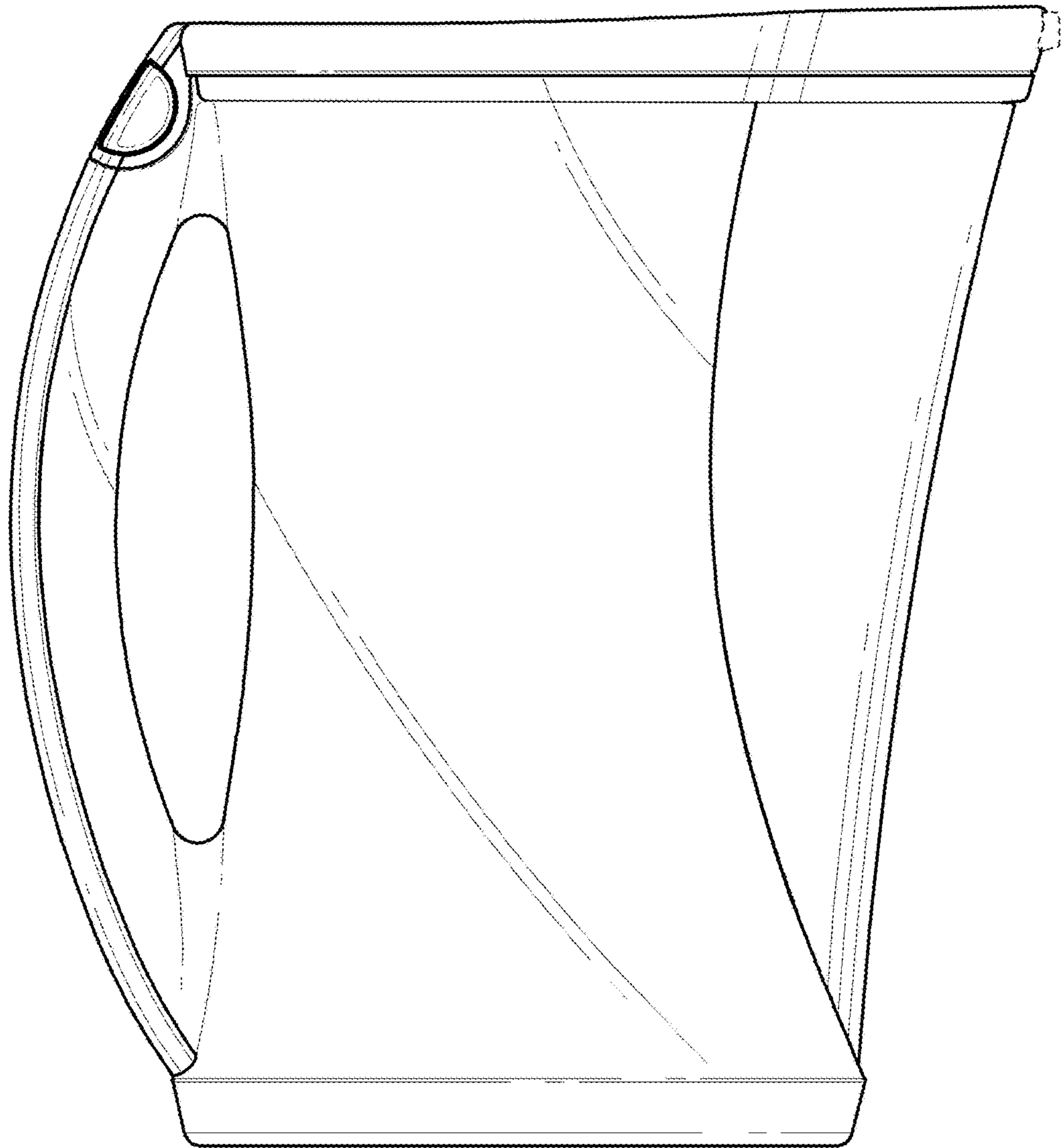


FIG. 5

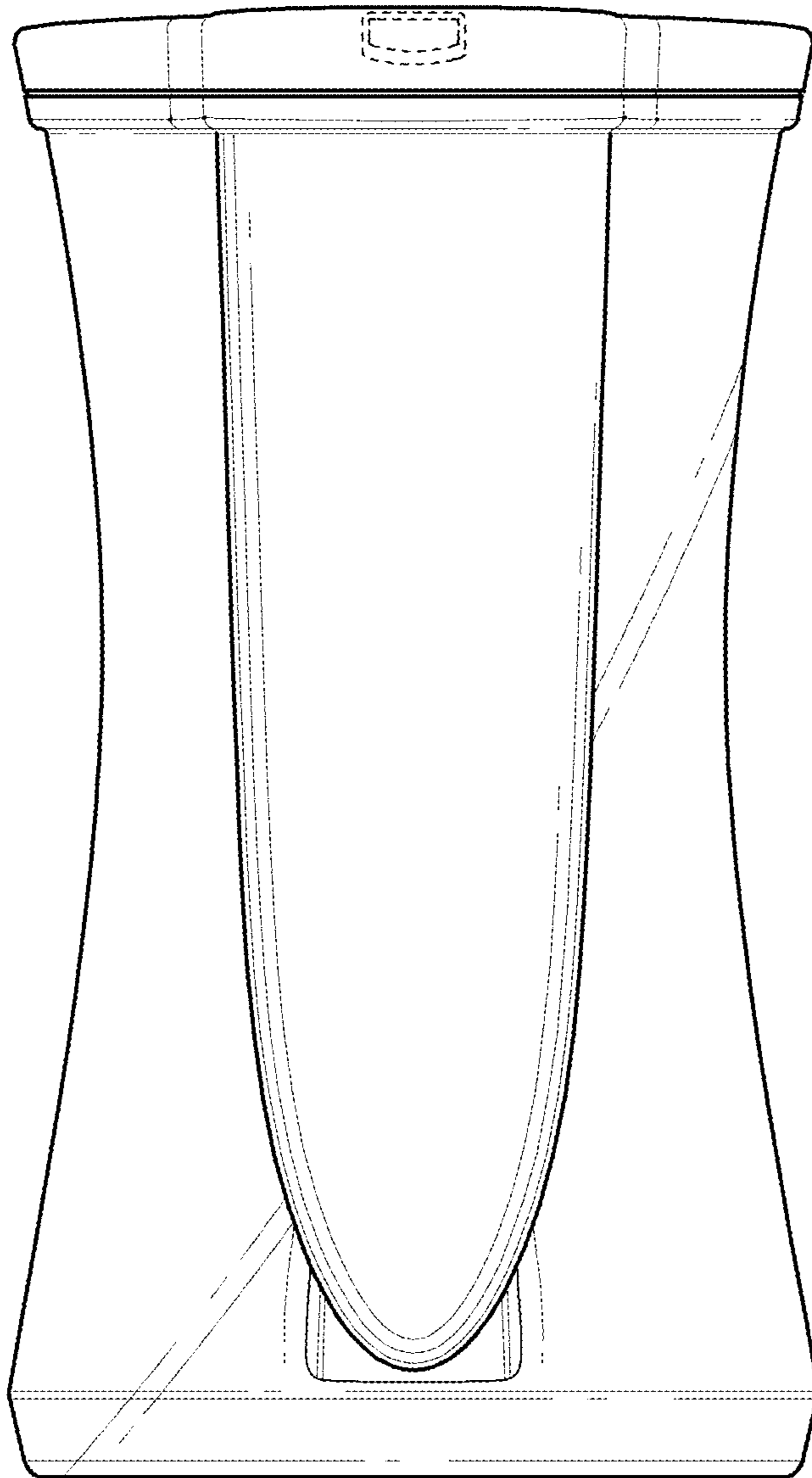


FIG. 6

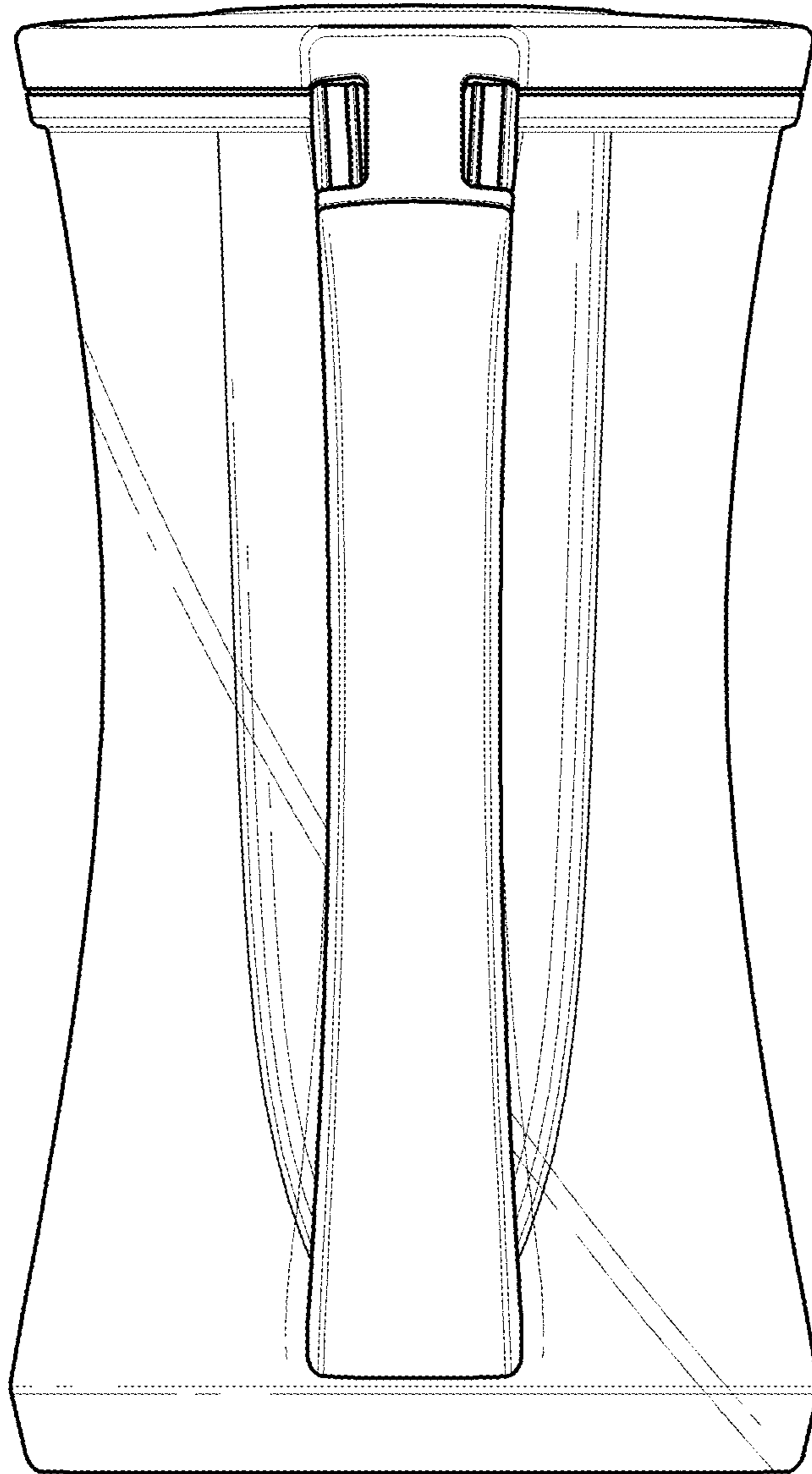


FIG. 7