

US00D833794S

(12) **United States Design Patent** (10) **Patent No.:** **US D833,794 S**
Cuffaro (45) **Date of Patent:** **** Nov. 20, 2018**

(54) **COFFEE POT**

(71) Applicant: **Daniel F. Cuffaro**, Lakewood, OH (US)

(72) Inventor: **Daniel F. Cuffaro**, Lakewood, OH (US)

(**) Term: **15 Years**

(21) Appl. No.: **29/610,896**

(22) Filed: **Jul. 17, 2017**

(51) **LOC (11) Cl.** **07-01**

(52) **U.S. Cl.**
USPC **D7/317; D7/318**

(58) **Field of Classification Search**
USPC D7/316-322, 598, 600, 310, 536, 507;
222/188, 465.1, 713; D23/209; 99/285,
99/304, 292
CPC A47J 31/106; A47J 31/50; A47J 45/0077;
A47J 31/053; A47J 31/20; A47J 31/02;
A47J 45/10; A47J 31/14; A47J 411/02;
A47J 31/38; A47J 31/306; A47G 3/0471;
A47G 19/12

See application file for complete search history.

(56) **References Cited**

U.S. PATENT DOCUMENTS

- 1,362,616 A * 12/1920 Galt A47J 31/02
99/319
- 5,570,623 A * 11/1996 Lin A47J 31/20
99/285
- 8,757,049 B2 * 6/2014 Giessler A47J 31/0615
99/306
- D769,046 S * 10/2016 Beckman B65D 25/28
D7/300
- 9,510,705 B2 * 12/2016 Rolfes A47J 31/38
- 9,591,942 B2 * 3/2017 Chiu A47J 31/24
- D783,334 S * 4/2017 Kotani D7/317
- 2016/0029831 A1 * 2/2016 Beckman A23F 5/262
426/433

2017/0181567 A1* 6/2017 Martija A47J 31/20

* cited by examiner

Primary Examiner — Marianne Pandozzi

(74) *Attorney, Agent, or Firm* — Ulmer & Berne LLP

(57) **CLAIM**

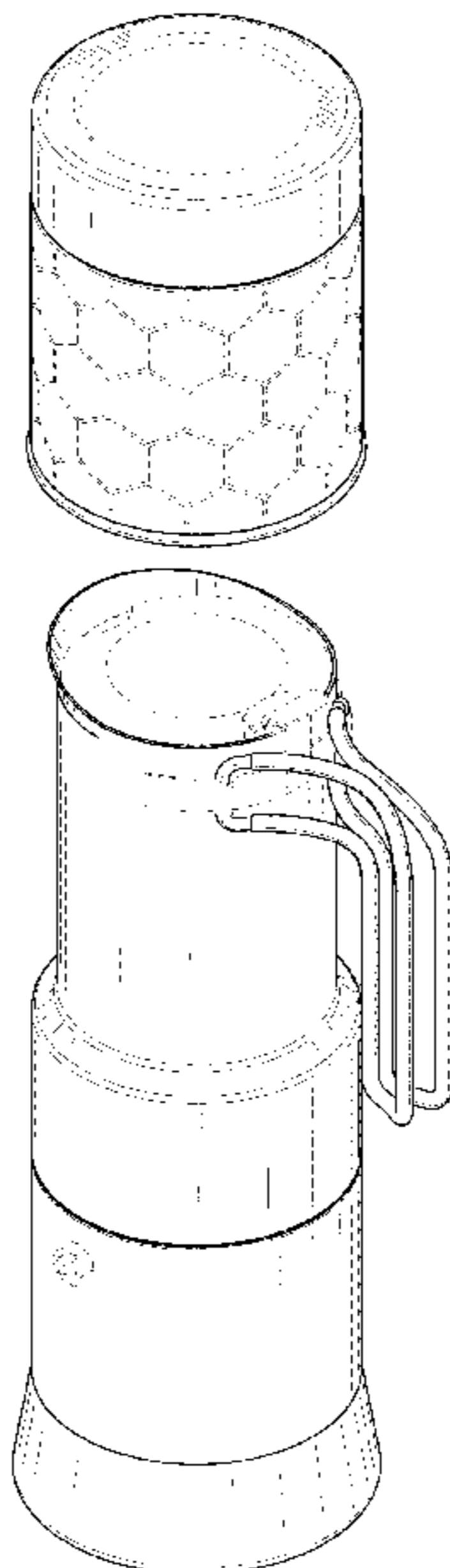
The ornamental design for a coffee pot, as shown and described.

DESCRIPTION

FIG. 1 is a perspective view of a coffee pot showing my new design in a closed configuration;
 FIG. 2 is a bottom perspective view thereof;
 FIG. 3 is a right side view thereof;
 FIG. 4 is a left side view thereof;
 FIG. 5 is a front view thereof;
 FIG. 6 is a rear view thereof;
 FIG. 7 is a top plan view thereof;
 FIG. 8 is a bottom plan view thereof;
 FIG. 9 is an exploded perspective view of the coffee pot thereof in a partially opened configuration with handles in folded position;
 FIG. 10 is an exploded right side view thereof;
 FIG. 11 is an exploded left side view thereof;
 FIG. 12 is an exploded front view thereof;
 FIG. 13 is an exploded rear view thereof;
 FIG. 14 is an exploded perspective view thereof in fully opened configuration with handles extended;
 FIG. 15 is an exploded right side view thereof;
 FIG. 16 is an exploded left side view thereof;
 FIG. 17 is an exploded front view thereof; and,
 FIG. 18 is an exploded rear view thereof.

The broken lines in the drawing depict portions of the coffee pot that form no part of the claimed design.

1 Claim, 14 Drawing Sheets



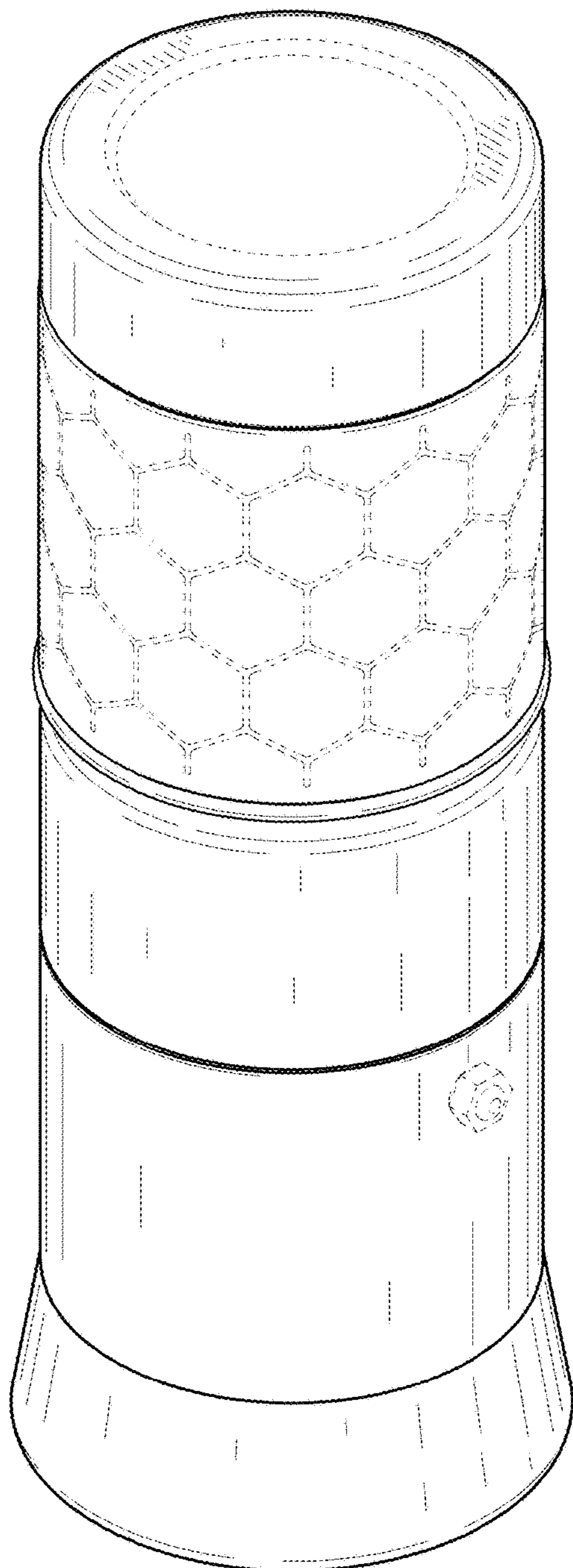


Fig. 1

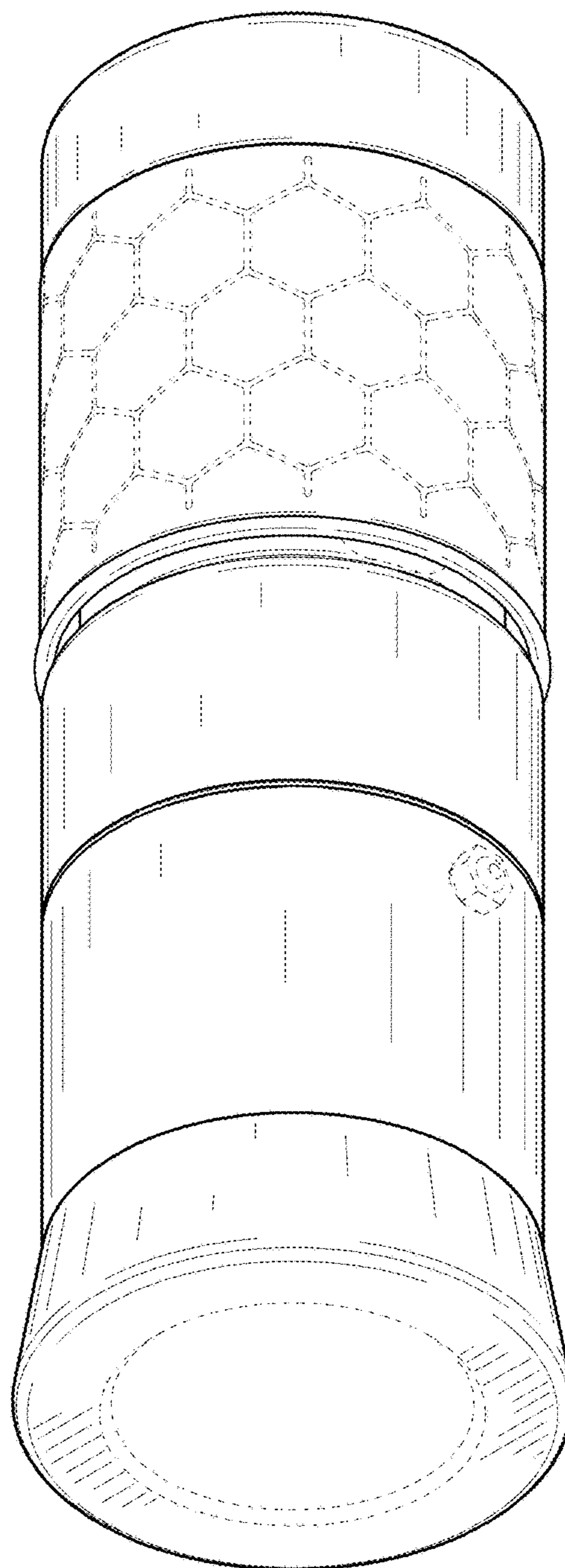


Fig. 2

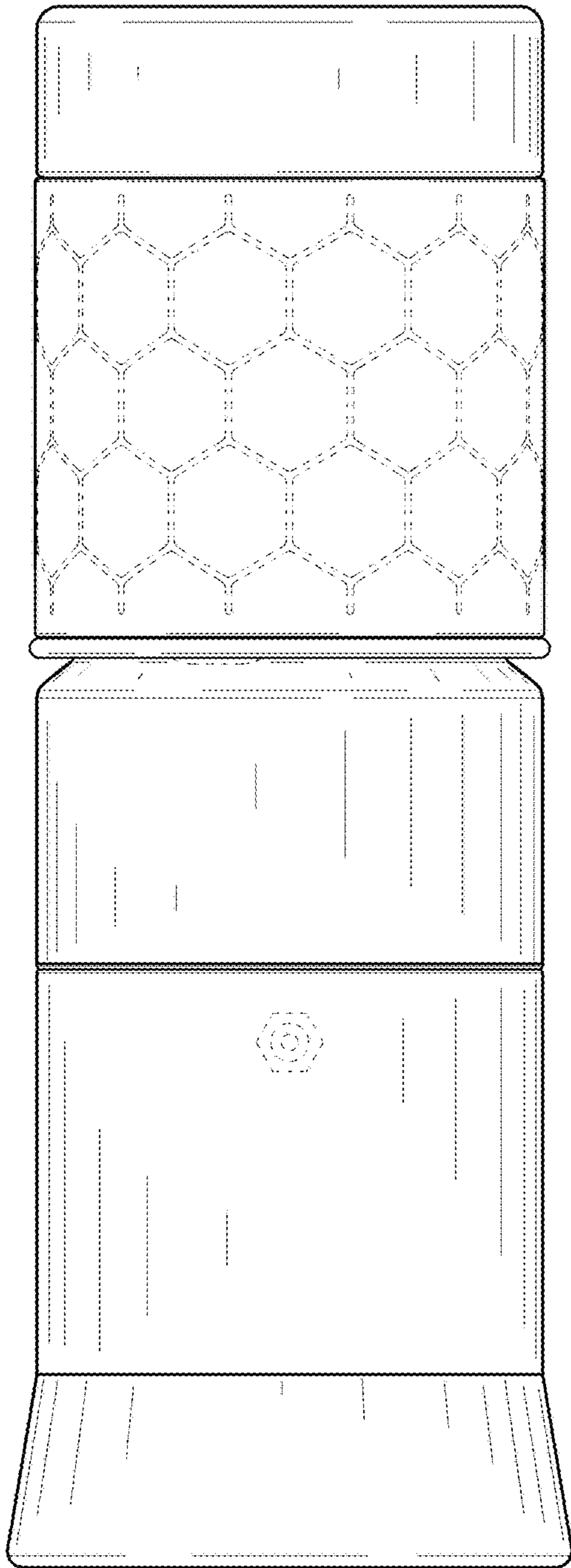


Fig. 3

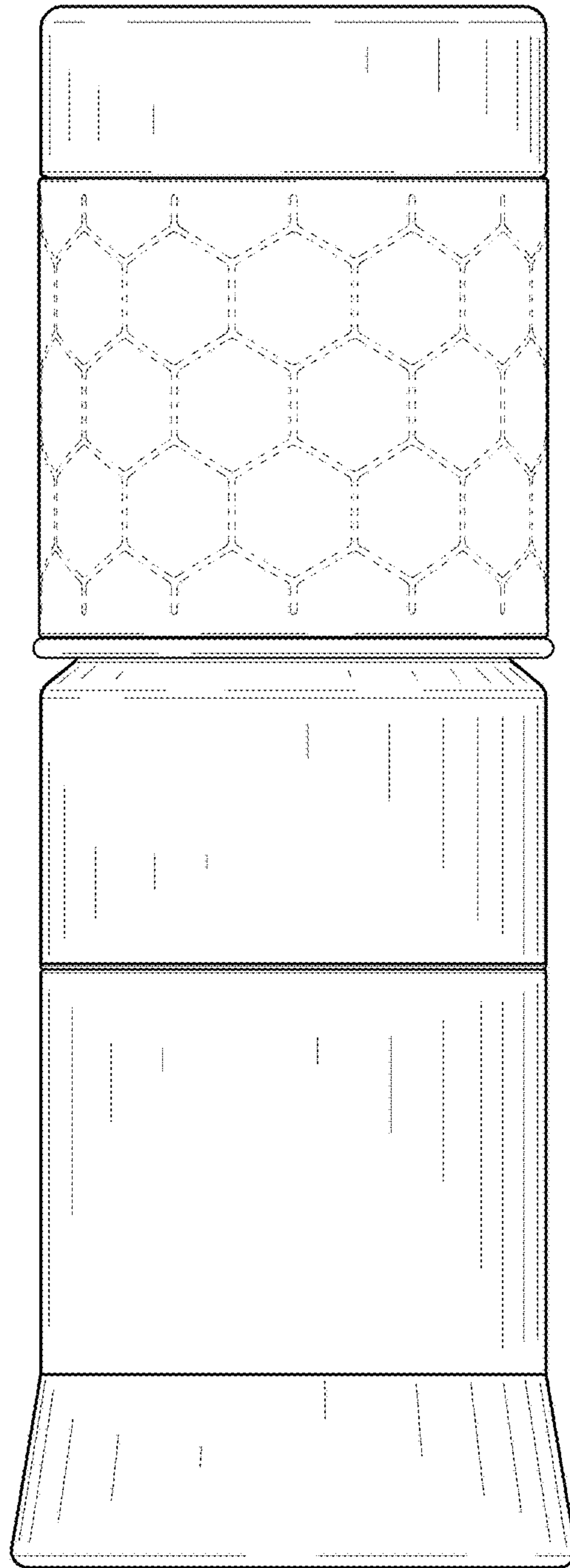


Fig. 4

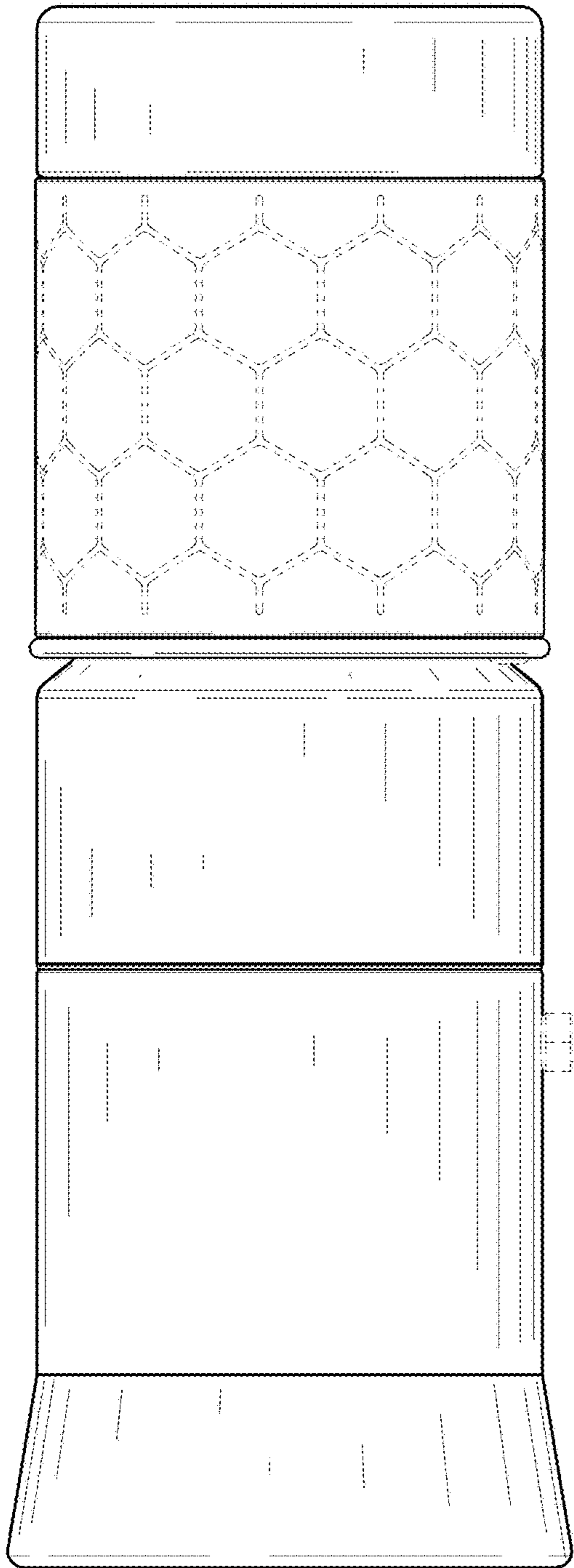


Fig. 5

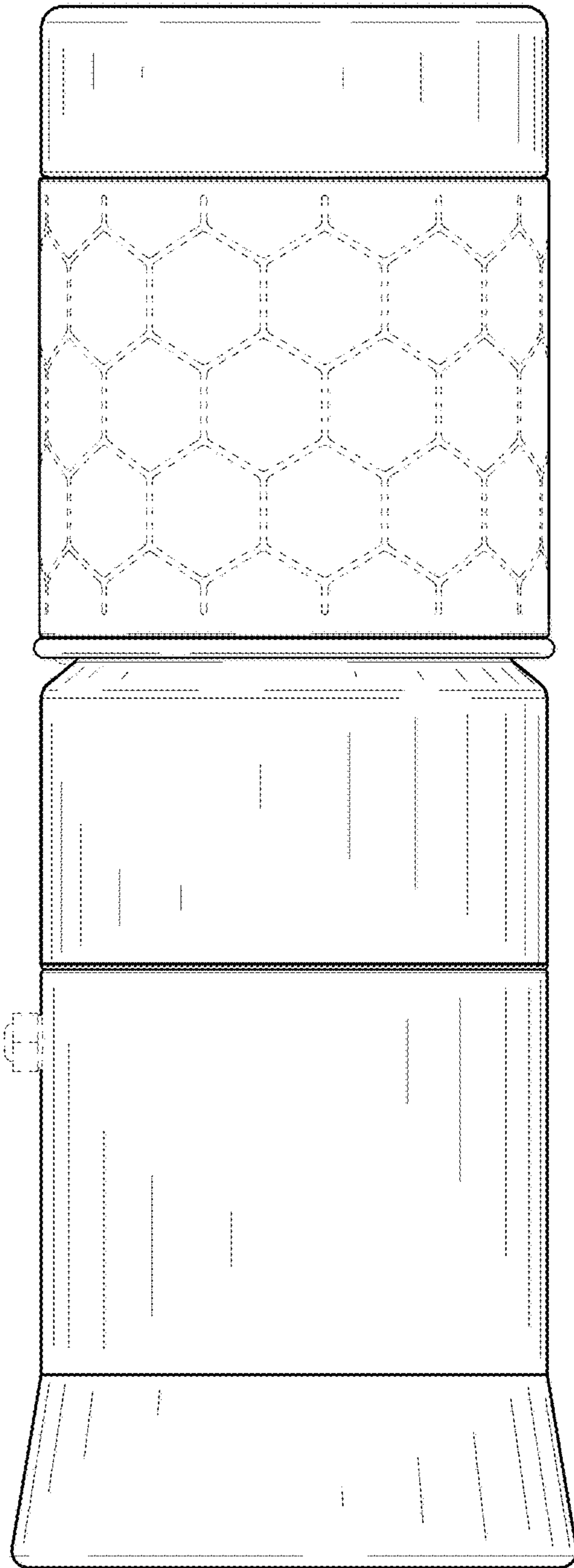


Fig. 6

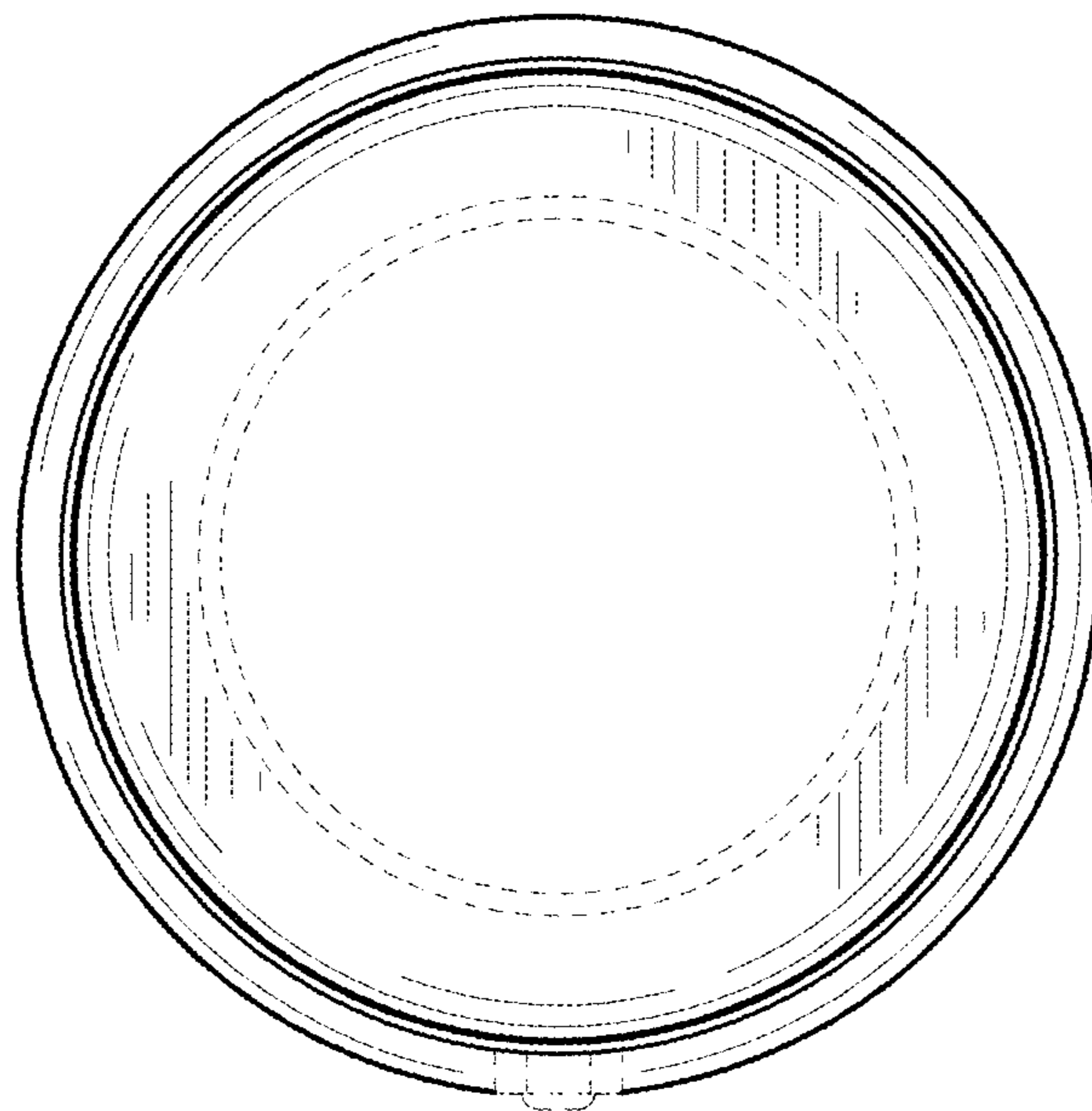


Fig. 7

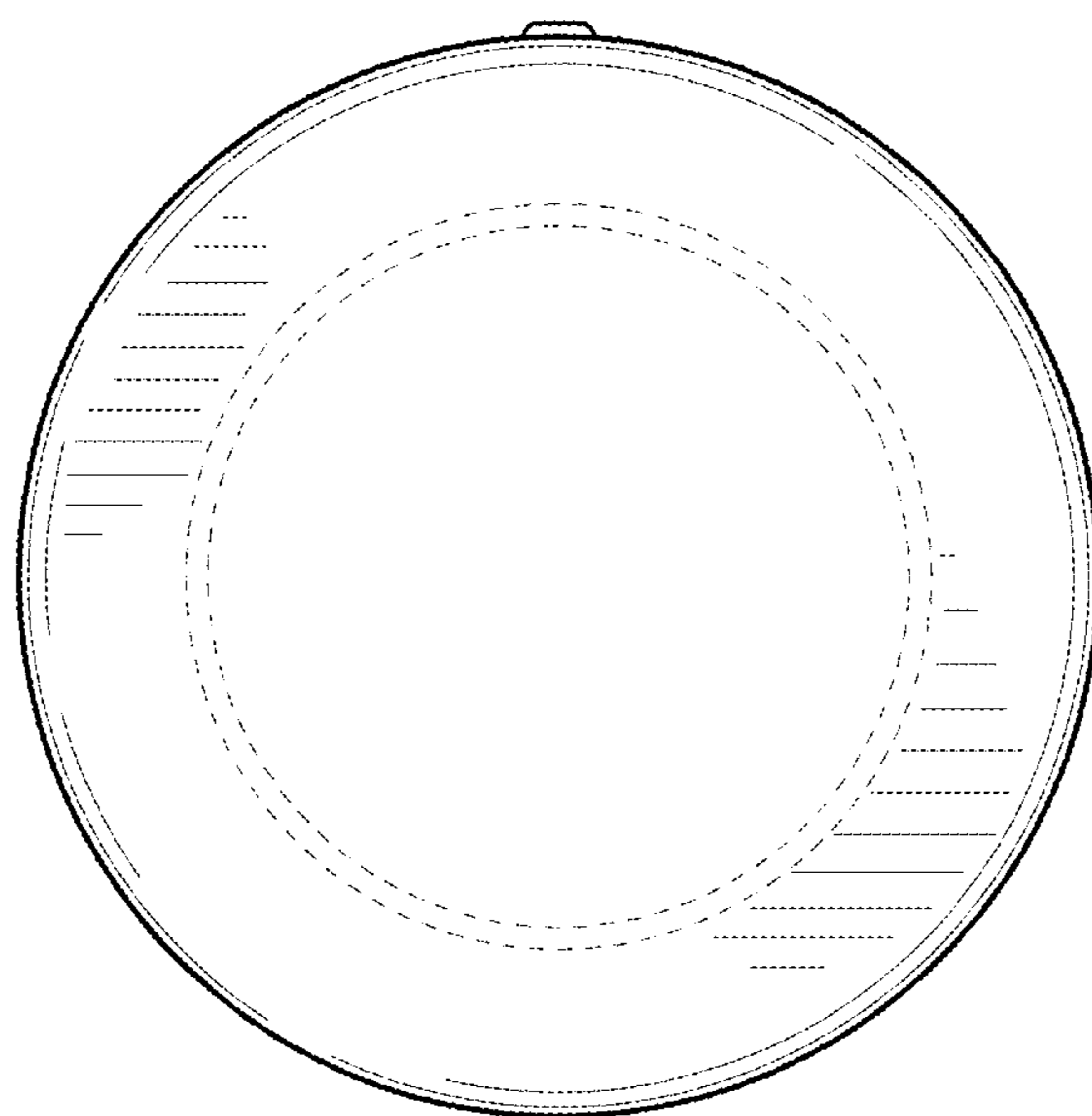


Fig. 8

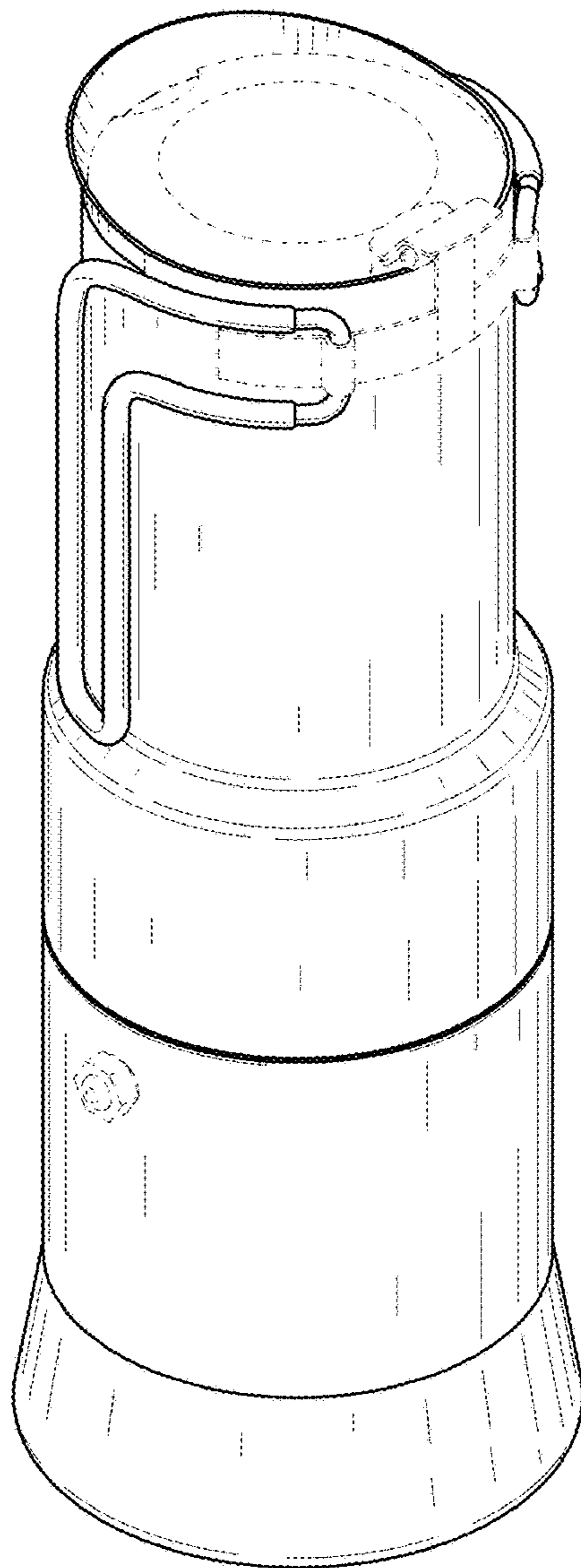
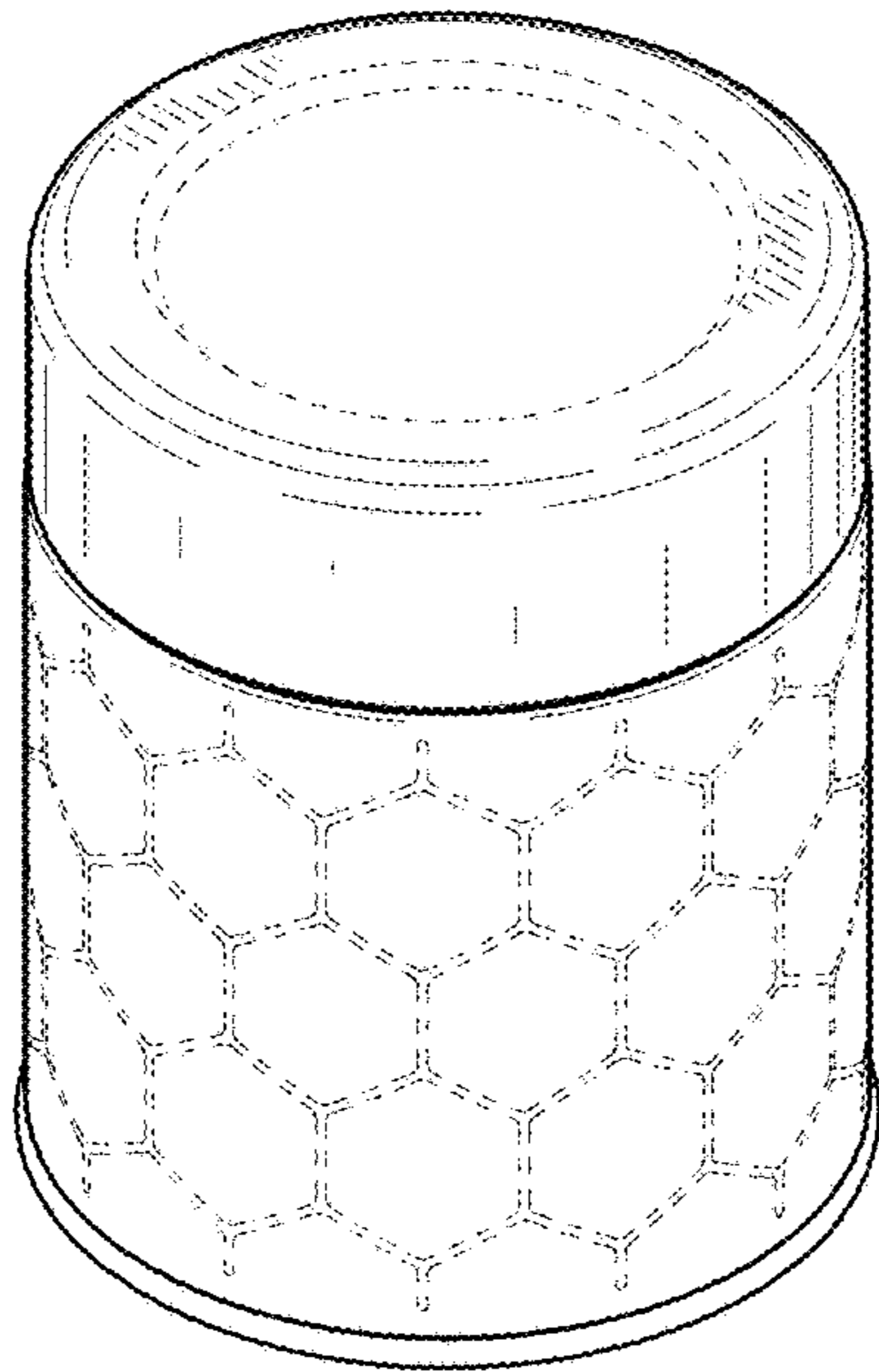


Fig. 9

Fig. 10

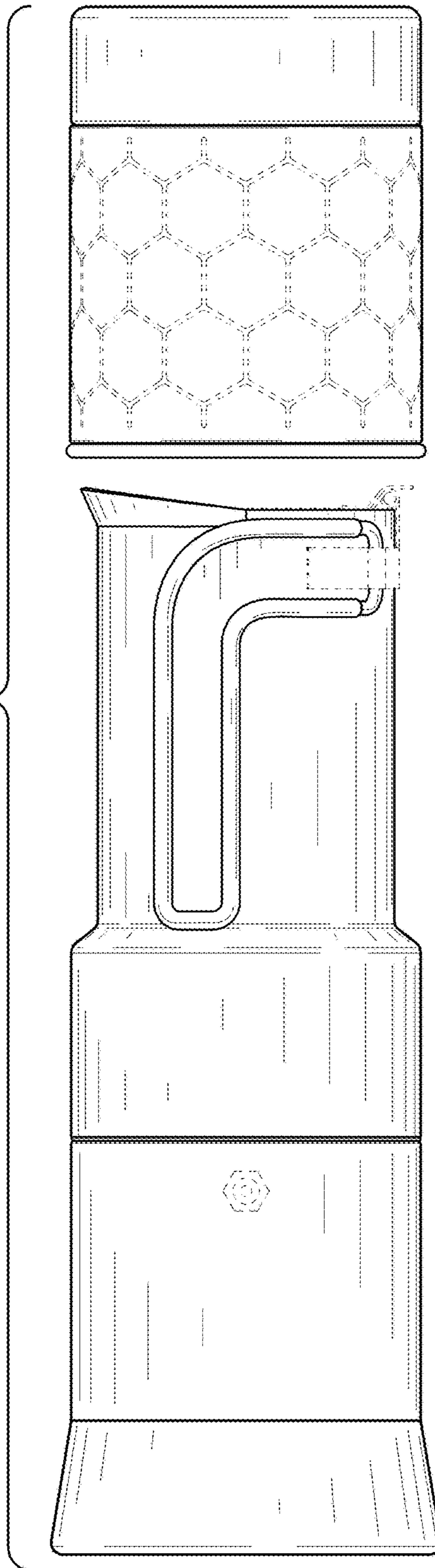


Fig. 11

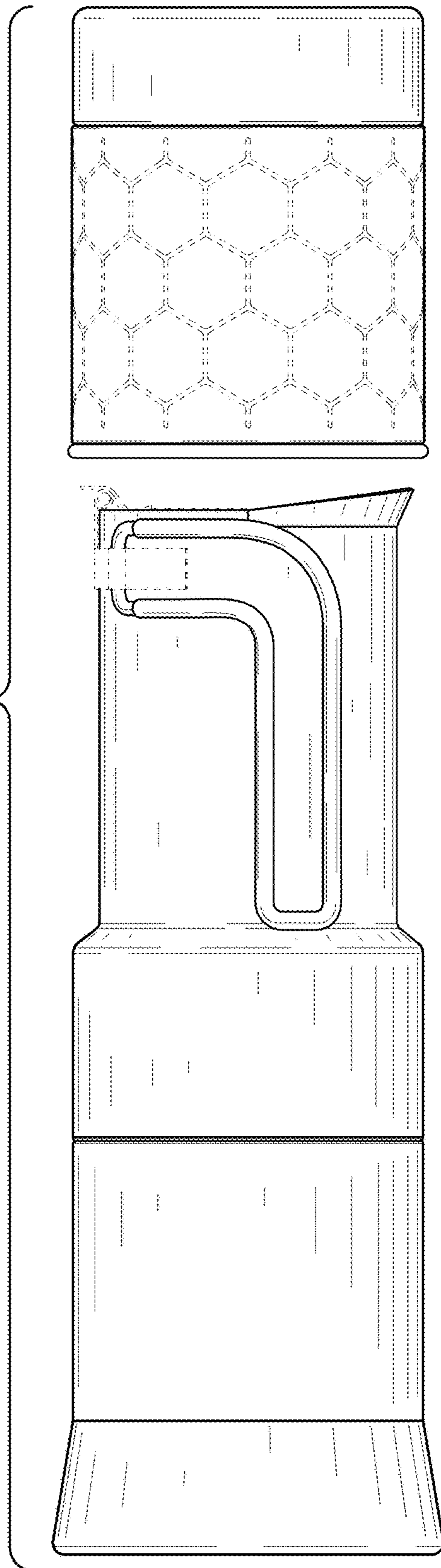


Fig. 12

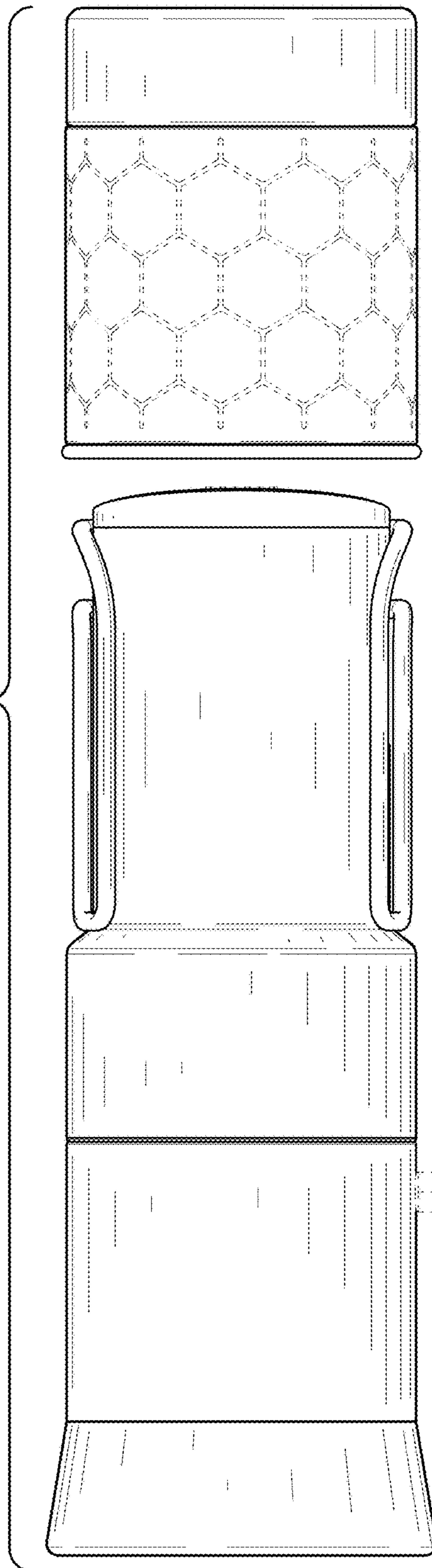
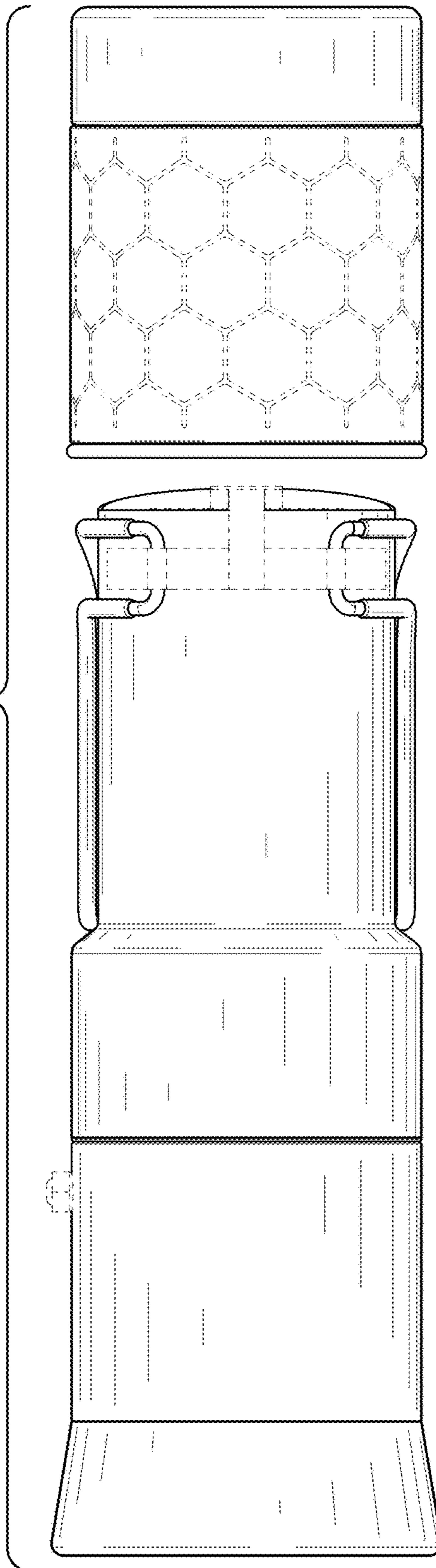


Fig. 13



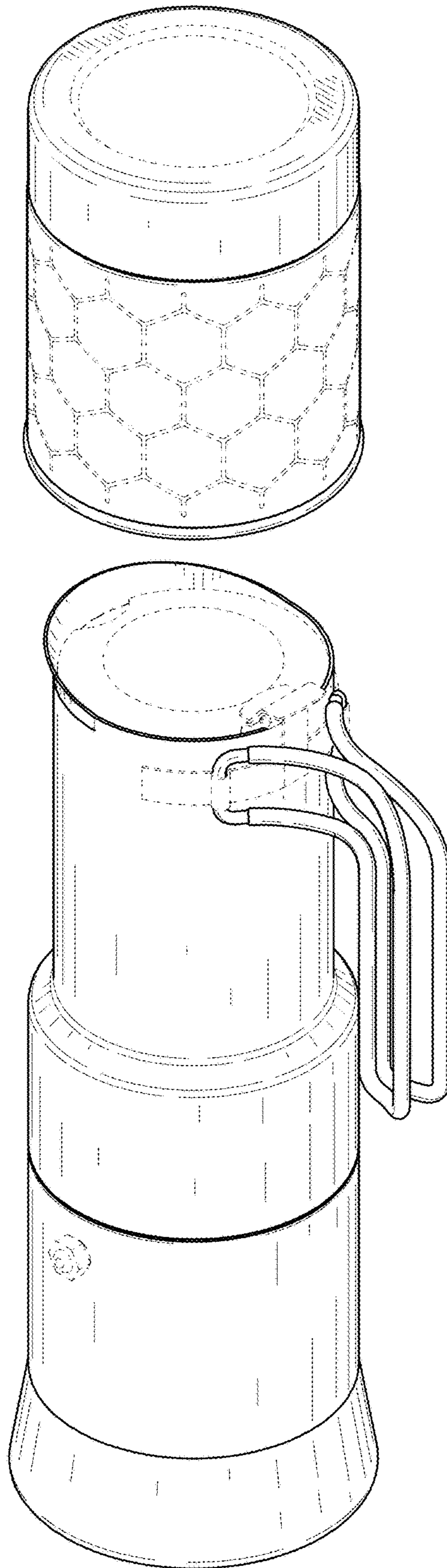


Fig. 14

Fig. 15

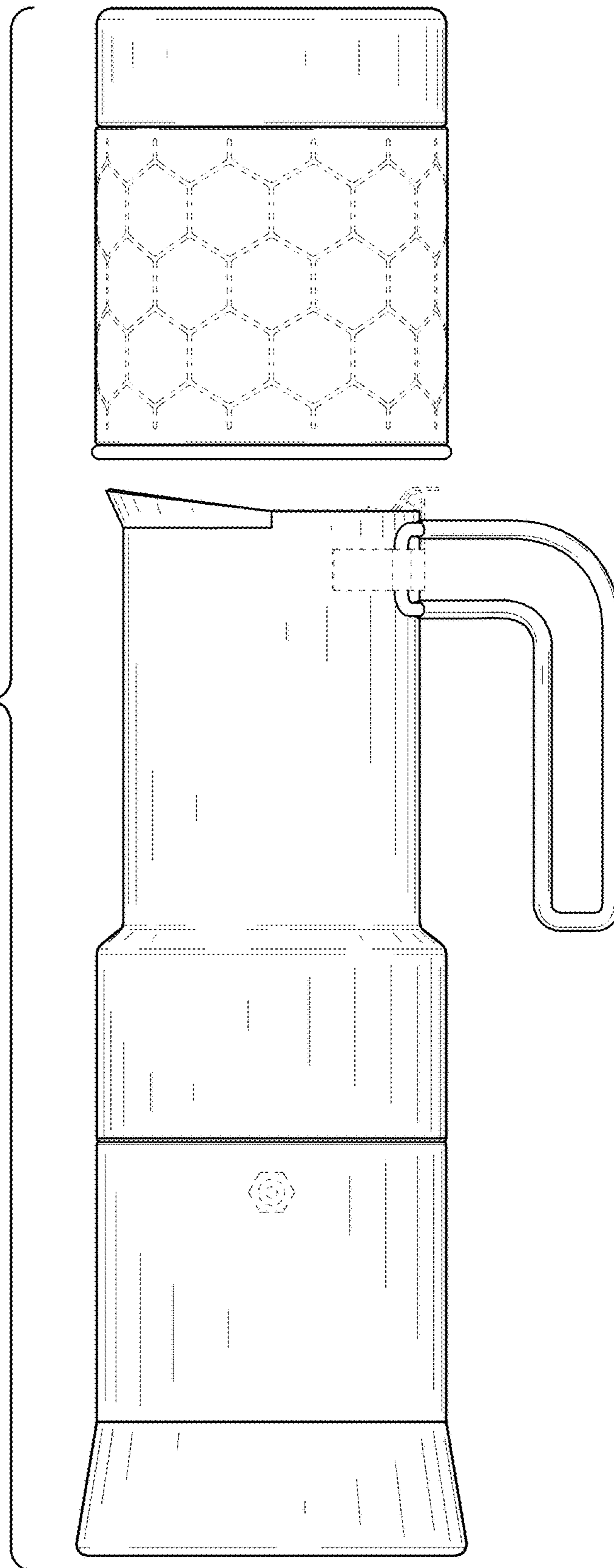


Fig. 16

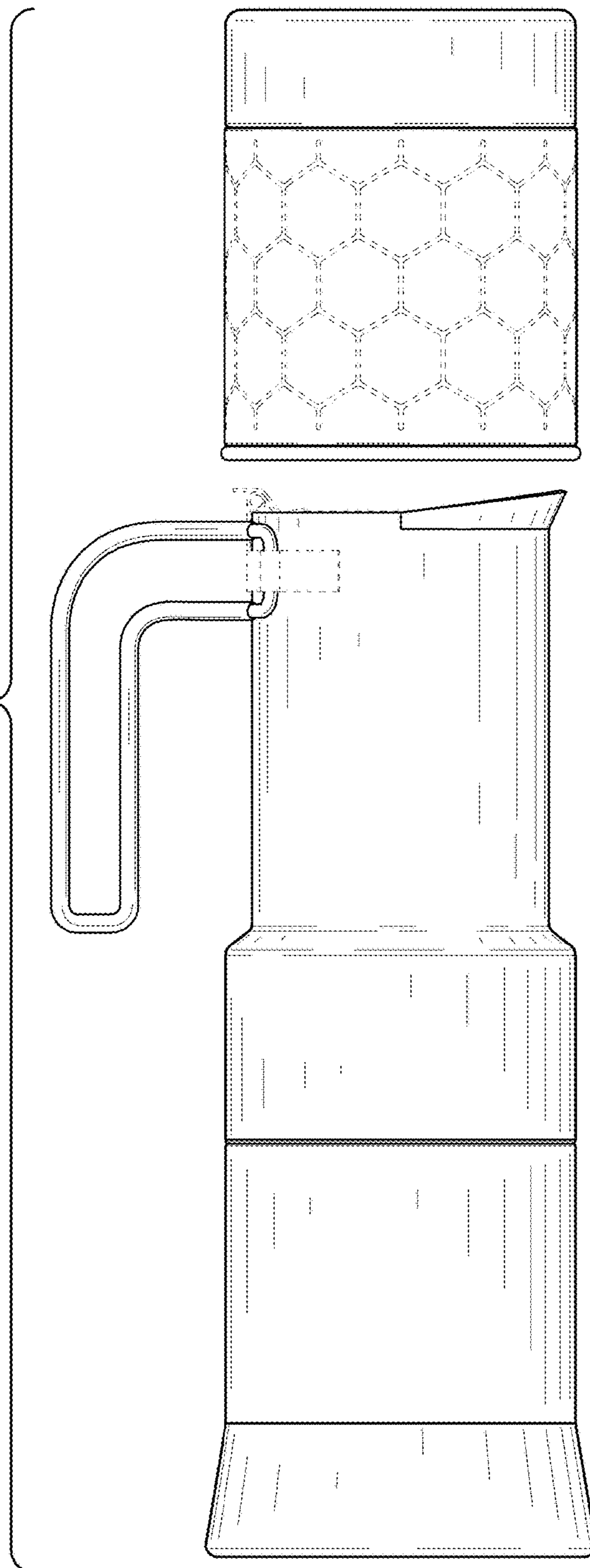


Fig. 17

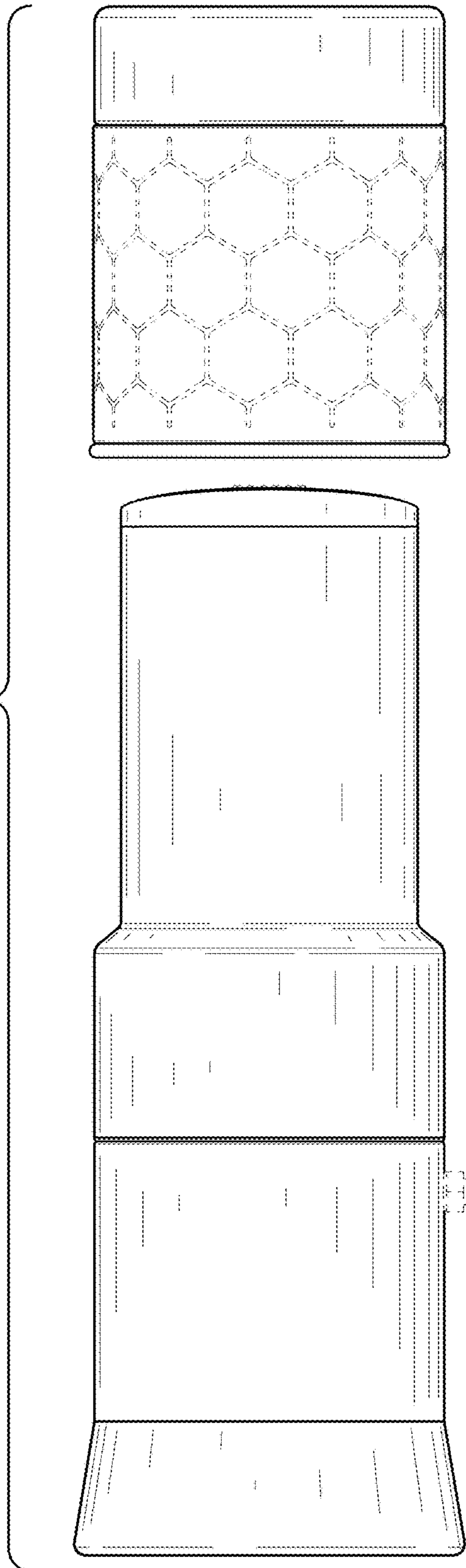


Fig. 18

