



US00D833793S

(12) **United States Design Patent**
Olaya et al.

(10) **Patent No.:** **US D833,793 S**

(45) **Date of Patent:** **** Nov. 20, 2018**

(54) **BEVERAGE DISPENSER**

(71) Applicant: **The Coca-Cola Company**, Atlanta, GA (US)

(72) Inventors: **Lauren A. Olaya**, Atlanta, GA (US);
Damian James Reec Mycroft, Decatur, GA (US); **Jill Hardy**, Atlanta, GA (US)

(73) Assignee: **The Coca-Cola Company**, Atlanta, GA (US)

(**) Term: **15 Years**

(21) Appl. No.: **29/604,587**

(22) Filed: **May 18, 2017**

(51) **LOC (11) Cl.** **07-01**

(52) **U.S. Cl.**
USPC **D7/313**

(58) **Field of Classification Search**
USPC D7/300, 301, 305, 306–311, 313; D20/1, D20/4
CPC A47J 31/00; A47J 31/002; A47J 31/02
See application file for complete search history.

(56) **References Cited**

U.S. PATENT DOCUMENTS

D356,713 S * 3/1995 Groover D7/306
D450,214 S * 11/2001 Woebcke D7/306
7,578,230 B2 * 8/2009 Rahn A47J 31/36
99/281
D599,159 S * 9/2009 Stein D7/306

D606,356 S * 12/2009 Uylings D7/308
D677,100 S * 3/2013 Amundson D7/301
D683,174 S * 5/2013 Regamey D7/306
D727,083 S * 4/2015 Dorr D7/306
D740,064 S * 10/2015 Katz D7/309
D769,045 S * 10/2016 Cha D7/306
D781,633 S * 3/2017 Cahen D7/306
9,642,489 B2 * 5/2017 Bhalerao A47J 31/401

* cited by examiner

Primary Examiner — Daniel D Bui

Assistant Examiner — Andrew Kerr

(74) *Attorney, Agent, or Firm* — Tiffany N Logan; Parks IP Law LLC

(57) **CLAIM**

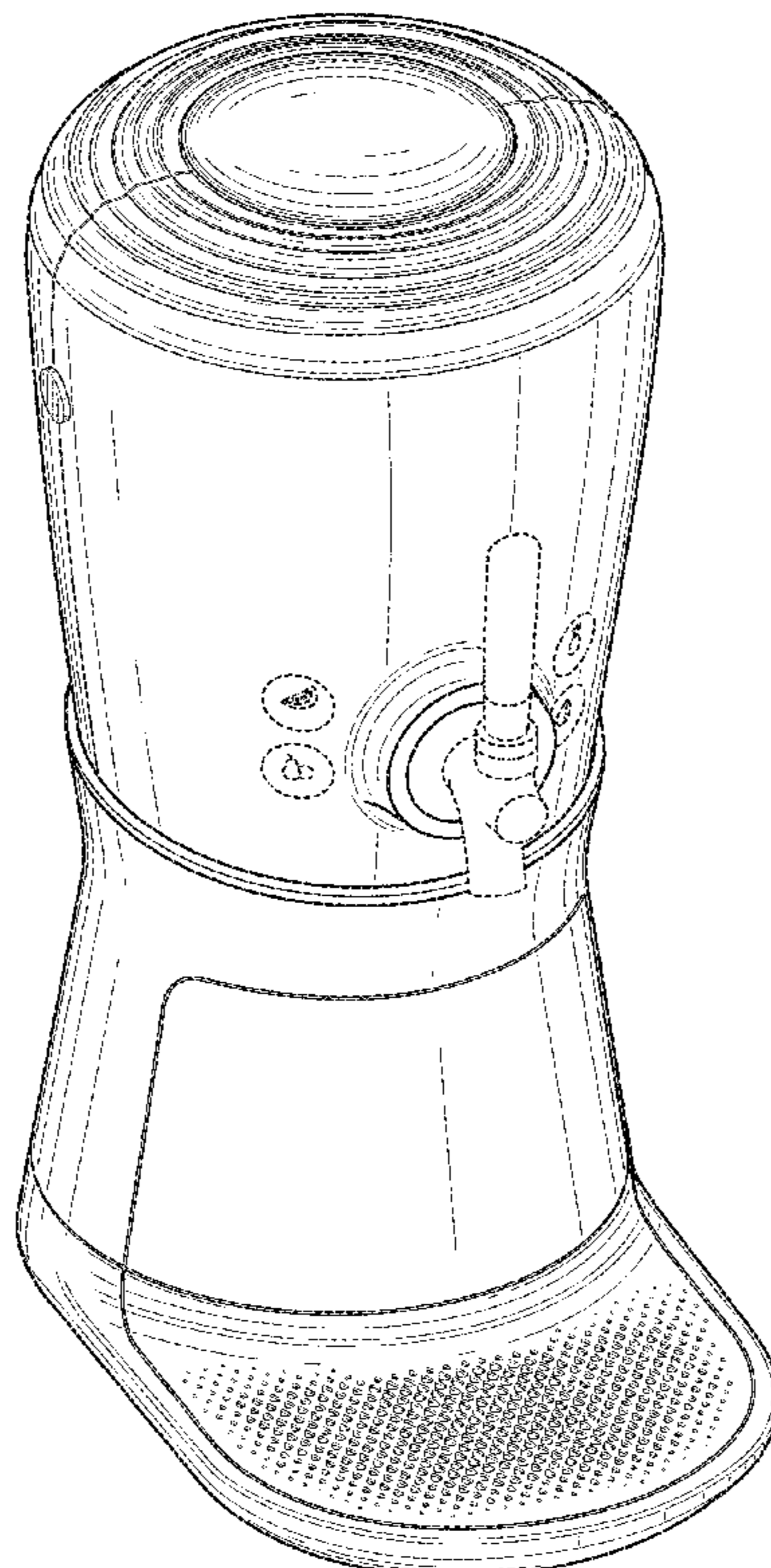
We claim the ornamental design for a beverage dispenser, as shown and described.

DESCRIPTION

FIG. 1 is a perspective view of a beverage dispenser in accordance with our new design;
FIG. 2 is a right view thereof;
FIG. 3 is a left view thereof;
FIG. 4 is a front view thereof;
FIG. 5 is a back view thereof;
FIG. 6 is a top view thereof; and,
FIG. 7 is a bottom view thereof.

The broken lines showing portions of the beverage dispenser are for the purpose of illustrating environmental structure only and forms no part of the claimed design.

1 Claim, 7 Drawing Sheets



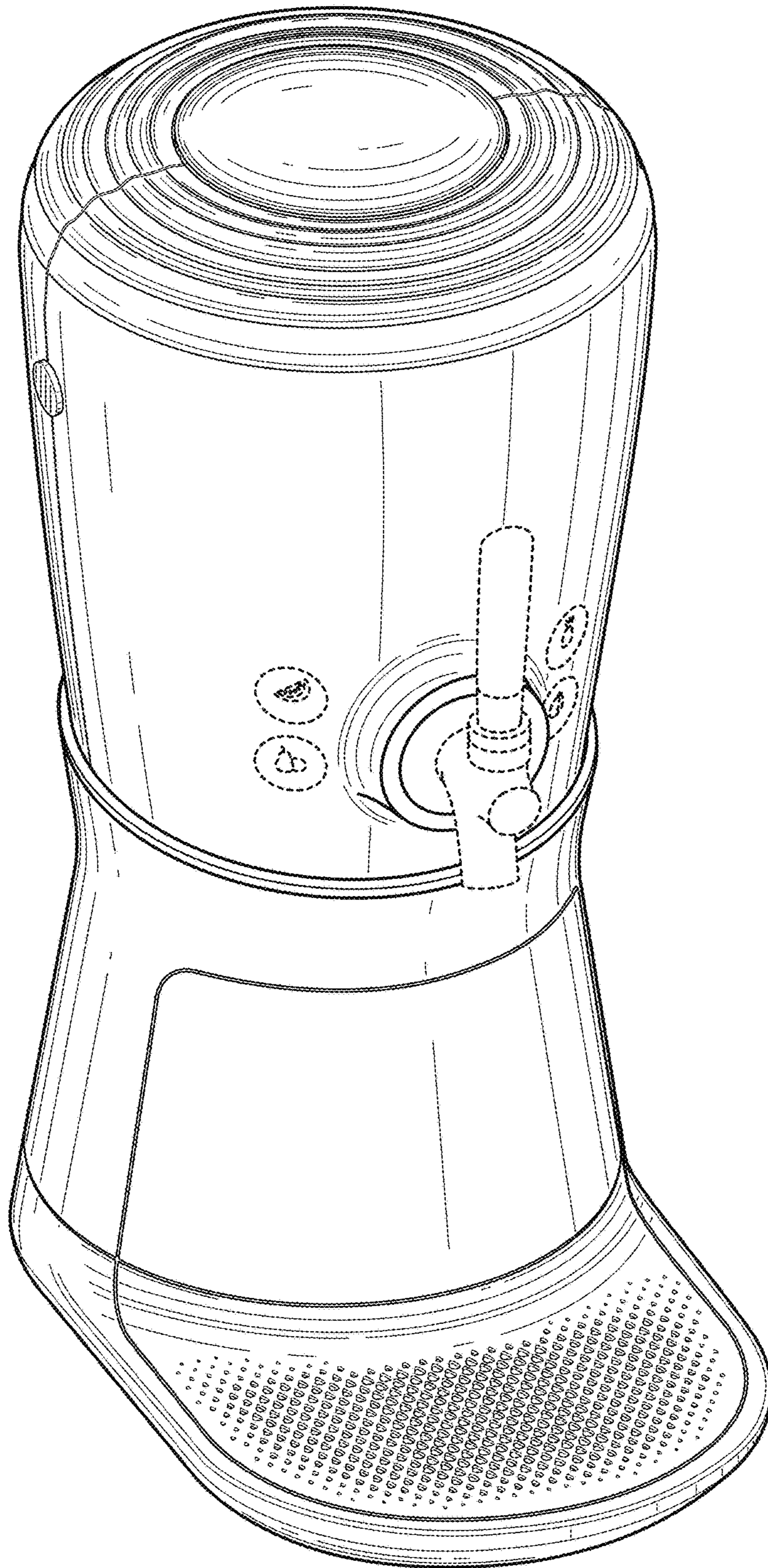


FIG. 1

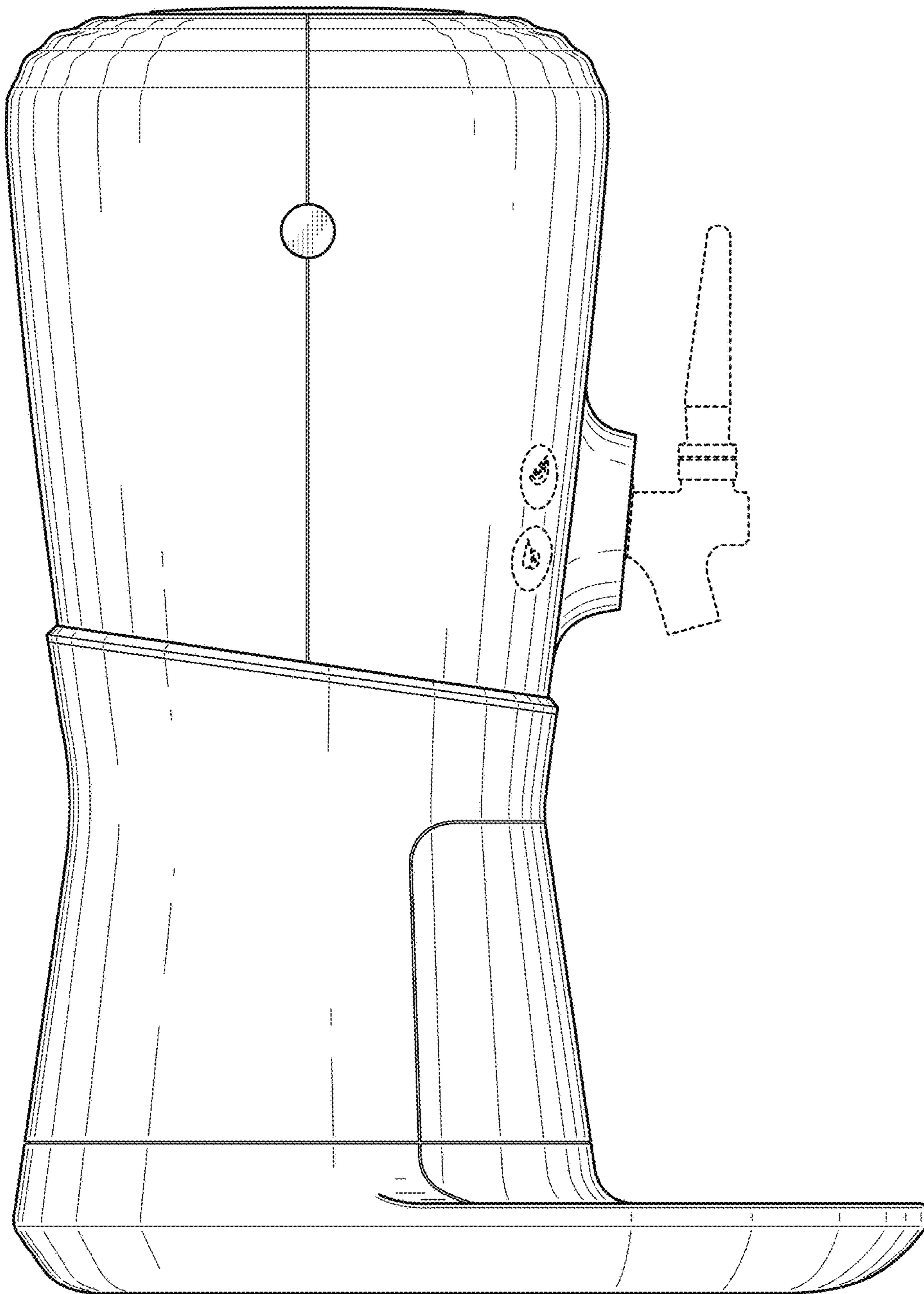


FIG. 2

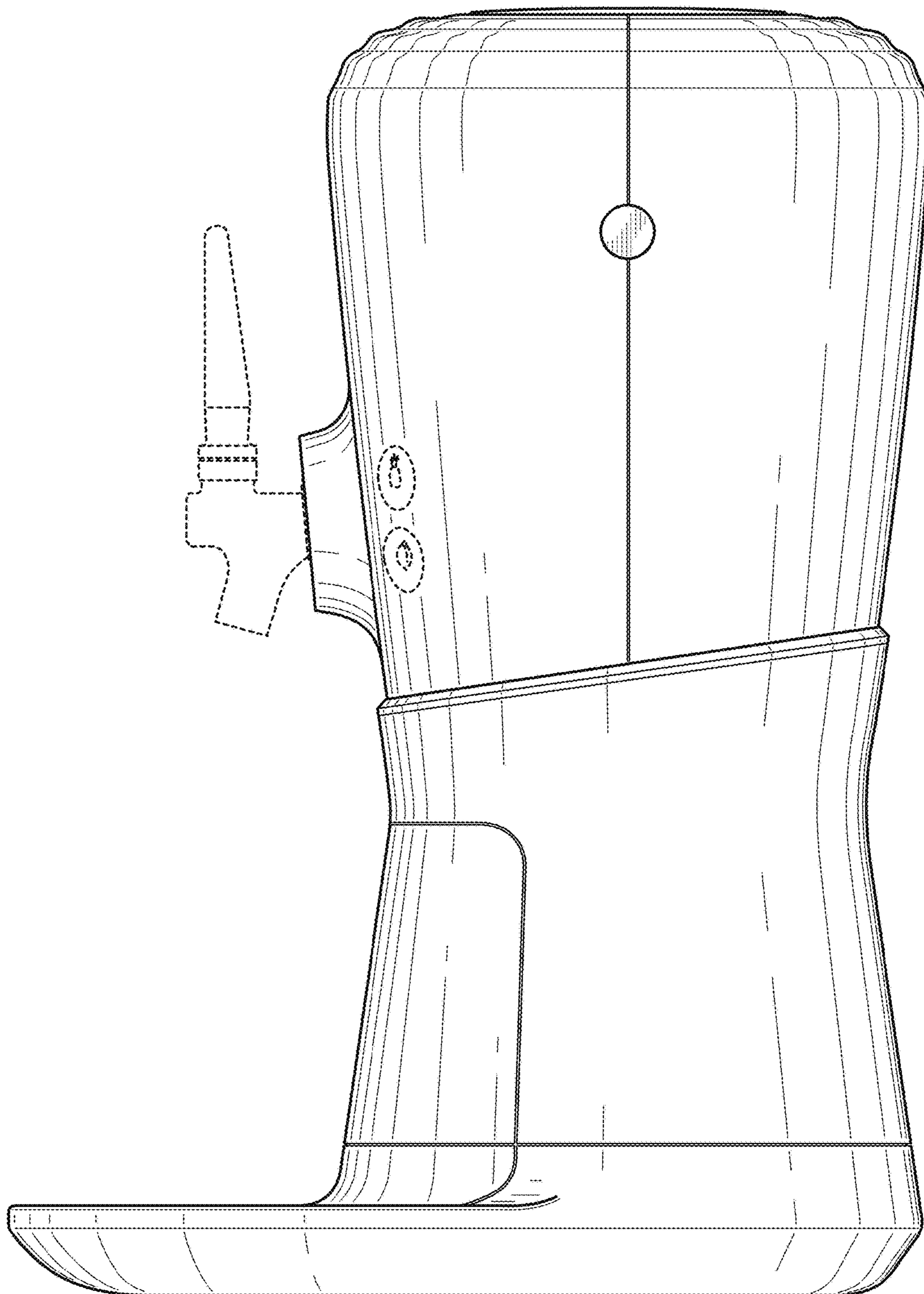


FIG. 3

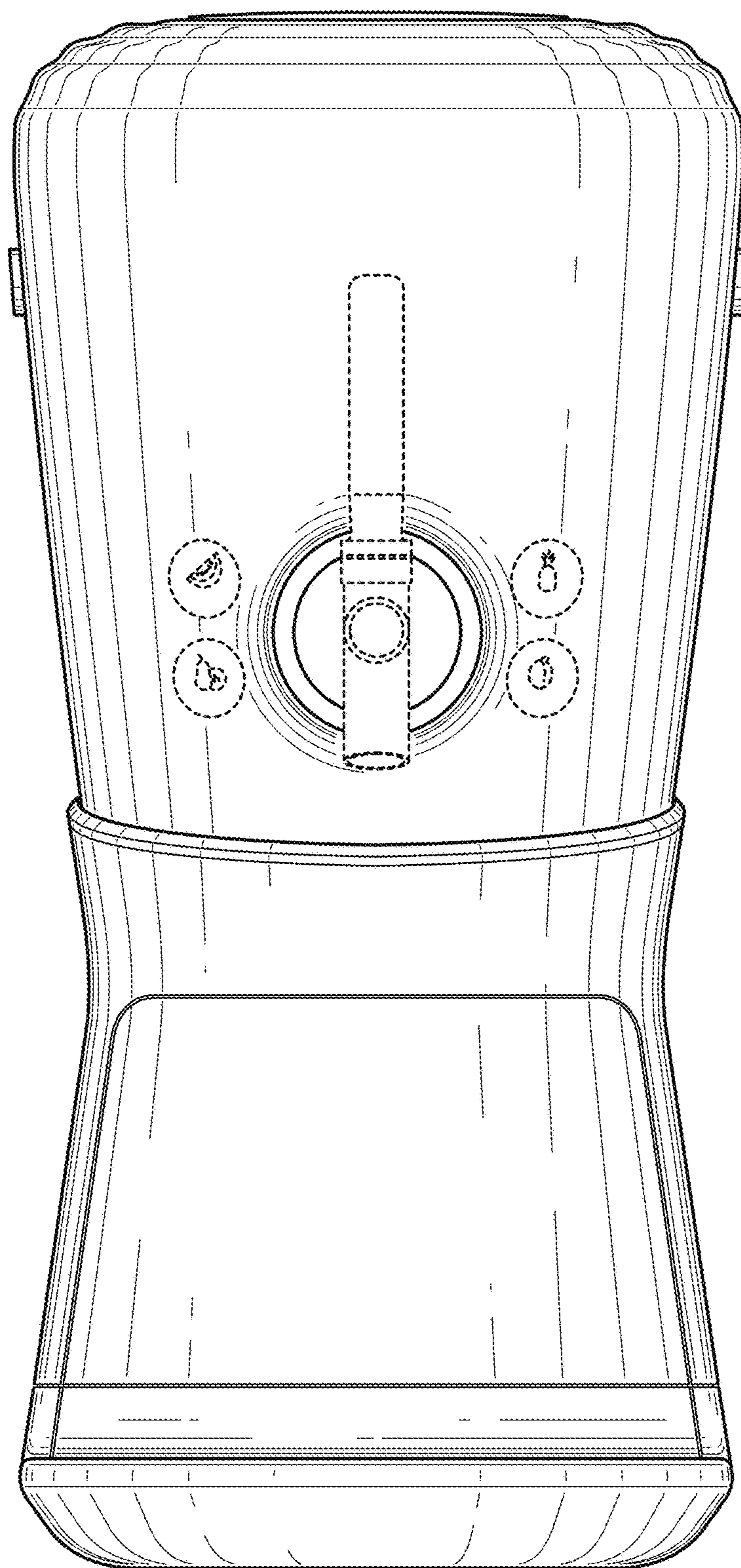


FIG. 4

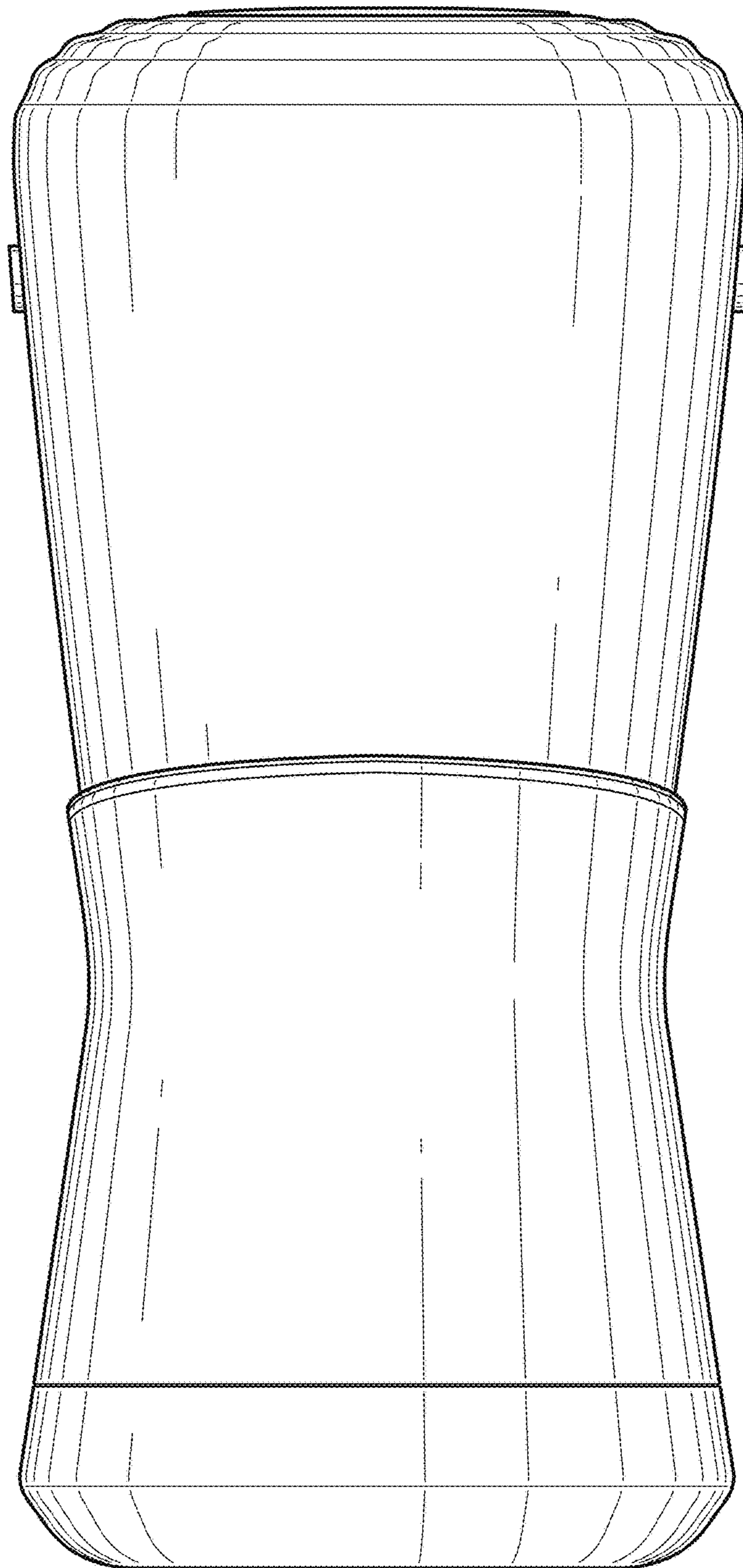


FIG. 5

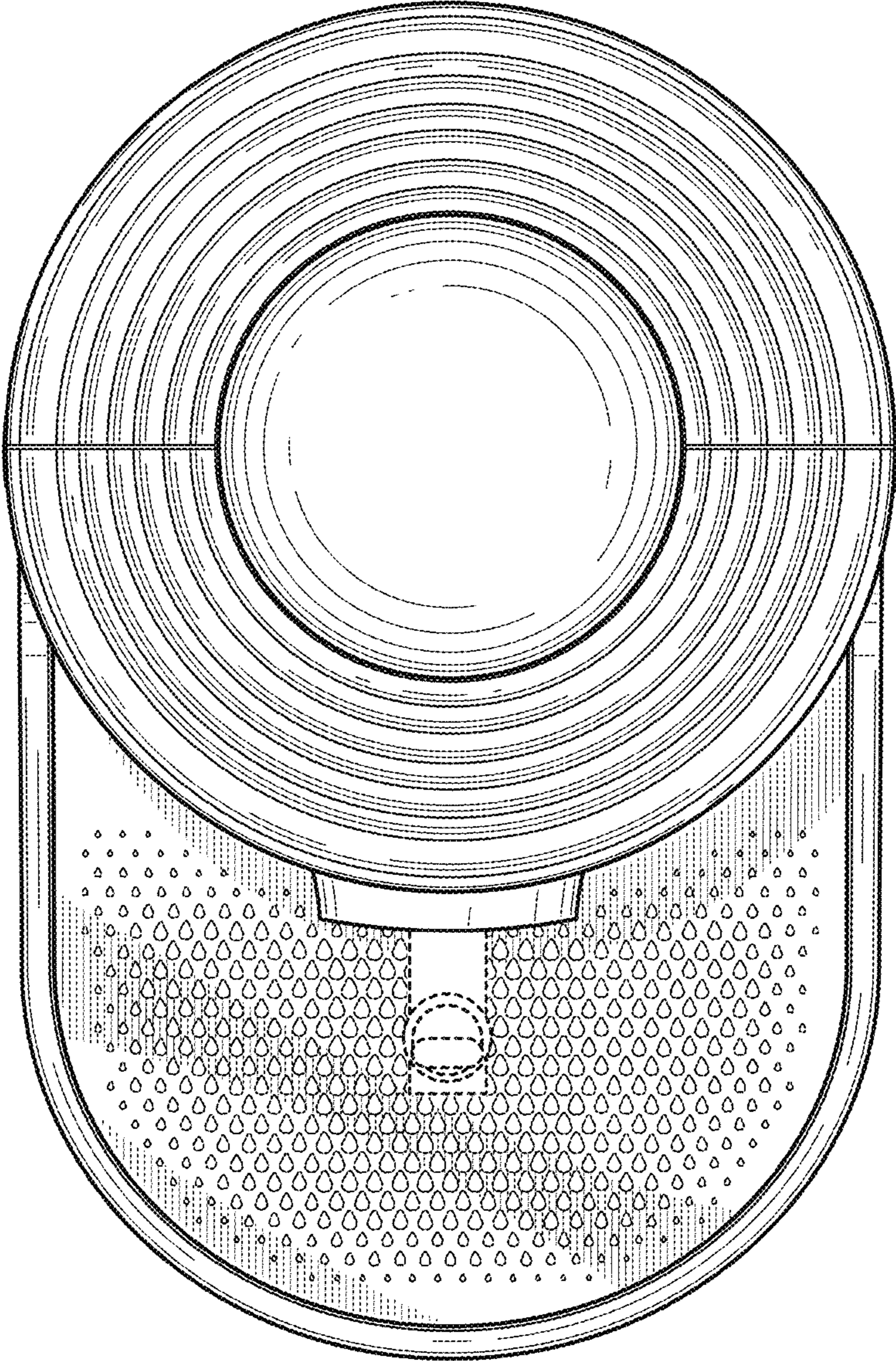


FIG. 6

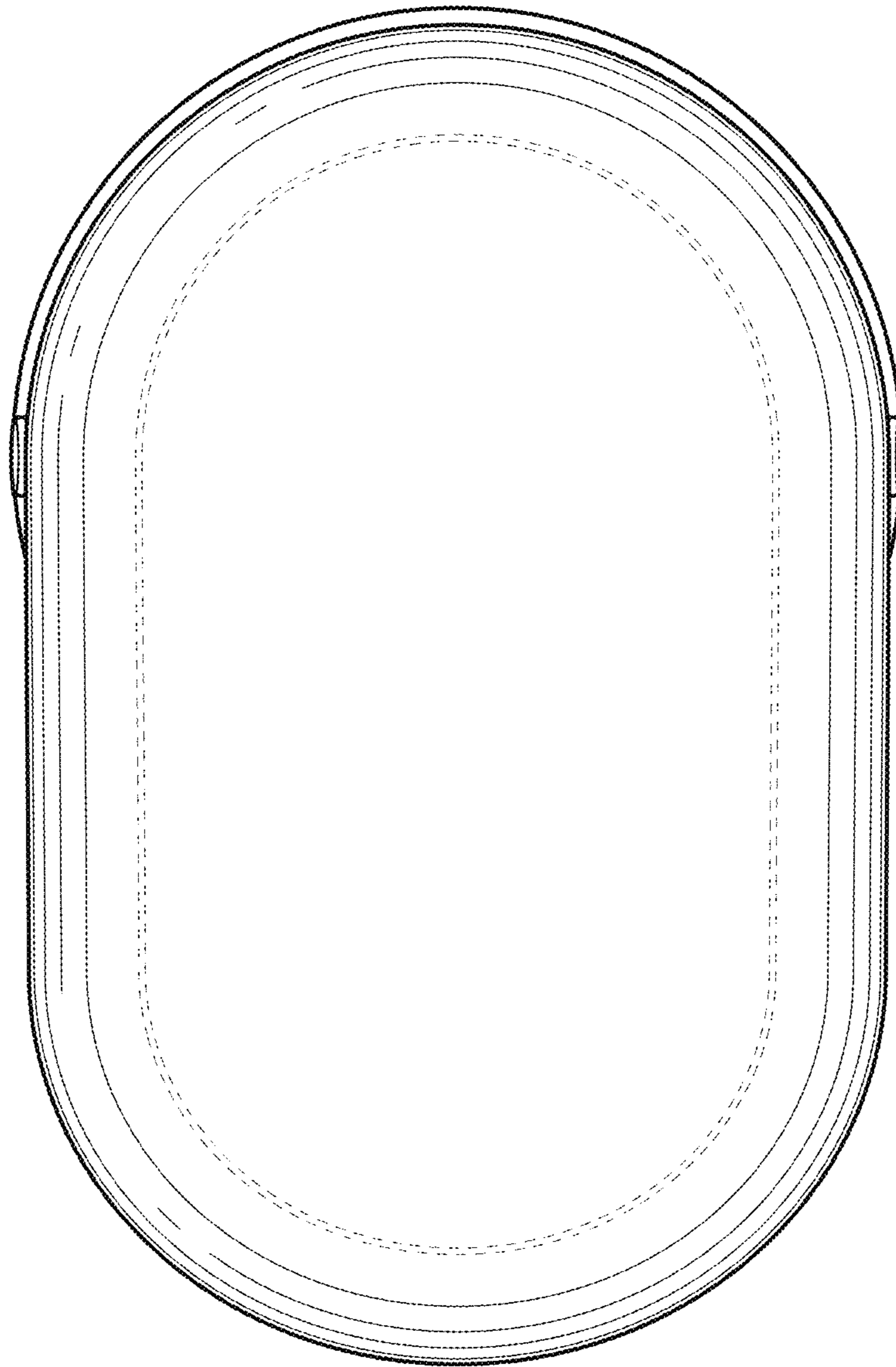


FIG. 7