



US00D833792S

(12) **United States Design Patent**
Garman

(10) **Patent No.:** **US D833,792 S**

(45) **Date of Patent:** **** Nov. 20, 2018**

- (54) **COFFEEMAKER**
- (71) Applicant: **Hamilton Beach Brands, Inc.**, Glen Allen, VA (US)
- (72) Inventor: **Michael Garman**, Moseley, VA (US)
- (73) Assignee: **Hamilton Beach Brands, Inc.**, Glen Allen, VA (US)
- (**) Term: **15 Years**
- (21) Appl. No.: **29/593,936**
- (22) Filed: **Feb. 14, 2017**
- (51) **LOC (11) Cl.** **07-01**
- (52) **U.S. Cl.**
USPC **D7/309; D7/311**
- (58) **Field of Classification Search**
USPC D7/300, 309-311, 306-308, 305, 355,
D7/362, 365, 367; 222/146.6, 185.1, 135;
99/295, 273, 304, 288, 279, 307, 283
CPC A47J 31/057; A47J 31/053; A47J 31/50;
A47J 31/18; A47J 31/00; A47J 27/04;
A47J 31/0573; A47J 31/52
See application file for complete search history.

D409,875 S *	5/1999	Alonge	D7/309
5,931,082 A *	8/1999	Kim	A47J 31/053 422/26
5,992,299 A	11/1999	Fong	
D453,655 S *	2/2002	Powell	D7/306
D514,371 S *	2/2006	Yang	D7/306
7,293,726 B2	11/2007	Rohde	
8,201,491 B2 *	6/2012	Garman	A47J 31/057 222/146.5
D714,088 S *	9/2014	Cahen	D7/309
D736,025 S *	8/2015	Kestenbaum	D7/309
D744,275 S *	12/2015	Lownds	D7/376
D745,307 S *	12/2015	Kestenbaum	D7/309
D762,412 S *	8/2016	Kestenbaum	D7/392
D769,662 S *	10/2016	Palermo	D7/306
D783,333 S *	4/2017	Burrows	D7/306
D783,347 S *	4/2017	Kestenbaum	D7/397
D783,348 S *	4/2017	Kestenbaum	D7/399
D811,163 S *	2/2018	Kestenbaum	D7/399

* cited by examiner

Primary Examiner — Marianne N Pandozzi
(74) *Attorney, Agent, or Firm* — Alexander D. Raring

(57) **CLAIM**

The ornamental design for a coffeemaker, as shown and described.

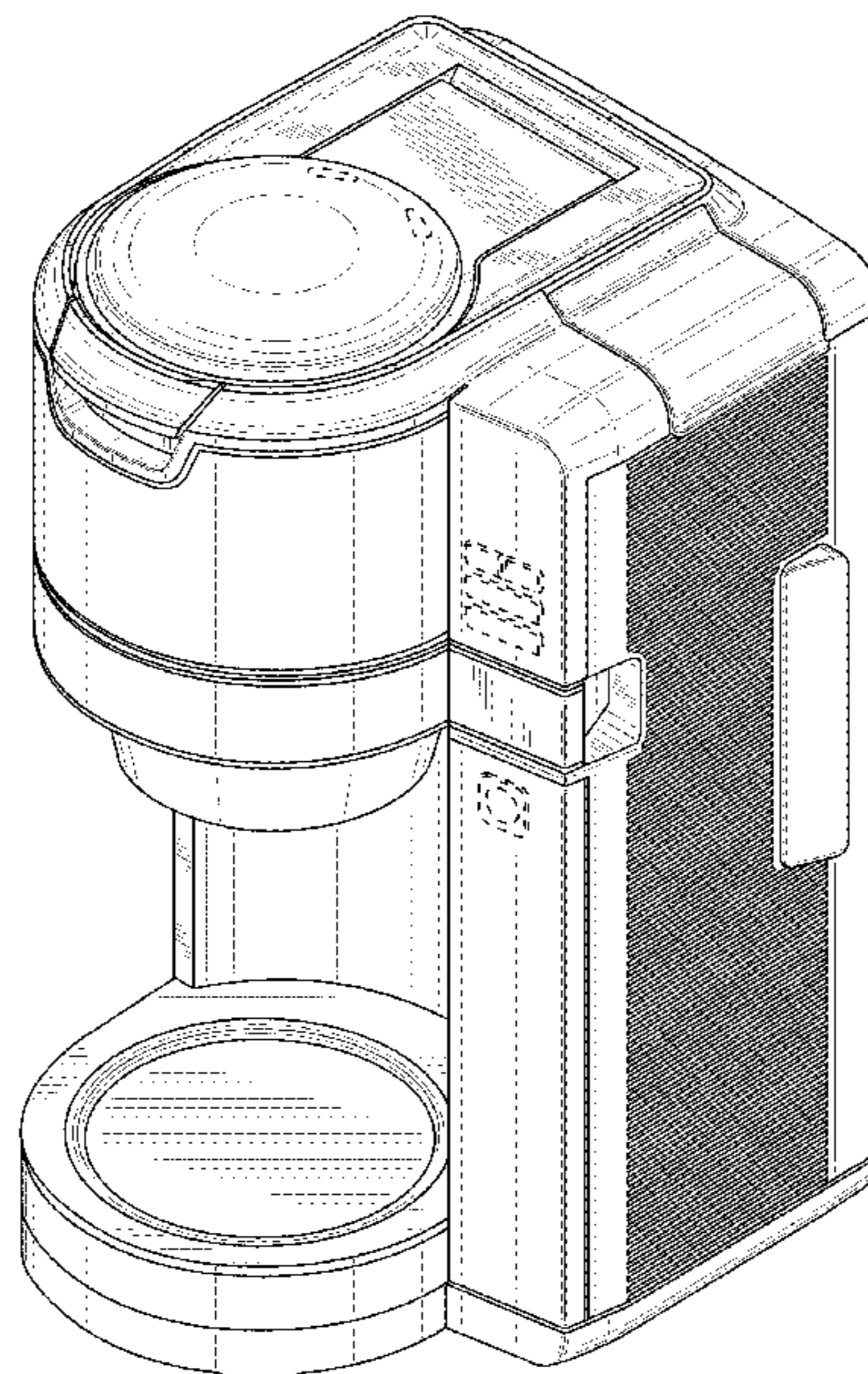
DESCRIPTION

FIG. 1 is a perspective view of a coffeemaker showing my new design;
FIG. 2 is a front view thereof;
FIG. 3 is a rear view thereof;
FIG. 4 is a left side view thereof;
FIG. 5 is a right side view thereof;
FIG. 6 is a top view thereof; and,
FIG. 7 is a bottom view thereof.
The broken lines in the drawing depict portions of the coffeemaker that form no part of the claimed design.

1 Claim, 7 Drawing Sheets

(56) **References Cited**
U.S. PATENT DOCUMENTS

3,107,600 A	10/1963	Brun-Buisson	
D253,572 S *	12/1979	Rinaldi D7/309
4,196,658 A	4/1980	Takagi et al.	
4,406,217 A	9/1983	Oota	
4,962,693 A	10/1990	Miwa et al.	
D314,881 S *	2/1991	Wongergem D7/309
D317,996 S *	7/1991	Jack D7/309
5,083,502 A	1/1992	Enomoto	
D327,601 S *	7/1992	Beeren D7/309
D379,049 S *	5/1997	Amiel D7/305
D381,237 S *	7/1997	De'Longhi D7/309



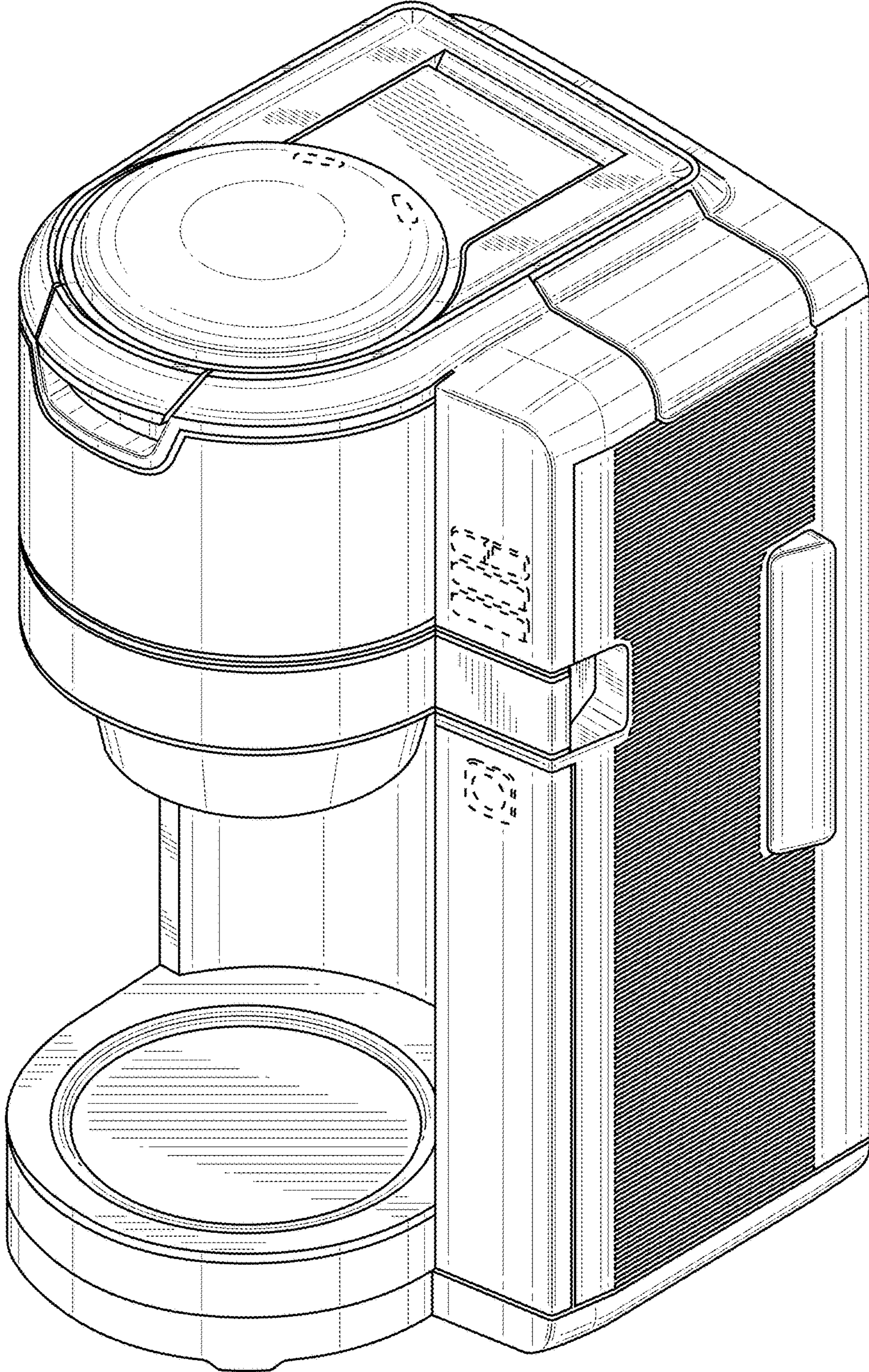


FIG. 1

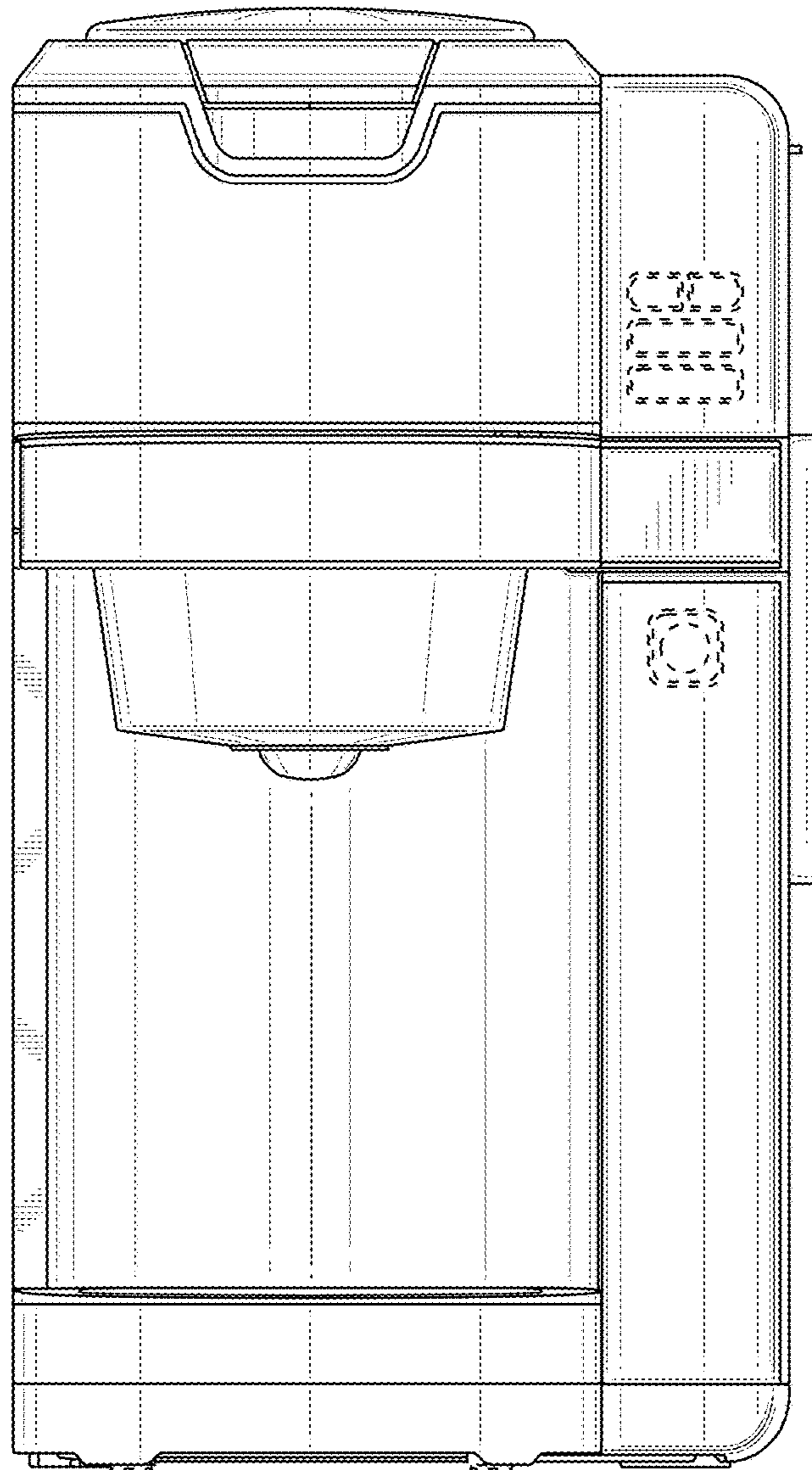


FIG. 2

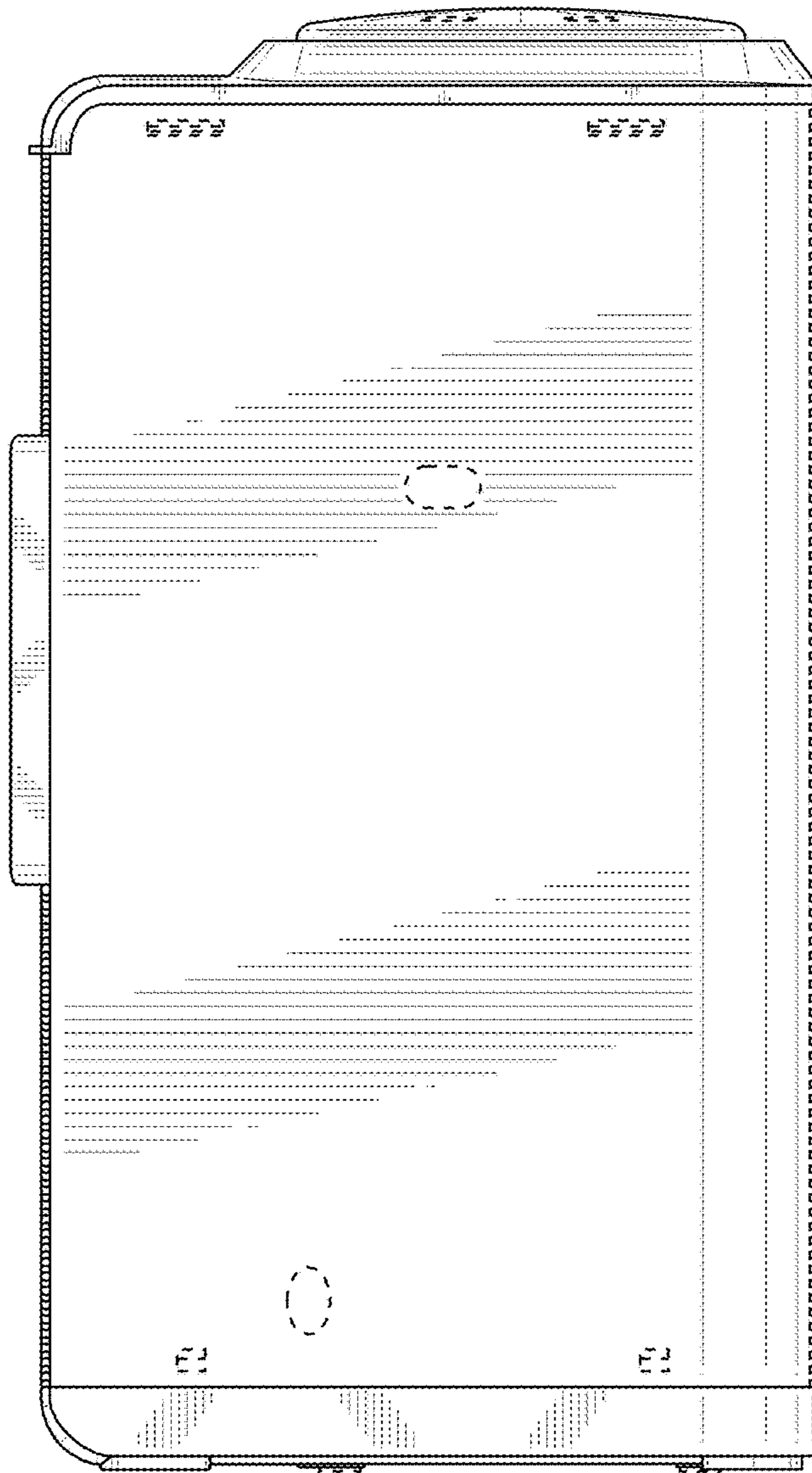


FIG. 3

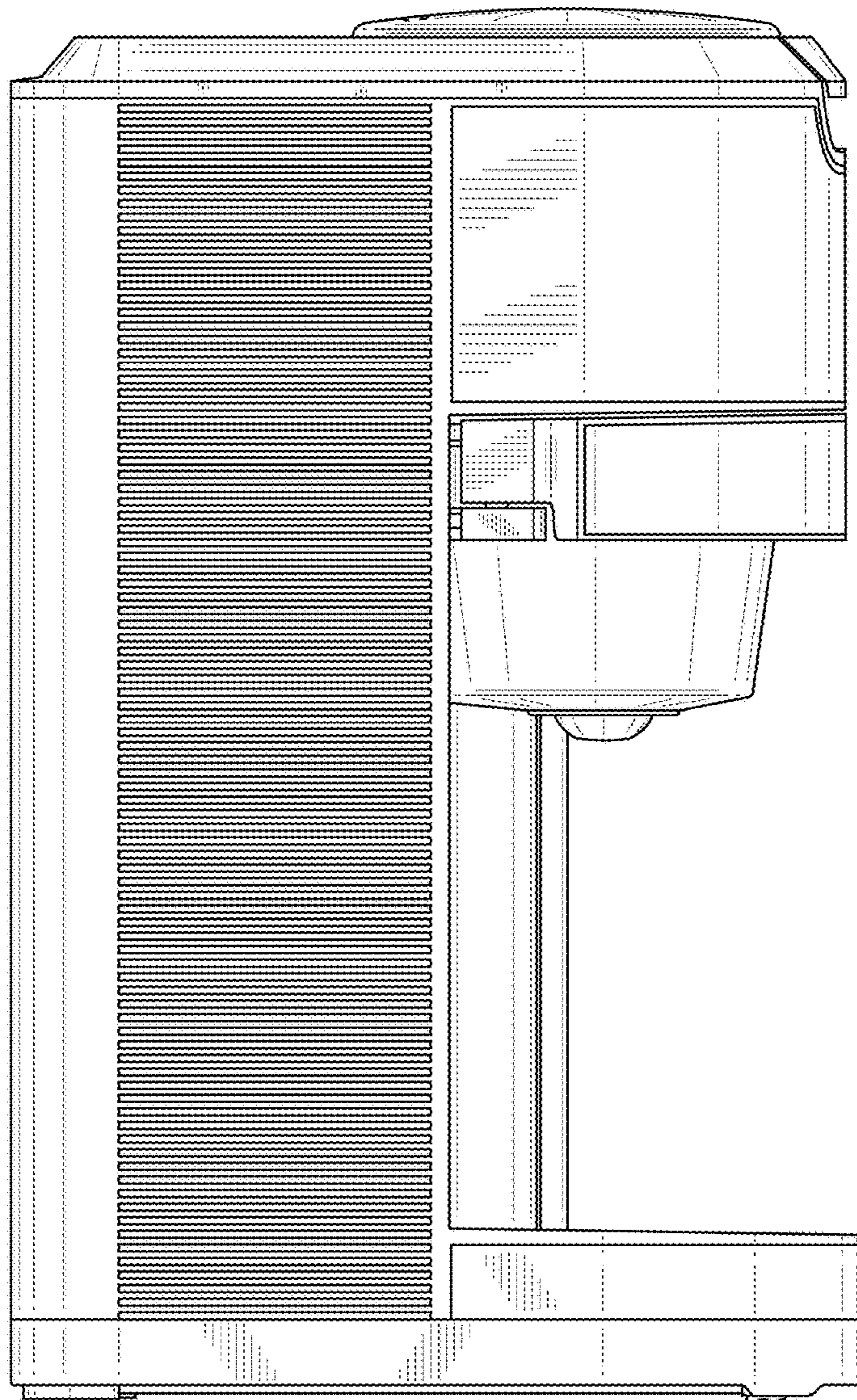


FIG. 4

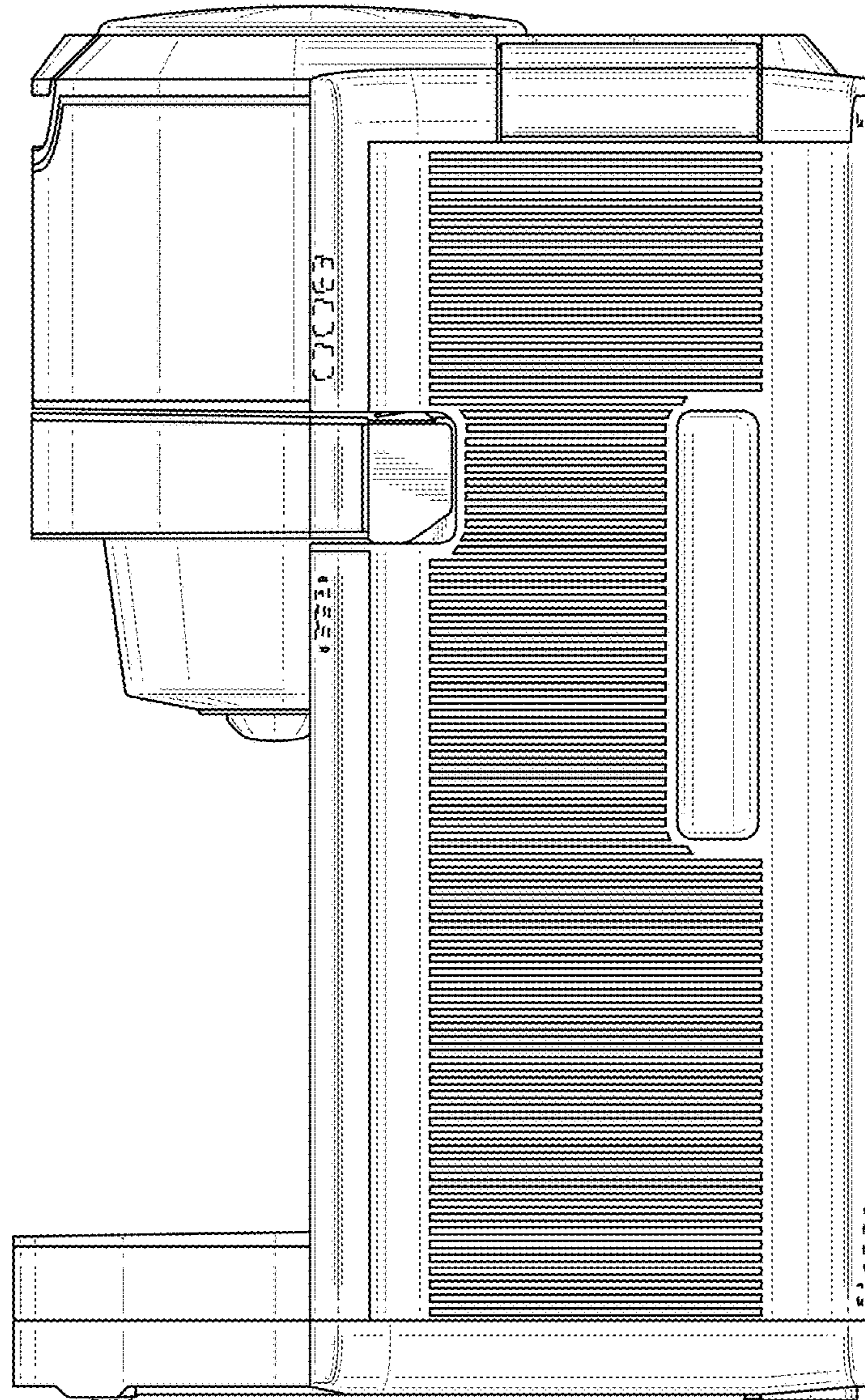


FIG. 5

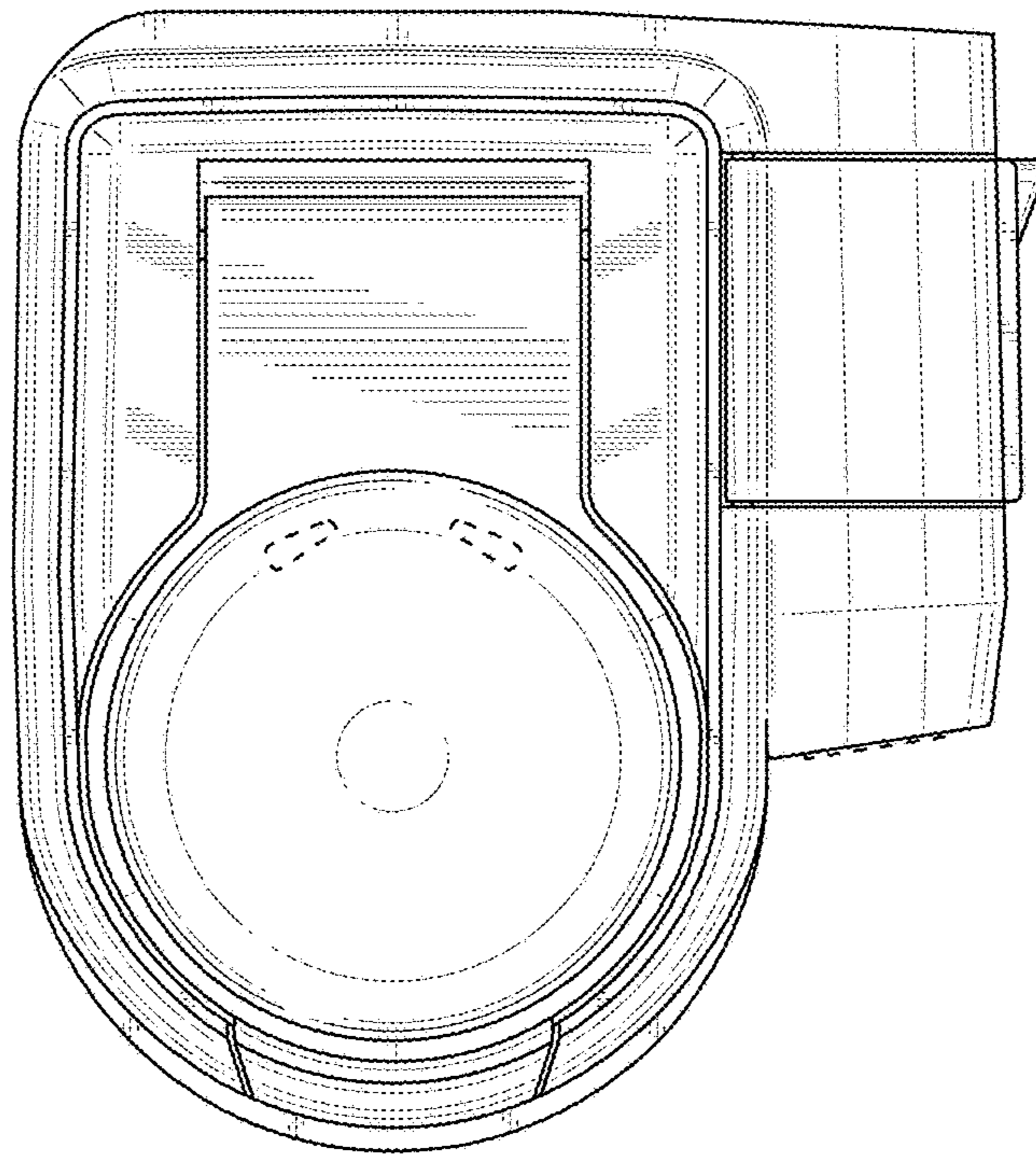


FIG. 6

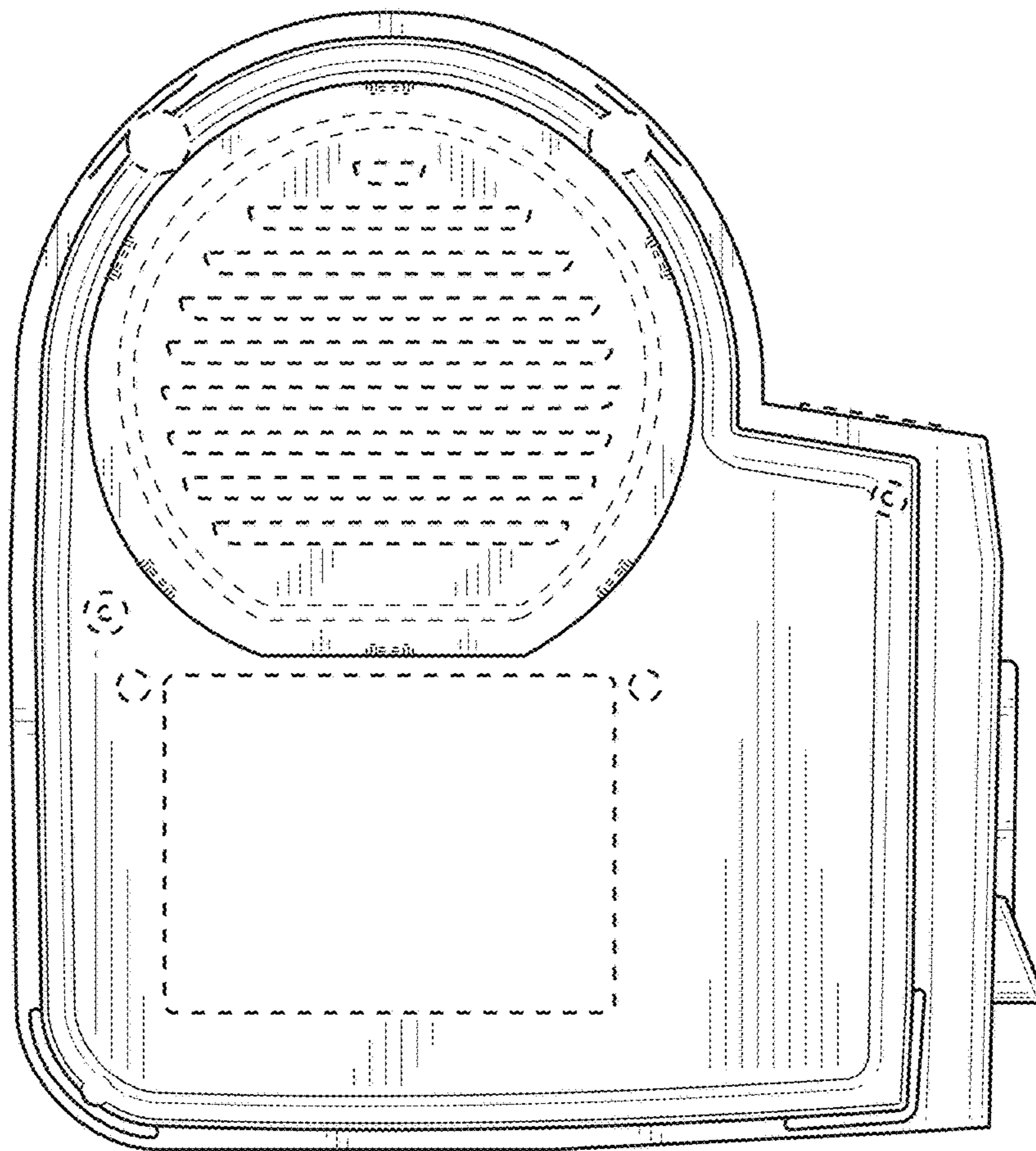


FIG. 7