



US00D833791S

(12) **United States Design Patent**
Kolberg

(10) **Patent No.:** **US D833,791 S**

(45) **Date of Patent:** **** Nov. 20, 2018**

(54) **SEAT WITH PADDING**

(71) Applicant: **Kusch + Co. GmbH & Co. KG,**
Hallenberg (DE)

(72) Inventor: **Justus Kolberg,** Hamburg (DE)

(73) Assignee: **Kusch + Co. GmbH & Co. KG,**
Hallenberg (DE)

(**) Term: **15 Years**

(21) Appl. No.: **29/616,281**

(22) Filed: **Sep. 5, 2017**

(30) **Foreign Application Priority Data**

Mar. 8, 2017 (EP) 003790161

(51) **LOC (11) Cl.** **06-01**

(52) **U.S. Cl.**
USPC **D6/716; D6/375**

(58) **Field of Classification Search**

USPC D6/334-336, 371, 372, 373, 374, 375,
D6/376, 379, 380, 716, 716.1, 716.4

CPC A47C 3/04; A47C 4/02; A47C 4/03; A47C
3/12; A47C 5/12; A47C 7/16

See application file for complete search history.

(56) **References Cited**

U.S. PATENT DOCUMENTS

D178,880 S * 10/1956 Hauser D6/375
D228,483 S * 10/1973 Sebel et al. D6/375
D235,236 S * 6/1975 Prizlow D6/375
D275,354 S * 9/1984 Kaganas D6/375

D299,191 S * 1/1989 Frnier D6/375
D300,189 S * 3/1989 Frnier D6/379
D347,530 S * 6/1994 Ochsner D6/372
D690,147 S * 9/2013 Meyer D6/375
D738,658 S * 9/2015 Bellin D6/375
D753,945 S * 4/2016 Johnson A47C 3/04
D6/375
D804,231 S * 12/2017 Koh D6/716
D805,315 S * 12/2017 Leong D6/375
D815,870 S * 4/2018 Koh D6/716

FOREIGN PATENT DOCUMENTS

DE 19637307 A1 4/1997

* cited by examiner

Primary Examiner — Mimoso De

(74) *Attorney, Agent, or Firm* — Kilpatrick Townsend &
Stockton

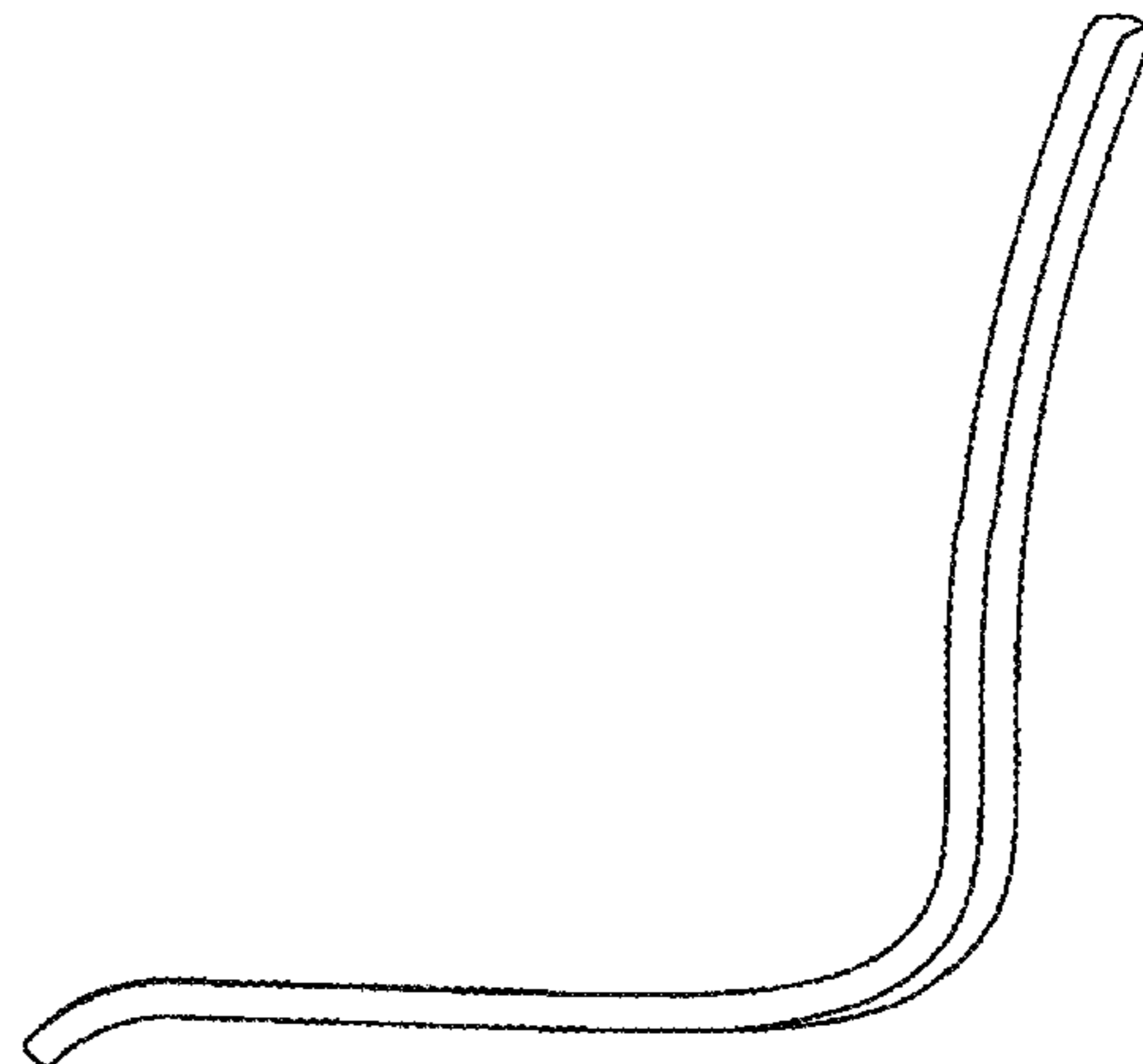
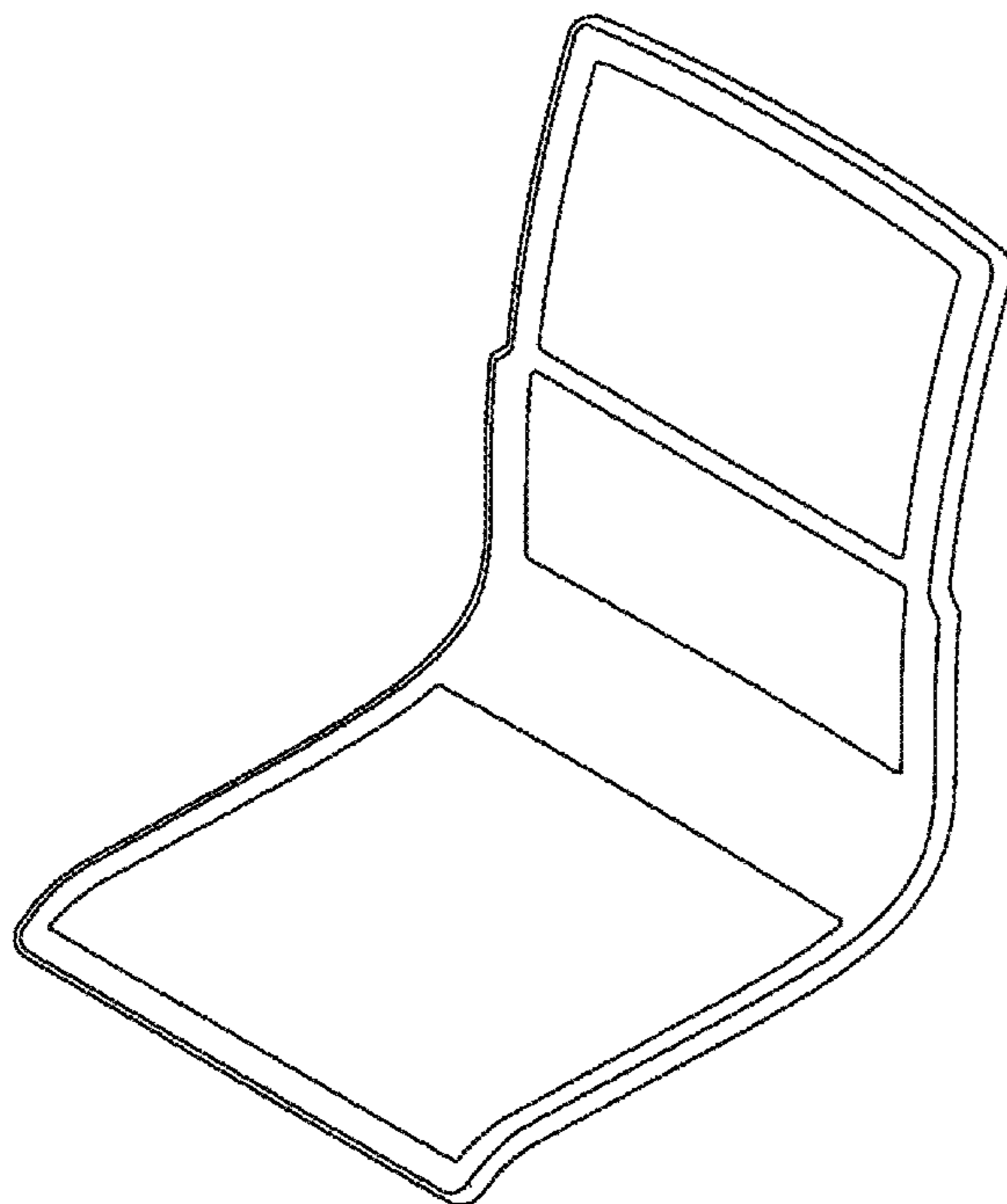
(57) **CLAIM**

The ornamental design for seat with padding, as shown and
described.

DESCRIPTION

FIG. 1 is a front perspective view of a first embodiment of
the seat with padding;
FIG. 2 is a front view;
FIG. 3 is a back view;
FIG. 4 is a right side view;
FIG. 5 is a left side view;
FIG. 6 is a top view; and,
FIG. 7 is a bottom view.

1 Claim, 7 Drawing Sheets



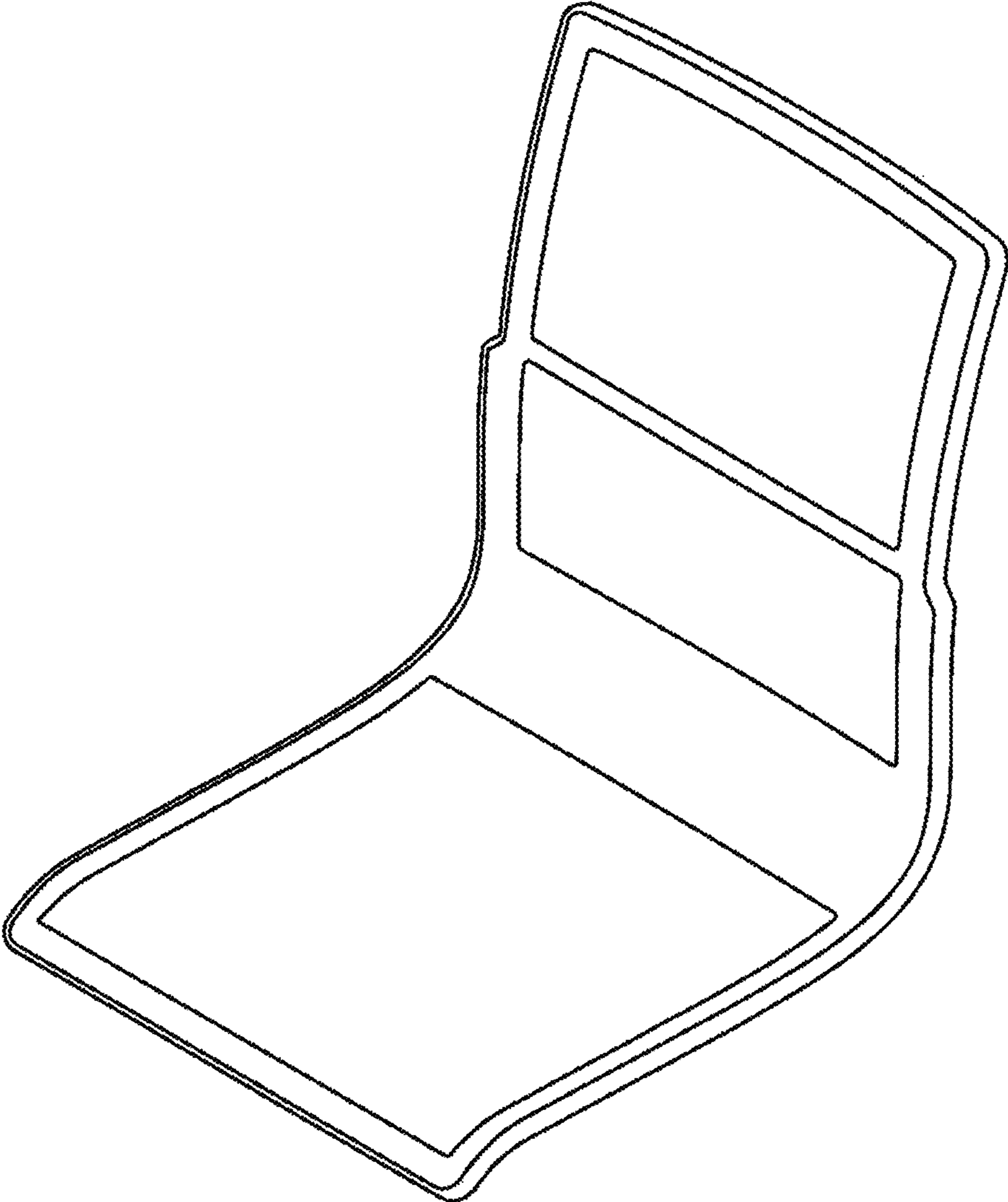


FIG.1

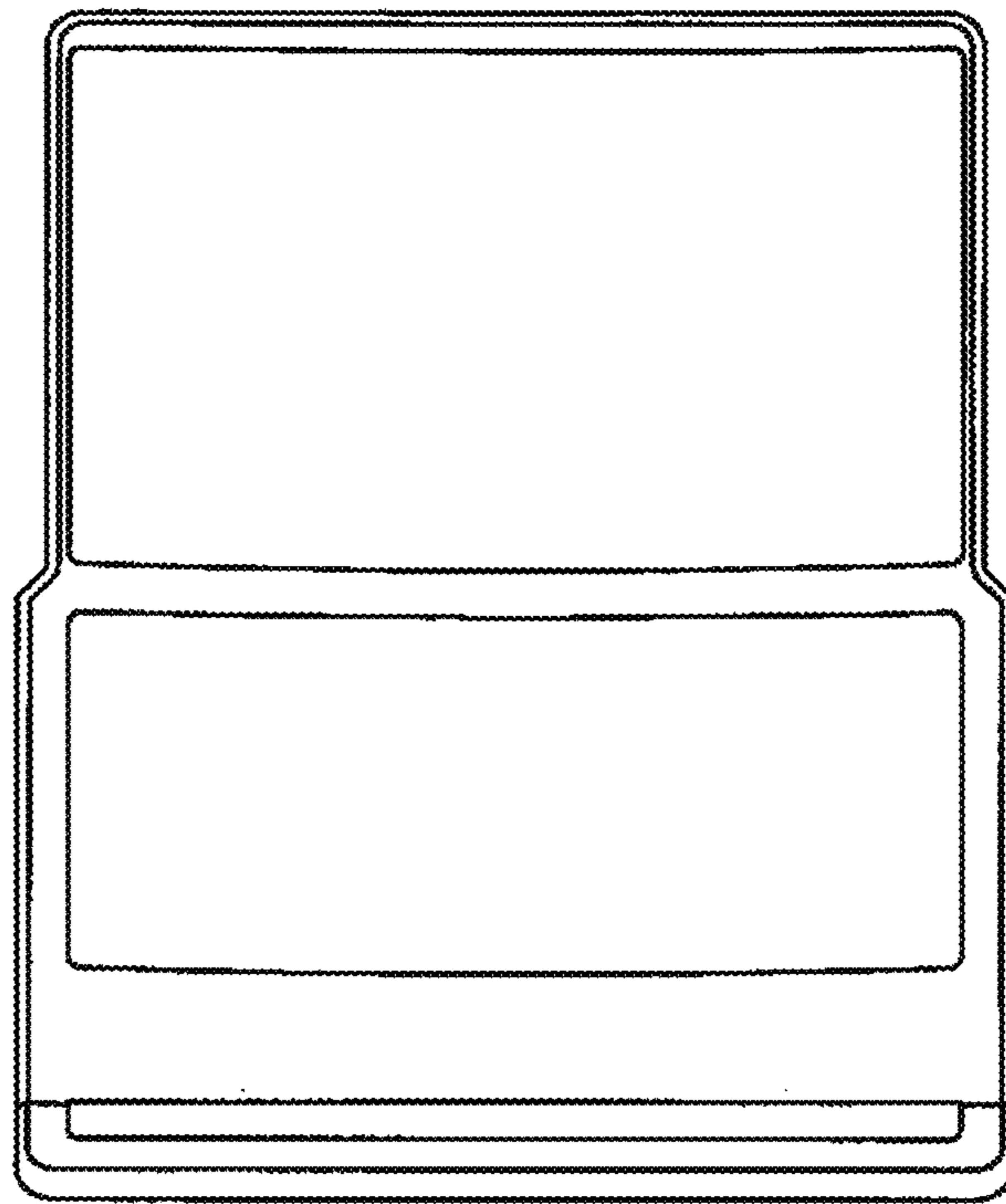


FIG.2

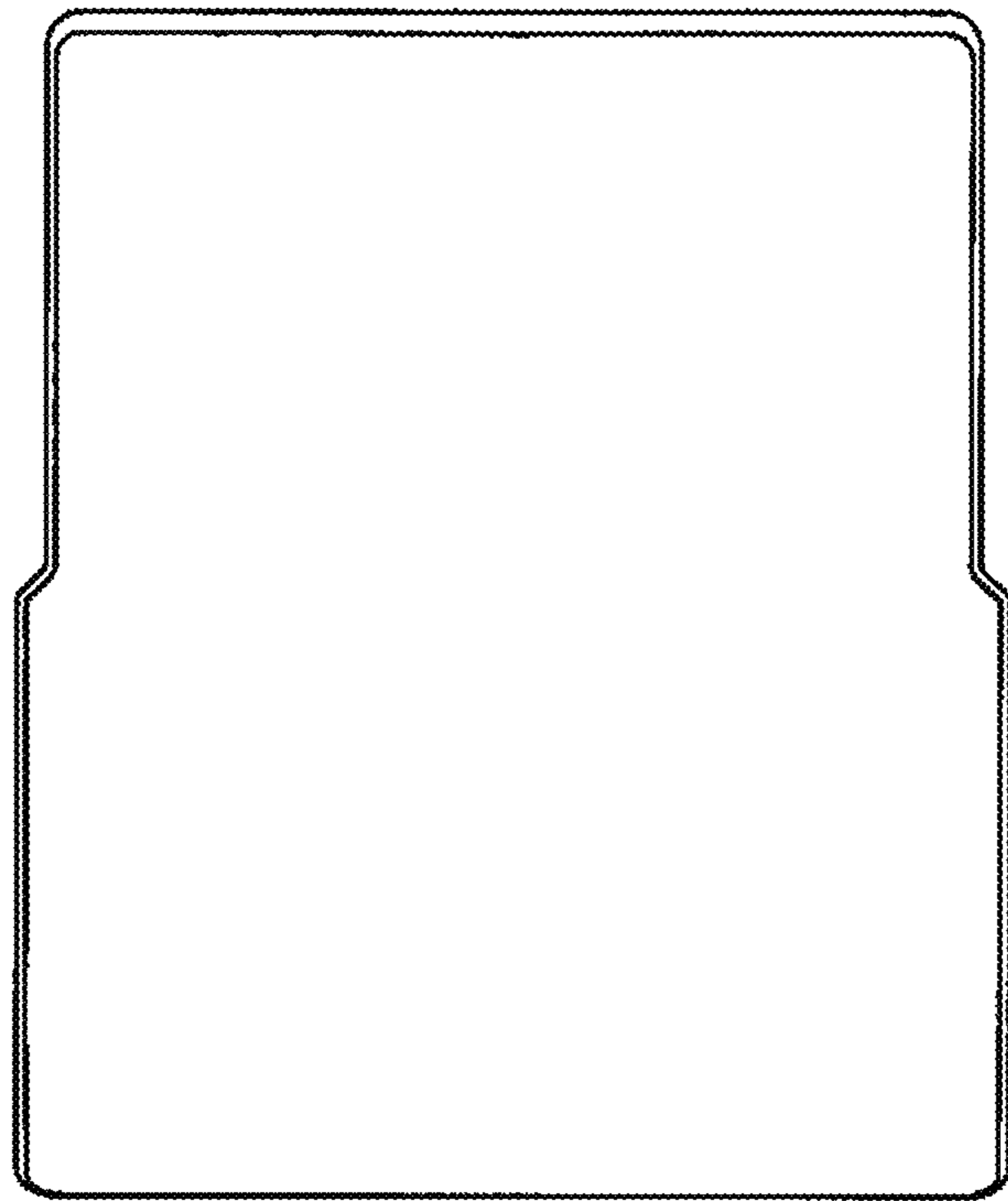


FIG.3

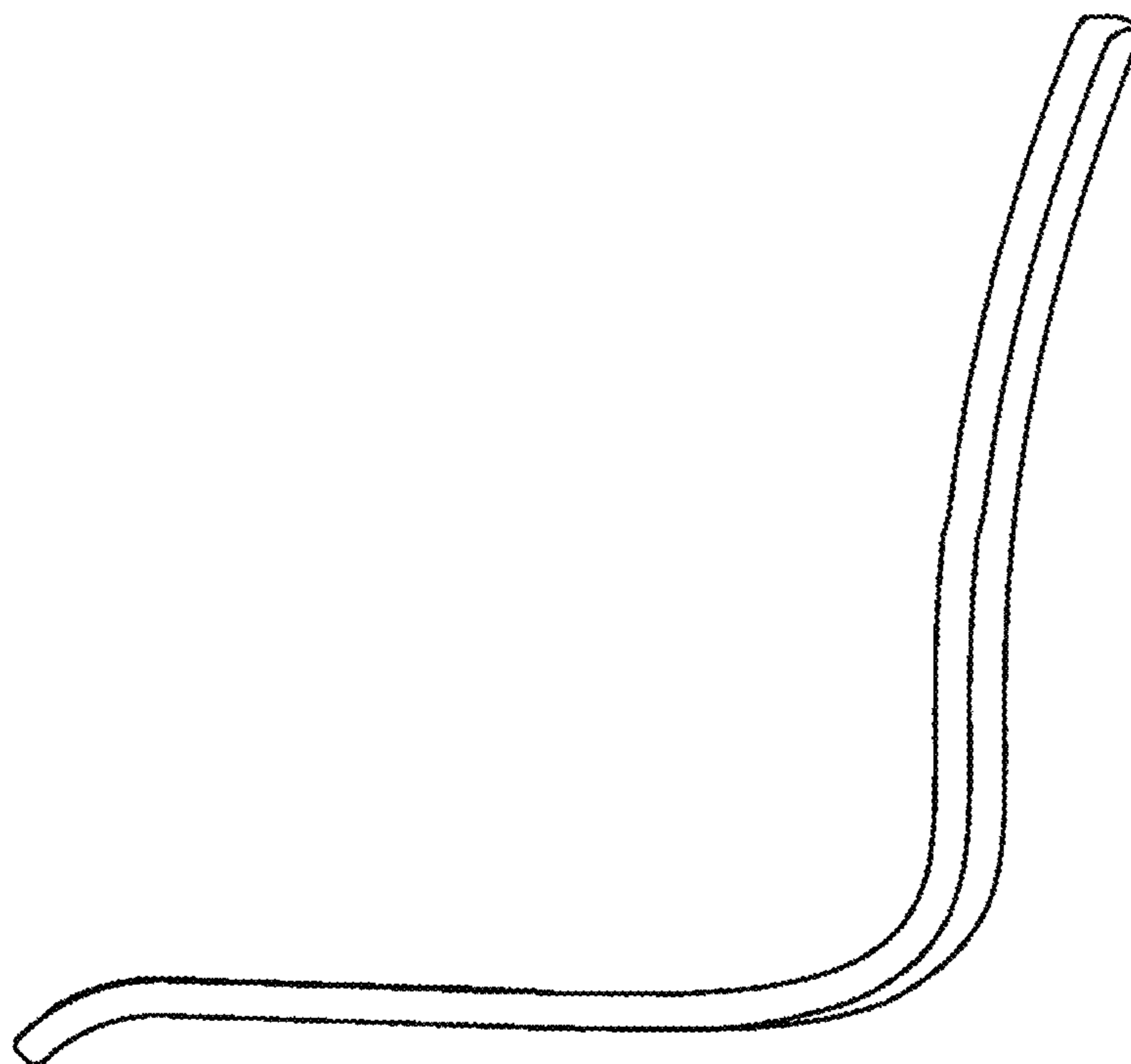


FIG.4

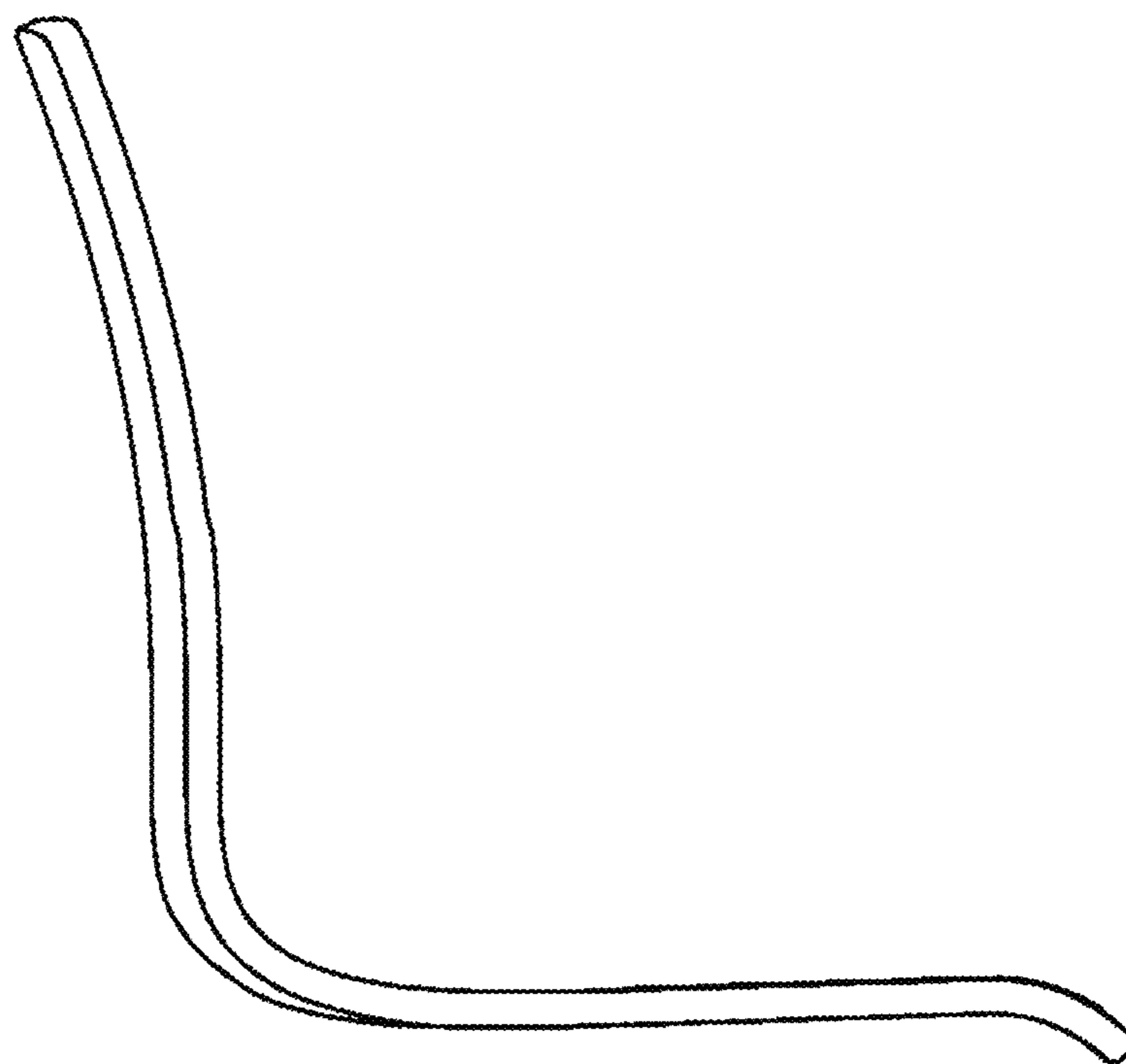


FIG.5

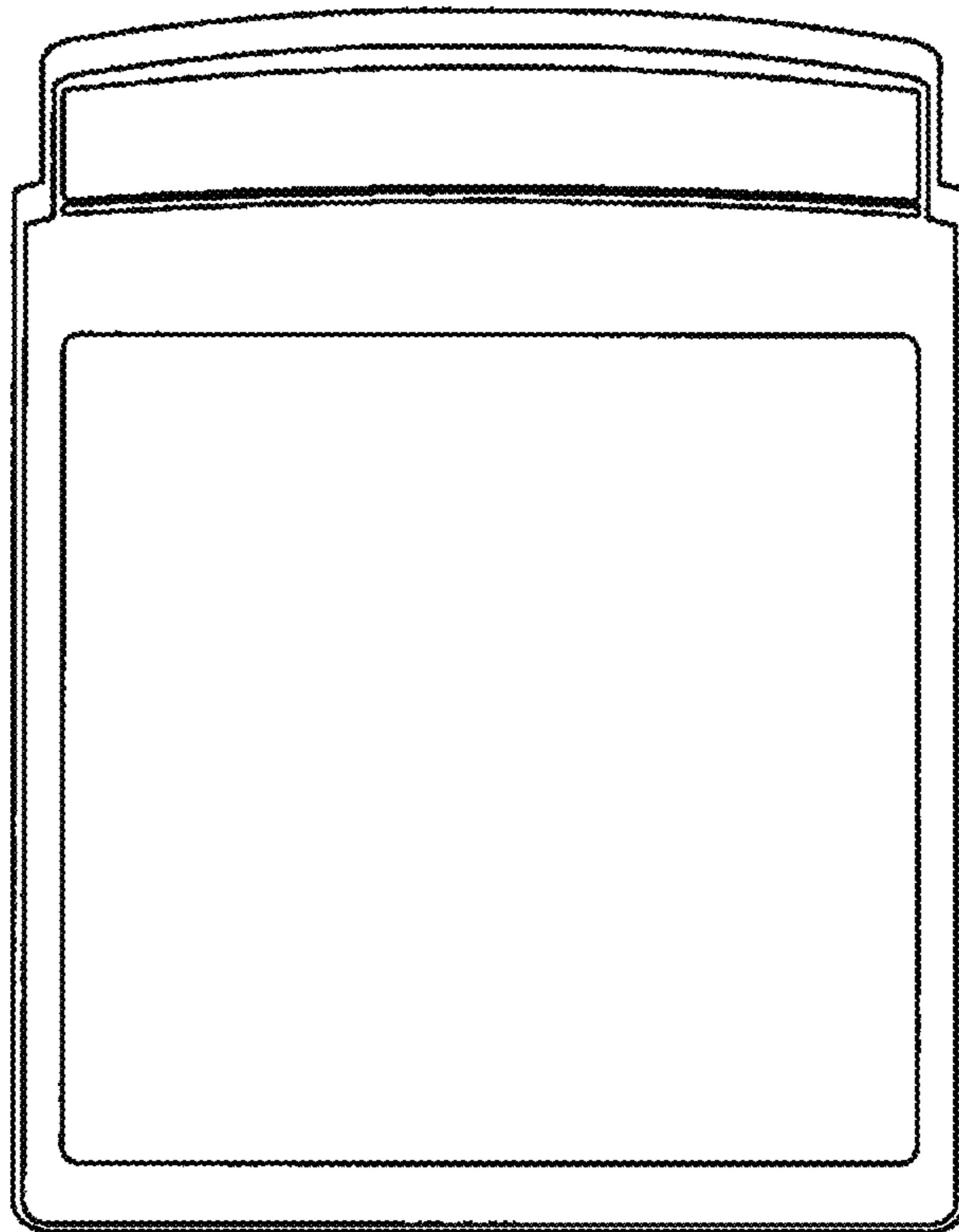


FIG. 6

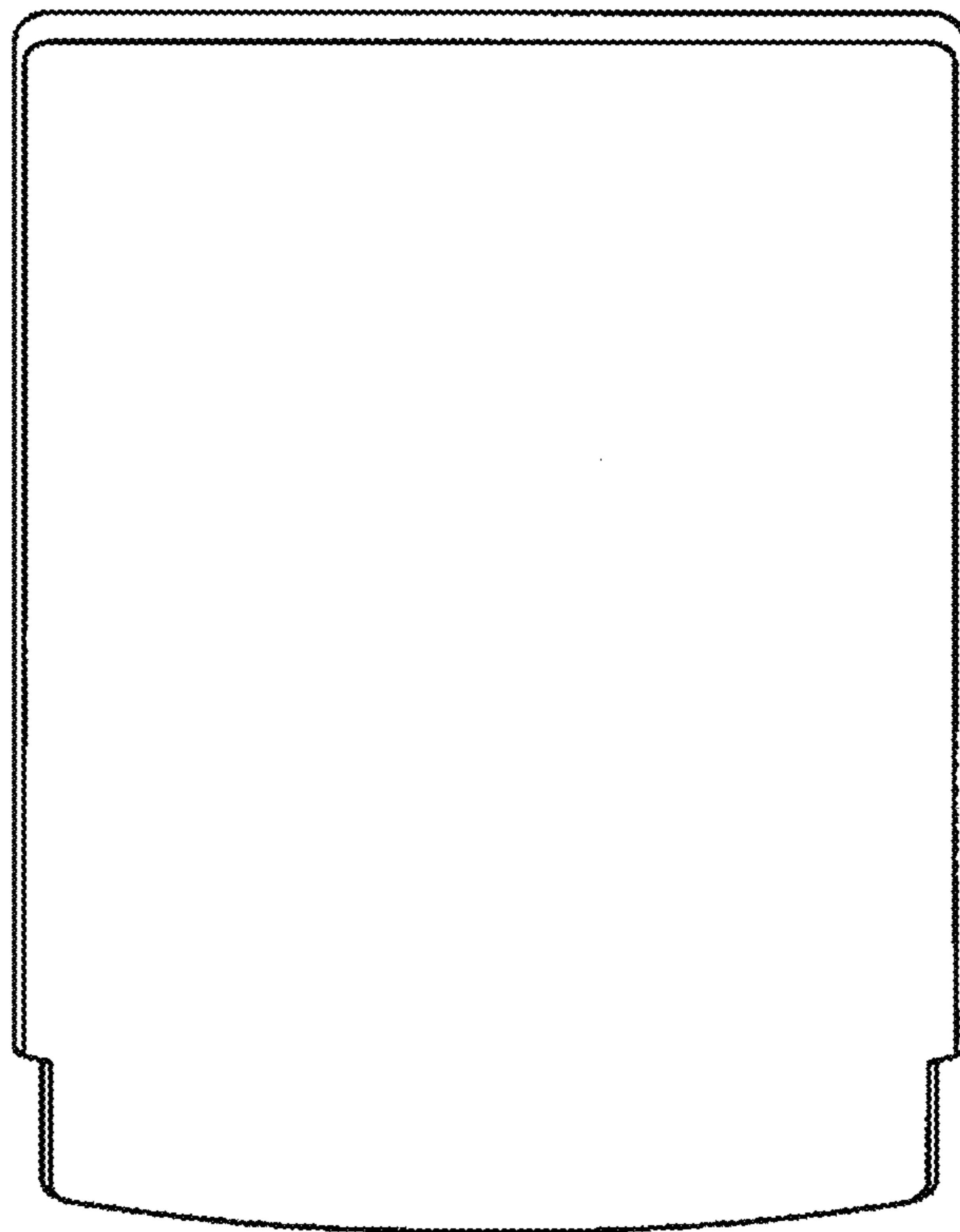


FIG.7