



US00D833790S

(12) **United States Design Patent** (10) **Patent No.:** **US D833,790 S**
Mengshoel et al. (45) **Date of Patent:** **** Nov. 20, 2018**

(54) **BASE PORTION OF A CHAIR**
(71) Applicant: **Fully LLC**, Portland, OR (US)
(72) Inventors: **Hans Christian Mengshoel**, Gaupen (NO); **David Kahl**, Portland, OR (US)
(73) Assignee: **Fully LLC**, Portland, OR (US)
(**) Term: **15 Years**
(21) Appl. No.: **29/597,817**
(22) Filed: **Mar. 20, 2017**
(51) **LOC (11) Cl.** **06-06**
(52) **U.S. Cl.**
USPC **D6/708.17**; D6/716; D6/708; D6/349
(58) **Field of Classification Search**
USPC D6/334, 336, 349–353, 360, 364, 365, D6/367, 371–373, 374, 403–405, 601, D6/691–691.9, 692–692.6, 716–716.3, D6/708, 708.17, 708.21
CPC A47B 7/00; A47B 7/02; A47B 9/00; A47B 13/02; A47B 23/00; A47B 39/00; A47C 3/18; A47C 3/20; A47C 7/002; A47C 7/18; A47C 9/002; A47C 9/007; A47C 9/02; A47C 9/025; A47C 9/08; A47C 11/00; A47C 12/00; A47C 13/00; A47C 16/02; A47C 16/04
See application file for complete search history.

(56) **References Cited**
U.S. PATENT DOCUMENTS
4,078,757 A * 3/1978 Waters A47B 19/02 108/150
4,099,697 A * 7/1978 Von Schuckmann A47C 3/026 248/398
D263,131 S * 2/1982 Mitchell D12/203
D295,348 S * 4/1988 Muller D6/406.2
D320,703 S * 10/1991 Burkhart D6/348
D341,031 S * 11/1993 Burkhart D6/348

D454,438 S * 3/2002 Volkman A47C 9/027 D6/349
D467,745 S * 12/2002 Ryan D6/364
D586,573 S * 2/2009 Saitou D6/349
D621,641 S * 8/2010 Li D6/691.4
D682,566 S * 5/2013 Parker D6/349
D694,044 S * 11/2013 Copeland D6/656.15
D697,328 S * 1/2014 Keen D6/353
D711,675 S * 8/2014 Sato D6/349
8,960,104 B2 * 2/2015 Copeland A47B 3/00 108/117
D730,087 S * 5/2015 Strater D6/656.13
D741,073 S * 10/2015 Keen D6/349
D758,747 S * 6/2016 Lenz D6/349
D808,194 S * 1/2018 Wyborn D6/601
9,861,202 B2 * 1/2018 Qi A47C 3/026
(Continued)

OTHER PUBLICATIONS

Tic Toc The evolution of the everyday chair. [online] Published on Mar. 17, 2017. Retrieved Feb. 14, 2018 from URL: <https://www.fully.com/tic-toc-chair.html>.*

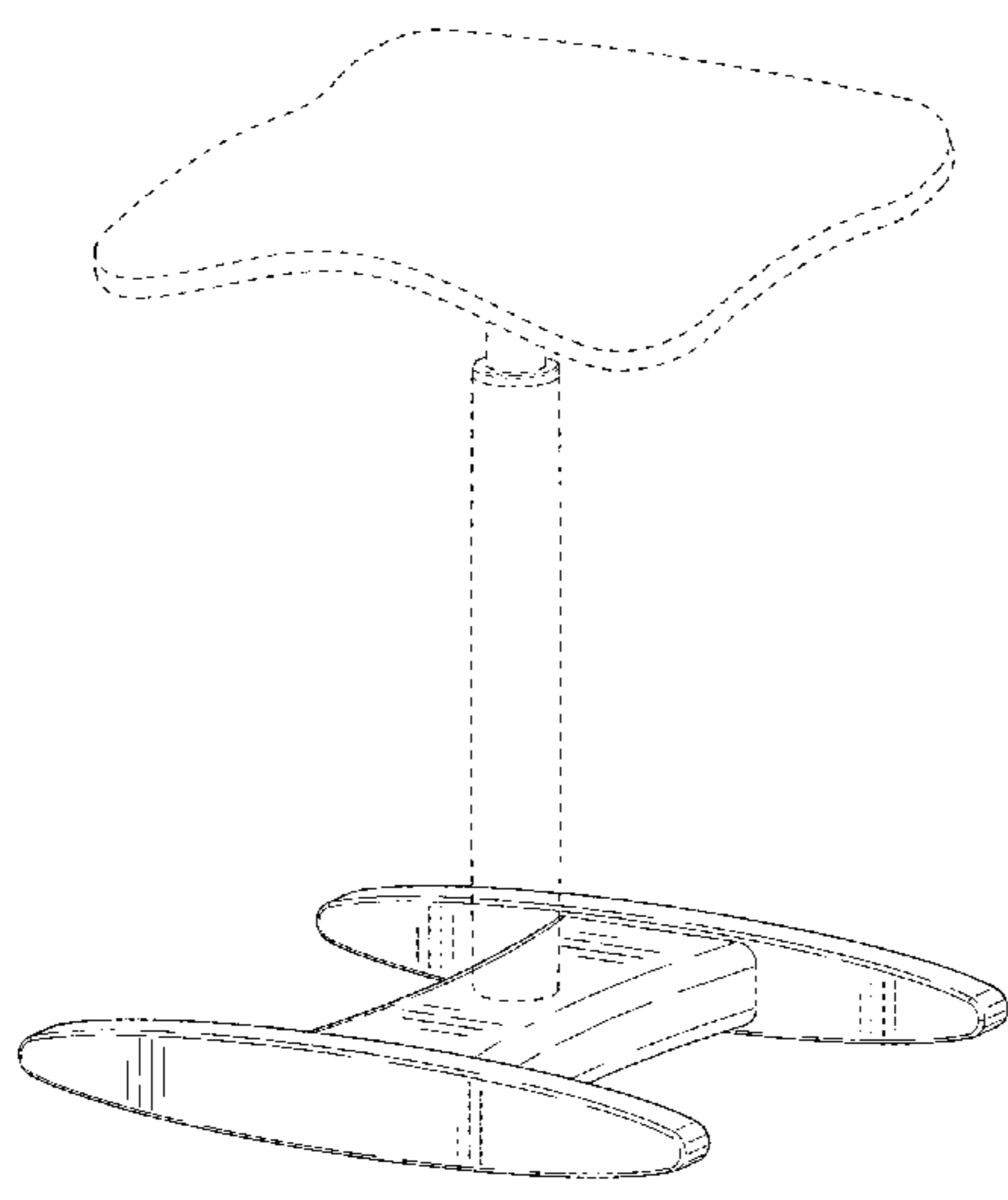
Primary Examiner — Vy N Koenig
(74) *Attorney, Agent, or Firm* — Klarquist Sparkman, LLP

(57) **CLAIM**
The ornamental design for a base portion of a chair, as shown and described.

DESCRIPTION

FIG. 1 is a perspective view of a base portion of a chair. FIG. 2 is a front view of the base portion of FIG. 1. FIG. 3 is a rear view of the base portion of FIG. 1. FIG. 4 is a left side view of the base portion of FIG. 1. FIG. 5 is a right side view of the base portion of FIG. 1. FIG. 6 is a top view of the base portion of FIG. 1; and, FIG. 7 is a bottom view of the base portion of FIG. 1. The broken lines in the figures illustrate the environment of the claimed design and form no part of the claimed design.

1 Claim, 4 Drawing Sheets



(56)

References Cited

U.S. PATENT DOCUMENTS

9,894,998 B2 * 2/2018 Walser A47C 3/02
2017/0105530 A1 * 4/2017 Sheinkop A47C 1/022

* cited by examiner

Fig. 1

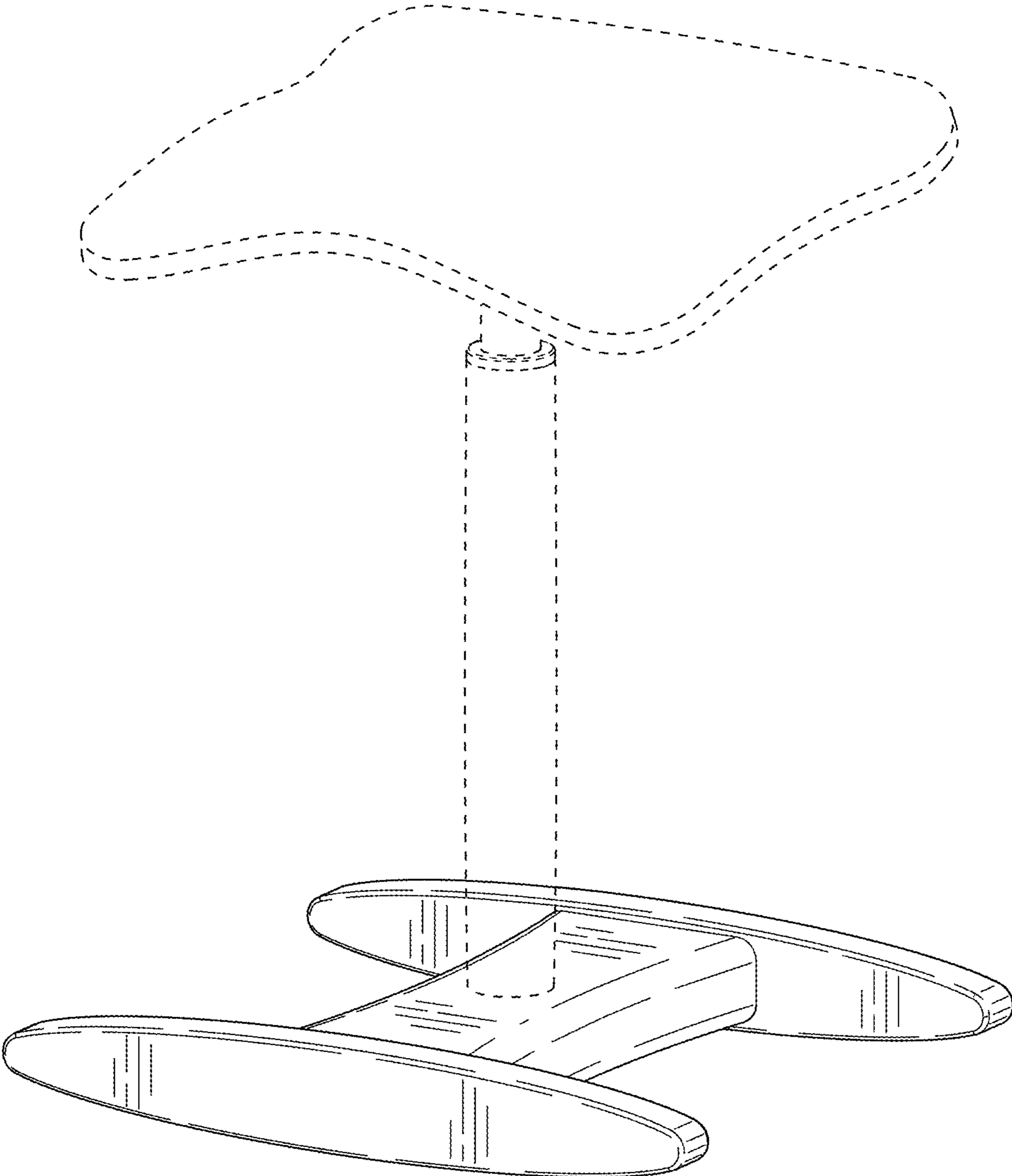


Fig. 3

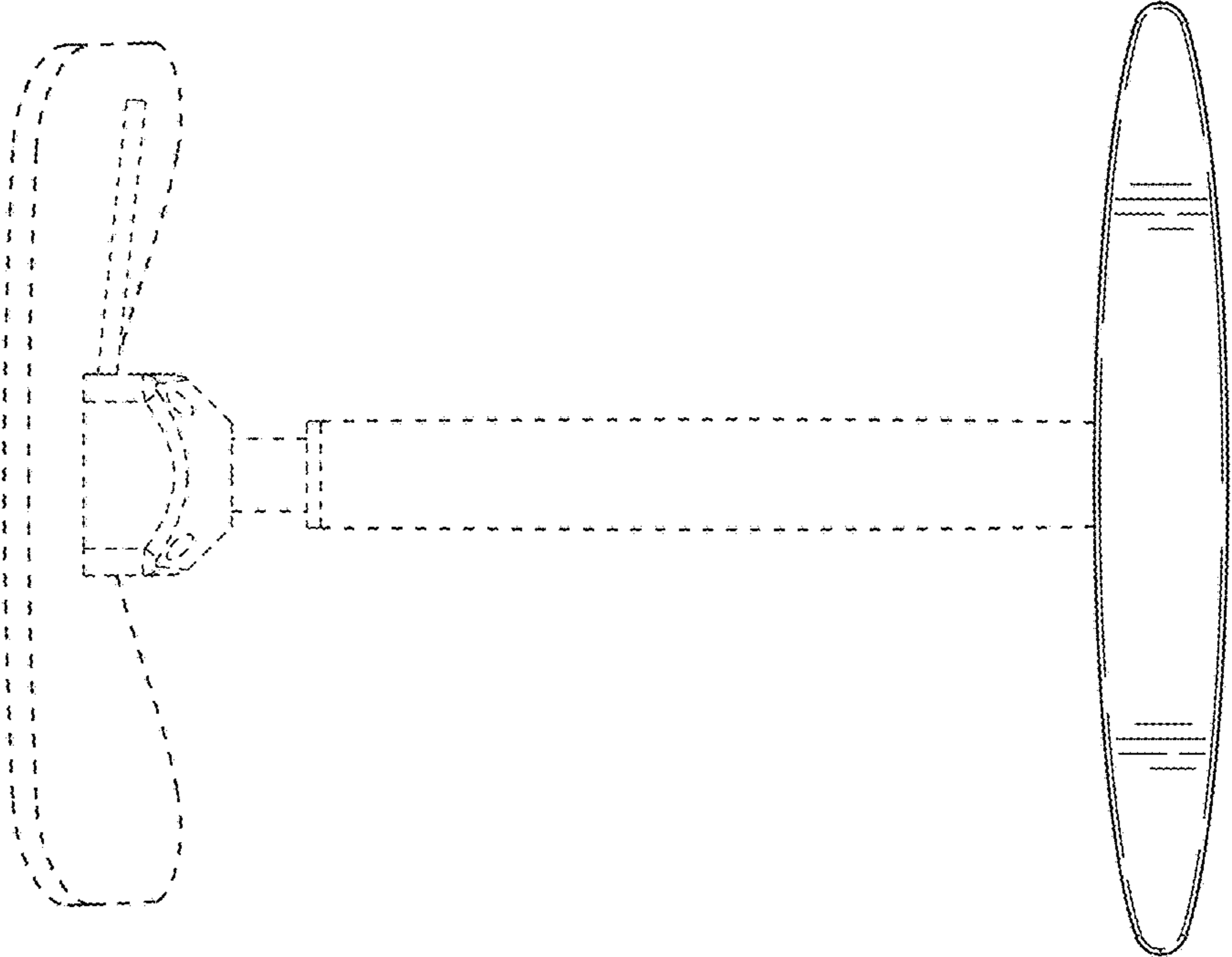


Fig. 2

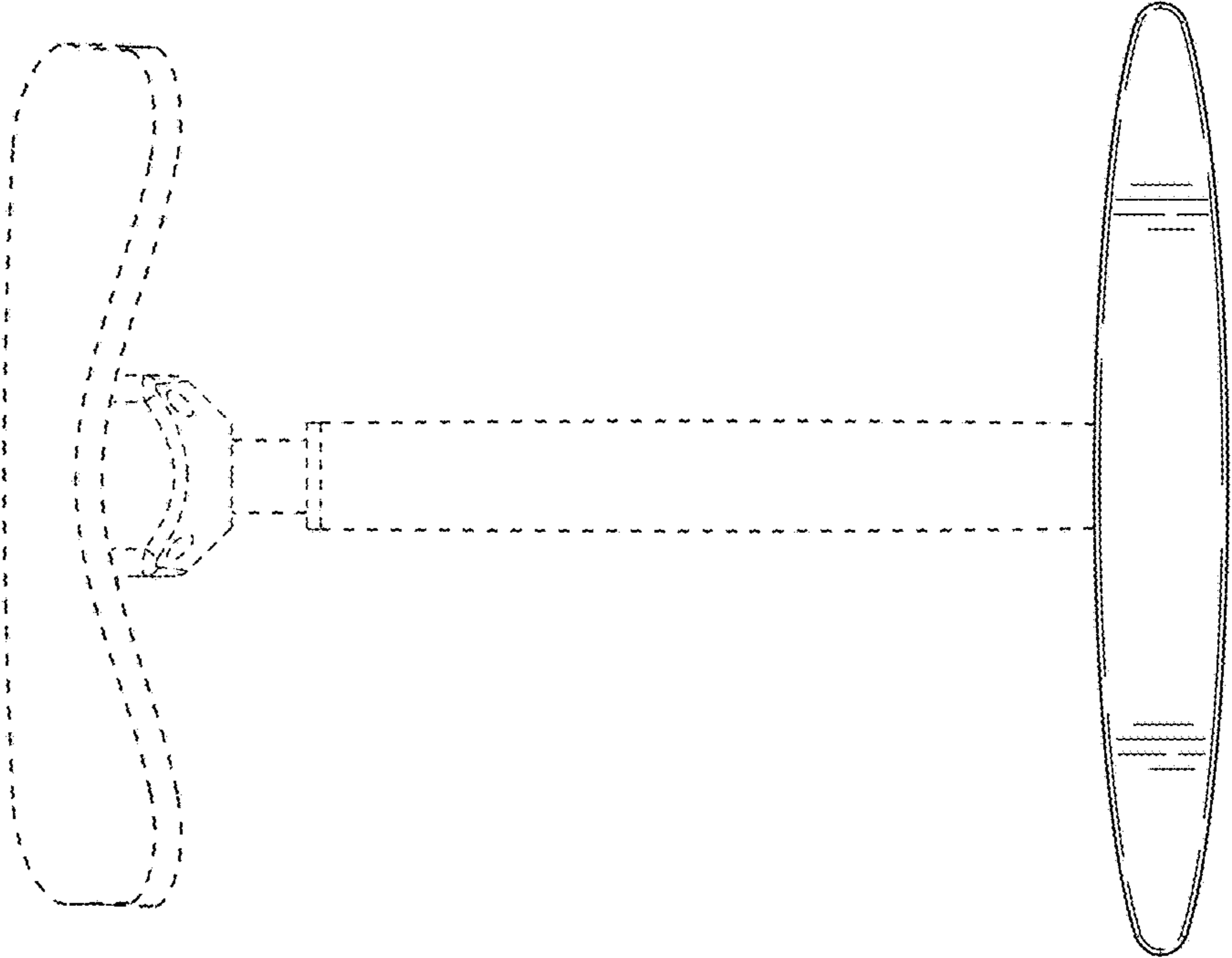


Fig. 5

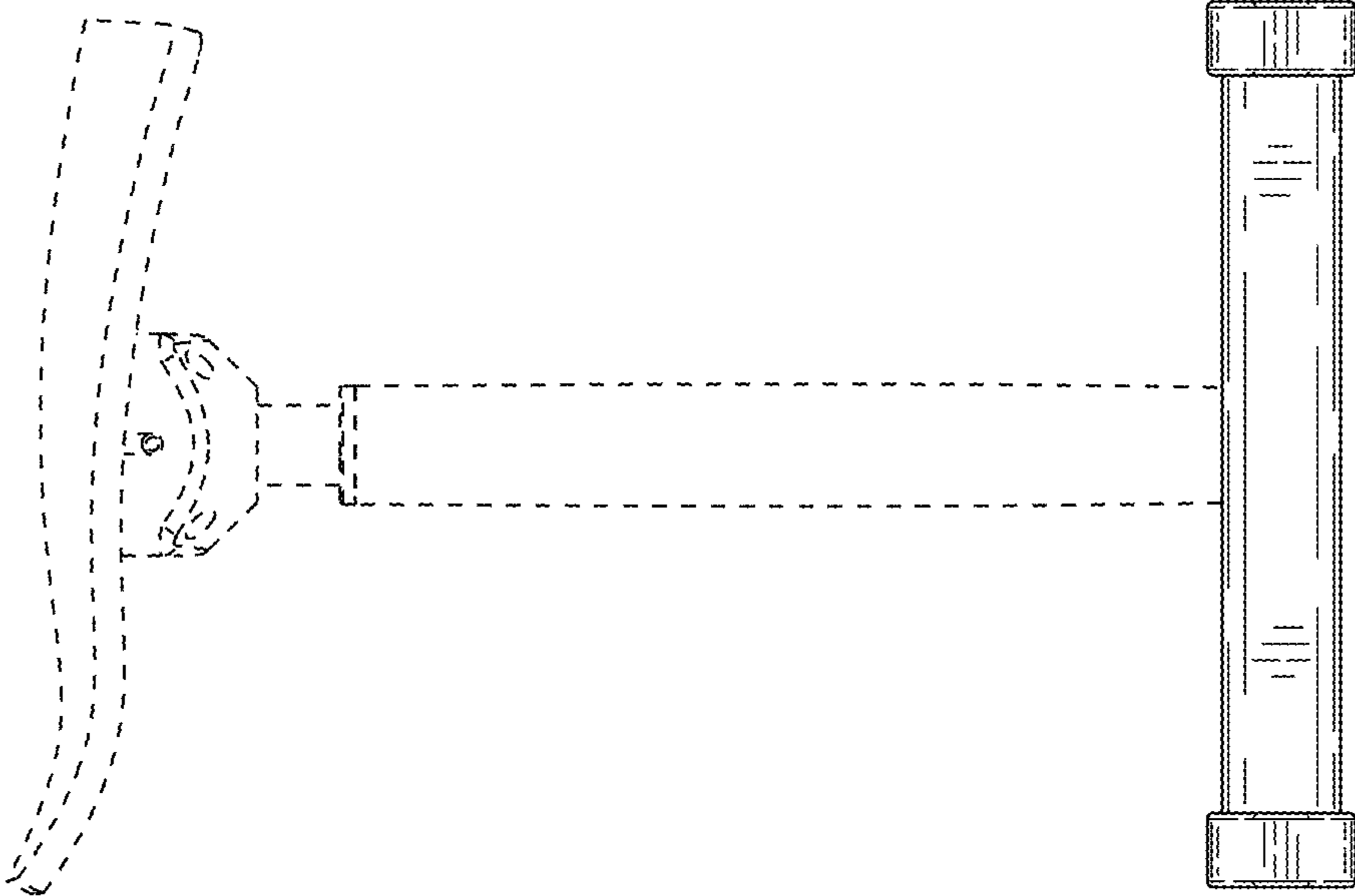


Fig. 4

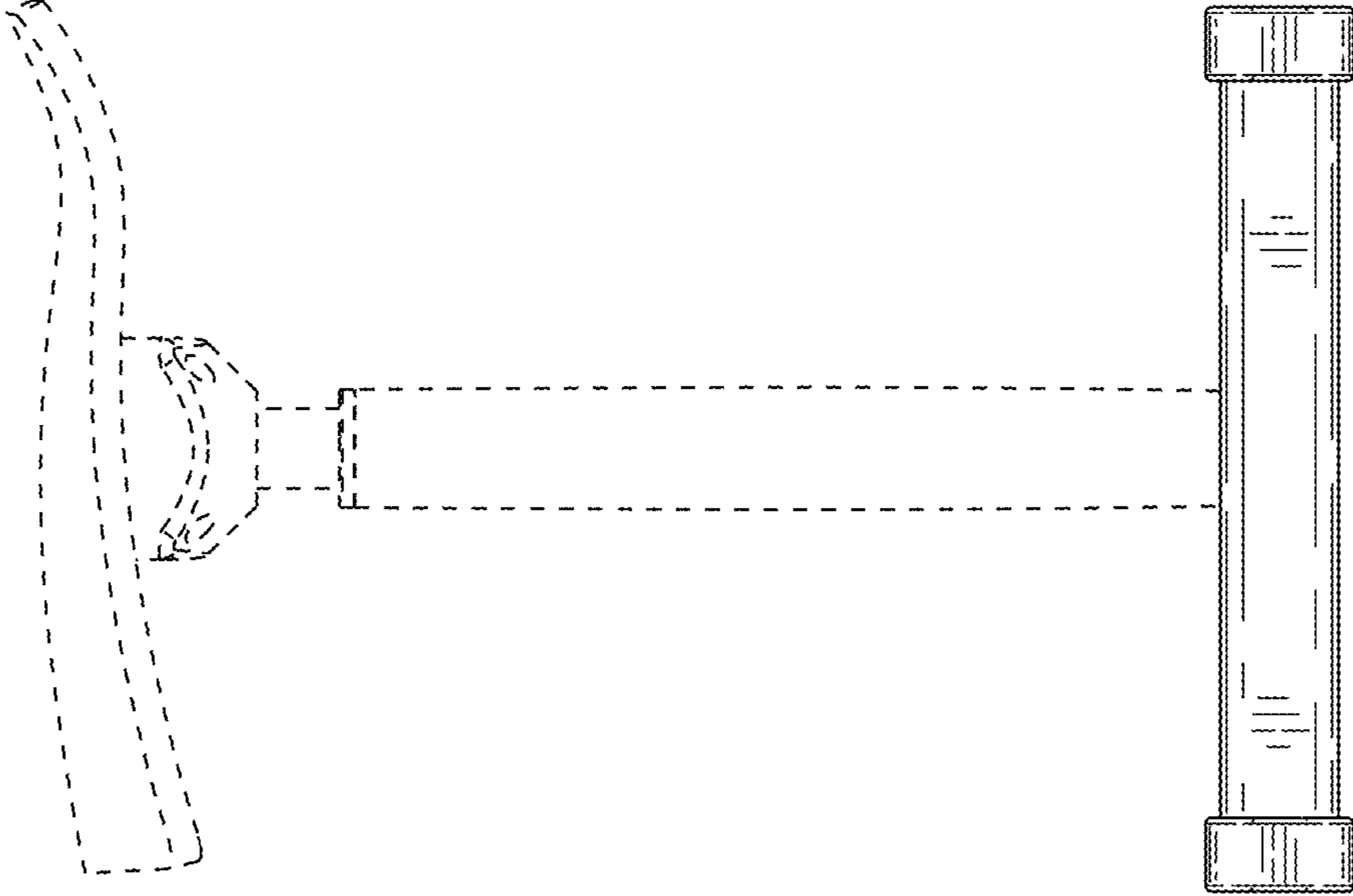


Fig. 6

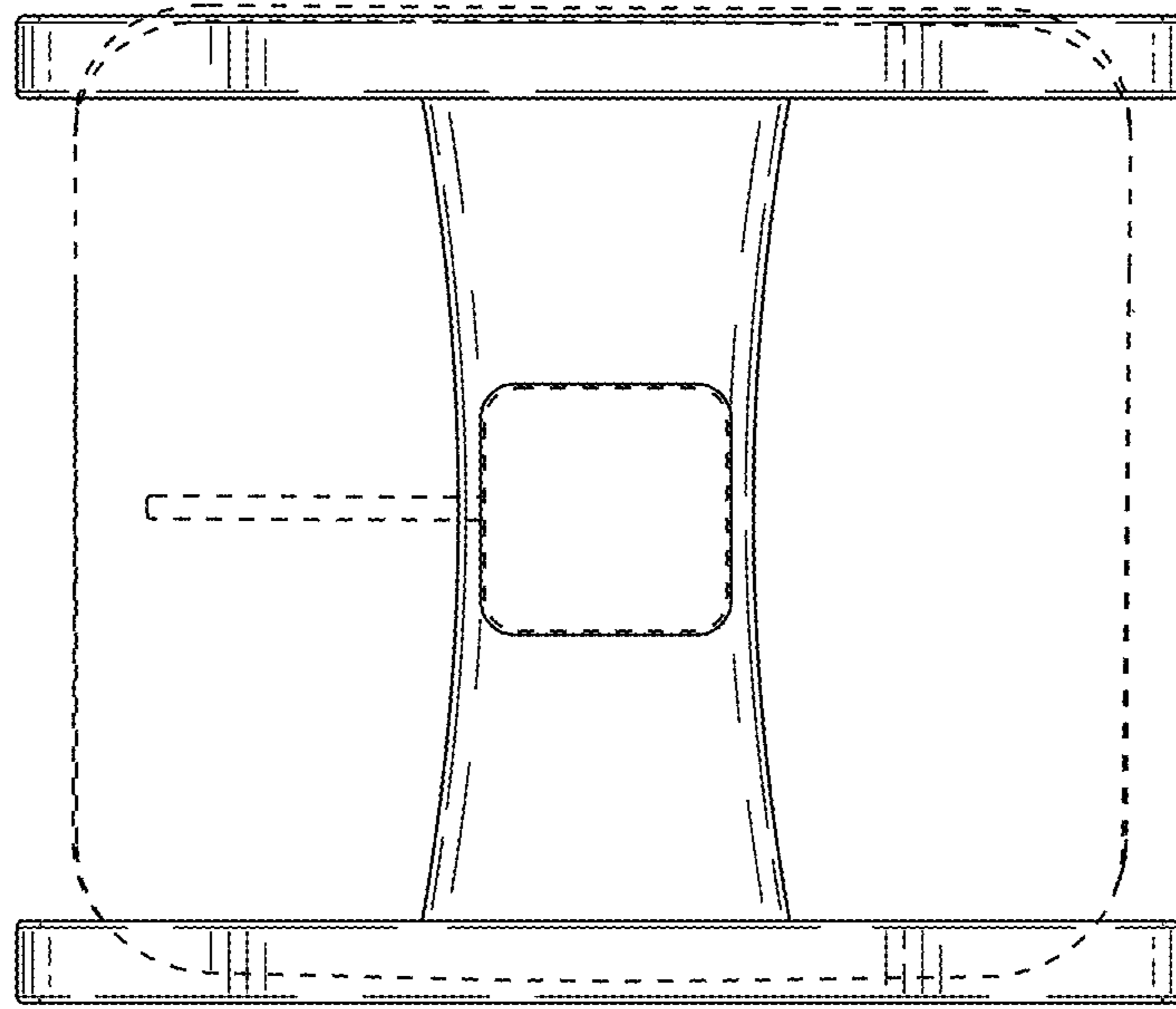


Fig. 7

