



US00D833788S

(12) **United States Design Patent** (10) **Patent No.:** **US D833,788 S**
Wald (45) **Date of Patent:** **** Nov. 20, 2018**

(54) **ADJUSTABLE SHELF**
(71) Applicant: **Kristin Wald**, Los Angeles, CA (US)
(72) Inventor: **Kristin Wald**, Los Angeles, CA (US)
(**) Term: **15 Years**
(21) Appl. No.: **29/563,443**
(22) Filed: **May 4, 2016**
(51) **LOC (11) Cl.** **08-08**
(52) **U.S. Cl.**
USPC **D6/705**; D6/562
(58) **Field of Classification Search**
USPC D6/705, 562, 566, 536, 540, 567, 570;
211/13.1, 74, 71.01, 86.01, 75, 88.01,
211/90.01, 90.03, 106, 119, 126.1, 133.5,
211/181.1, 134
CPC A47B 81/00; A47B 45/00; A47B 57/00;
A47B 57/26; A47B 96/02; B65D 21/086;
B65D 25/04; E06C 1/381; A47C 16/02
See application file for complete search history.

D395,488 S * 6/1998 Joss D23/304
D407,251 S * 3/1999 Hampshire D6/540
D408,185 S * 4/1999 Hofman D6/525
D416,415 S * 11/1999 Ming-Hsiao D6/540
D419,020 S * 1/2000 Emery D6/525
D421,692 S * 3/2000 Wojtowicz D6/525
D421,867 S * 3/2000 Carville D6/525
D429,934 S * 8/2000 Hofman D6/525
D443,162 S * 6/2001 Winter D6/525
D449,479 S * 10/2001 Snell D6/562
D475,229 S * 6/2003 Suero A47K 3/281
D6/525

(Continued)

FOREIGN PATENT DOCUMENTS

GB 2210784 A 6/1989

OTHER PUBLICATIONS

Cotidea.com, The shower sidekick, Mar. 13, 2016, <http://cotidea.com/>.*

Primary Examiner — David Muller
Assistant Examiner — Nathan Johnston
(74) *Attorney, Agent, or Firm* — KPPB LLP

(56) **References Cited**
U.S. PATENT DOCUMENTS

2,567,595 A 9/1951 Bryant et al.
2,634,795 A 4/1953 Bishop et al.
2,818,577 A 1/1958 Kubik et al.
3,161,435 A 12/1964 Halverson et al.
4,270,463 A 6/1981 Korzon et al.
4,930,839 A 6/1990 Saito et al.
D323,439 S * 1/1992 Emery D6/562
5,188,424 A 2/1993 Herron et al.
5,348,168 A * 9/1994 Emery A47K 3/281
211/106
D351,751 S * 10/1994 Brightbill D6/525
D367,576 S * 3/1996 Hickey-Niezgoda D6/536
5,579,545 A 12/1996 Beard et al.
D379,412 S * 5/1997 Hampshire D6/562
5,647,072 A 7/1997 Shaffer et al.
D382,751 S * 8/1997 Andrus D6/525
D384,848 S * 10/1997 von Buelow D6/524

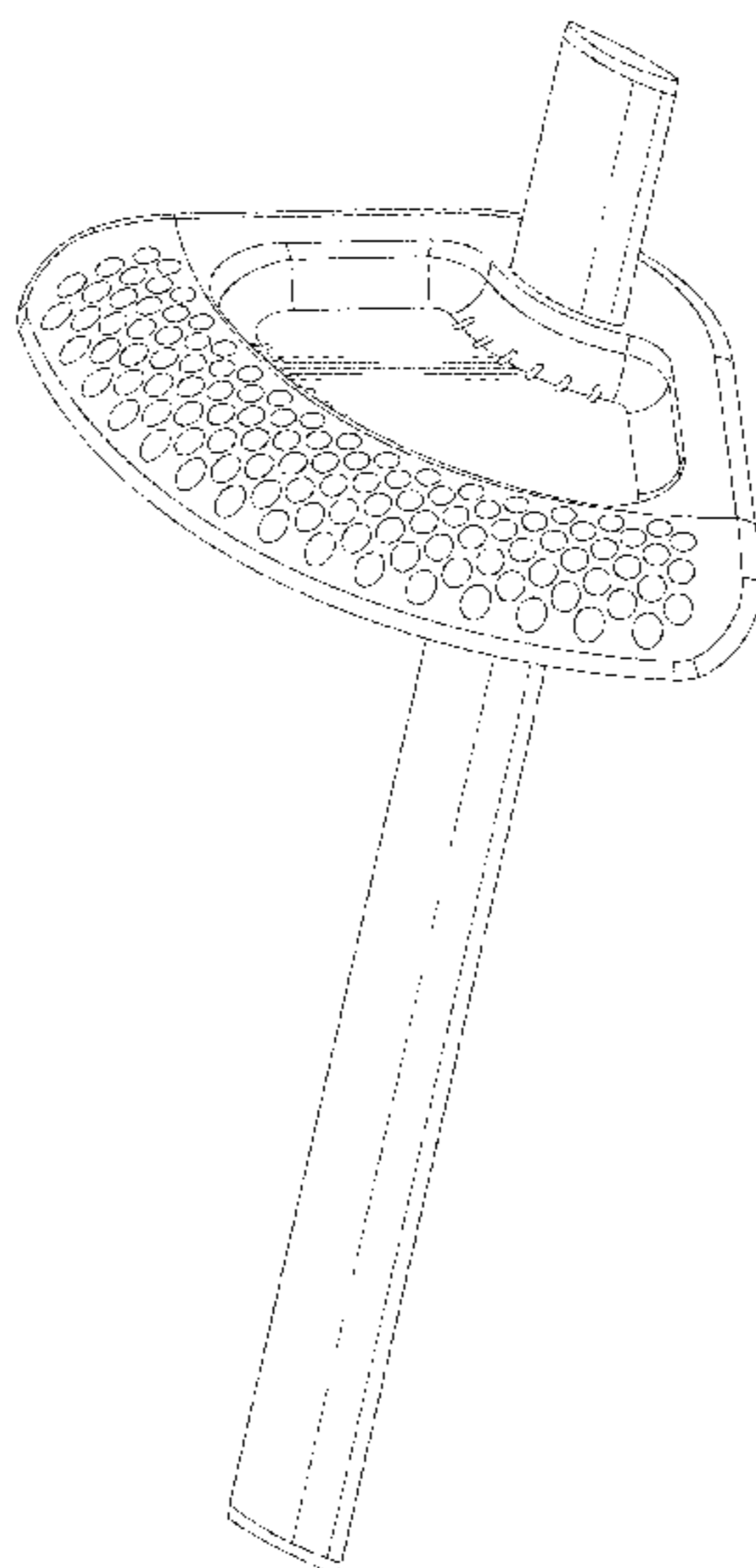
(57) **CLAIM**

The ornamental design for an adjustable shelf, as shown and described.

DESCRIPTION

FIG. 1 is a top isometric view of an adjustable shelf showing my new design.
FIG. 2 is a bottom isometric view thereof.
FIG. 3 is a right front side elevation view thereof.
FIG. 4 is a left rear side elevation view thereof.
FIG. 5 is left front side elevation view thereof.
FIG. 6 is right rear side elevation view thereof.
FIG. 7 is a top plan view thereof; and,
FIG. 8 is a bottom plan view thereof.

1 Claim, 7 Drawing Sheets



(56)

References Cited

U.S. PATENT DOCUMENTS

D475,561	S *	6/2003	Suero, Jr.	D6/525
D475,562	S *	6/2003	Suero, Jr.	D6/525
D485,104	S *	1/2004	Suero, Jr.	A47K 3/281 D6/525
D485,462	S *	1/2004	Suero, Jr.	A47K 3/281 D6/525
6,688,238	B1 *	2/2004	Alexiou	A47K 3/281 108/42
6,848,368	B2	2/2005	Leith et al.	
D513,142	S *	12/2005	Suero, Jr.	D6/525
D532,636	S *	11/2006	Thorsteinsson	D6/540
D543,747	S *	6/2007	Harwanko	D6/525
D543,748	S *	6/2007	Harwanko	D6/525
D569,148	S *	5/2008	Yang	D6/525
D572,502	S *	7/2008	Yang	D6/525
D573,387	S *	7/2008	Walker	D6/525
D620,293	S *	7/2010	Guindi	D6/562
D635,807	S *	4/2011	Lindo	D6/525
D651,838	S *	1/2012	Yang	D6/525
D688,064	S *	8/2013	Couture	D6/562
8,628,143	B2	1/2014	Wald et al.	
D699,974	S *	2/2014	Snider	D6/525
D699,975	S *	2/2014	Snider	D6/525
2006/0143820	A1	7/2006	Matthews et al.	
2009/0277068	A1	11/2009	Lamar et al.	
2013/0313212	A1 *	11/2013	Lindo	A47K 3/281 211/119.011
2013/0334156	A1 *	12/2013	Baines	A47B 55/00 211/134
2014/0263124	A1 *	9/2014	Tesdal	A47K 3/281 211/134

* cited by examiner

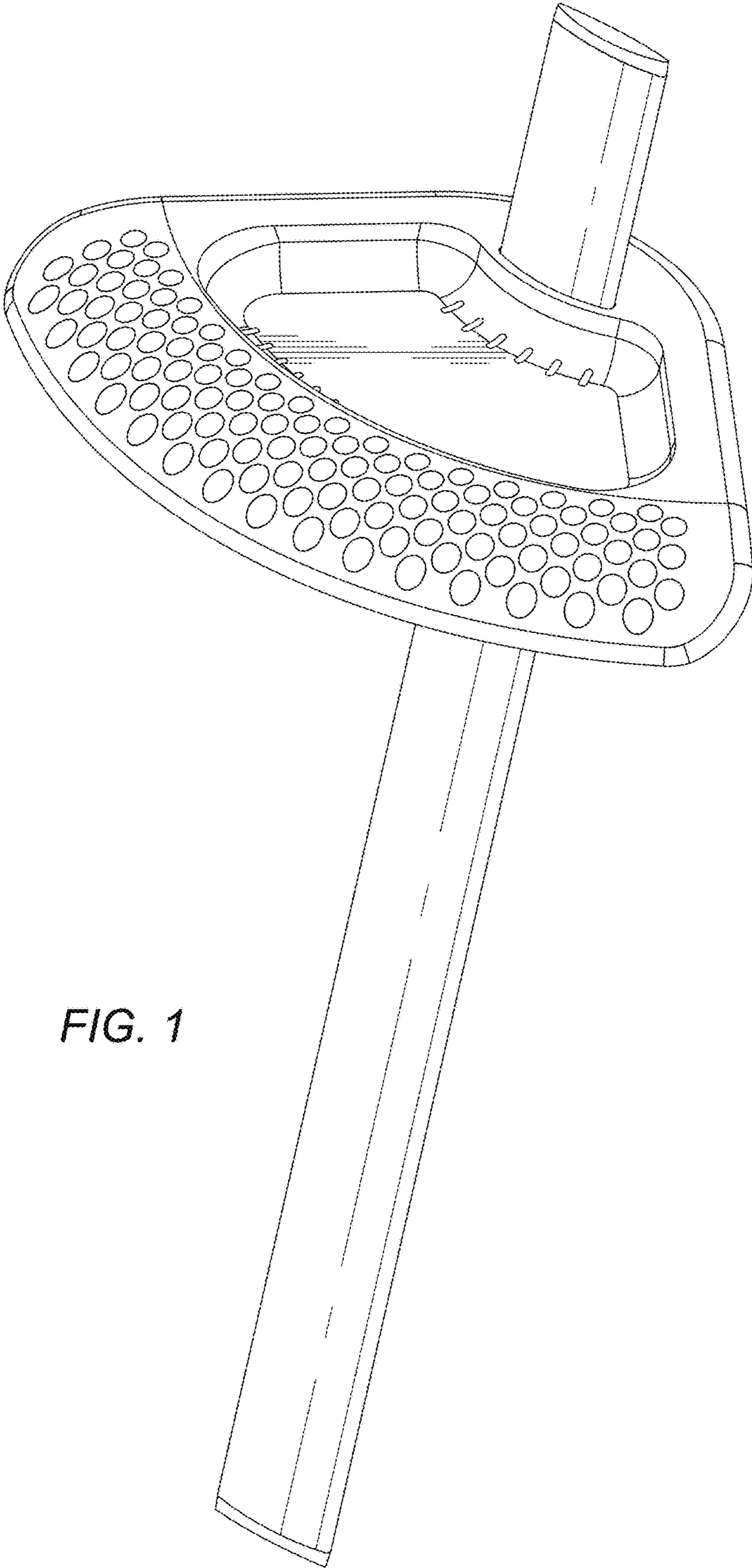


FIG. 1

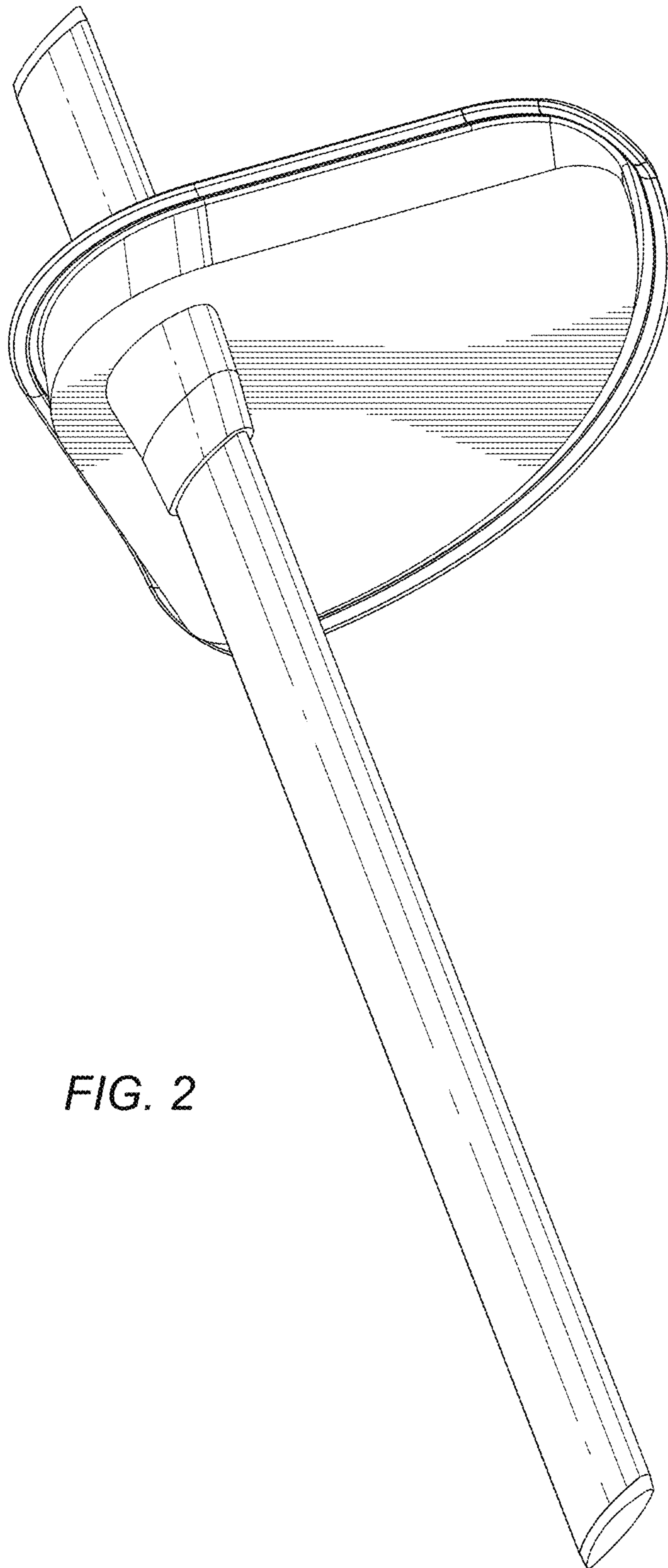


FIG. 2

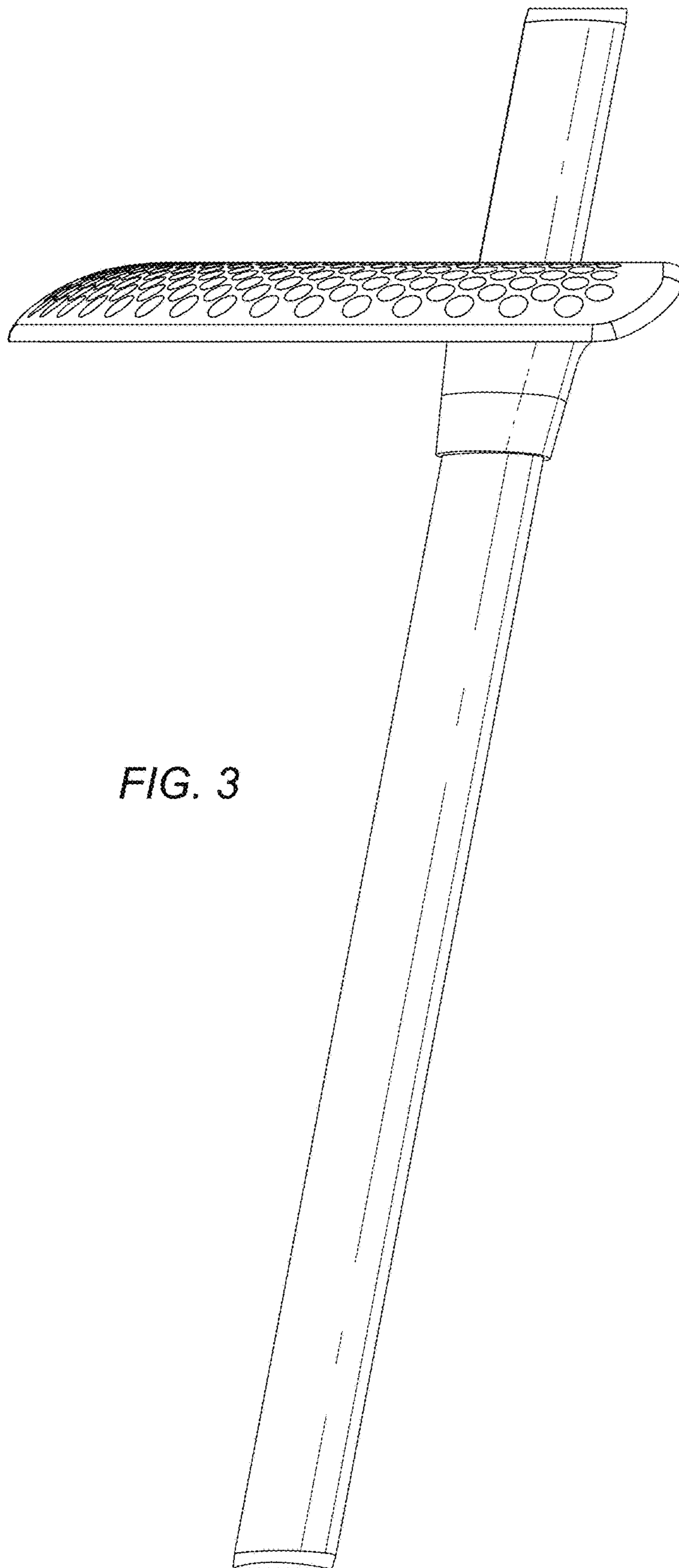


FIG. 3

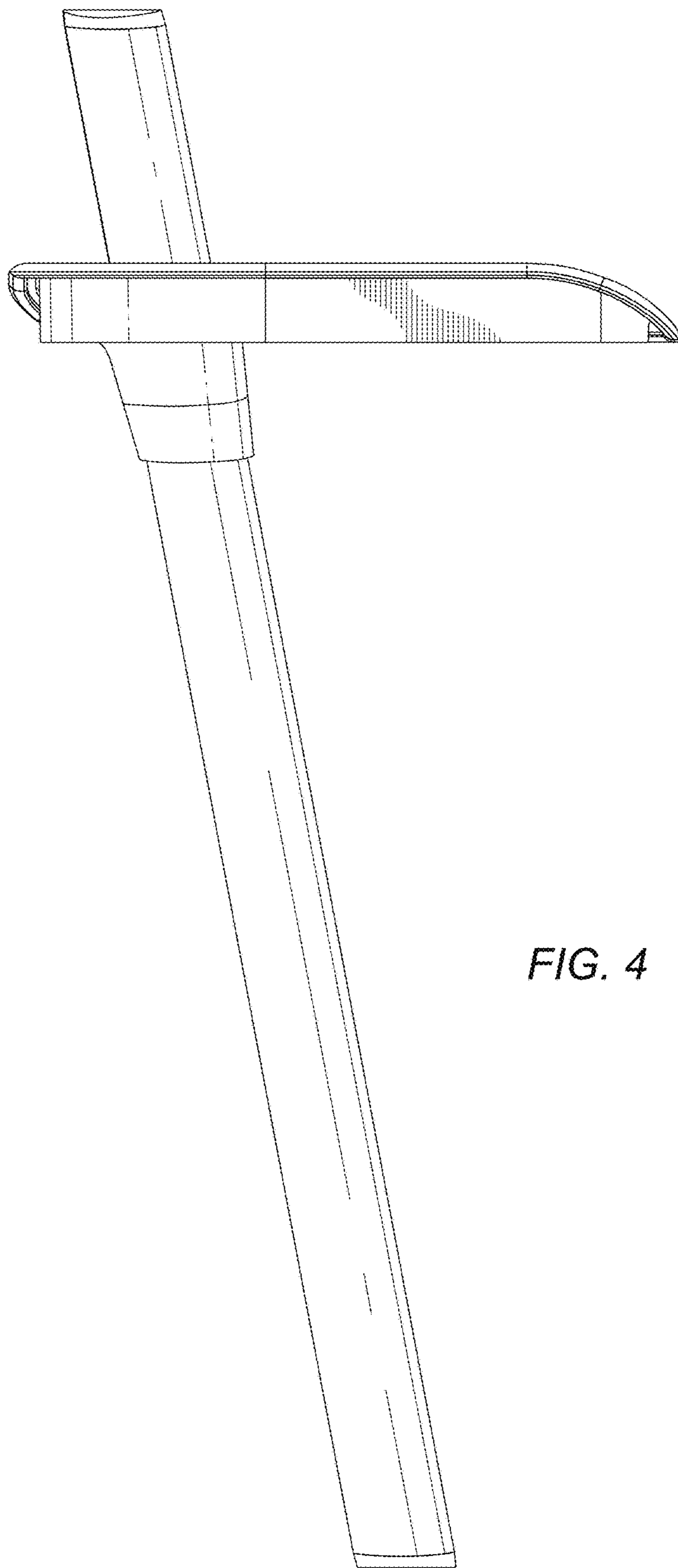


FIG. 4

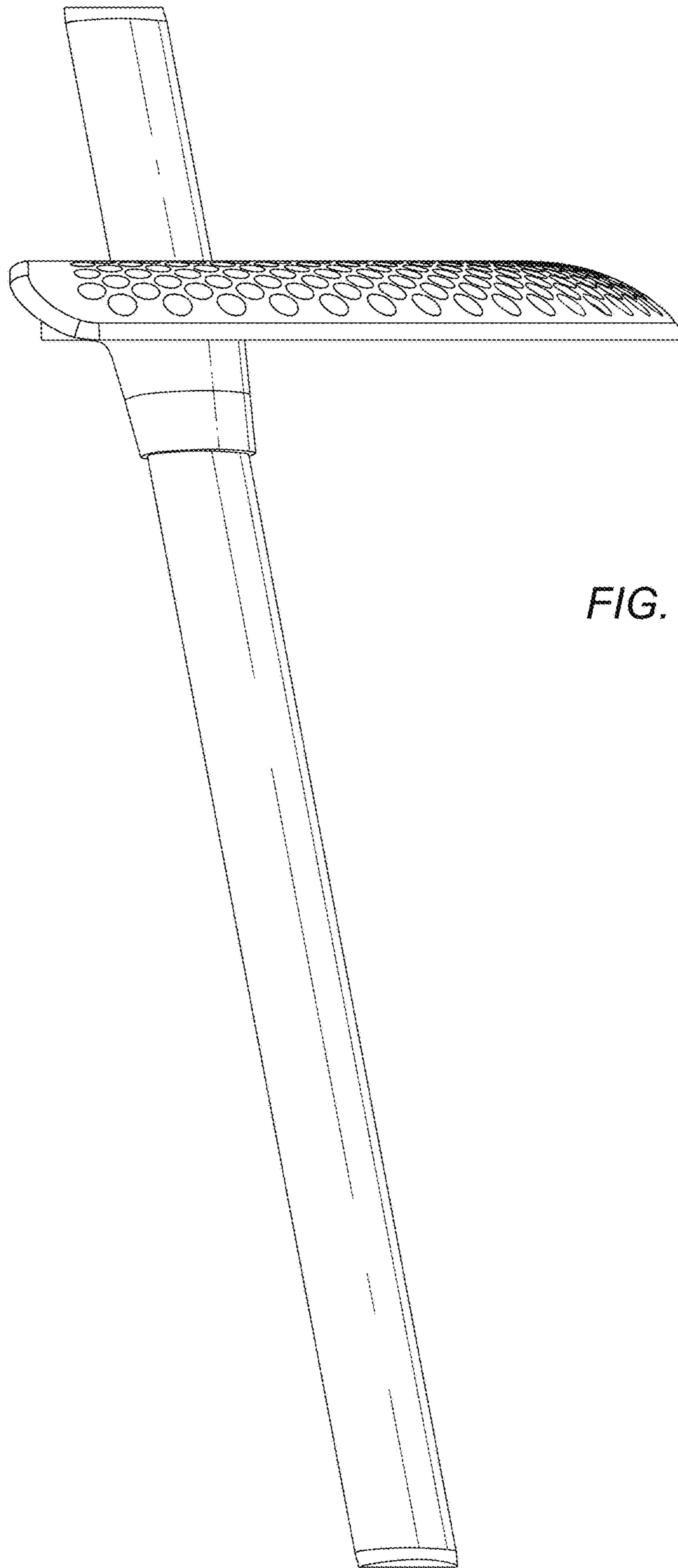


FIG. 5

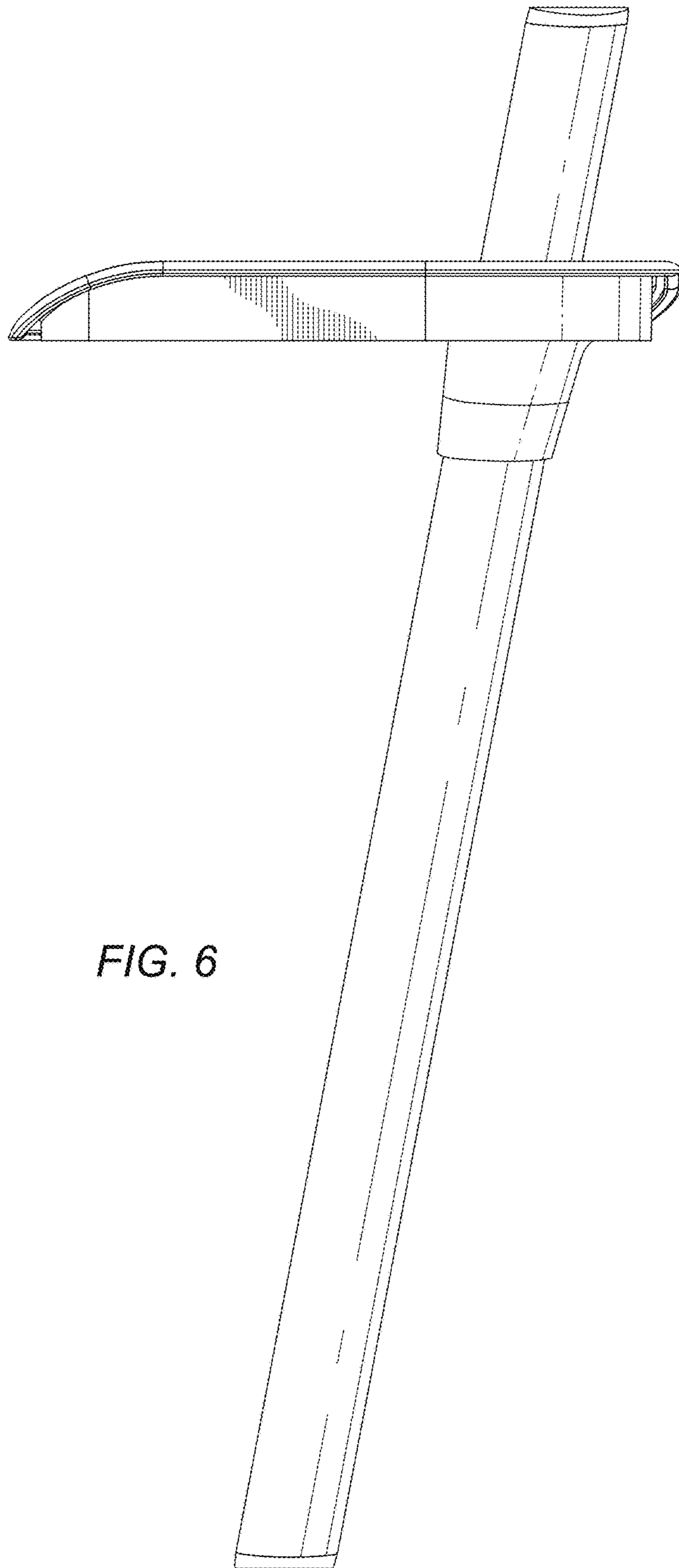


FIG. 6

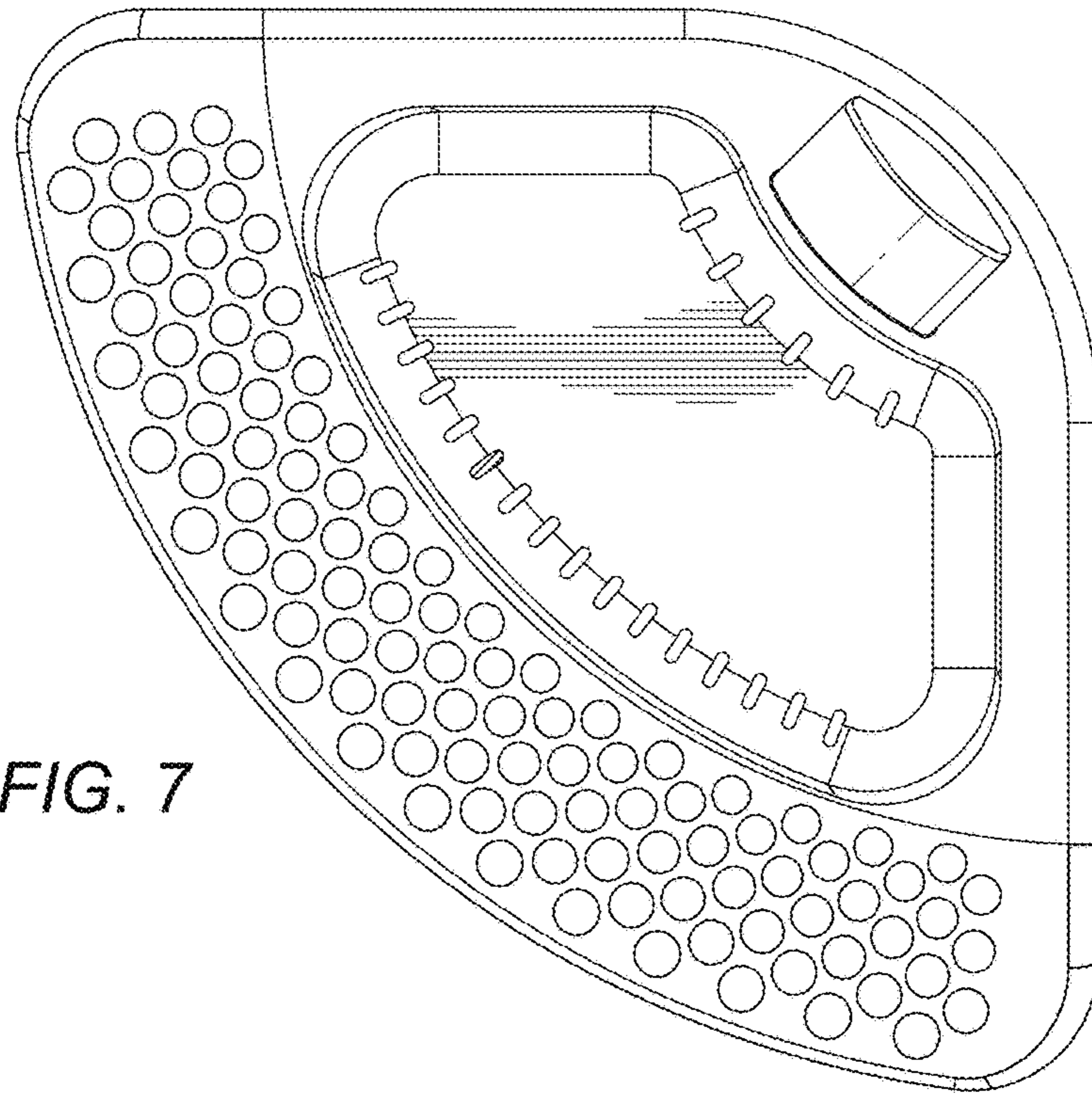


FIG. 7

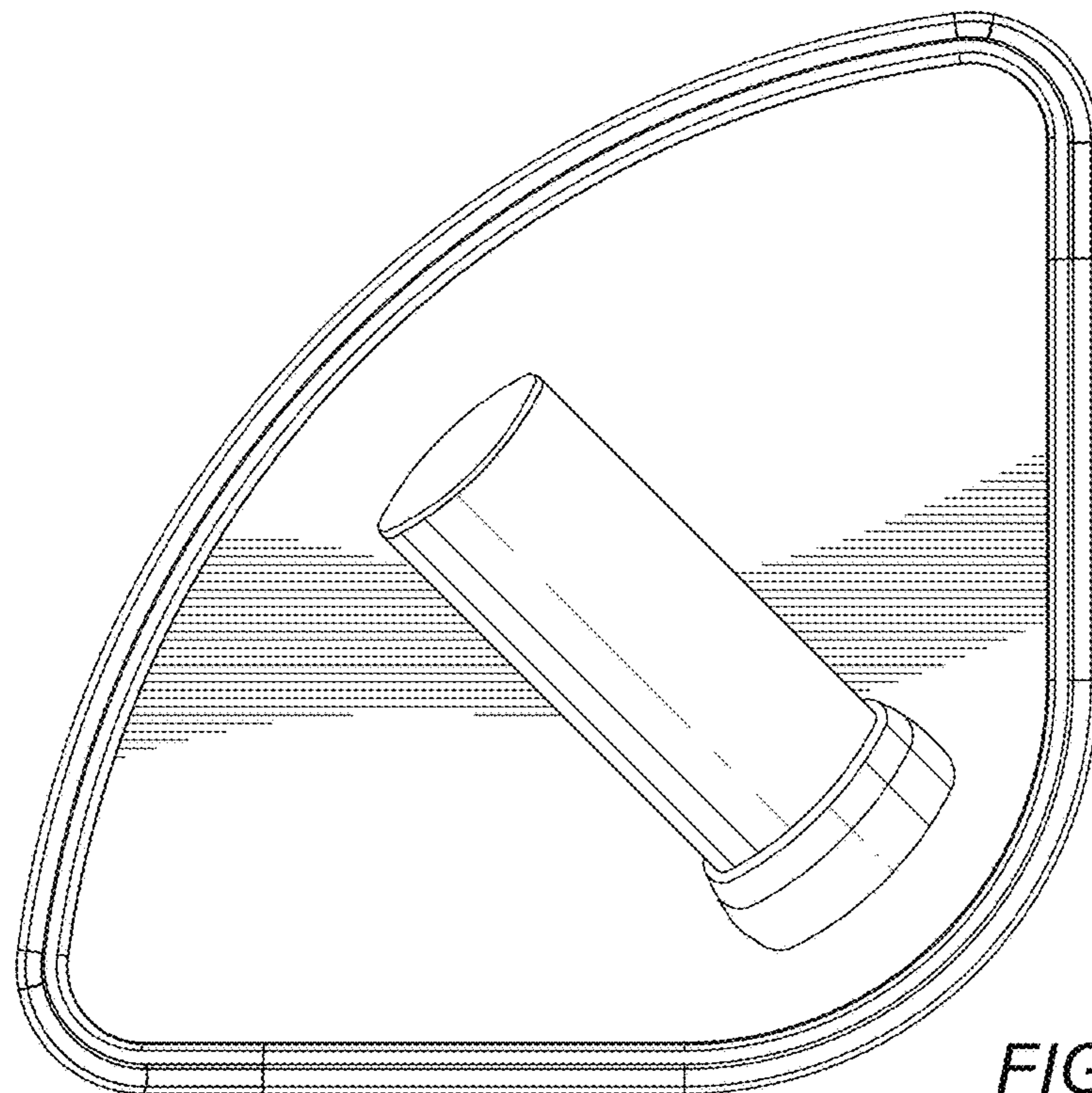


FIG. 8