



US00D833786S

(12) **United States Design Patent** (10) **Patent No.:** **US D833,786 S**
Everson et al. (45) **Date of Patent:** **** Nov. 20, 2018**

(54) **COCKTAIL TABLE**
(71) Applicant: **Ashley Furniture Industries, Inc.**,
Arcadia, WI (US)
(72) Inventors: **Terry Everson**, Blair, WI (US); **Randy Domack**, Holmen, WI (US)
(73) Assignee: **ASHLEY FURNITURE INDUSTRIES, INC.**, Arcadia, WI (US)
(**) Term: **15 Years**
(21) Appl. No.: **29/600,174**
(22) Filed: **Apr. 10, 2017**
(51) **LOC (11) Cl.** **06-03**
(52) **U.S. Cl.**
USPC **D6/691.6**
(58) **Field of Classification Search**
USPC D6/641, 657, 675.2, 675.3, 675.4, 675.5, D6/685, 686, 689, 690, 691, 691.1, 691.2, D6/691.3, 691.4, 691.5, 691.6, 691.7, D6/691.8, 691.9, 699, 699.1, 699.2, D6/699.3, 699.4, 699.5, 702, 705, 705.6, D6/707, 707.15, 707.19, 708, 709
CPC .. A47B 37/00; A47B 3/00; A47B 1/00; A47B 3/06; A47B 3/08; A47B 3/0912; A47B 7/00; A47B 21/00; A47B 23/00; A47B 25/00; A47B 13/08; A47B 3/083; A47B 3/14; A47B 41/00; A47B 17/00; A47B 3/0809; A47B 3/0812; A47B 2013/026; A47B 2200/03; A47B 2200/00; A47B 2003/0821; A47C 3/045
See application file for complete search history.

D278,959 S * 5/1985 Berry, Jr. D6/691
D345,475 S * 3/1994 Ferguson D6/691.7
D499,584 S * 12/2004 Domack D6/691.1
D511,057 S * 11/2005 Mohundro D6/691.8
D535,837 S * 1/2007 Lowsky D6/689
D552,887 S * 10/2007 Everson D6/691.1
D552,890 S * 10/2007 Domack D6/691.1
D615,322 S * 5/2010 Doughty D6/691.1
D670,104 S * 11/2012 Ren D6/691

OTHER PUBLICATIONS

Antigo Coffee Table, posted at Amazon.com, posted on Nov. 29, 2016, site visited Mar. 7, 2018. online, available from internet: <https://www.amazon.com/Ashley-Furniture-Signature-Design-Contemporary/dp/B007B6ZBH8>.*

* cited by examiner

Primary Examiner — Mary Ann Calabrese
Assistant Examiner — Catherine Ho
(74) *Attorney, Agent, or Firm* — McAndrews, Held & Malloy, Ltd.

(57) **CLAIM**

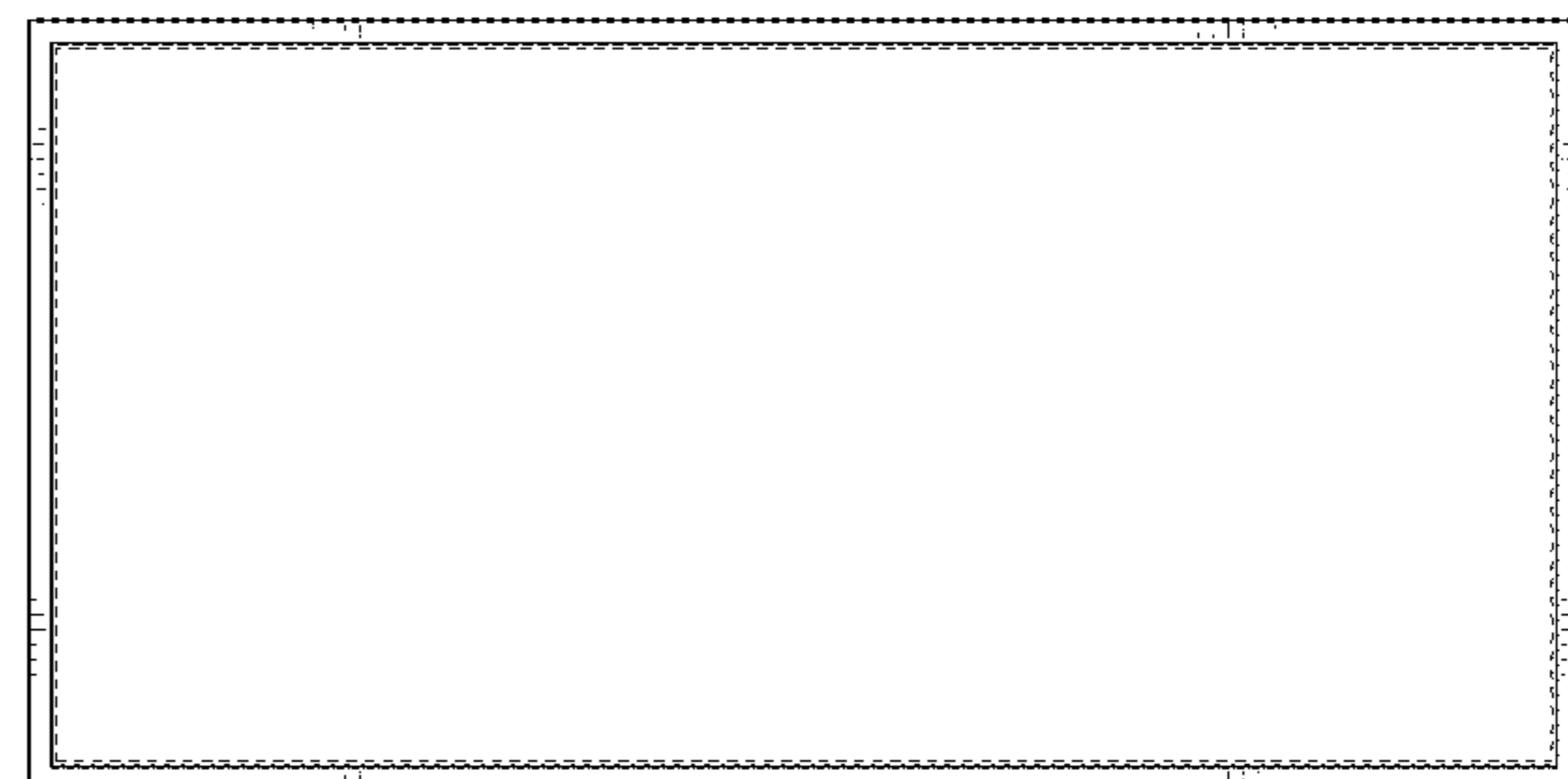
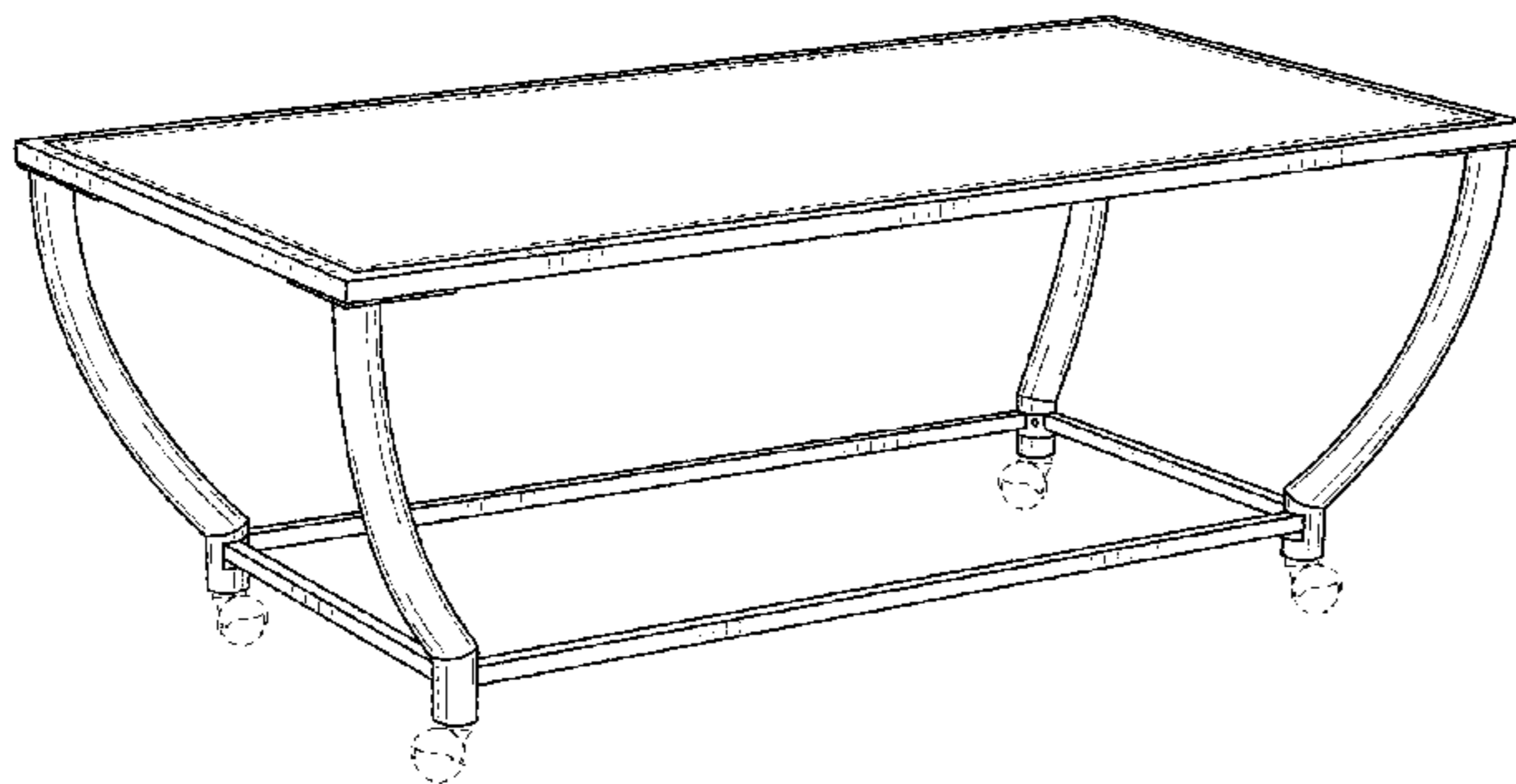
The ornamental design for a cocktail table, as shown and described.

DESCRIPTION

FIG. 1 is a front perspective view of a cocktail table, showing our new design;
FIG. 2 is a front elevation view thereof, the rear elevation view being a mirror image thereof;
FIG. 3 is a right side elevation view thereof, the left side elevation view being a mirror image thereof; and,
FIG. 4 is a top plan view thereof.
The dashed broken lines in the figures illustrate portions of the cocktail table that form no part of the claimed design.

1 Claim, 3 Drawing Sheets

(56) **References Cited**
U.S. PATENT DOCUMENTS
D111,581 S * 10/1938 Frey D6/691.6
D193,790 S * 10/1962 Ohlsson D6/691.9



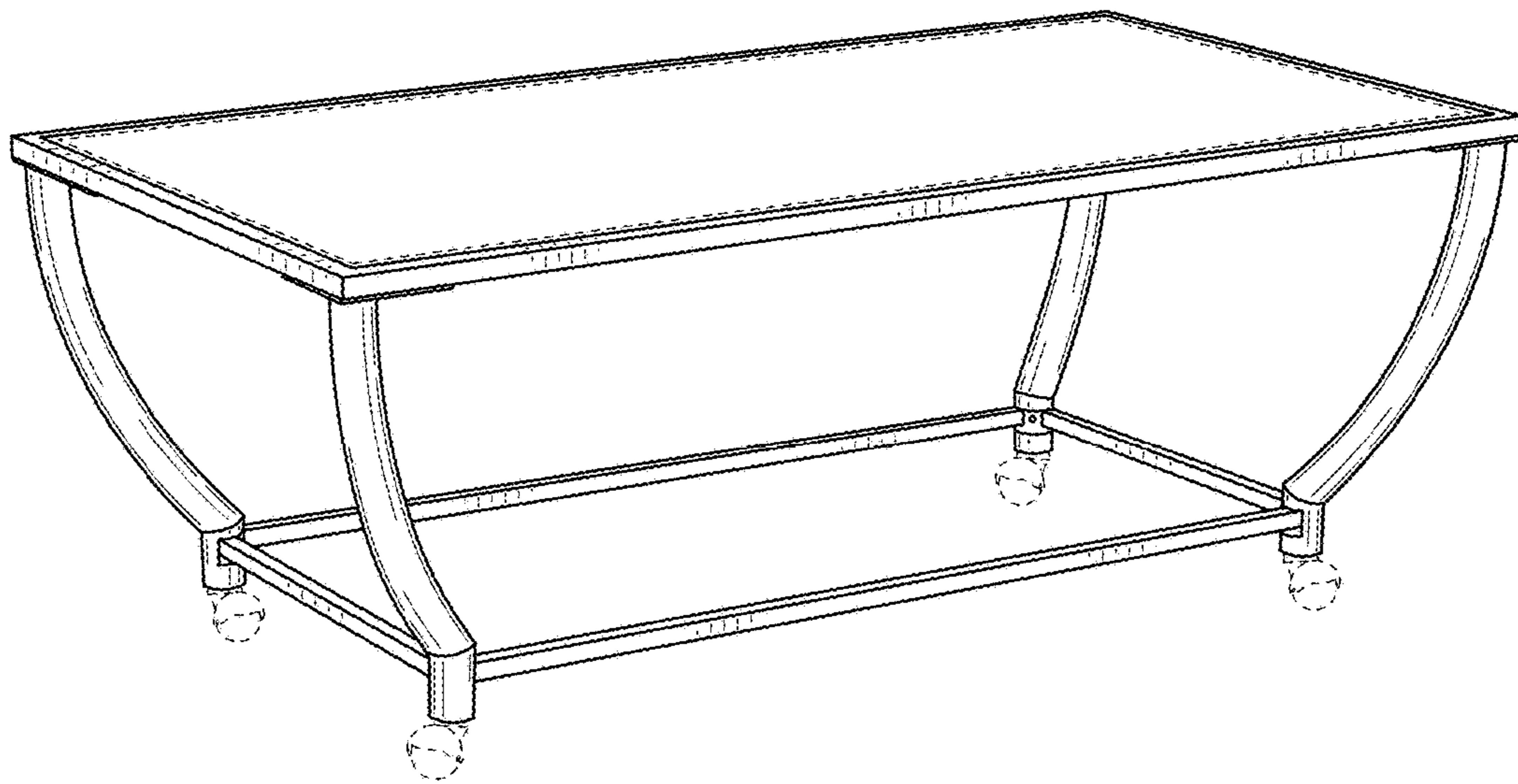


FIG. 1

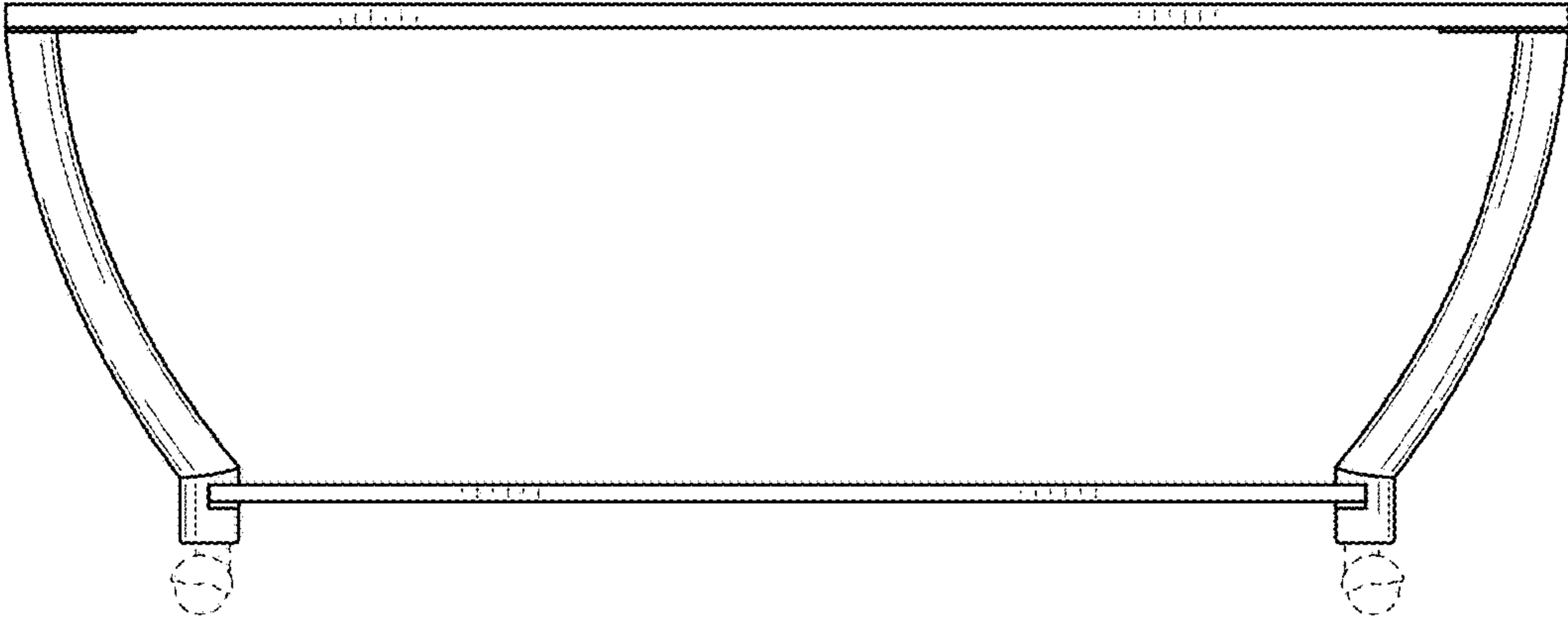


FIG. 2

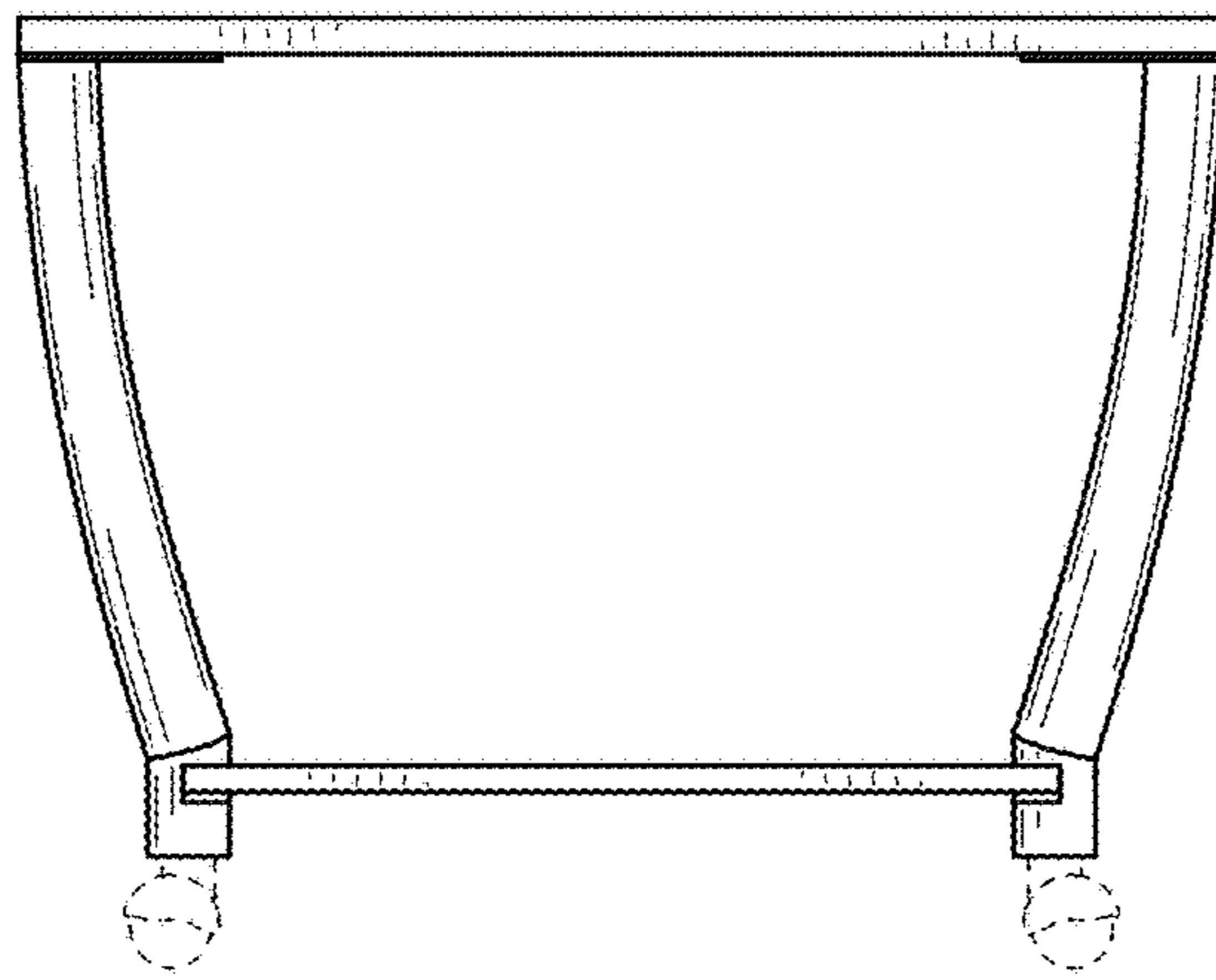


FIG. 3

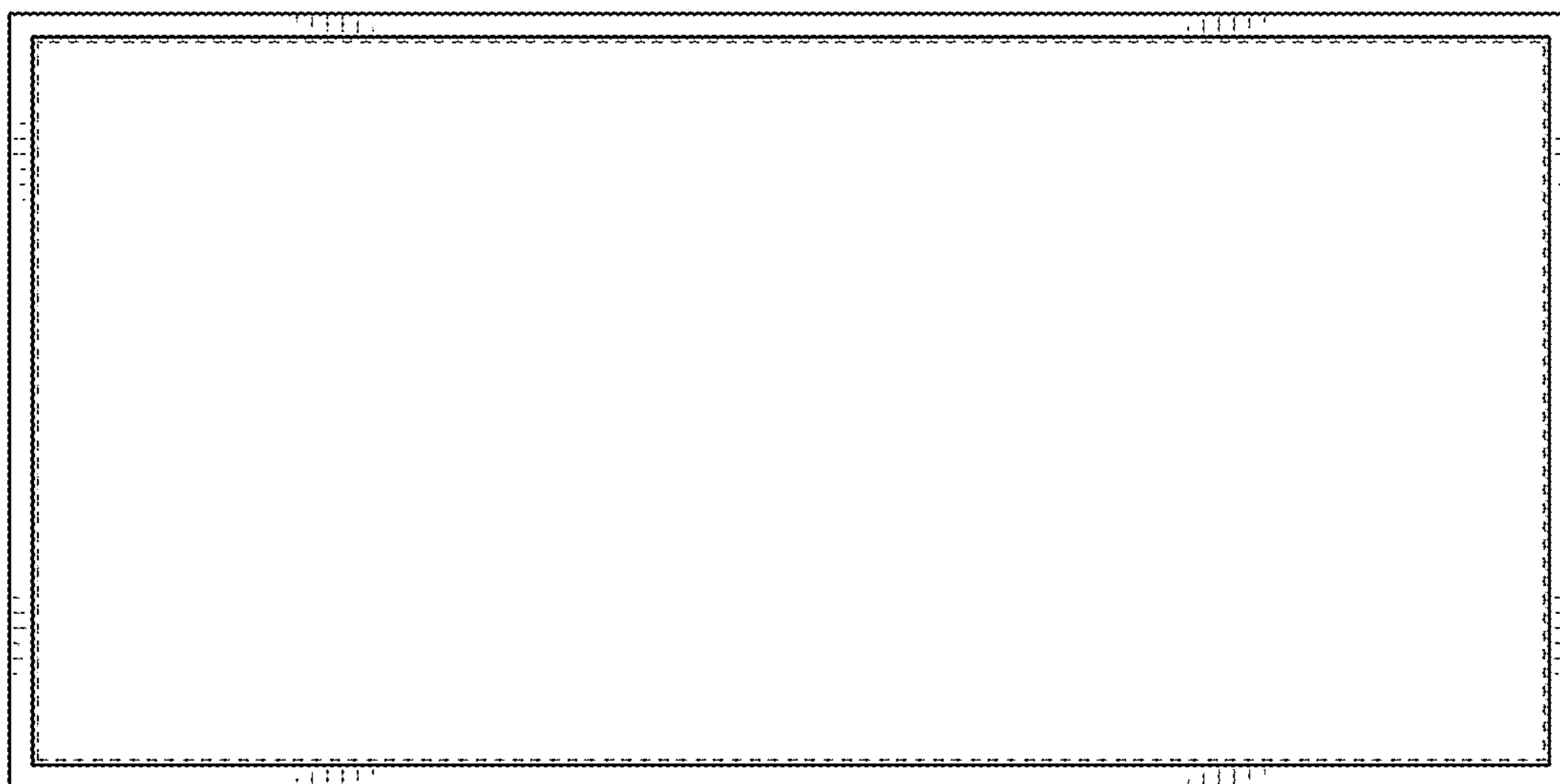


FIG. 4