



US00D833784S

(12) **United States Design Patent Grant** (10) **Patent No.:** **US D833,784 S**
(45) **Date of Patent:** **** Nov. 20, 2018**

(54) **TISSUE BOX HOLDER**
(71) Applicant: **Grant Brothers Sales Ltd.,**
Mississauga (CA)
(72) Inventor: **John Grant, Mississauga (CA)**
(73) Assignee: **Grant Brothers Sales Ltd., Mississauga**
(CA)
(**) Term: **15 Years**
(21) Appl. No.: **29/611,271**
(22) Filed: **Jul. 20, 2017**
(51) **LOC (11) Cl.** **06-01**
(52) **U.S. Cl.**
USPC **D6/683**
(58) **Field of Classification Search**
USPC D3/304, 307-311, 315, 318-319,
D3/321-322; D6/672, 675, 682, 682.1,
D6/683
CPC . A45C 2011/007; A45C 11/008; B65D 77/00;
B65D 83/08
See application file for complete search history.

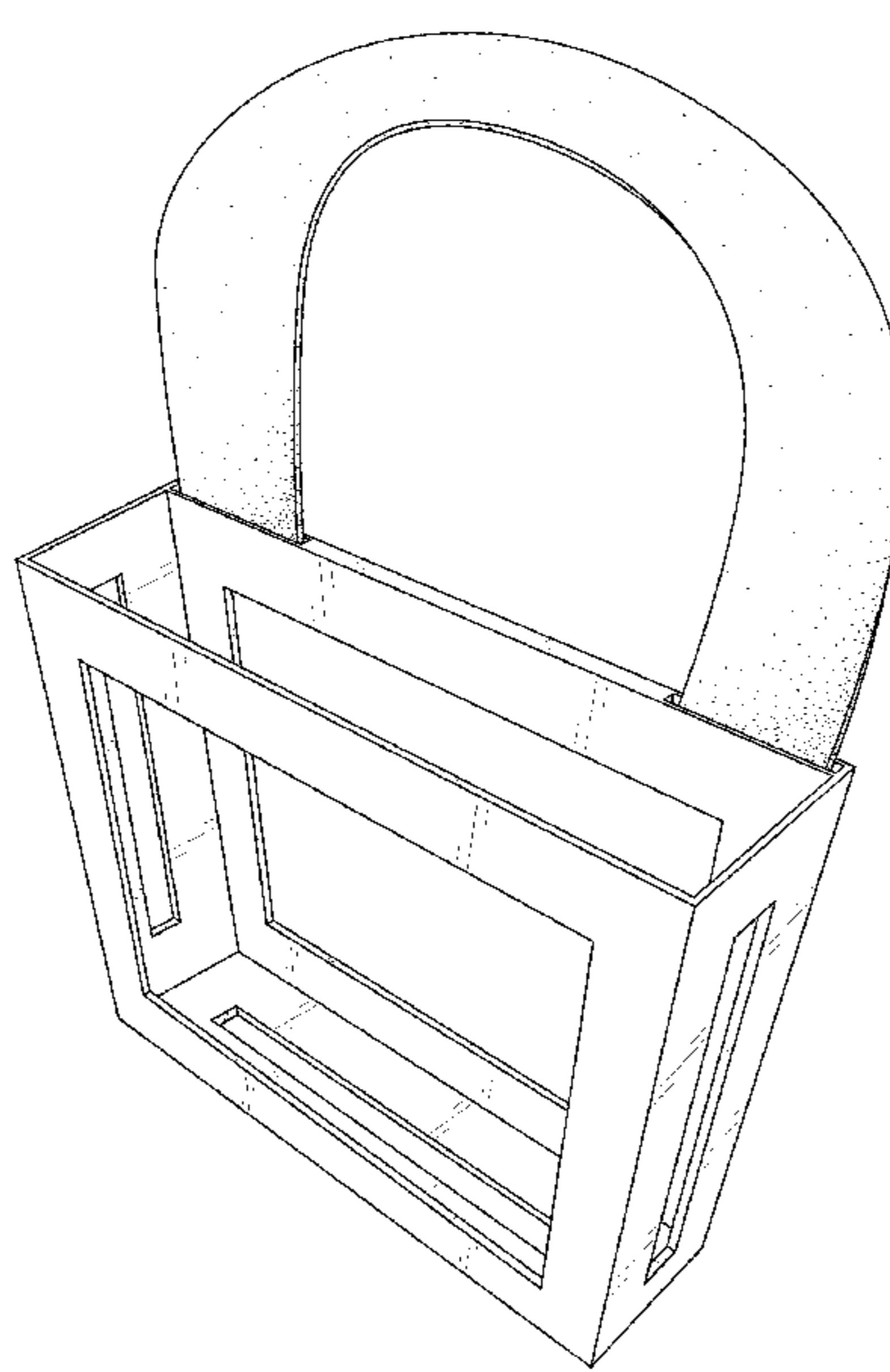
(56) **References Cited**
U.S. PATENT DOCUMENTS
D79,214 S * 8/1929 Sebastian 211/50
D250,240 S * 11/1978 Braginetz D6/515
D272,025 S * 1/1984 Goutchat D19/78
D321,614 S * 11/1991 Liptak D6/683
D392,295 S * 3/1998 Johnson D15/81
D602,530 S * 10/2009 Thompson D19/90
D632,901 S * 2/2011 Christoffel D6/683
D648,800 S * 11/2011 Dambricourt D19/90
D649,192 S * 11/2011 Beukema D19/75
D699,437 S * 2/2014 Del Solar D3/315
D737,595 S * 9/2015 Eilmus D6/513

D757,469 S * 5/2016 Jensen D6/683.1
D783,287 S * 4/2017 Swartzel D3/305
D805,816 S * 12/2017 Gale D6/683
(Continued)

Primary Examiner — Kelley Donnelly
(74) *Attorney, Agent, or Firm* — McMillan LLP
(57) **CLAIM**
The ornamental design for the tissue box holder, as shown and described.

DESCRIPTION
FIG. 1 is a perspective view of top front right of the tissue box holder.
FIG. 2 is another perspective view taken from the top front right of the design of FIG. 1 shown with a tissue box therein.
FIG. 3 is a perspective view taken from the top front left of the design of FIG. 1 shown with a tissue box therein.
FIG. 4 is a perspective view taken from the top front of the design of FIG. 1.
FIG. 5 is a perspective view taken from the top front of the design of FIG. 1 shown with a tissue box therein.
FIG. 6 is a perspective view taken from the top rear of the design of FIG. 1.
FIG. 7 is a perspective view taken from the top rear of the design of FIG. 1 shown with a tissue box therein.
FIG. 8 is a perspective view taken from the top of the design of FIG. 1.
FIG. 9 is a perspective view taken from the bottom of the design of FIG. 1.
FIG. 10 is a front elevation view of the design of FIG. 1.
FIG. 11 is a rear elevation view of the design of FIG. 1.
FIG. 12 is a left elevation view of the design of FIG. 1.
FIG. 13 is a right elevational view of the design of FIG. 1.
FIG. 14 is a top plan view of the design of FIG. 1; and, FIG. 15 is a bottom plan view of the design of FIG. 1.
The broken lines depict environmental subject matter only and form no part of the claimed design.

1 Claim, 13 Drawing Sheets



(56)

References Cited

U.S. PATENT DOCUMENTS

2007/0017828 A1* 1/2007 Cuomo B65D 71/0014
206/162
2008/0230416 A1* 9/2008 Brouard B25H 3/02
206/372

* cited by examiner

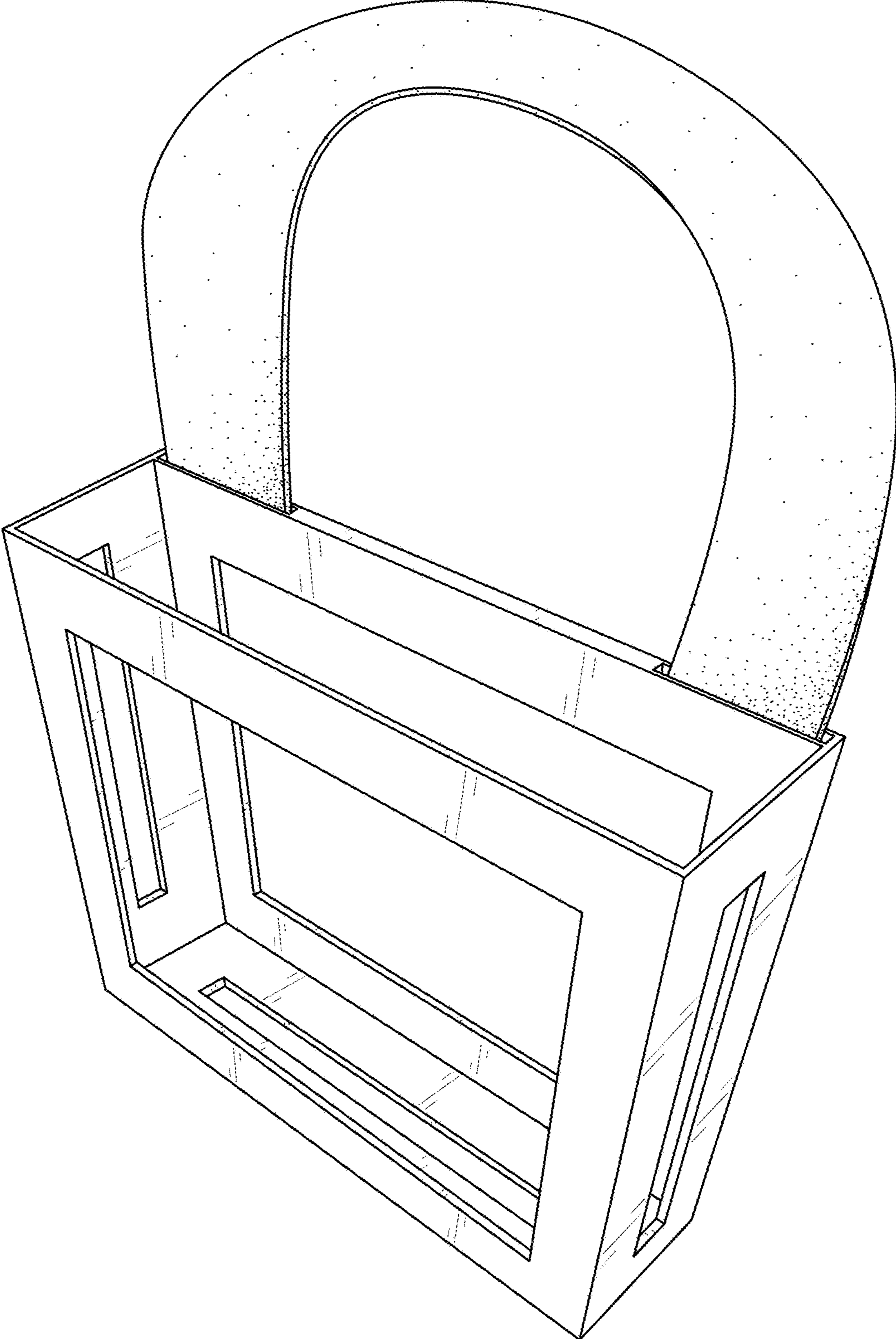


FIG. 1

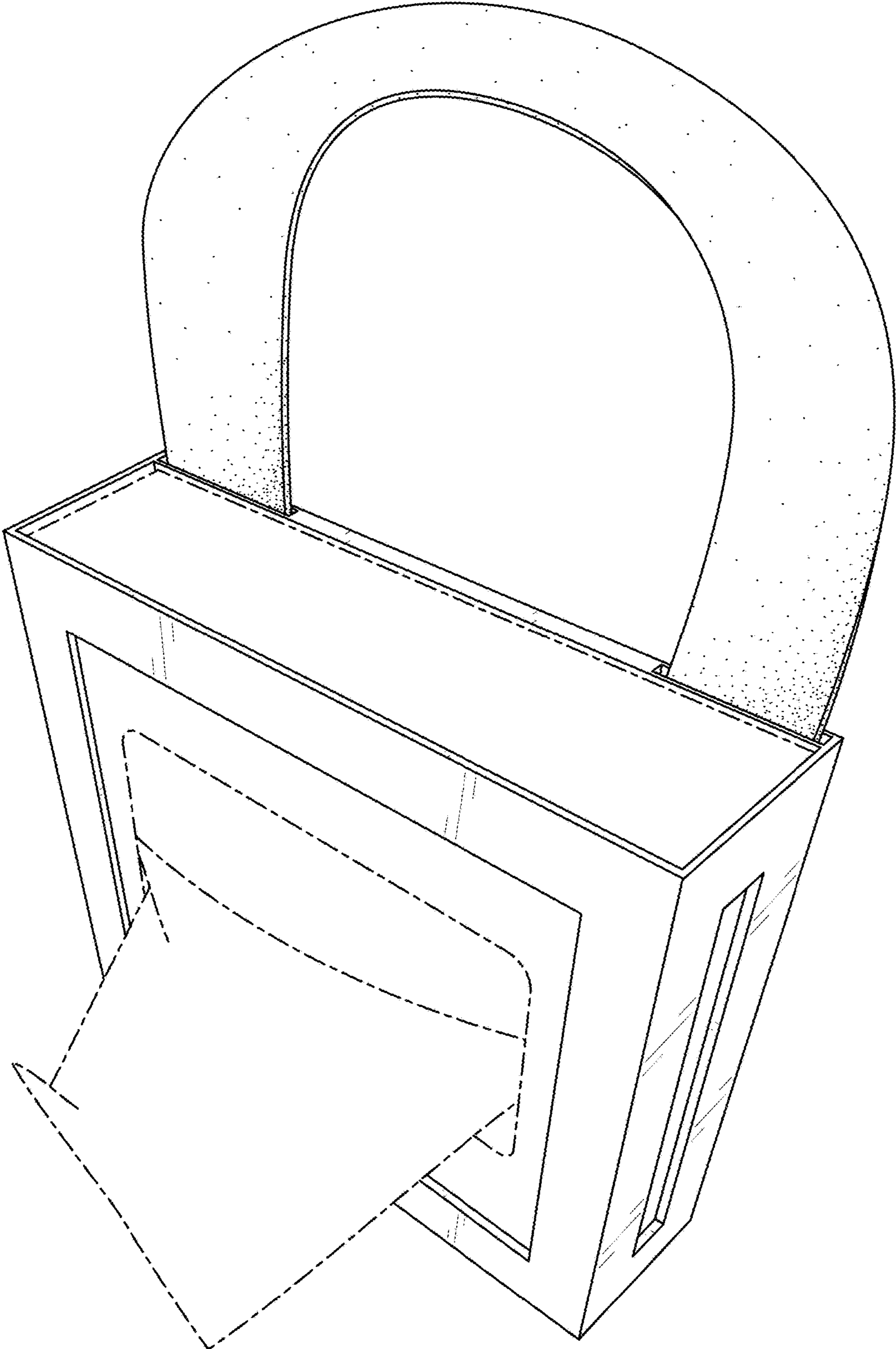


FIG. 2

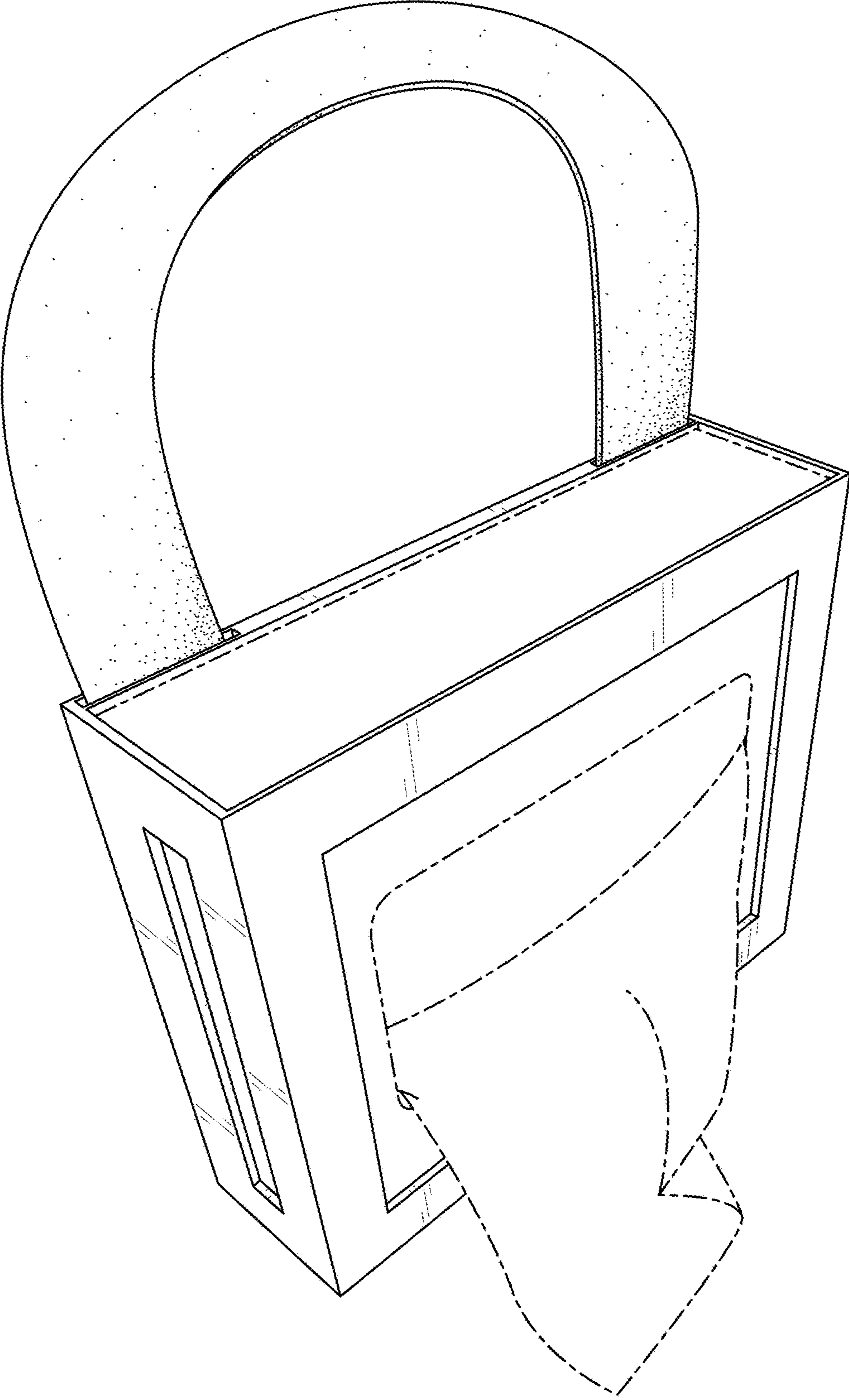


FIG. 3

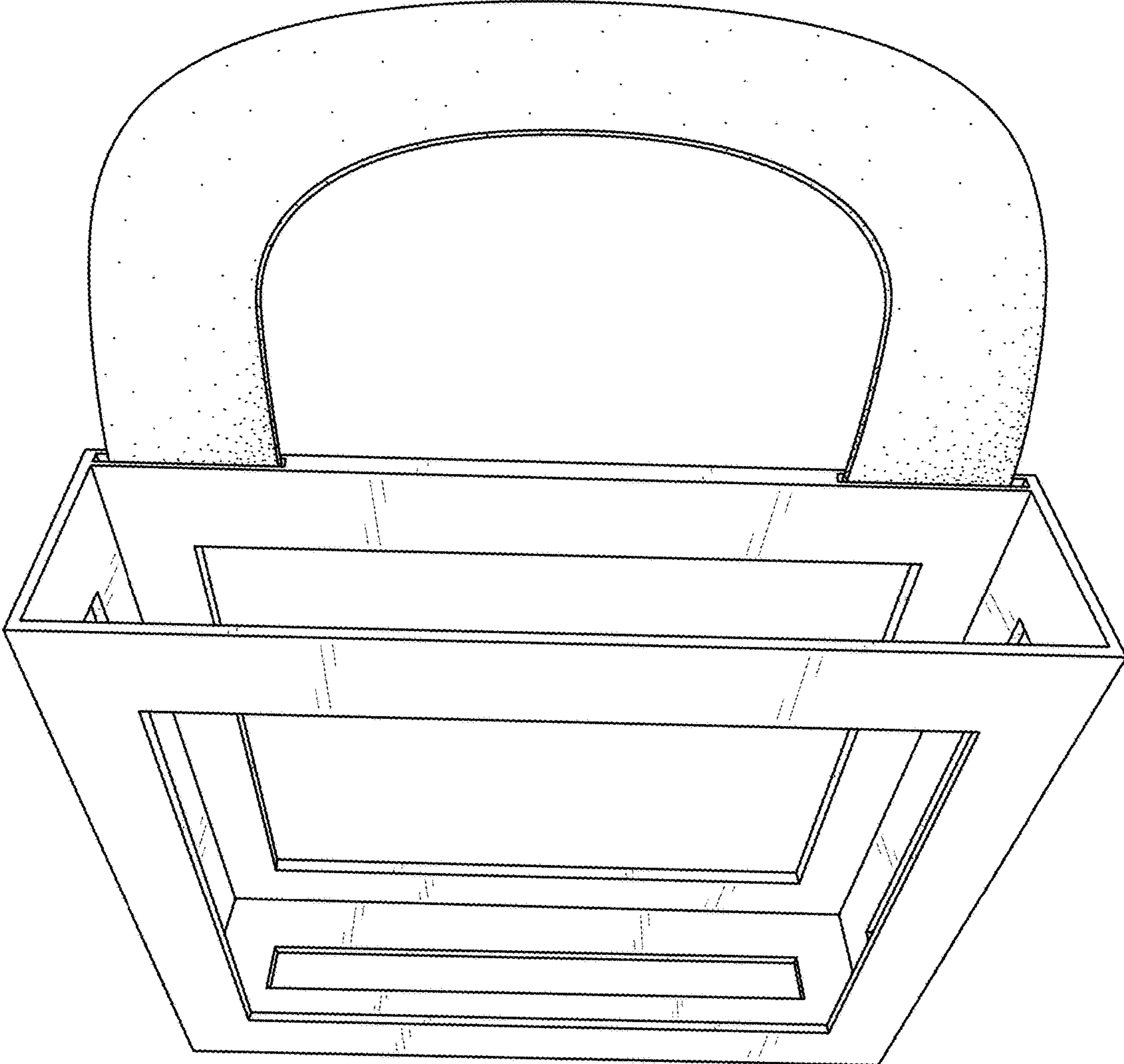


FIG. 4

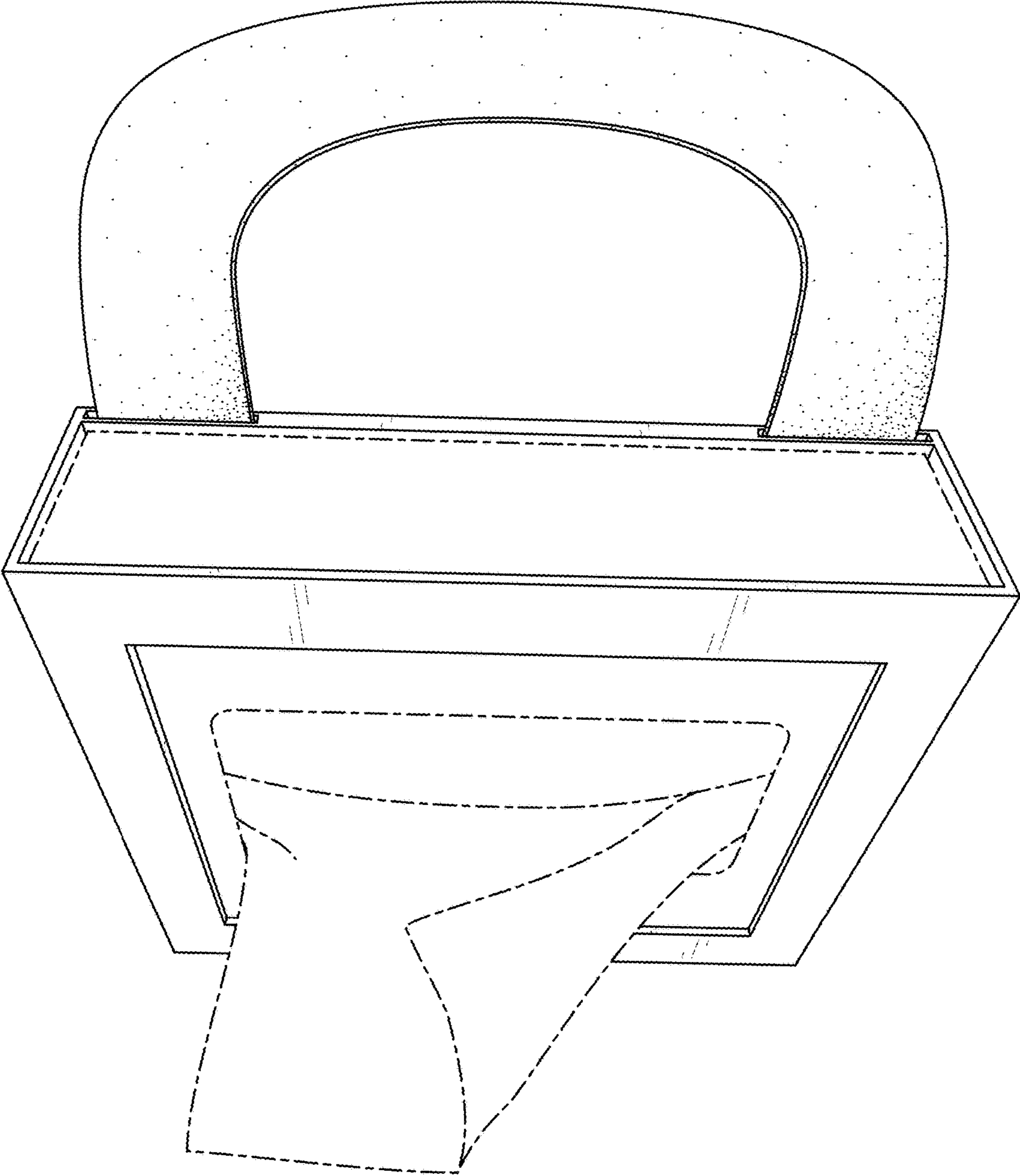


FIG. 5

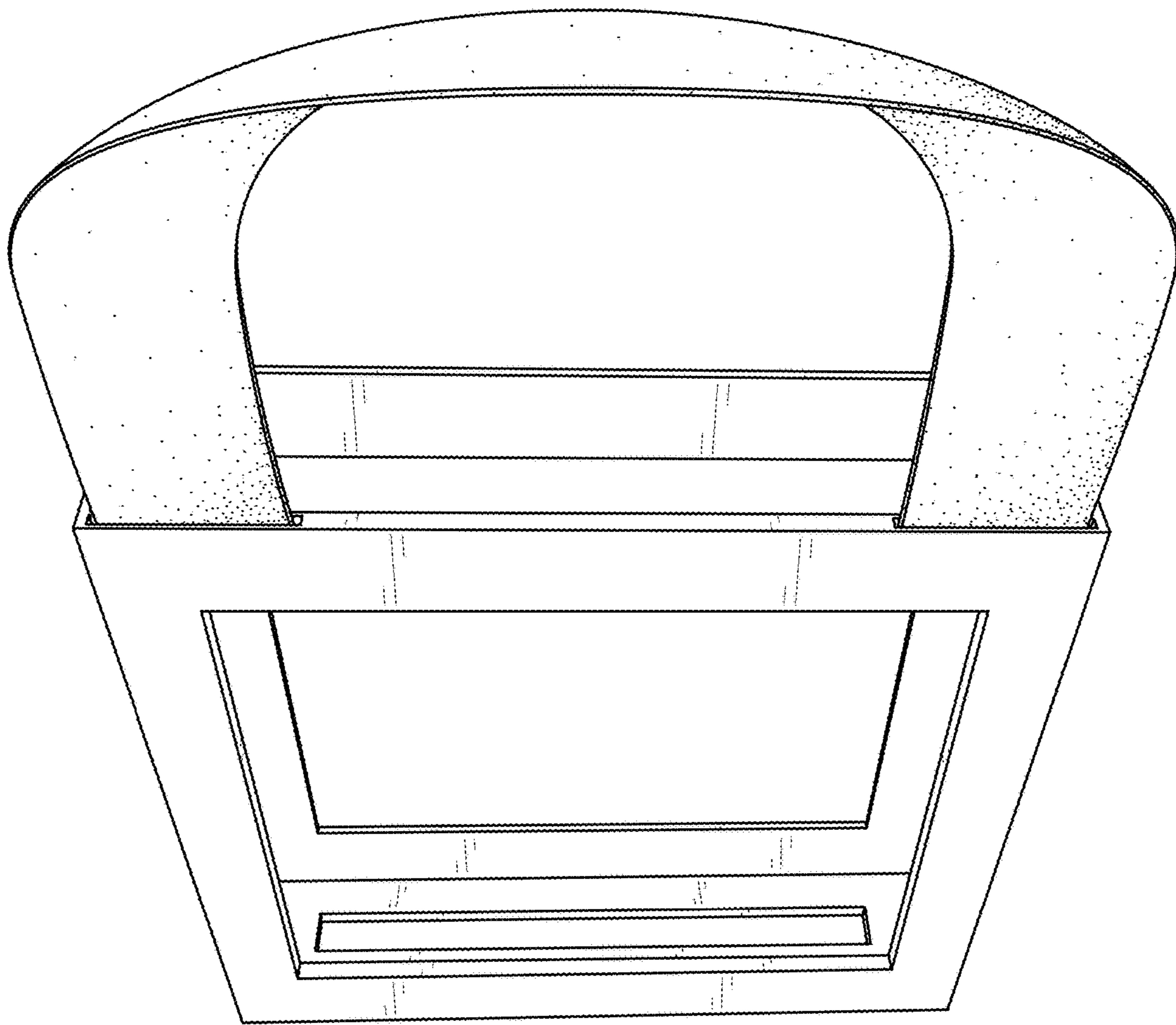


FIG. 6

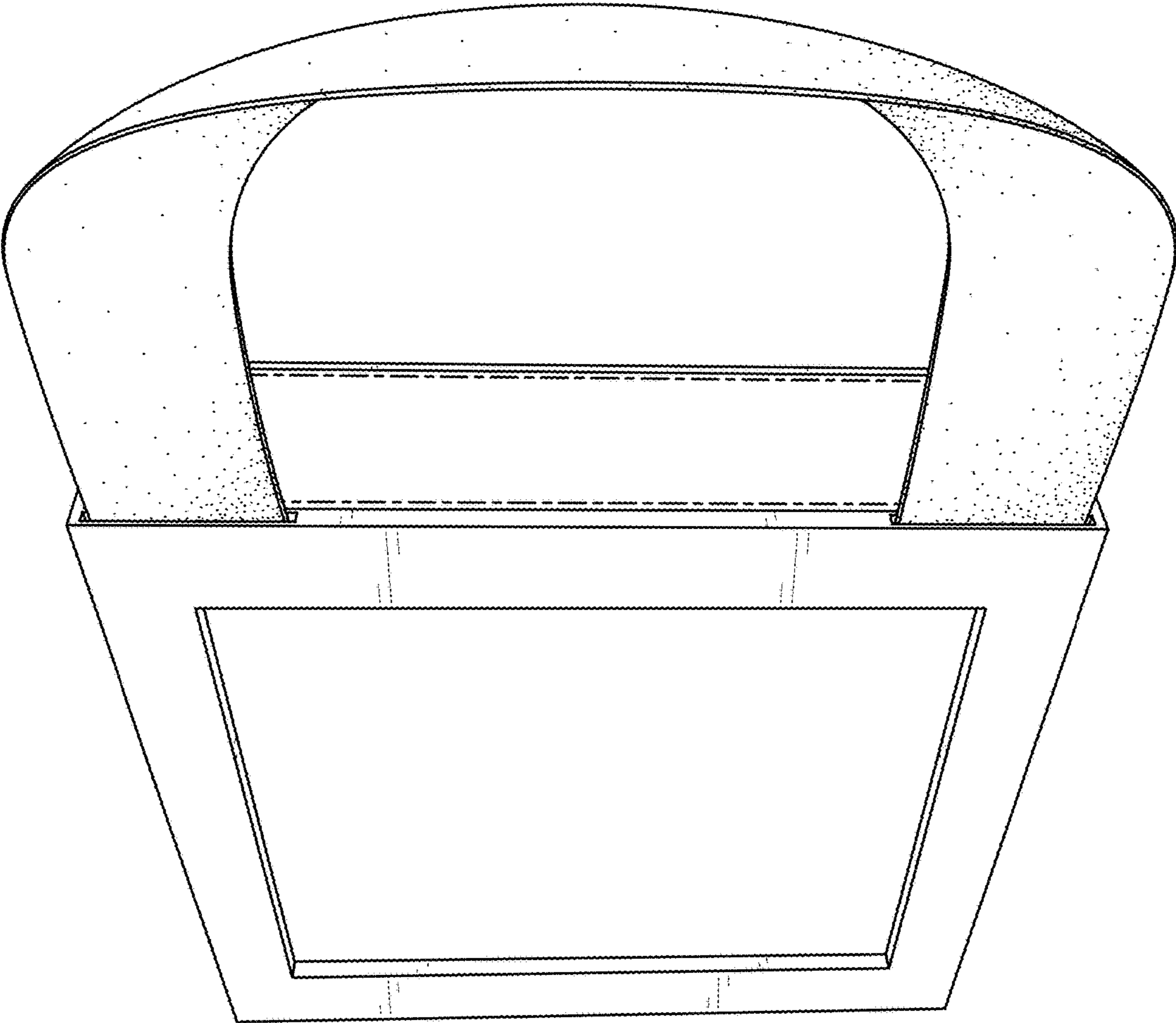


FIG. 7

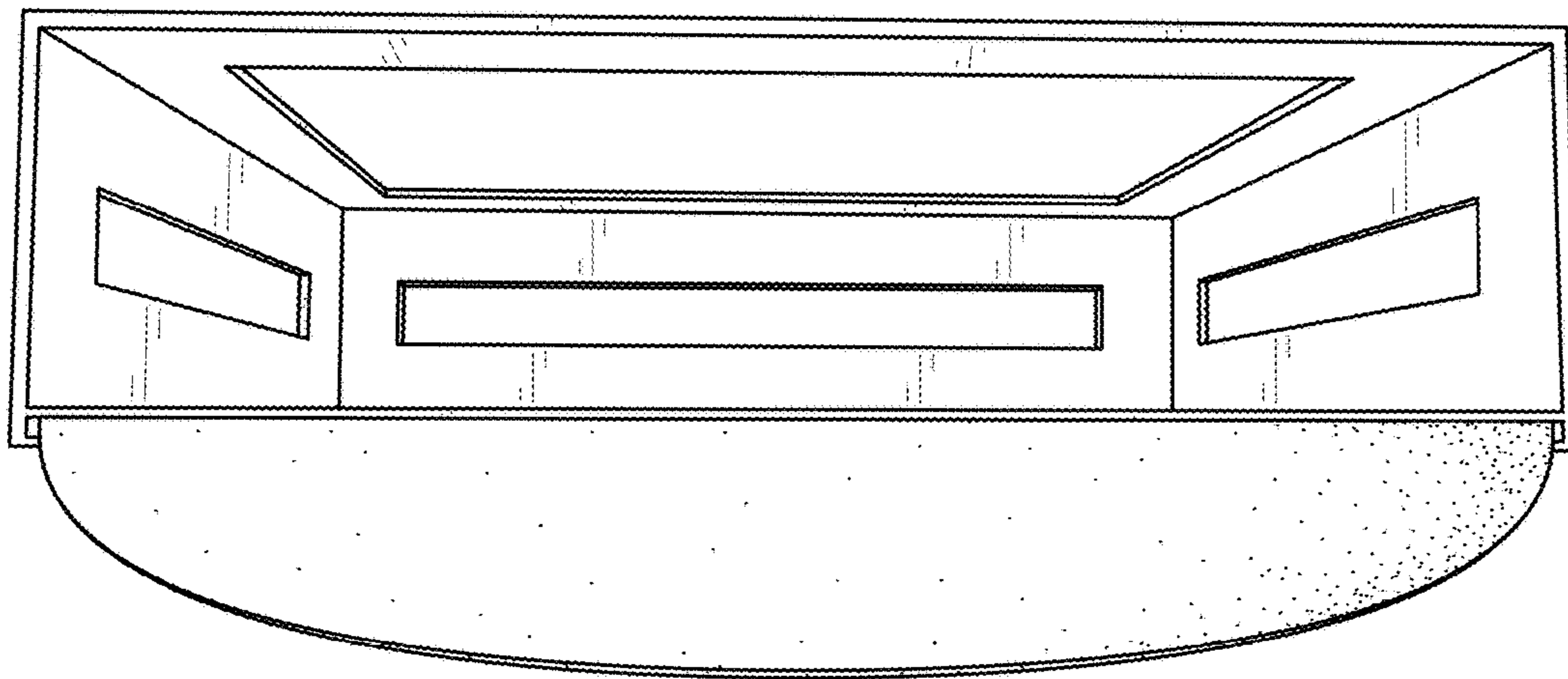


FIG. 8

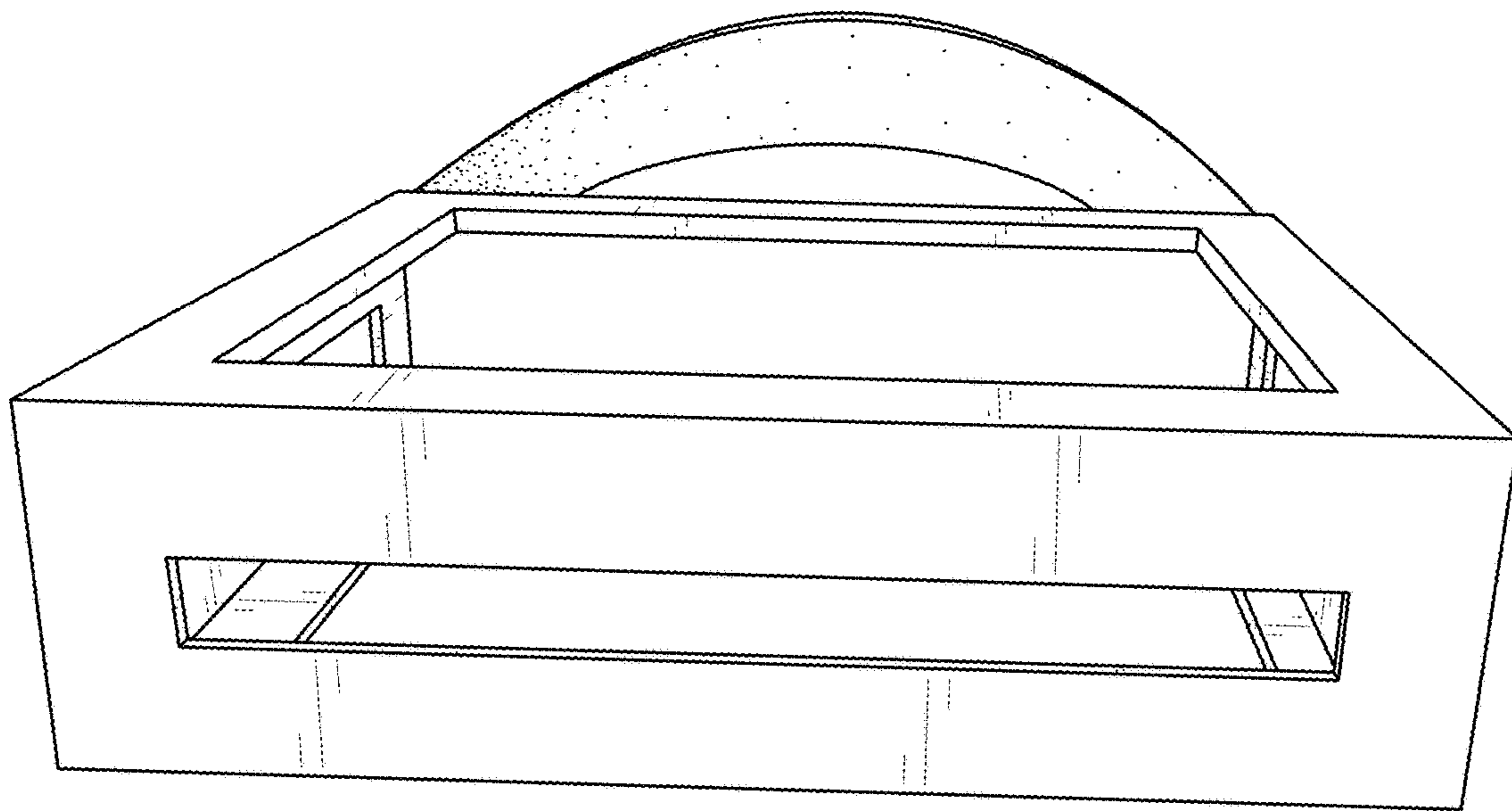


FIG. 9

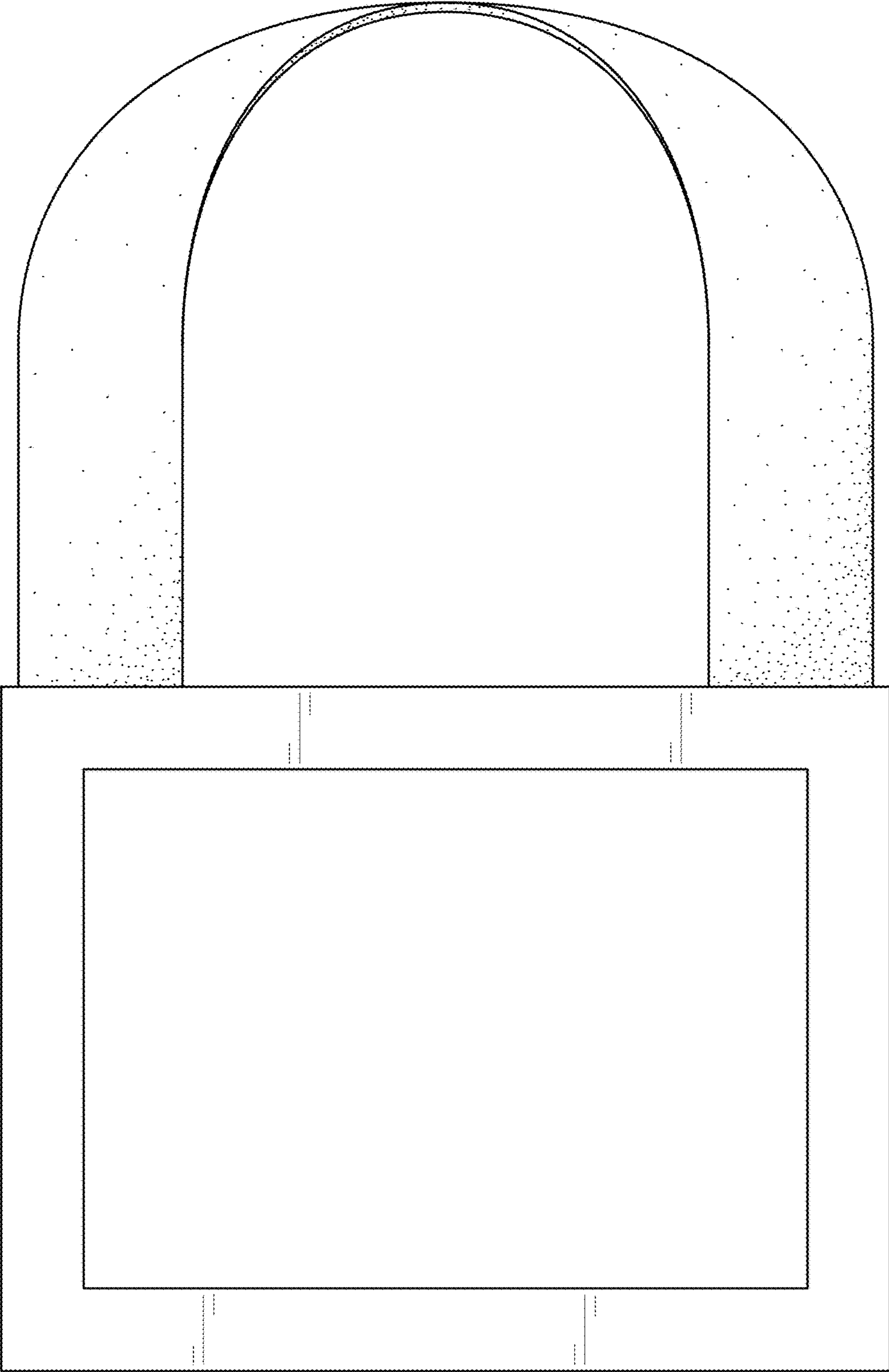


FIG. 10

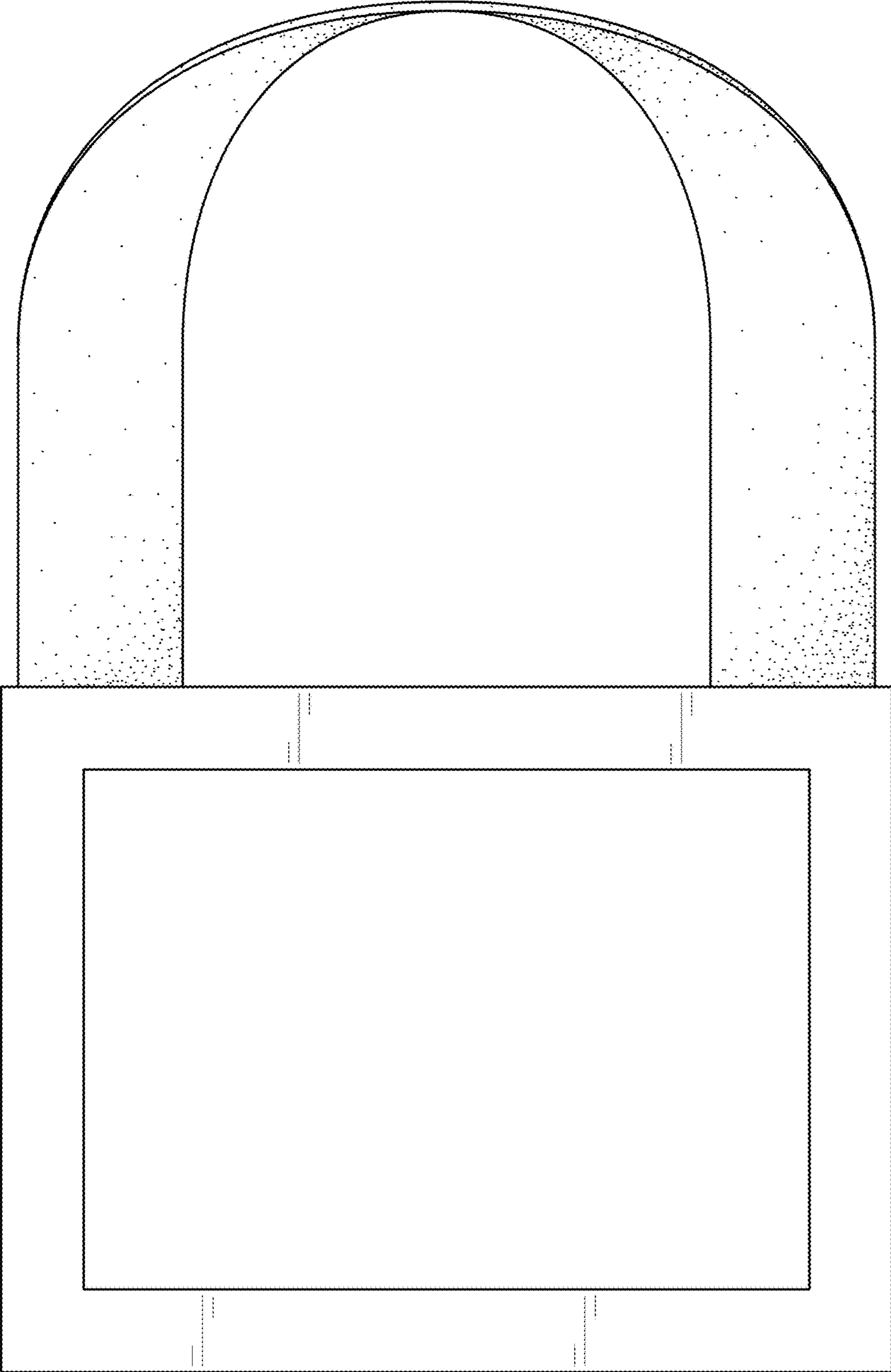


FIG. 11

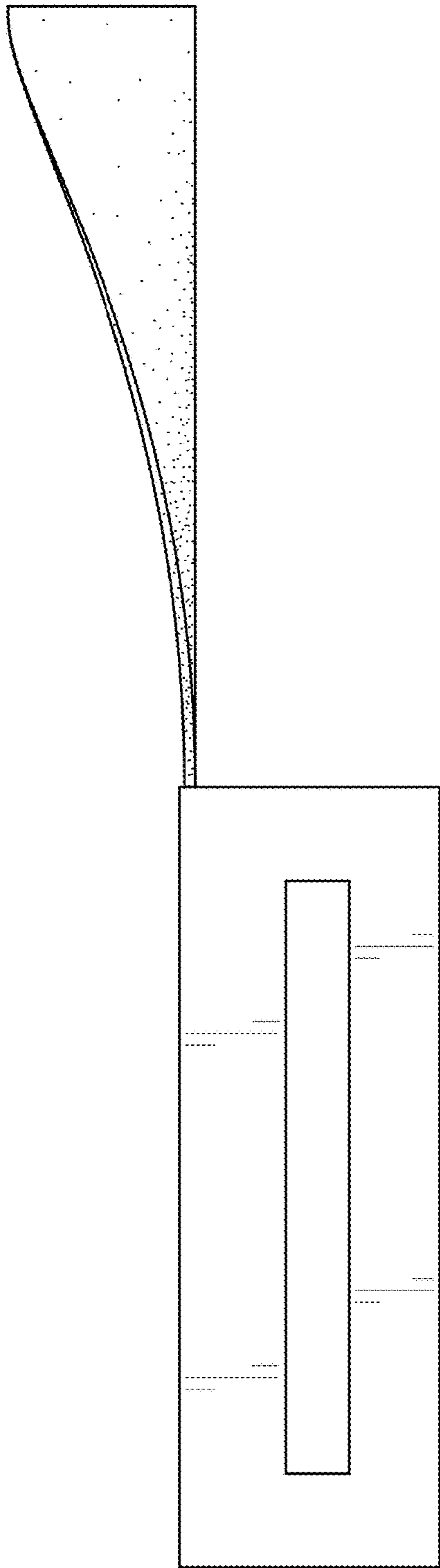


FIG. 12

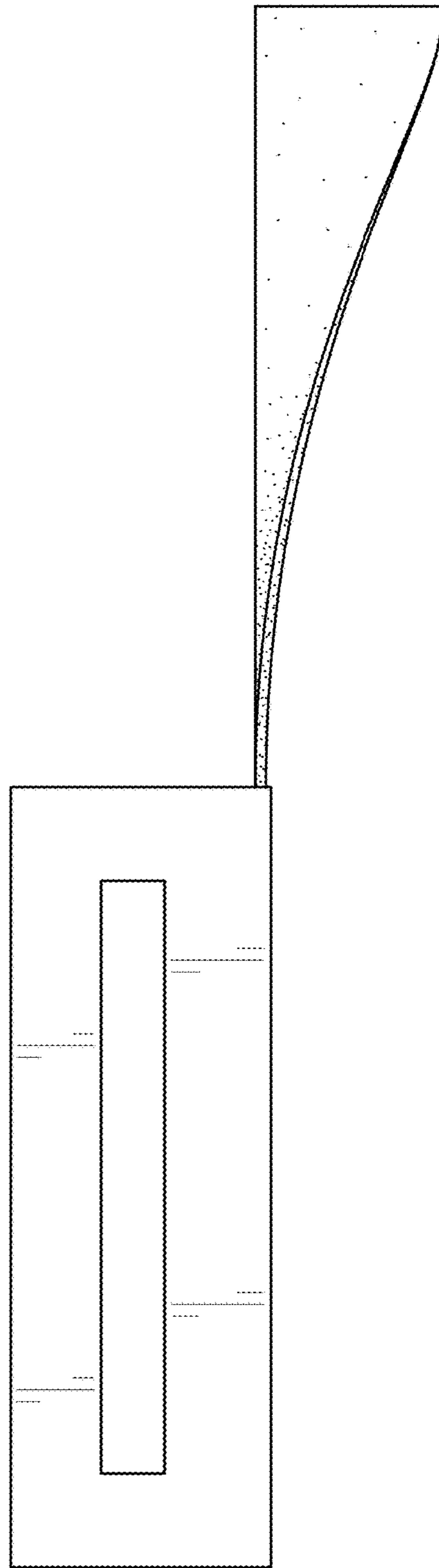


FIG. 13

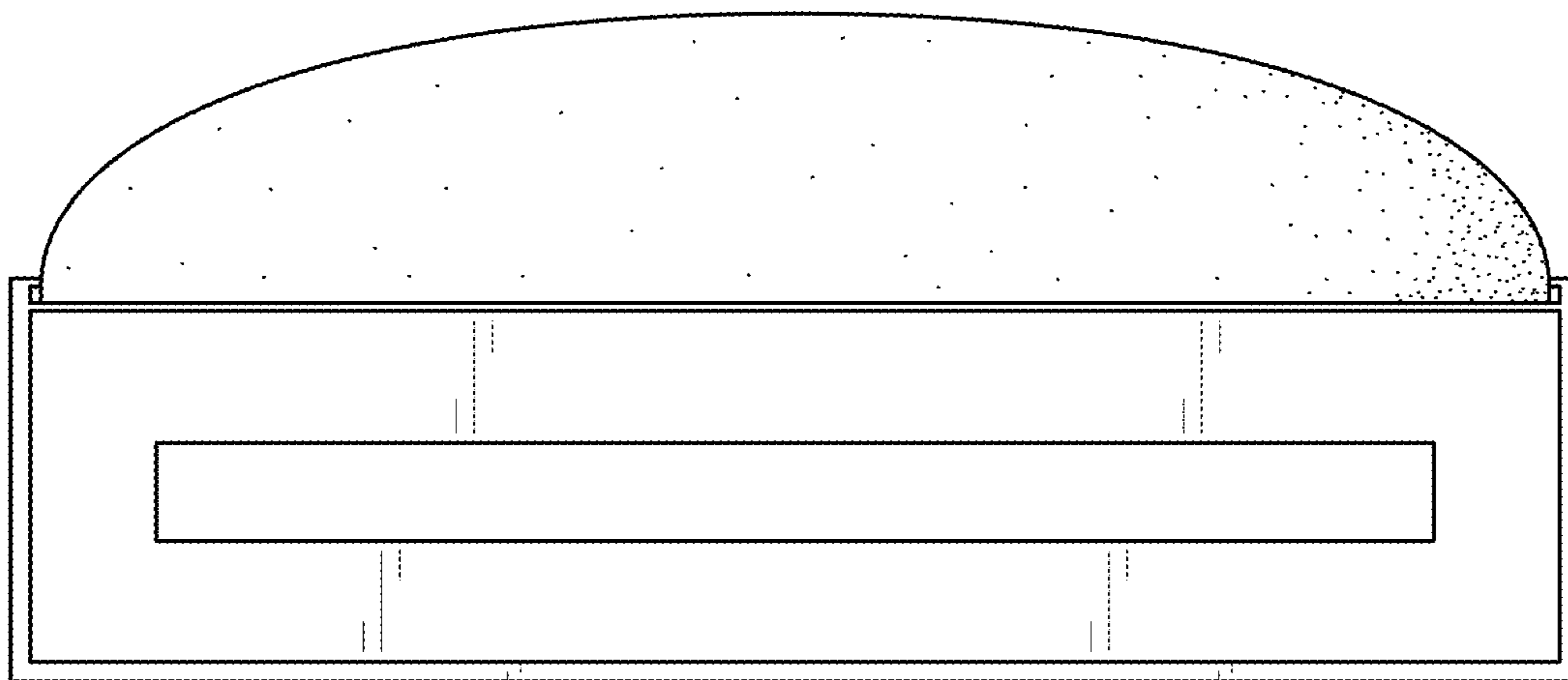


FIG. 14

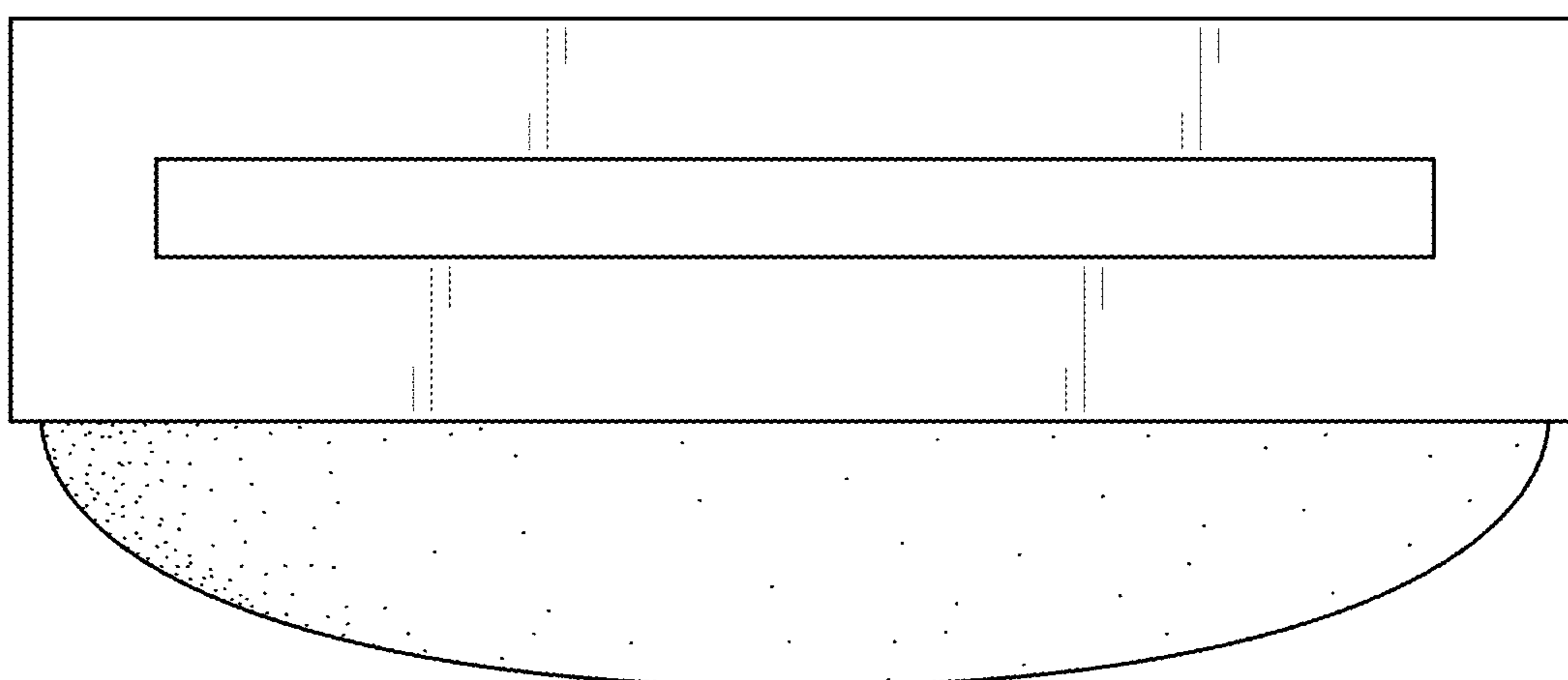


FIG. 15