



US00D833782S

(12) **United States Design Patent** (10) **Patent No.:** **US D833,782 S**  
**Amacher, Jr.** (45) **Date of Patent:** **\*\* Nov. 20, 2018**

(54) **OIL BUCKET STORAGE AND DISPENSING RACK**

(71) Applicant: **Englefield, Inc.**, Heath, OH (US)

(72) Inventor: **Gale L. Amacher, Jr.**, Granville, OH (US)

(73) Assignee: **ENGLEFIELD, INC.**, Heath, OH (US)

(\*\*) Term: **15 Years**

(21) Appl. No.: **29/592,352**

(22) Filed: **Jan. 30, 2017**

(51) **LOC (11) Cl.** ..... **06-06**

(52) **U.S. Cl.**  
USPC ..... **D6/675.4**

(58) **Field of Classification Search**  
USPC ..... D6/303, 305, 311, 672, 675, 675.1,  
D6/675.3, 683, 683.1, 675.4  
CPC .... A47F 5/0025; A47F 5/0043; A47F 5/0081;  
B25H 3/00

See application file for complete search history.

(56) **References Cited**

**U.S. PATENT DOCUMENTS**

1,840,297	A *	1/1932	Alexander	.....	A47F 7/144 221/56
1,857,391	A	5/1932	Nicholls		
1,998,263	A	4/1935	Townsend		
2,130,371	A	9/1938	Townsend		
D116,797	S *	9/1939	Erickson	.....	D6/675.1
2,326,710	A	8/1943	Waycott, Sr.		
2,654,508	A	10/1953	Wright		
3,297,377	A	1/1967	Smith		
D269,754	S *	7/1983	Kates	.....	D6/675.1
5,316,154	A	5/1994	Hajec, Jr.		
D389,657	S *	1/1998	Sigal	.....	D6/675.4
D395,769	S *	7/1998	Reeves	.....	D6/675.4
D455,916	S *	4/2002	Fluhrer	.....	D6/675.1

D492,862	S *	7/2004	Gay, II	.....	D6/675.1
D560,402	S *	1/2008	Lev	.....	D6/675.1
D580,193	S *	11/2008	Sparkowski	.....	D6/678.4
D608,115	S *	1/2010	Trinh	.....	D6/675.1
8,424,722	B2	4/2013	Koch et al.		
D692,701	S *	11/2013	Peggs	.....	D6/675.1
D716,080	S *	10/2014	Bell	.....	D6/675.1
D752,372	S *	3/2016	Huff	.....	D6/678.4
D808,203	S *	1/2018	Davis	.....	D6/675.3

**OTHER PUBLICATIONS**

K-BID, Vintage collectibles, Oil can or pail rack, accessed online Nov. 7, 2016, www.k-bid.com/auction, 1 page, USA.

(Continued)

*Primary Examiner* — Kelley Donnelly

(74) *Attorney, Agent, or Firm* — Standley Law Group LLP; Jeffrey Norris; Adam Smith

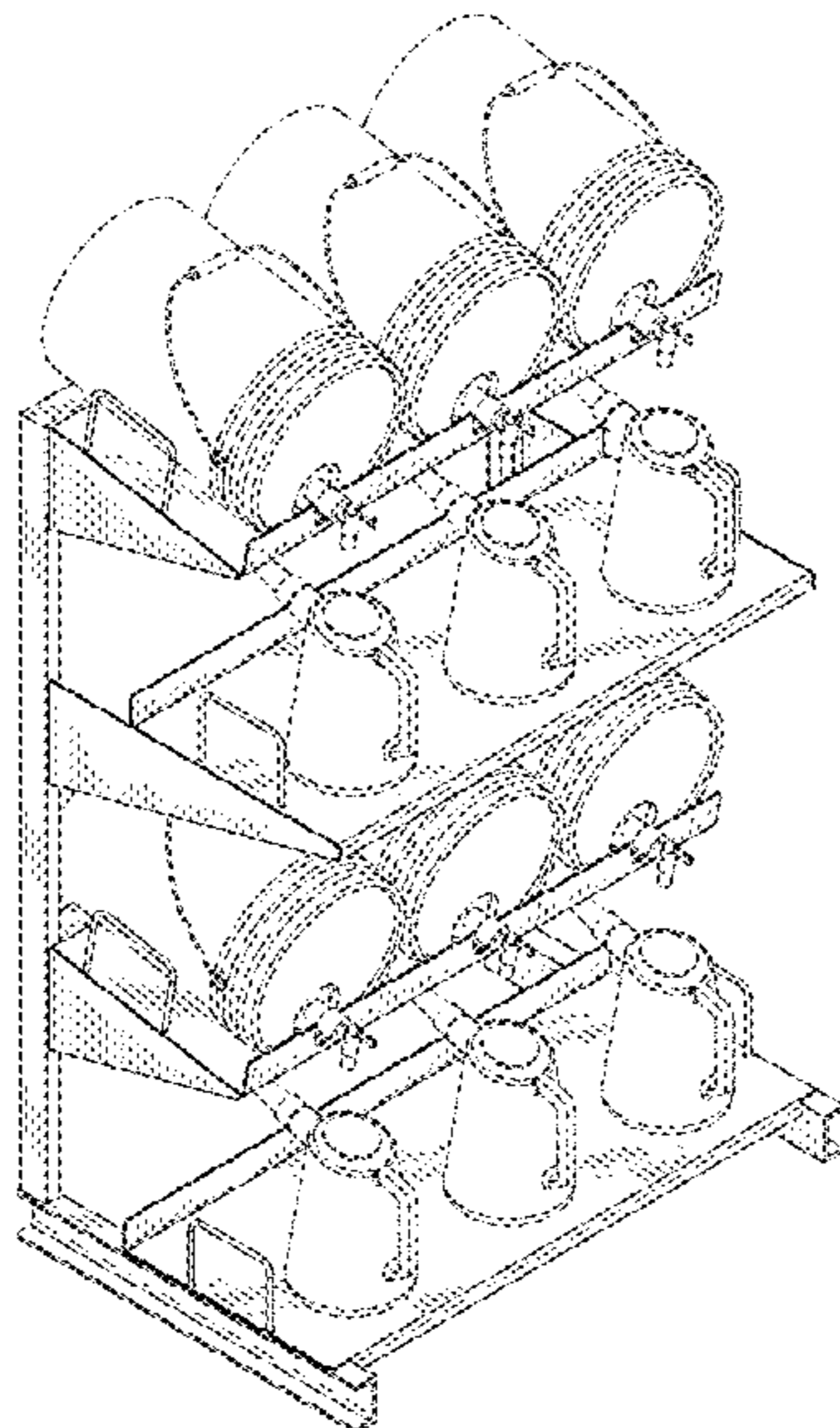
(57) **CLAIM**

The ornamental design for an oil bucket storage and dispensing rack, as shown.

**DESCRIPTION**

FIG. 1 is a front perspective view of a first embodiment of the oil bucket storage and dispensing rack; FIG. 2 is a front perspective view of the FIG. 1 device with certain unclaimed features removed for clarity; FIG. 3 is a front elevation view of the FIG. 1 device; FIG. 4 is a rear elevation view of the FIG. 1 device; FIG. 5 is a left side elevation view of the FIG. 1 device; FIG. 6 is a right side elevation view of the FIG. 1 device; and, FIG. 7 is a top plan view of the FIG. 1 device. The broken lines in FIG. 1 illustrate portions of the oil bucket and dispensing rack that are not claimed as part of the first embodiment of the oil bucket and dispensing rack.

**1 Claim, 6 Drawing Sheets**



(56)

**References Cited**

OTHER PUBLICATIONS

Monkey Bars, Bucket Rack, accessed online Nov. 8, 2016, [www.azgarageconcepts.com](http://www.azgarageconcepts.com), 1 page, USA.

Pinterest, Storage racks, Buckets and Storage on Pinterest, accessed online Nov. 8, 2016, [www.pinterest.com](http://www.pinterest.com), 1 page, USA.

Spill Source, Spill Source—Spill Containment Handling and Dispensing, accessed online Nov. 11, 2016, [spillsource.net](http://spillsource.net), 1 page, USA.

Ultra-Drum Rack, Ultra-Drum Rack Containment System, accessed online Nov. 11, 2016, [www.environmentalsafetysvc.com](http://www.environmentalsafetysvc.com), 1 page, USA.

Five Gallon Ideas, Shelving / Five Gallon Ideas, accessed online Nov. 11, 2016, [fivegallonideas.com](http://fivegallonideas.com), 1 page, USA.

Racks—Material Handling Solutions LLC, Heavy Duty Drum Pallet Racks, accessed online Nov. 11, 2016, 1 page, USA.

Emcsquared, 5 Gallon Pail Racks Material Supply Systems, accessed online Nov. 8, 2016, [www.emcsquared.com](http://www.emcsquared.com), 1 page, Auburn Hills, MI, USA.

Lubrigard, IFH—Rack System—Storage Racks, accessed online Nov. 8, 2017, [www.lubrigard.com](http://www.lubrigard.com), 1 page, USA.

Morse, Pailpro, 5-Gallon Bucket Tilters / Tippers / Bucket Cradles, accessed online Nov. 8, 2016, [www.morsedrum.com](http://www.morsedrum.com), 1 page, USA.

Bonanza, 5 gallon bucket storage rack holds 9 buckets and 50 similar items, accessed online Nov. 8, 2016, [www.bonanza.com](http://www.bonanza.com), 1 page, USA.

The Spill Source, Mini-Racker Mobile Unit, accessed online Nov. 8, 2016, [www.spillsource.net](http://www.spillsource.net), 1 page, USA.

Shelf, believed to be commercially available from Shell, and Oil Container, believed to be commercially available Quaker State oil brand; photos taken Nov. 2016, USA.

\* cited by examiner

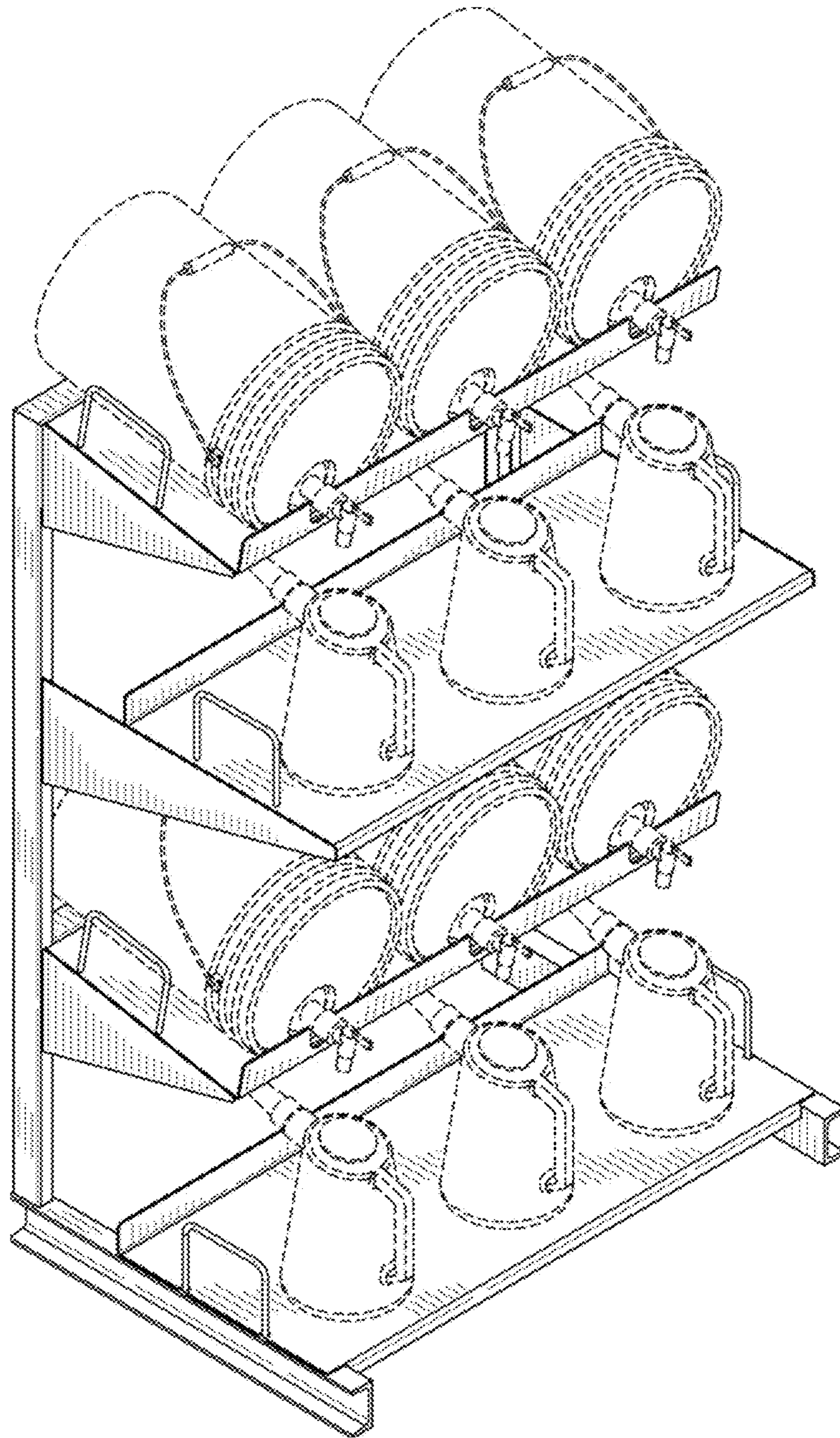


FIG. 1

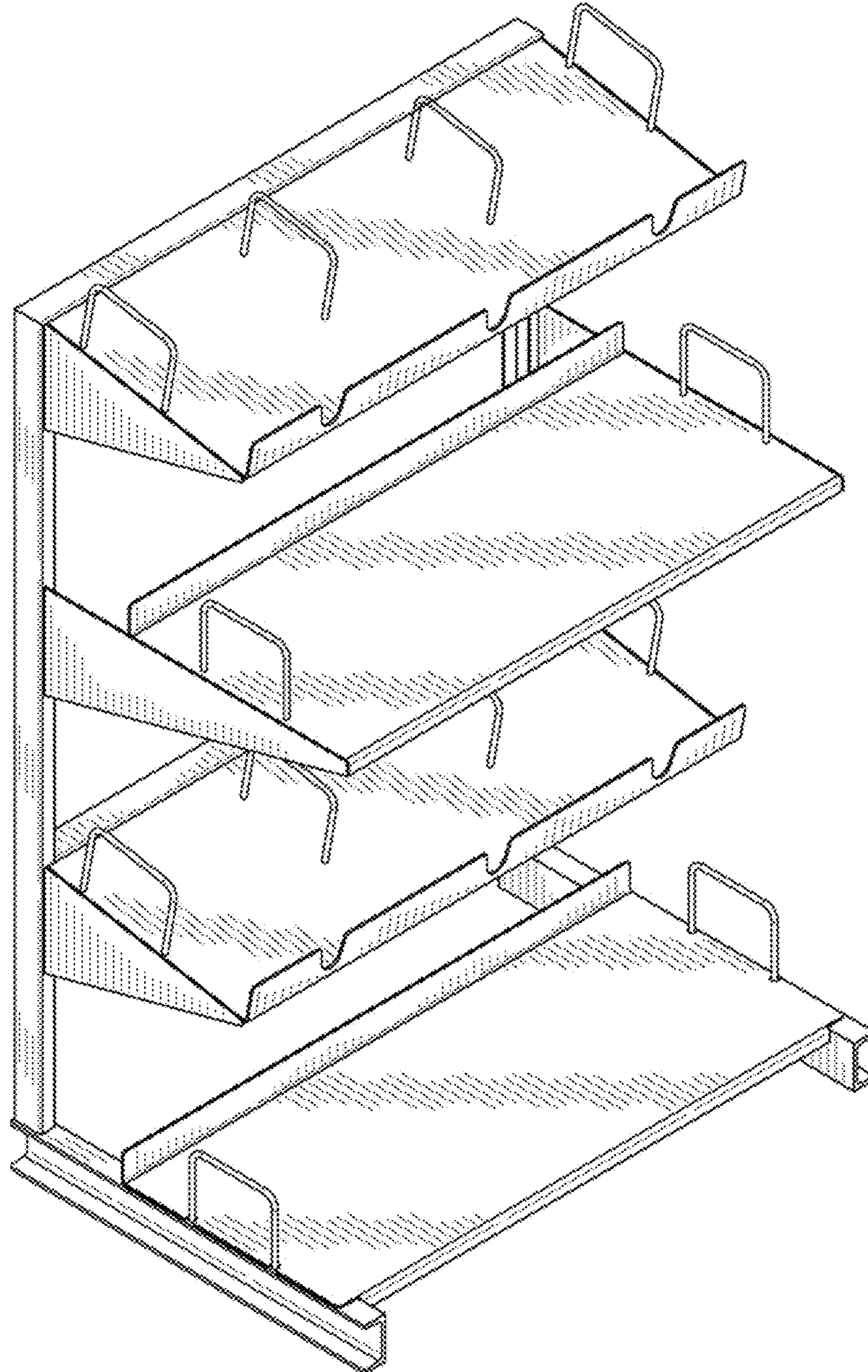


FIG. 2

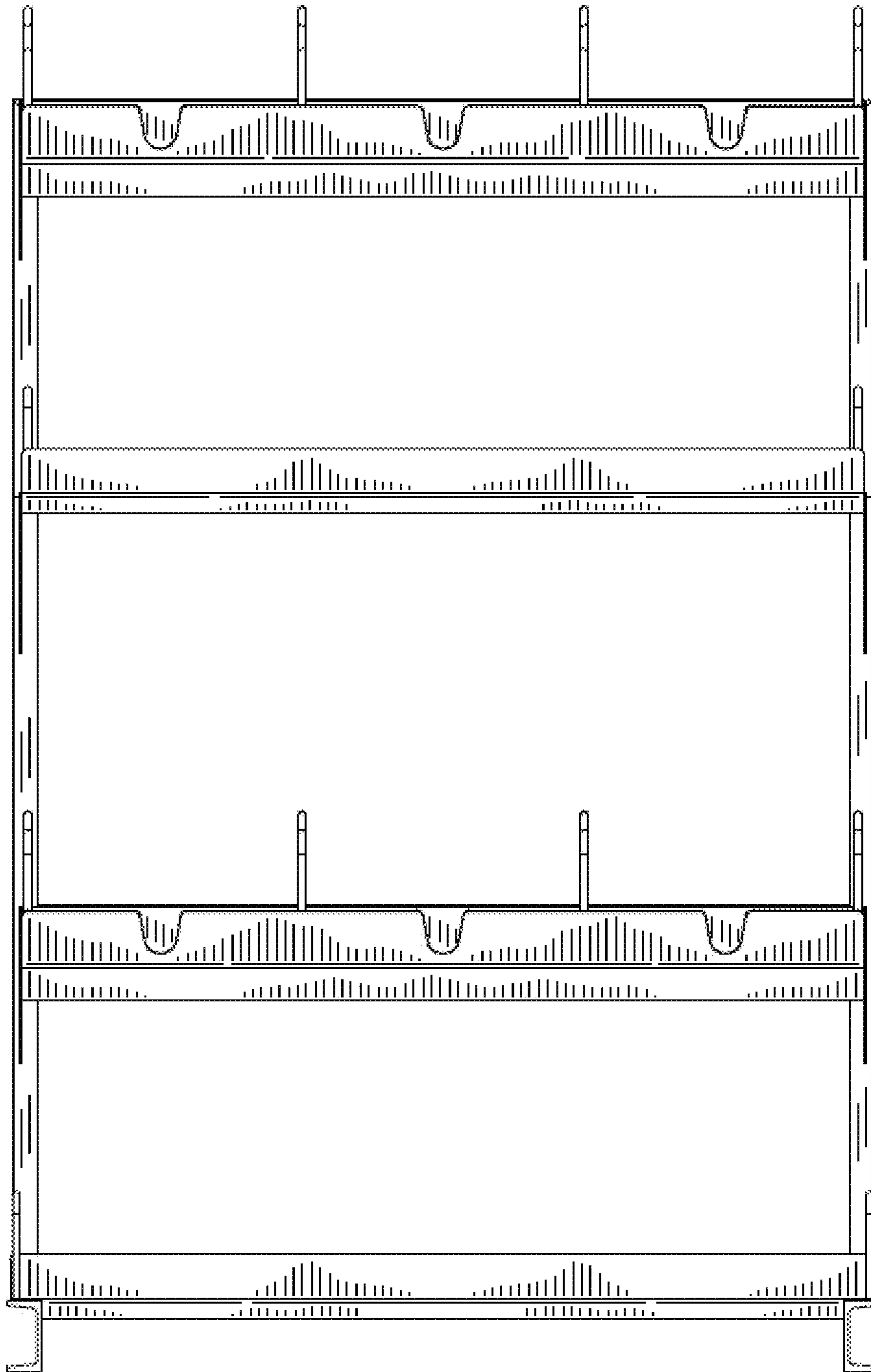


FIG. 3

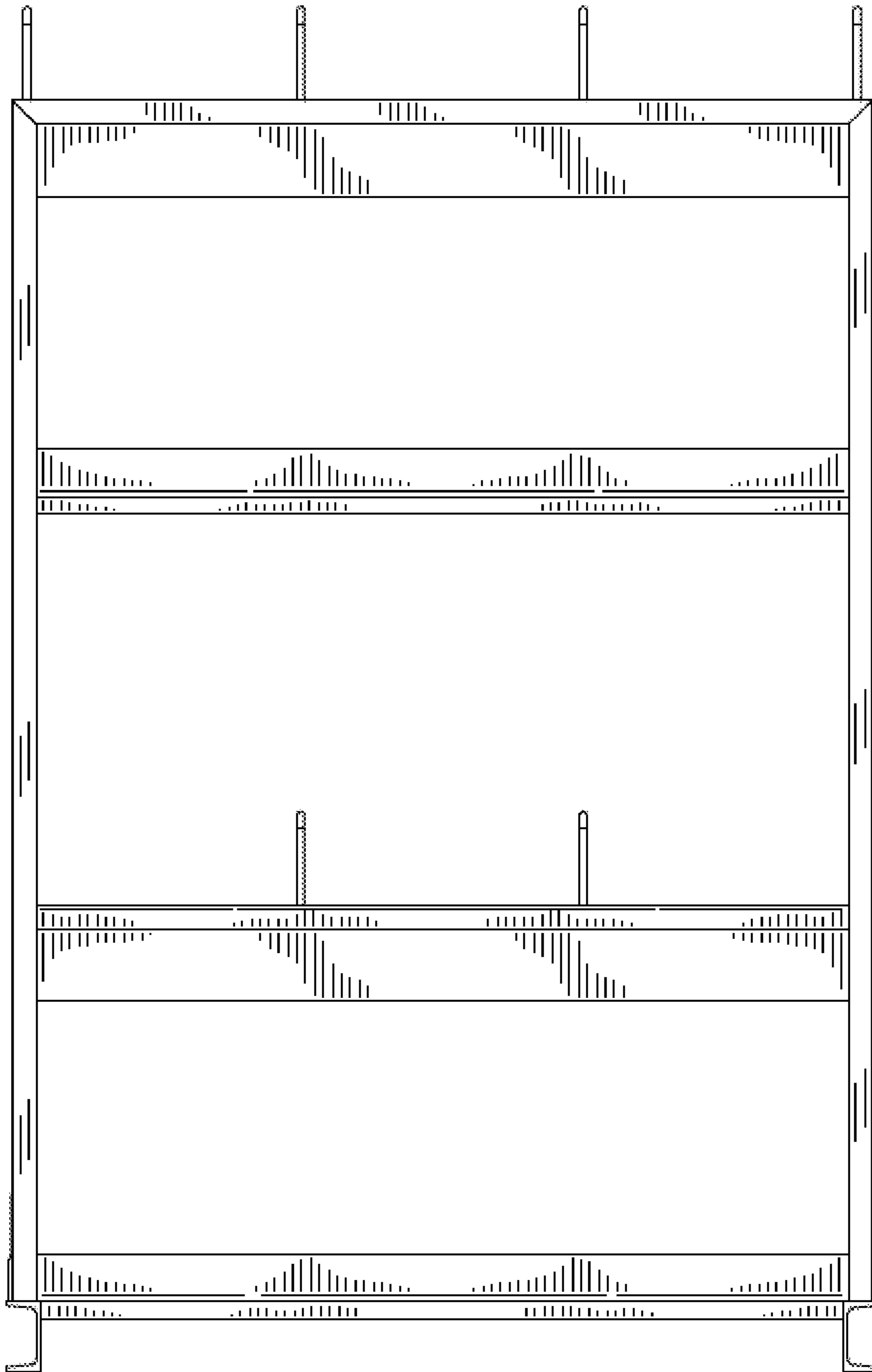


FIG. 4

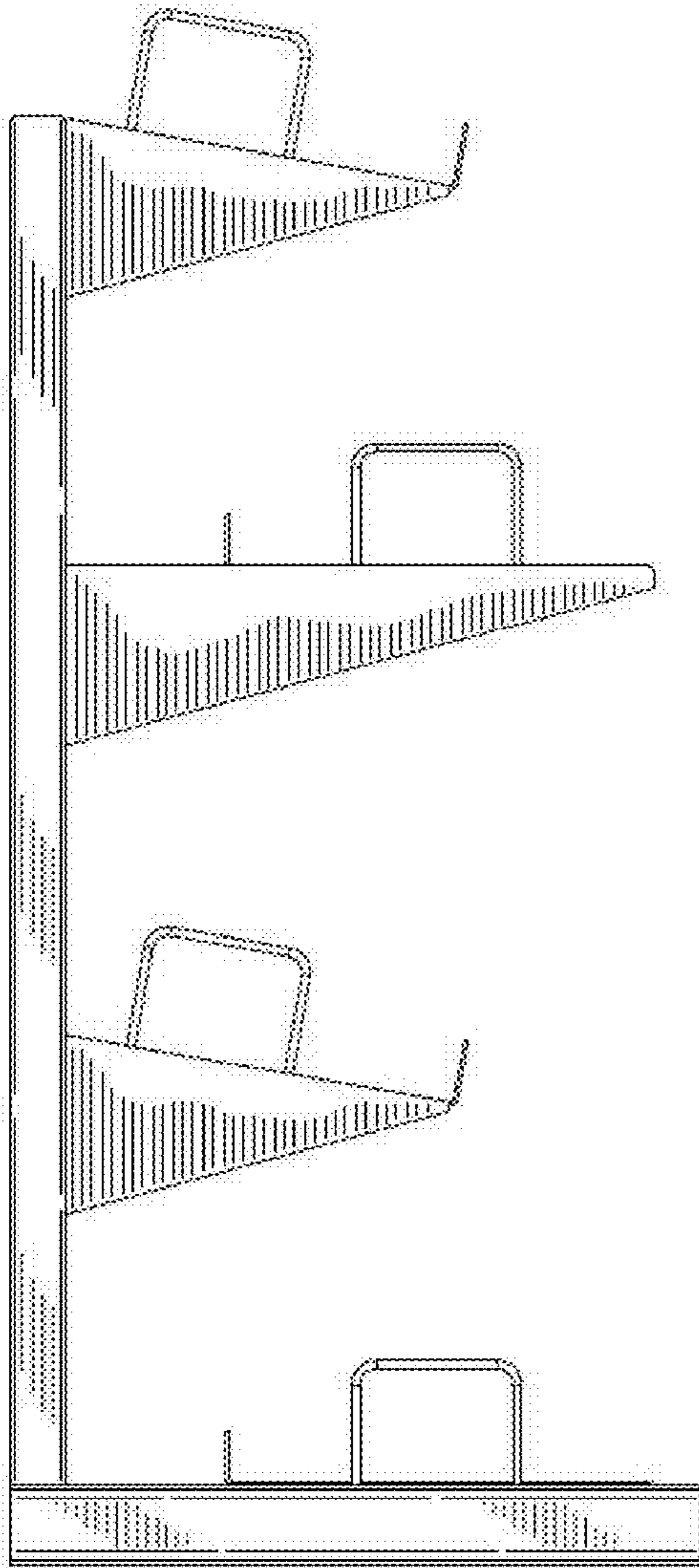


FIG. 5

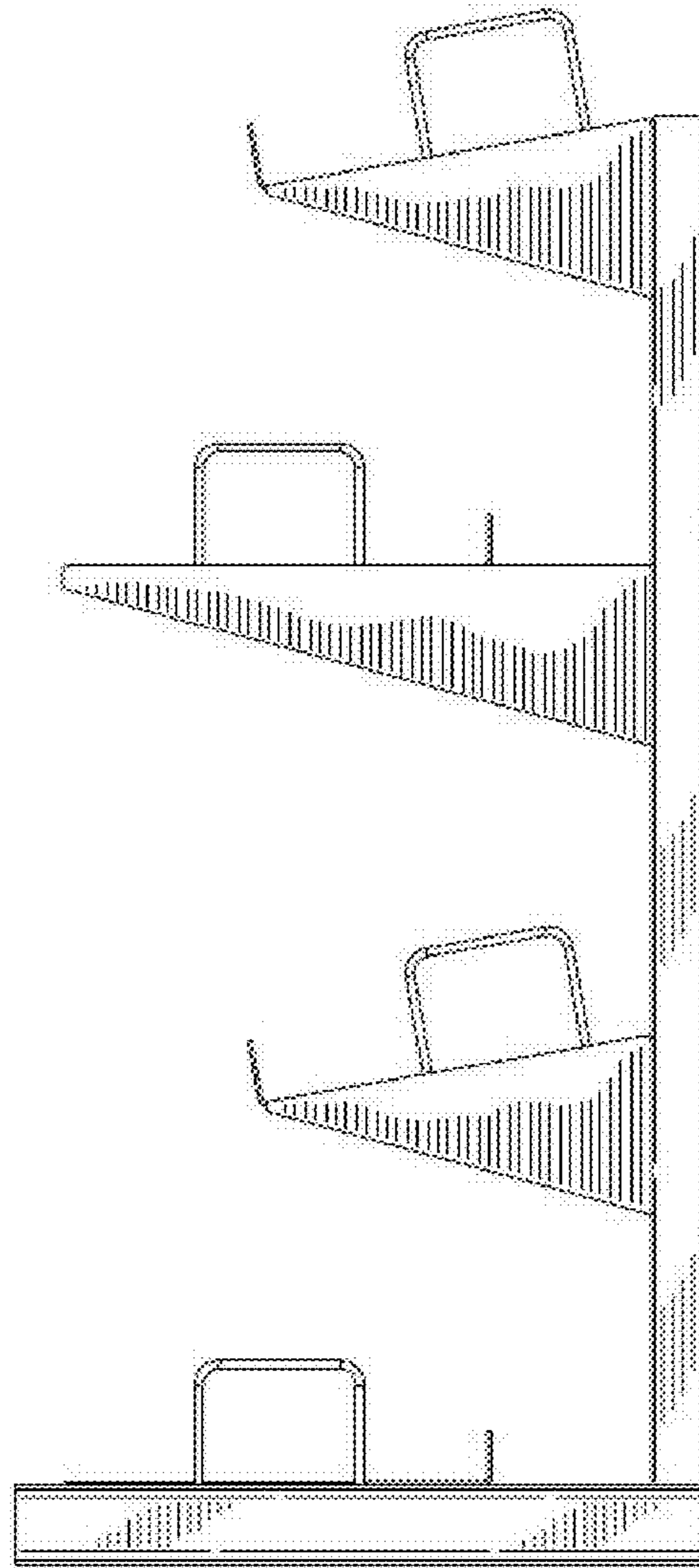


FIG. 6

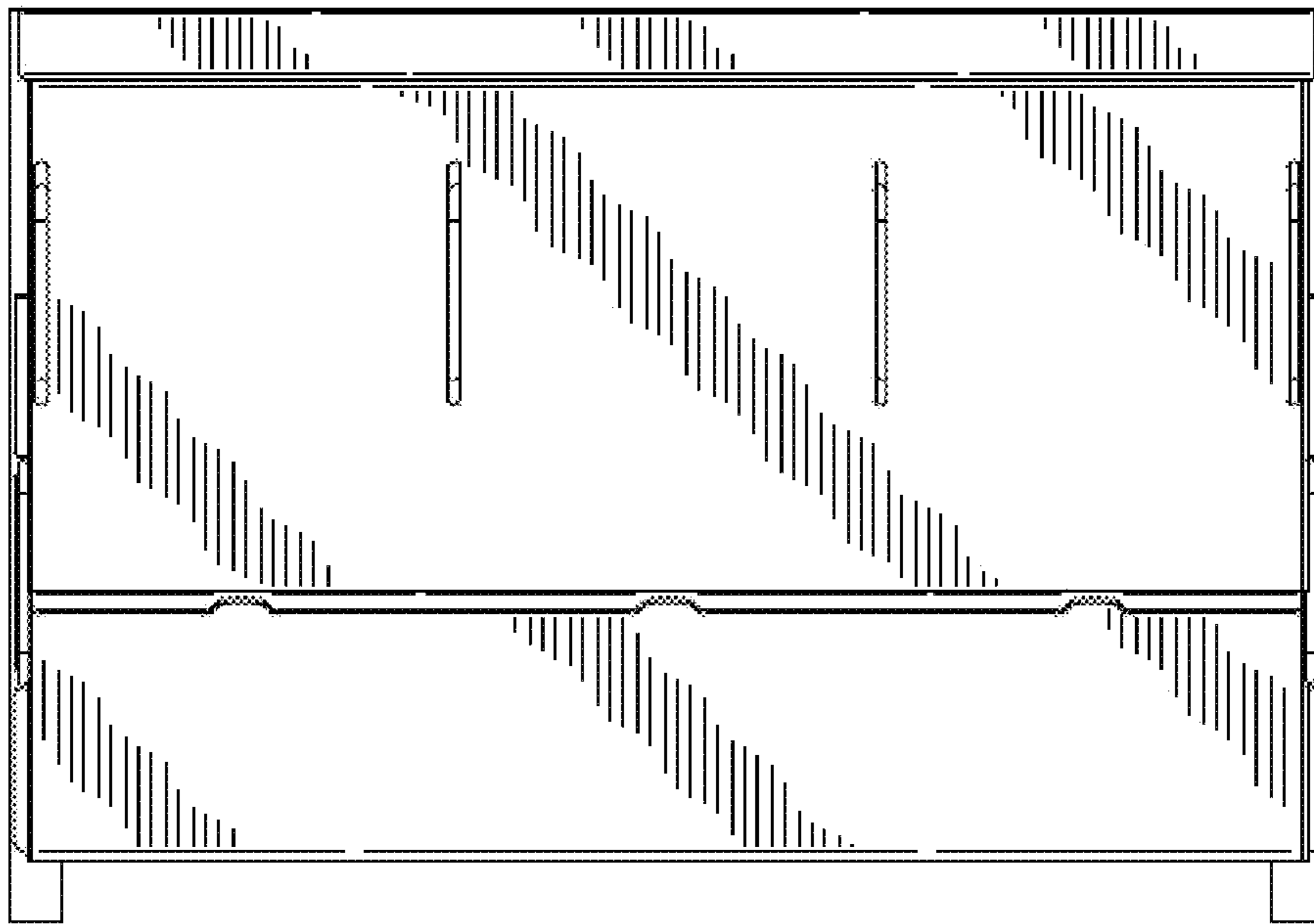


FIG. 7