



US00D833780S

(12) **United States Design Patent**
Valeri

(10) **Patent No.:** **US D833,780 S**

(45) **Date of Patent:** **** Nov. 20, 2018**

- (54) **TRAVEL DESK**
- (71) Applicant: **Casmir Valeri**, Saint Paul, MN (US)
- (72) Inventor: **Casmir Valeri**, Saint Paul, MN (US)
- (**) Term: **15 Years**
- (21) Appl. No.: **29/590,396**
- (22) Filed: **Jan. 10, 2017**
- (51) **LOC (11) Cl.** **06-03**
- (52) **U.S. Cl.**
USPC **D6/655.17; D6/655.21**
- (58) **Field of Classification Search**
USPC D6/641, 655, 655.17, 655.21, 657, 685,
D6/686, 689, 690, 691, 691.1, 691.2,
D6/691.3, 691.4, 691.5, 691.6, 691.7,
D6/691.8, 691.9, 699, 699.1, 699.2,
D6/699.3, 699.4, 699.5, 702, 707, 707.15,
D6/707.19, 708, 709
CPC .. A47B 37/00; A47B 3/00; A47B 1/00; A47B
3/06; A47B 3/08; A47B 3/0912; A47B
7/00; A47B 21/00; A47B 23/00; A47B
25/00; A47B 13/08; A47B 3/083; A47B
3/14; A47B 41/00; A47B 17/00; A47B
3/0809; A47B 3/0812; A47B 2013/026;
A47B 2200/03; A47B 2200/00; A47B
2003/0821; A47C 3/045
See application file for complete search history.

- 5,769,514 A * 6/1998 Brown A47B 3/08
108/129
- 6,044,758 A * 4/2000 Drake A47B 23/001
100/43
- D491,389 S * 6/2004 Bosman D6/708
- 7,908,978 B1 * 3/2011 Pelton, Jr. A47B 21/06
108/50.01
- D773,218 S * 12/2016 Everson D6/691.9

OTHER PUBLICATIONS

Jpeg 598x598, posted at 2i.c-b.co, posted on Oct. 7, 2014, site visited Feb. 27, 2018. online, available from internet: http://2i.c-b.co/is/image/CB2/AcrylicBedTrayLLF12/&%24web_zoom%24&/1308302041/acrylic-bed-tray.jpg.*

Need a laptop desk, posted at Ikehackers.net, posted on Jun. 25, 2007, site visited Feb. 27, 2018. online, available from internet: <https://www.ikeahackers.net/2007/06/need-laptop-desk-diy-your-own-stand.html>.*

* cited by examiner

Primary Examiner — Mary Ann Calabrese

Assistant Examiner — Catherine Ho

(74) *Attorney, Agent, or Firm* — Johnson and Phung LLC; Thomas N. Phung

(57) **CLAIM**

I claim the ornamental design for a travel desk, as shown and described.

DESCRIPTION

FIG. 1 is perspective of a collapsible travel desk showing my new design;

FIG. 2 is a front elevation view of the collapsible travel desk;

FIG. 3 is a left plan view of the collapsible travel desk;

FIG. 4 is a rear elevation view of the collapsible travel desk;

FIG. 5 is a right plan view of the collapsible travel desk;

FIG. 6 is a top side view thereof; and,

FIG. 7 is a bottom view of the collapsible travel desk.

1 Claim, 3 Drawing Sheets

(56) **References Cited**

U.S. PATENT DOCUMENTS

- 2,131,900 A * 10/1938 Morgan A47B 13/08
144/353
- 2,462,677 A * 2/1949 Roberts A47B 3/0912
108/155
- 2,743,979 A * 5/1956 Shore A47B 1/04
108/35
- D225,806 S * 1/1973 Torrey D6/655.21
- D258,789 S * 4/1981 Verdesca D6/655.17
- D362,140 S * 9/1995 Pedersen D6/691.5

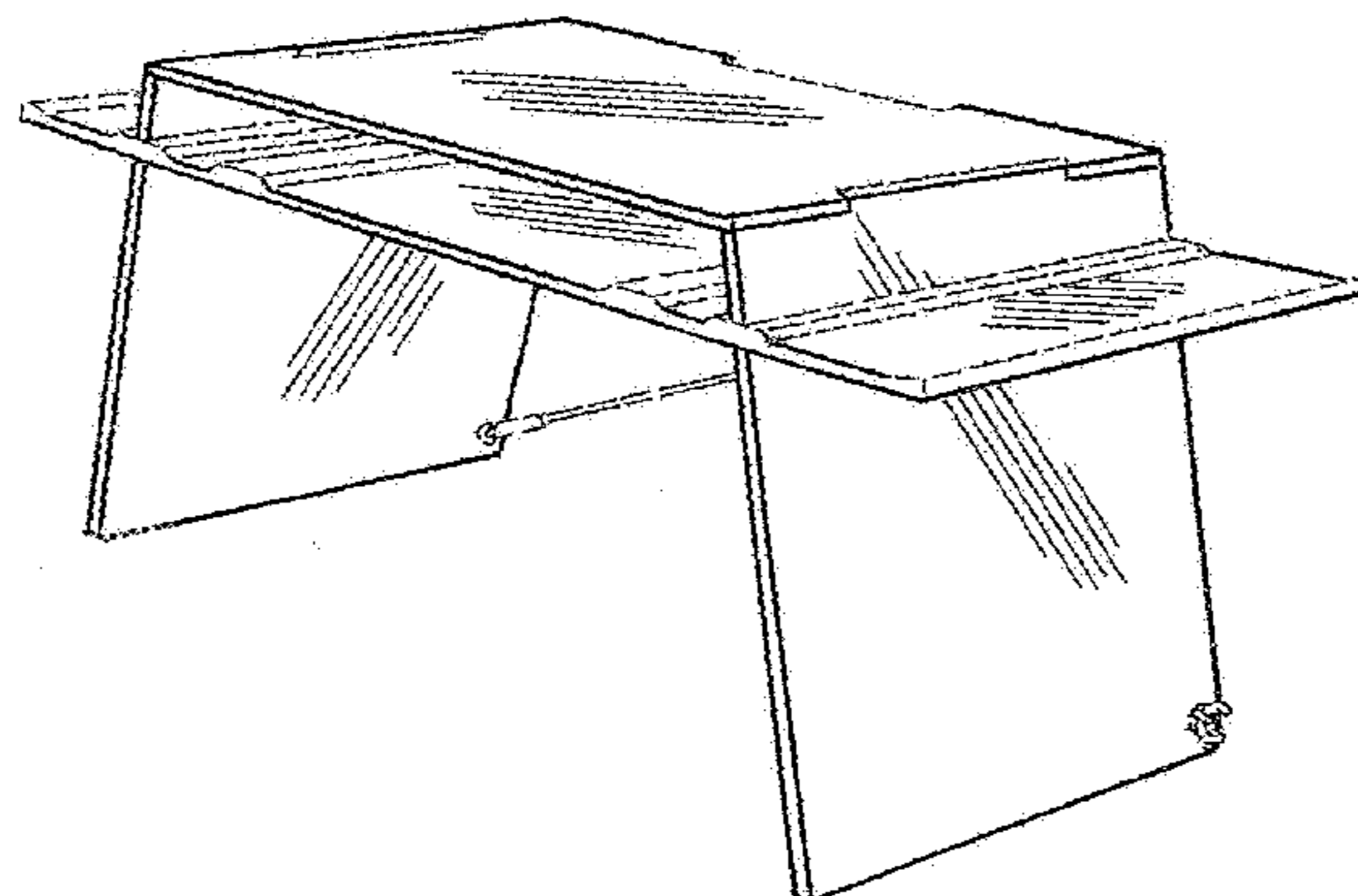


FIG. 1

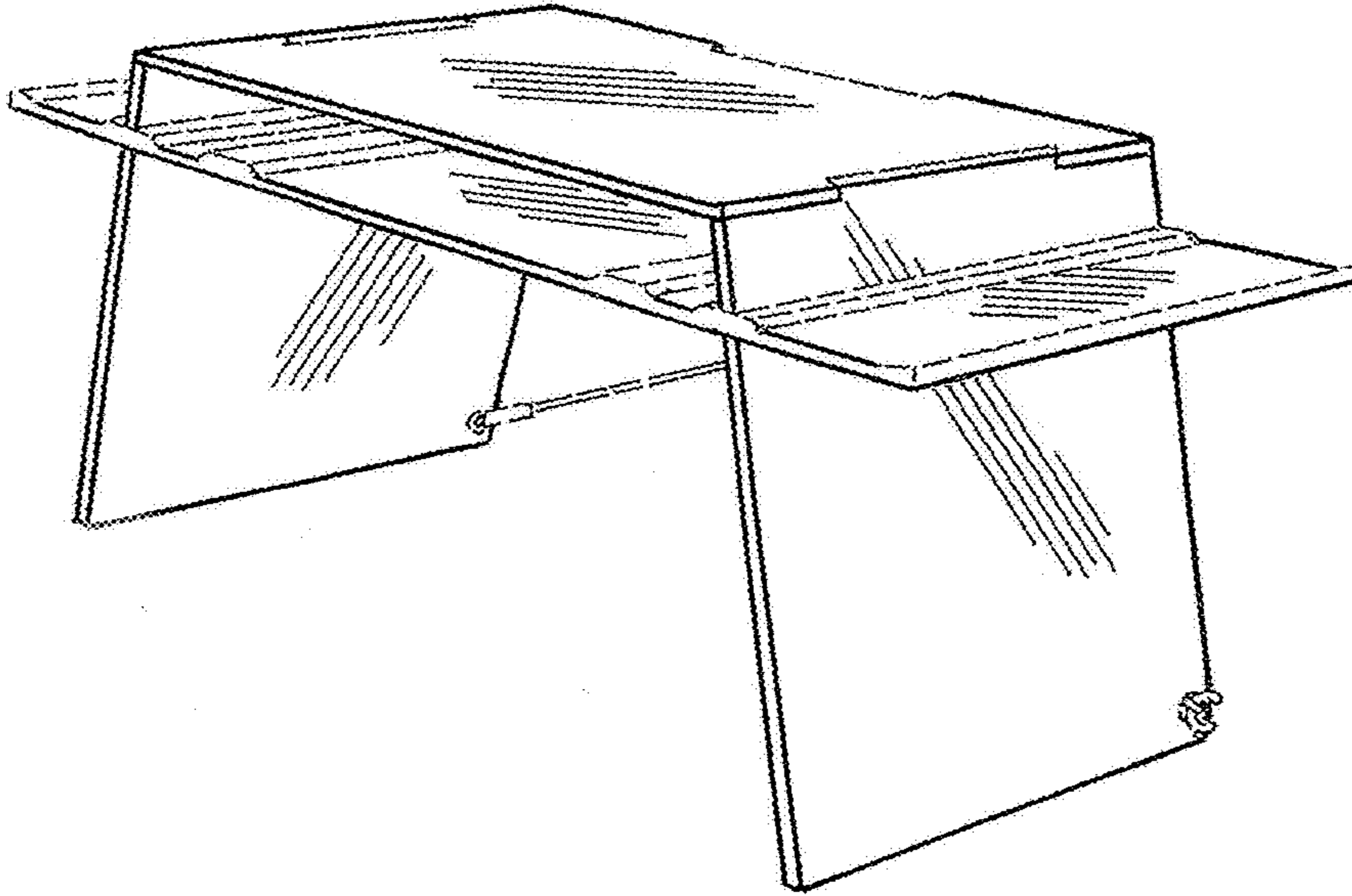


FIG. 2

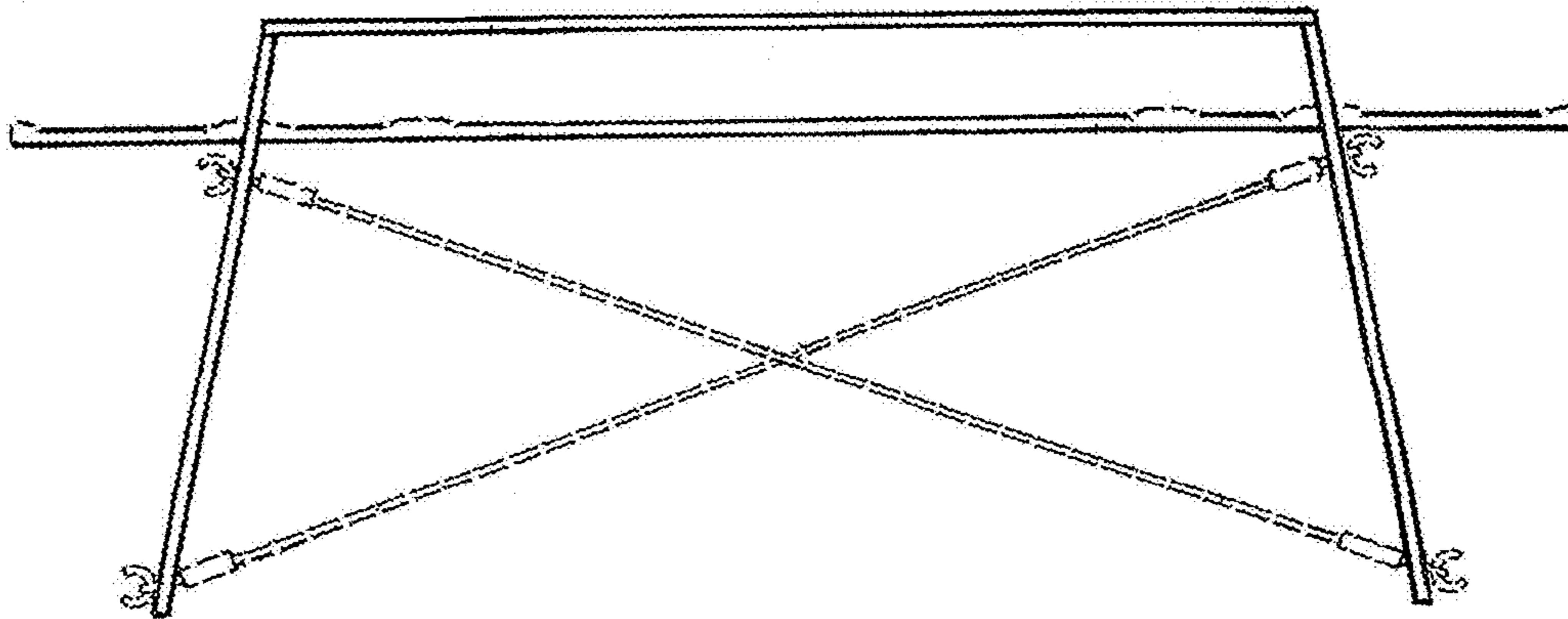


FIG. 3

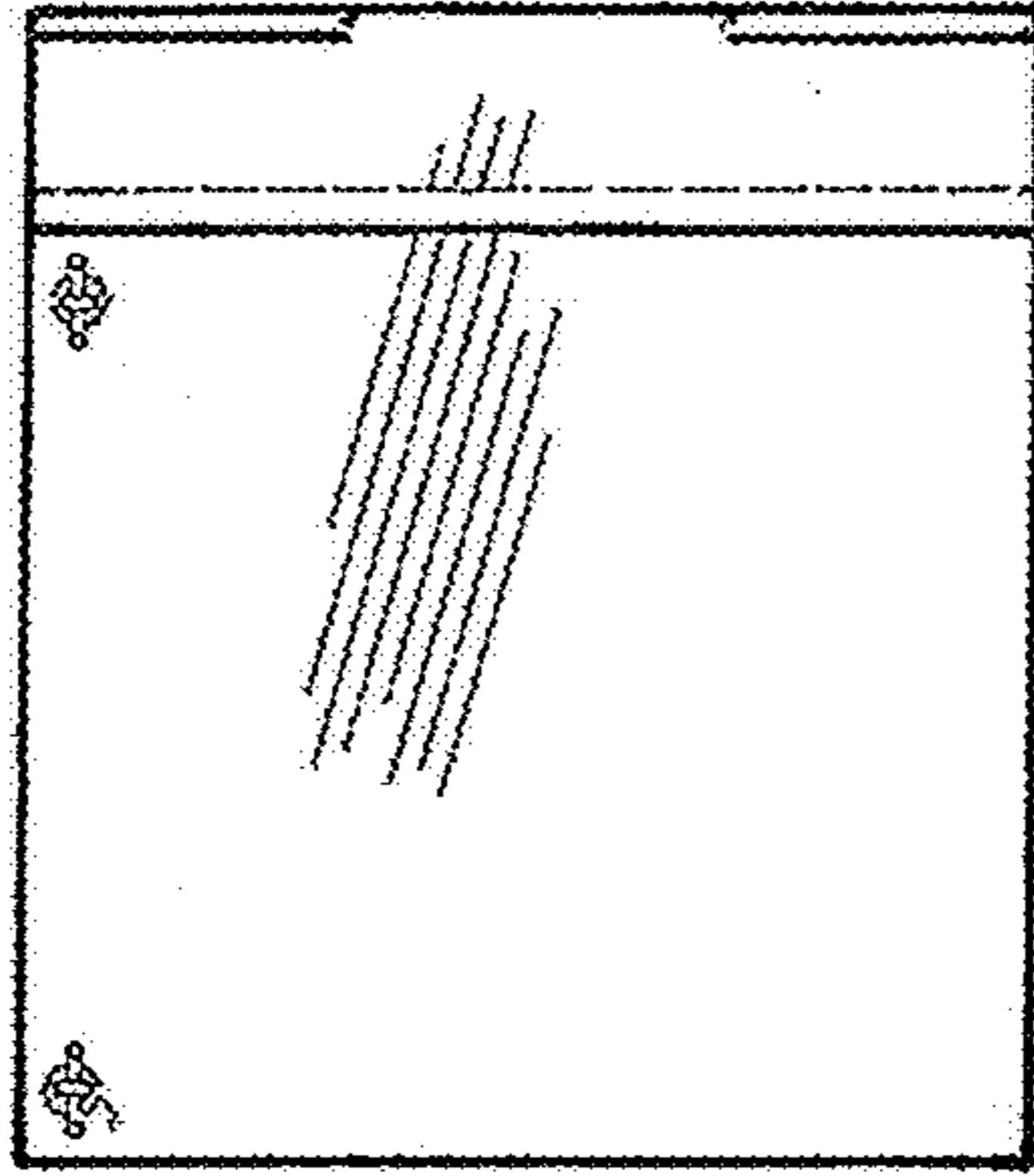


FIG. 4

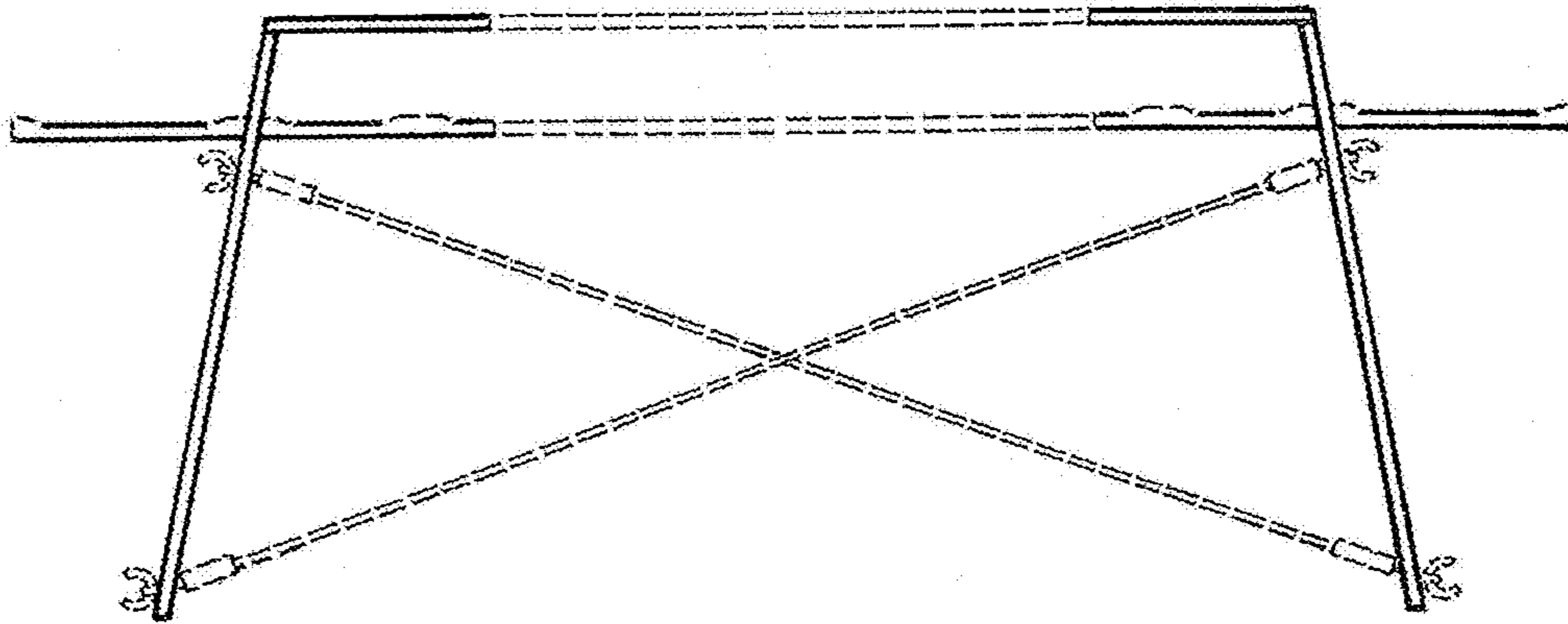


FIG. 5

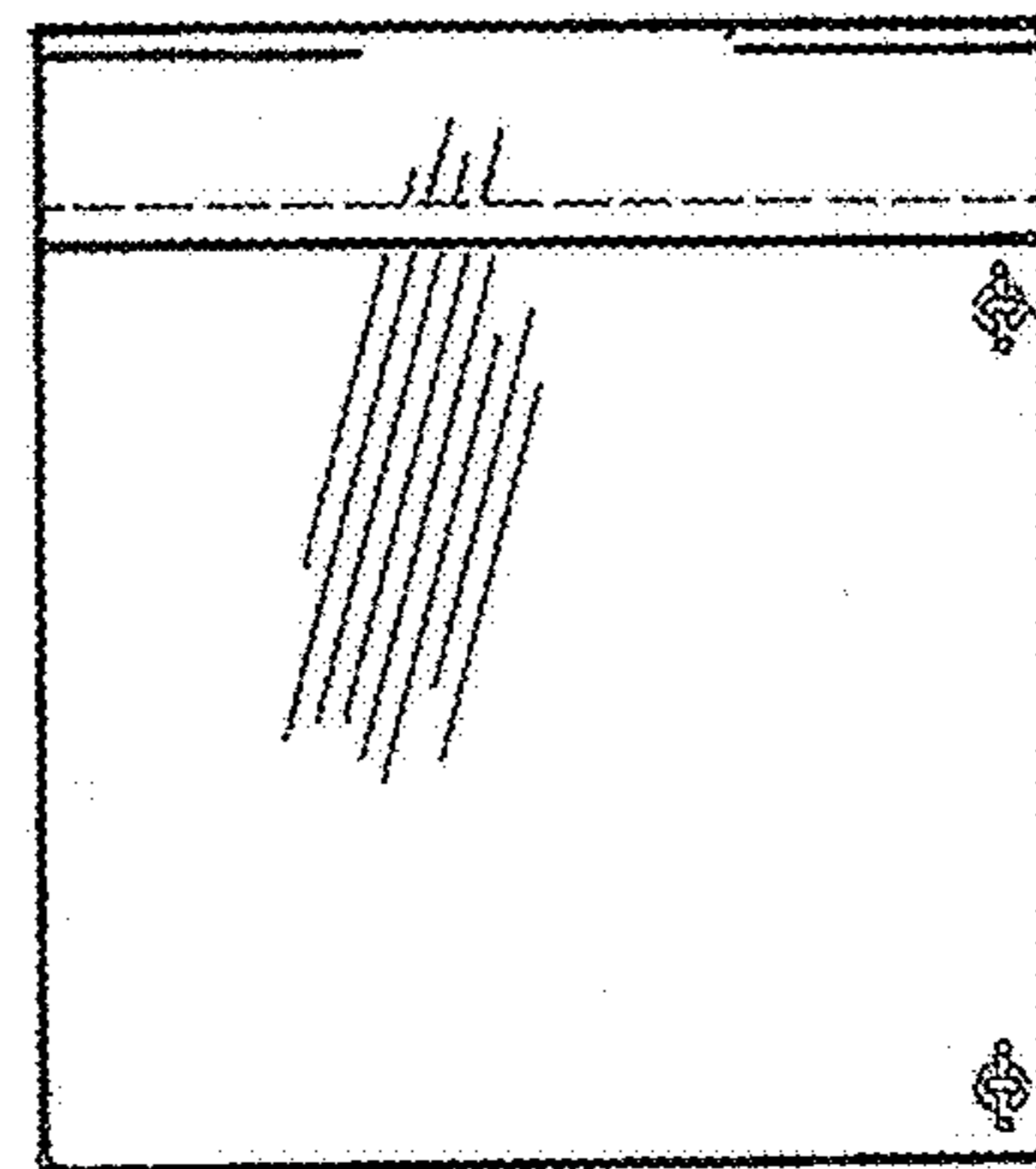


FIG. 6

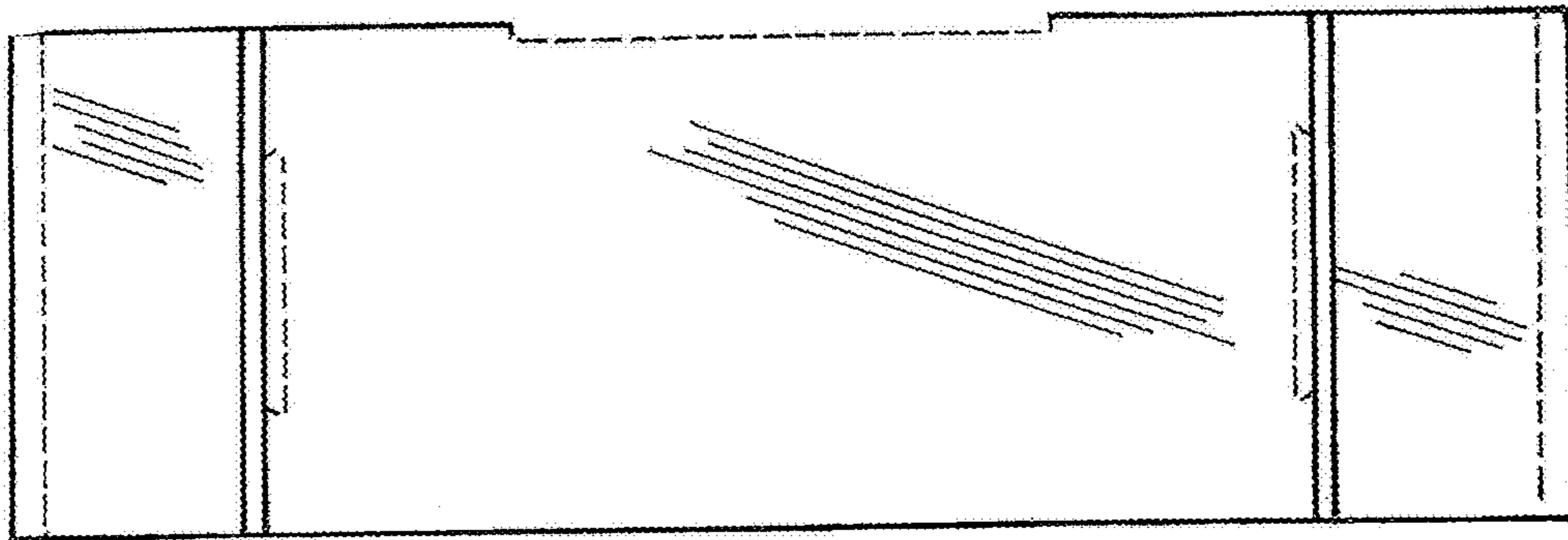


FIG. 7

