



US00D833776S

(12) **United States Design Patent**  
**Casserly**

(10) **Patent No.:** **US D833,776 S**

(45) **Date of Patent:** **\*\* Nov. 20, 2018**

(54) **PILLOW AND BLANKET ENSEMBLE**

6,182,309 B1 \* 2/2001 Sullivan ..... A45C 3/10  
5/419

(71) Applicant: **Marianne Casserly**, Falls Church, VA  
(US)

D439,463 S \* 3/2001 Bare ..... D6/595  
D439,464 S \* 3/2001 Shuster ..... D6/596

(72) Inventor: **Marianne Casserly**, Falls Church, VA  
(US)

(Continued)

(\*\*) Term: **15 Years**

**FOREIGN PATENT DOCUMENTS**

(21) Appl. No.: **29/600,985**

WO 2013112325 A1 8/2013

(22) Filed: **Apr. 18, 2017**

*Primary Examiner* — Shannon W Morgan

(51) **LOC (11) Cl.** ..... **06-13**

*Assistant Examiner* — Altaira J Swangin

(52) **U.S. Cl.**

(74) *Attorney, Agent, or Firm* — The Law Firm of Andrea Hence Evans, LLC

USPC ..... **D6/603**

(57) **CLAIM**

(58) **Field of Classification Search**

The ornamental design for a pillow and blanket ensemble, as shown and described.

USPC ..... D6/603, 608, 617–619; D2/719;  
D30/160; 206/812; 5/653–657, 417, 485

CPC ..... A61B 50/37; A47K 10/02; A47G 9/0223;  
A63B 6/00; A61L 2202/26

**DESCRIPTION**

See application file for complete search history.

FIG. 1 is a top, front left perspective view of a pillow and blanket ensemble;

(56) **References Cited**

**U.S. PATENT DOCUMENTS**

2,264,471 A \* 12/1941 Glenn ..... A47G 9/062  
2/69

FIG. 2 is a front view of the pillow and blanket ensemble design of FIG. 1;

2,883,682 A \* 4/1959 Kwake ..... A47G 9/1045  
5/419

FIG. 3 is a rear view of the pillow and blanket ensemble design of FIG. 1;

D212,149 S \* 9/1968 Tuvert ..... D2/719

FIG. 4 is a left side view of the pillow and blanket ensemble design of FIG. 1;

4,097,944 A \* 7/1978 Yulish ..... A47G 9/062  
5/419

FIG. 5 is a right side view of the pillow and blanket ensemble design of FIG. 1;

4,161,044 A \* 7/1979 Bogle ..... A47G 9/02  
5/494

FIG. 6 is a top view of the pillow and blanket ensemble design of FIG. 1;

D264,165 S \* 5/1982 McVeigh ..... D6/596

FIG. 7 is a bottom view of the pillow and blanket ensemble design of FIG. 1; and,

D280,170 S \* 8/1985 Short ..... D6/608

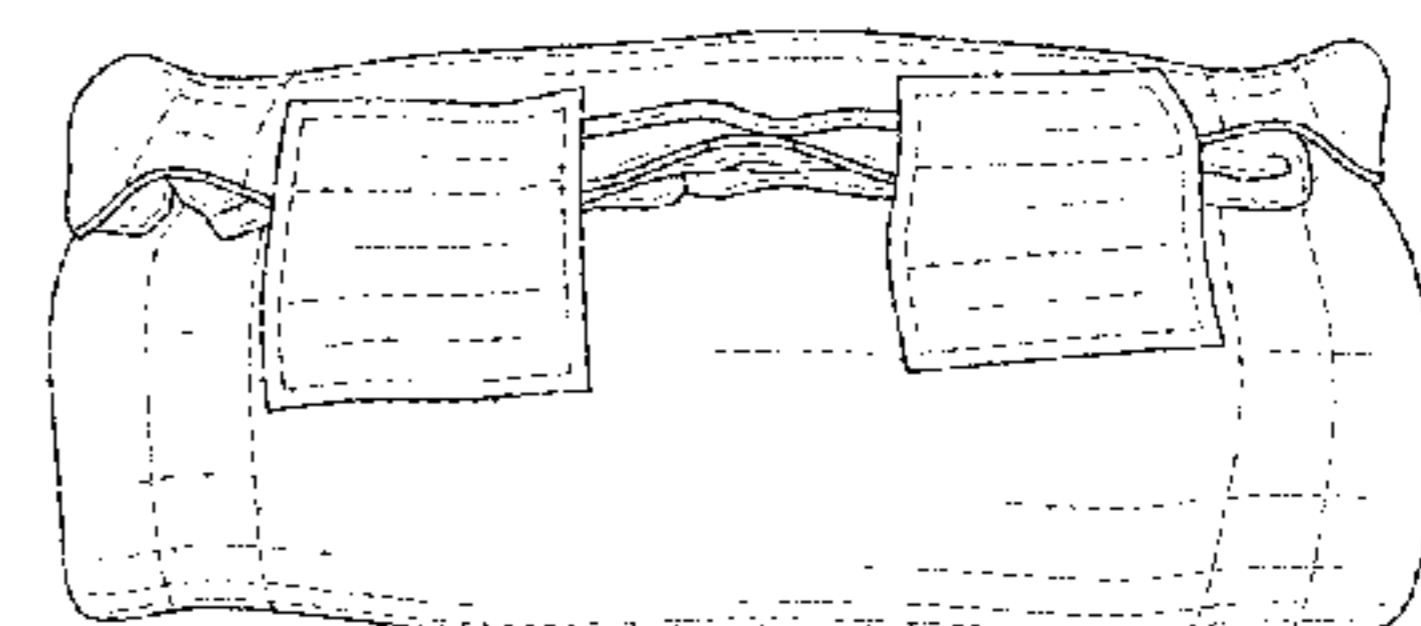
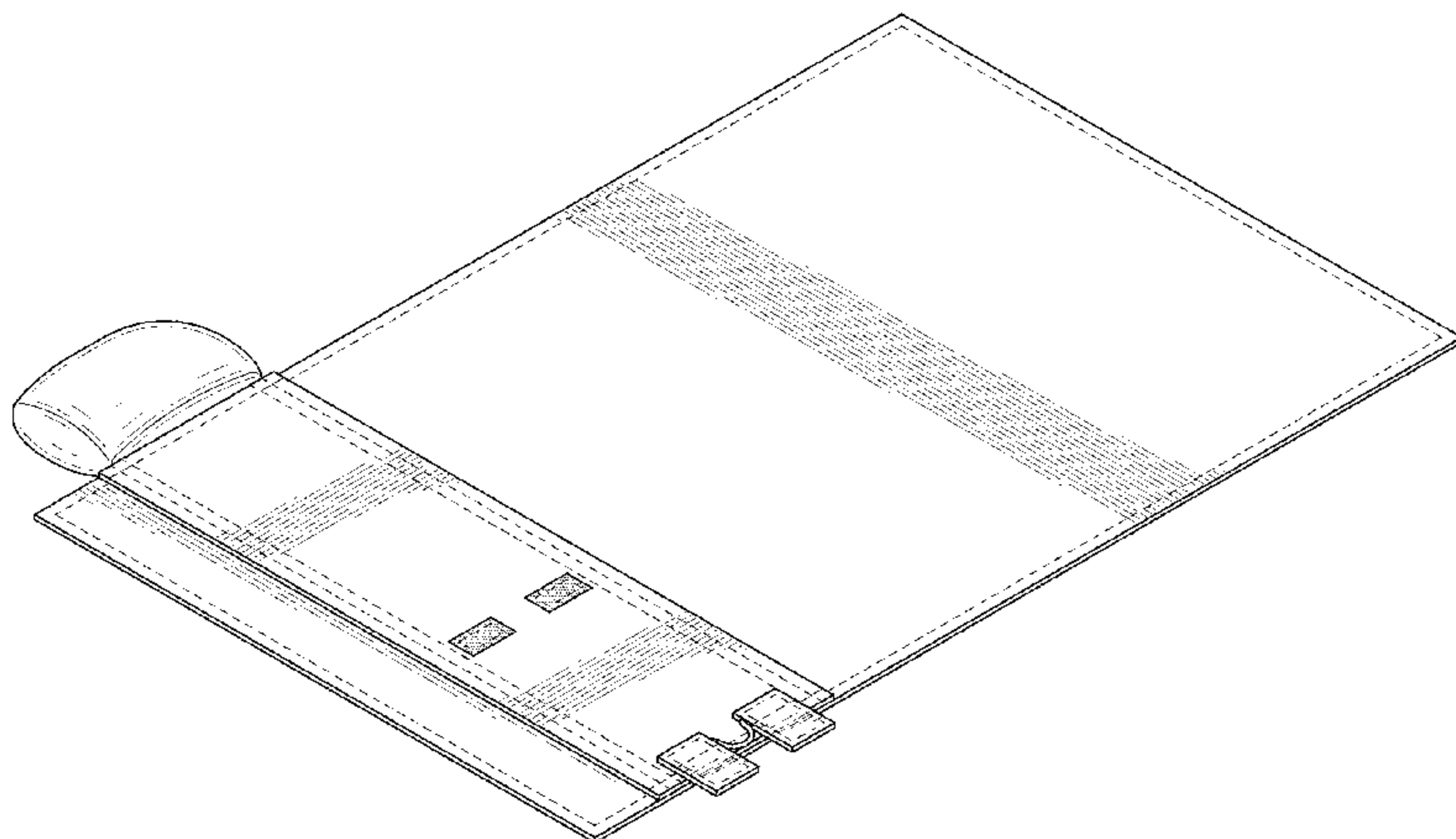
FIG. 8 is a view of the pillow and blanket ensemble of FIG. 1 in a alternate, folded configuration.

D318,772 S \* 8/1991 Phillips ..... 5/419

The broken lines shown in the figures depict portions of the pillow and blanket ensemble which form no part of the claimed design.

D341,513 S \* 11/1993 Reeves ..... 5/419

**1 Claim, 6 Drawing Sheets**



(56)

References Cited

U.S. PATENT DOCUMENTS

6,408,462 B1 \* 6/2002 Moore ..... A41D 3/08  
2/69  
6,721,973 B1 \* 4/2004 Cristiano ..... A47G 9/062  
383/4  
D620,739 S \* 8/2010 Mangano ..... D6/601  
D620,740 S \* 8/2010 Black ..... D6/603  
D634,149 S \* 3/2011 St. James ..... D6/608  
8,307,476 B1 \* 11/2012 Weaver ..... A47G 9/062  
5/417  
D681,997 S \* 5/2013 Benz ..... D6/603  
D707,466 S \* 6/2014 Lancaster ..... D6/603  
D712,683 S \* 9/2014 Faubion ..... D6/596  
8,959,679 B1 \* 2/2015 Everds ..... A47G 9/062  
206/38  
D727,664 S \* 4/2015 George ..... D6/608  
D756,688 S \* 5/2016 Mikesell ..... D6/603  
D774,801 S \* 12/2016 Clark ..... D6/596  
D776,459 S \* 1/2017 Ibarra ..... D6/603  
9,999,305 B1 \* 6/2018 Dryer ..... A47C 31/113  
D826,598 S \* 8/2018 Thomas ..... D6/603  
2004/0107500 A1 6/2004 Pigg  
2005/0283910 A1 12/2005 DuQue  
2011/0030140 A1 2/2011 Ruiz  
2011/0088165 A1 4/2011 Cruz  
2013/0171906 A1 \* 7/2013 Smoot ..... A47G 9/0207  
446/73  
2015/0113734 A1 4/2015 Arabo  
2015/0366382 A1 12/2015 Ostolaza-Torres  
2016/0037944 A1 2/2016 Savignano  
2018/0213952 A1 \* 8/2018 Penn ..... A47G 9/064

\* cited by examiner

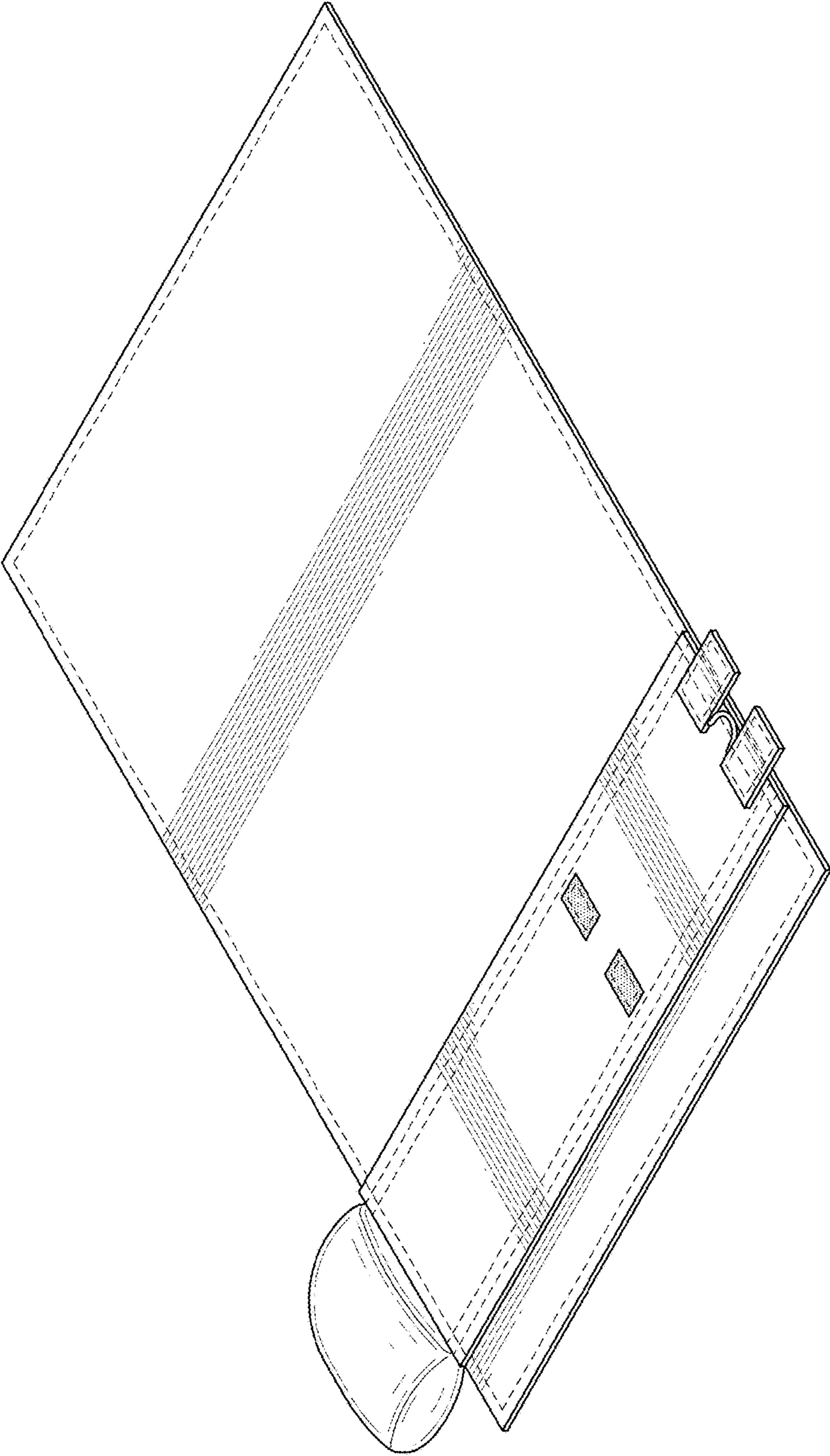


FIG.1

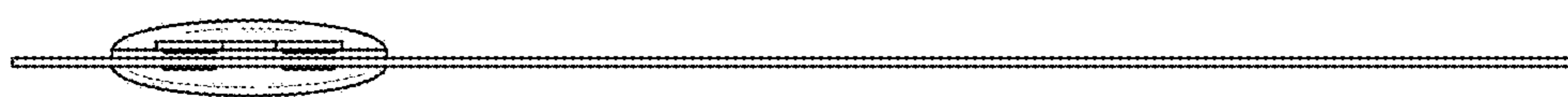


FIG. 2

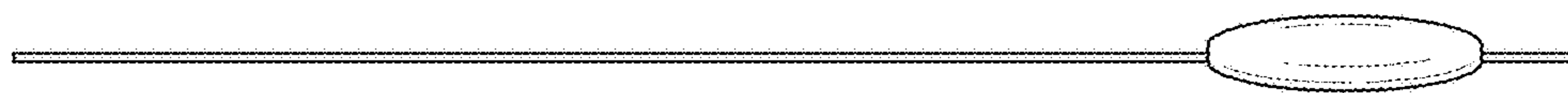


FIG. 3



FIG.4



FIG.5

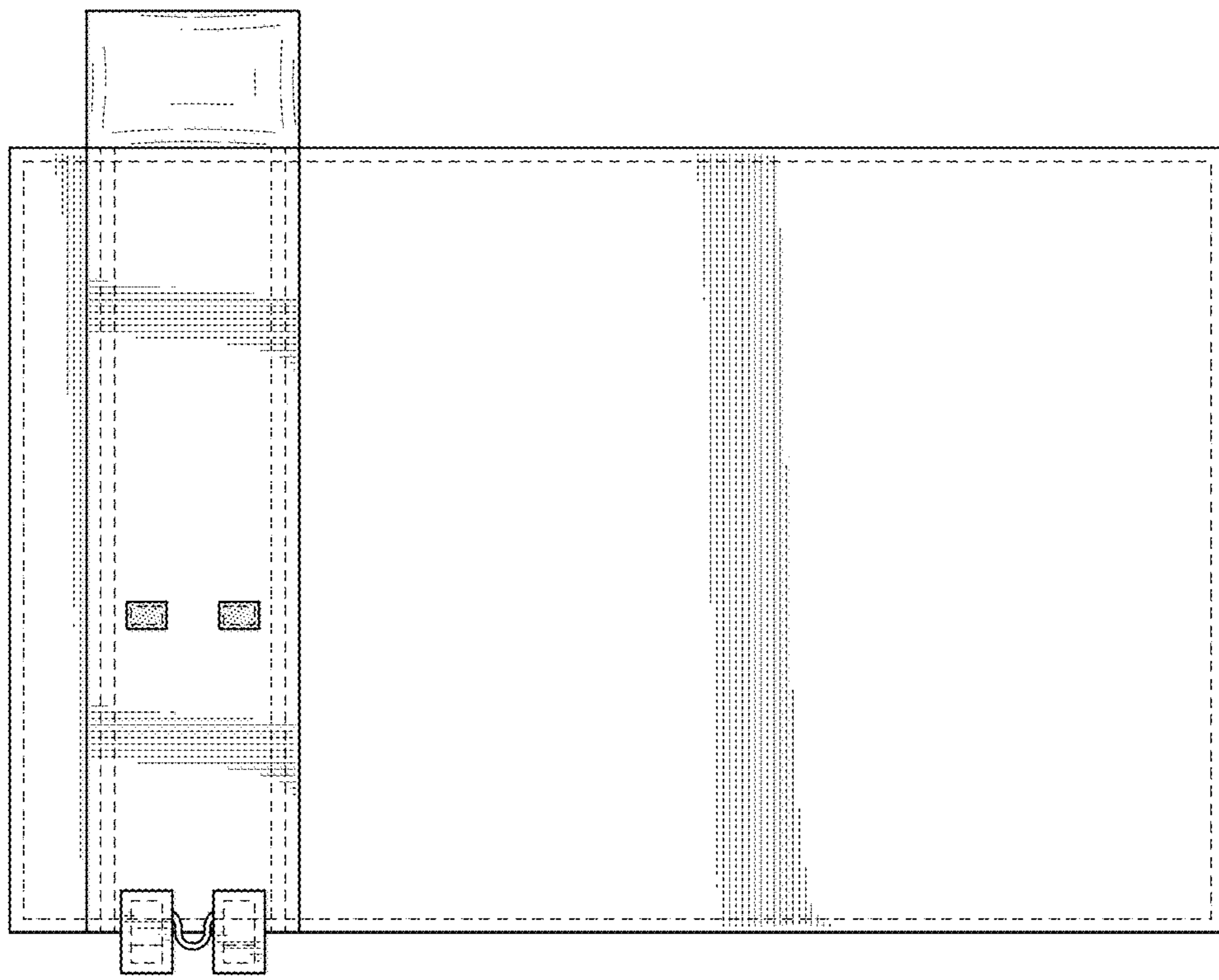


FIG.6

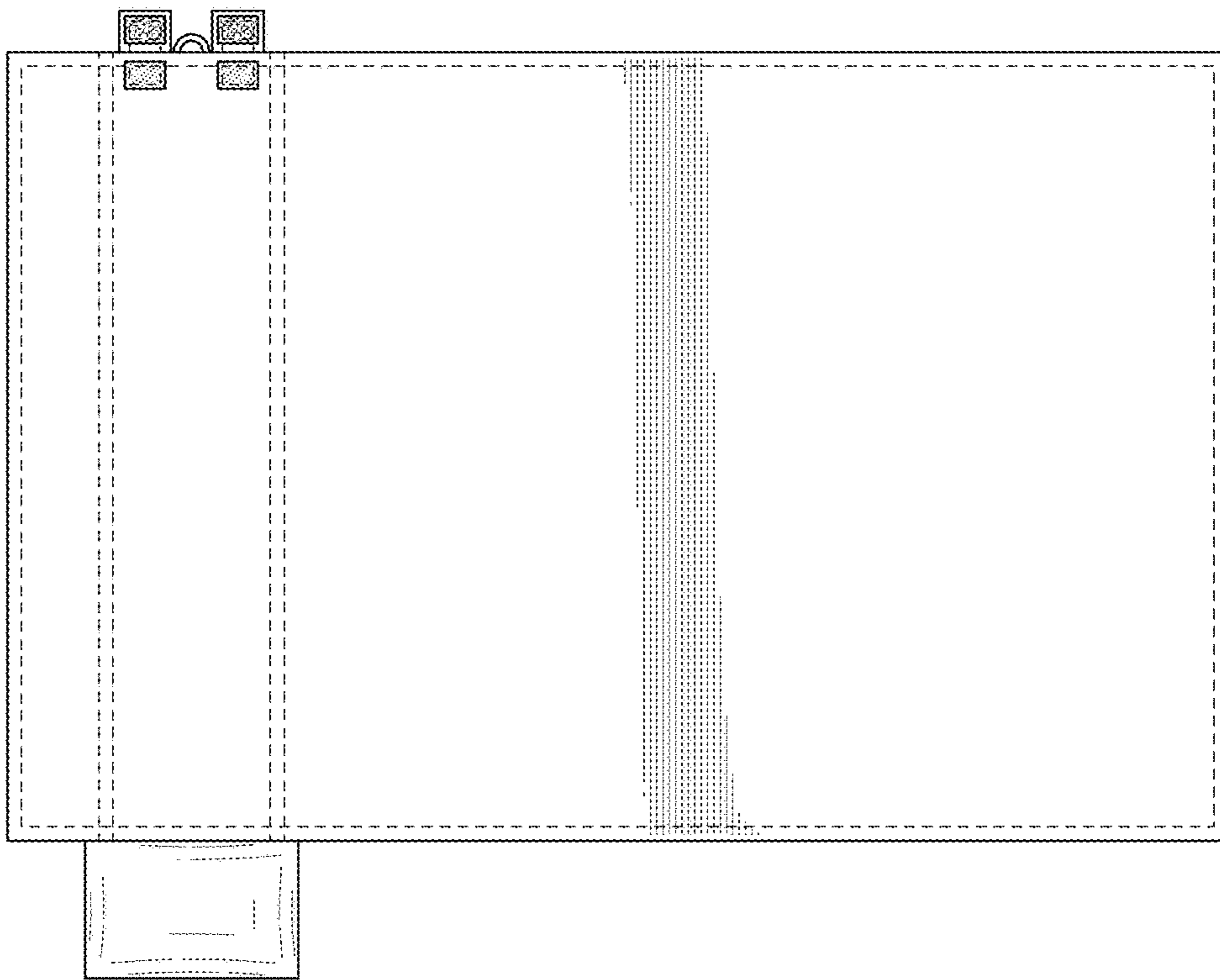


FIG.7

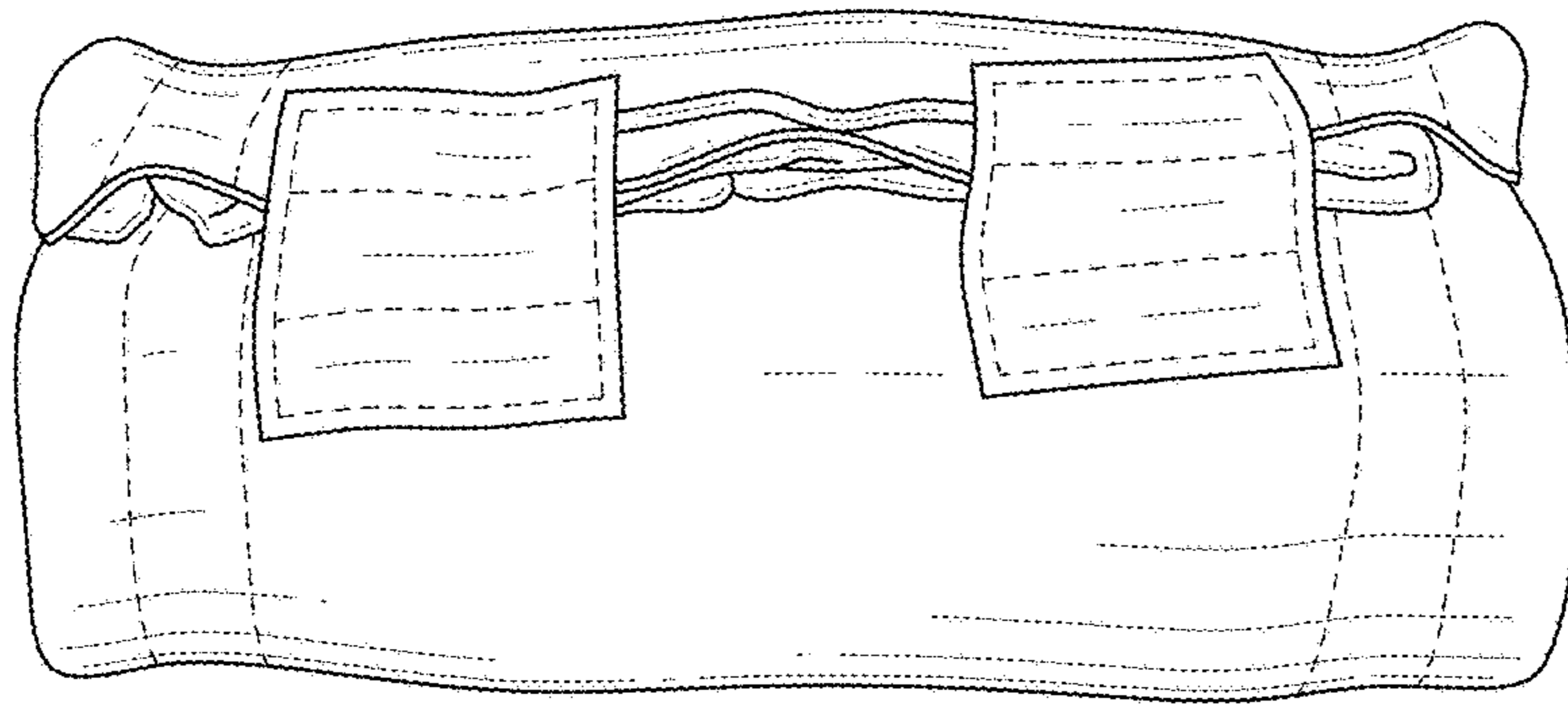


FIG.8