



US00D833772S

(12) **United States Design Patent** (10) **Patent No.:** **US D833,772 S**  
**Tuang** (45) **Date of Patent:** **\*\* Nov. 20, 2018**

(54) **HANGING SHELF**  
(71) Applicant: **EP Family Corp.**, Walnut, CA (US)  
(72) Inventor: **Bao-Yi Tuang**, Walnut, CA (US)  
(\*\*) Term: **15 Years**  
(21) Appl. No.: **29/622,494**  
(22) Filed: **Oct. 17, 2017**  
(51) **LOC (11) Cl.** ..... **06-04**  
(52) **U.S. Cl.**  
USPC ..... **D6/566; D19/90**  
(58) **Field of Classification Search**  
USPC ..... D6/566, 553, 567, 569, 570, 573;  
211/10, 11, 13.1, 45, 50, 52, 55, 87.01,  
211/90.03, 117, 119.005, 126.9, 126.11,  
211/126.13; D3/306, 307; D19/65, 75,  
D19/78, 86, 90, 91, 99, 100  
CPC .. A47F 5/01; A47F 7/00; A47F 7/0028; A47F  
5/0006; A47F 5/0823; A47F 1/082; A47F  
1/121; A47F 5/02; A47F 5/0846; A47F  
5/137; A47F 7/0064; A47F 7/065; A47F  
3/0404; A47F 5/0018; A47F 5/0025;  
A47F 5/0037; A47B 55/02; A47B 81/00;  
A47B 81/007; A47B 13/14; A47B  
2097/003; A47B 2220/0008; A47B 45/00;  
A47B 49/00; A47B 57/00; A47B 57/04;  
A47B 63/00; A47B 67/00; A47B 81/04;  
A47B 96/021; A47B 96/065  
See application file for complete search history.

(56) **References Cited**  
U.S. PATENT DOCUMENTS  
D86,790 S \* 4/1932 Levkoff ..... D6/683  
D280,466 S \* 9/1985 Seltzer ..... D12/422  
D286,485 S \* 11/1986 Frizzell ..... D6/573  
D310,761 S \* 9/1990 Mervar ..... D19/75  
D314,488 S \* 2/1991 Aaldenberg ..... D6/567

5,016,760 A \* 5/1991 Mayo ..... A47F 7/146  
211/55  
D321,446 S \* 11/1991 Liptak ..... D19/90  
D322,378 S \* 12/1991 Colman ..... D3/306  
D322,993 S \* 1/1992 Hobson ..... D19/75  
5,344,030 A \* 9/1994 Evenson ..... A47F 7/147  
211/55  
D353,735 S \* 12/1994 English ..... D6/567  
D365,954 S \* 1/1996 Milroy ..... D6/566  
D377,876 S \* 2/1997 Hatala ..... D6/513  
D386,337 S \* 11/1997 Zissu ..... D6/512  
D391,990 S \* 3/1998 Wolff ..... D19/78  
D407,930 S \* 4/1999 Camilleri ..... D3/306  
D437,354 S \* 2/2001 Andujar ..... D19/75  
D458,640 S \* 6/2002 Hofman ..... D19/75  
D475,411 S \* 6/2003 Hardy ..... D19/90  
D484,666 S \* 12/2003 Caya ..... D3/304

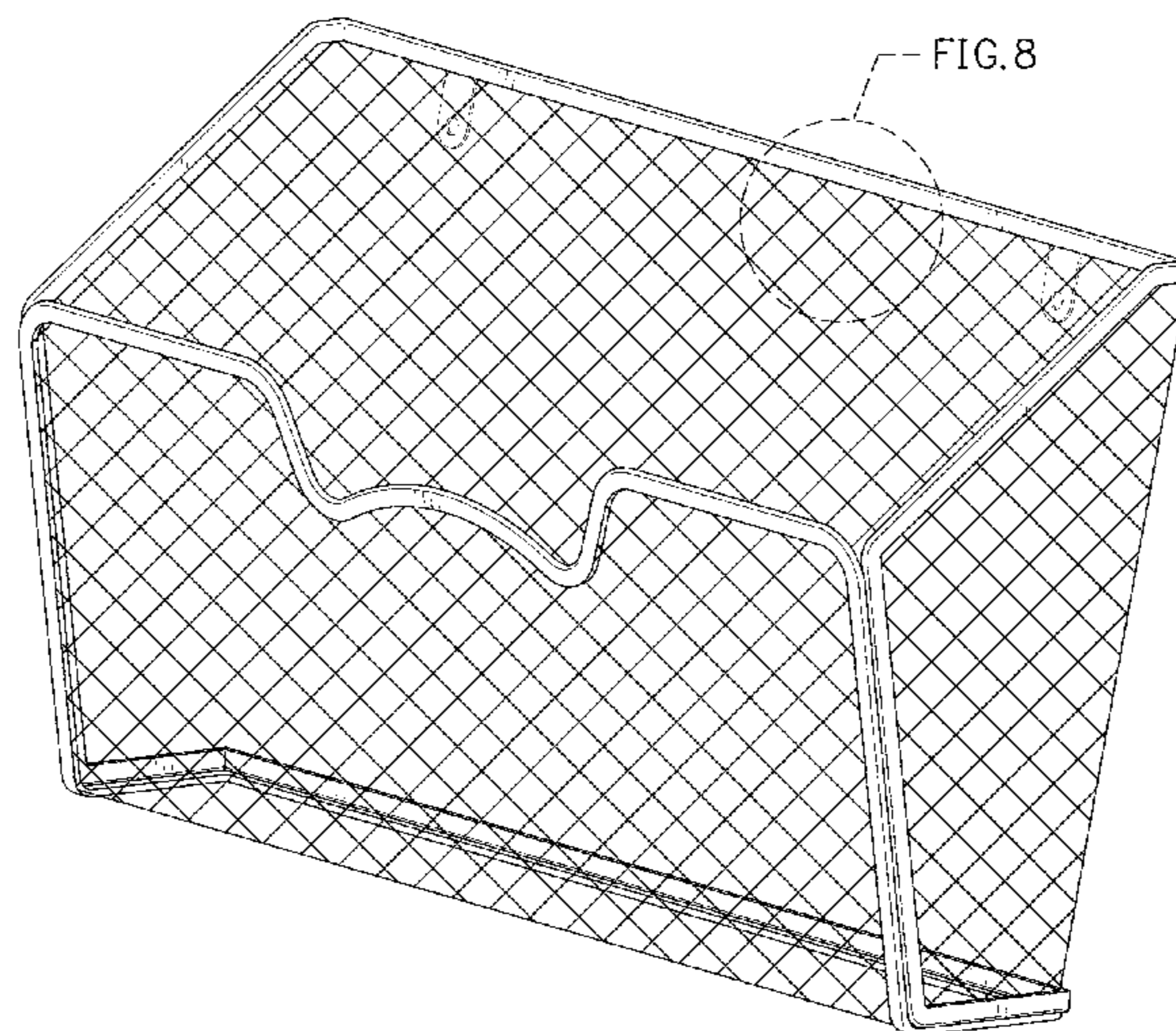
(Continued)

*Primary Examiner* — David G Muller  
*Assistant Examiner* — Nathan M Johnston  
(74) *Attorney, Agent, or Firm* — Tommy SF Wang; Wang  
IP Law Group, P.C

(57) **CLAIM**  
The ornamental design for a hanging shelf, as shown and  
described.

**DESCRIPTION**  
FIG. 1 is a perspective view of a hanging shelf showing my  
new design;  
FIG. 2 is a front view thereof;  
FIG. 3 is a rear view thereof;  
FIG. 4 is a left side view thereof;  
FIG. 5 is a right side view thereof;  
FIG. 6 is a top view thereof;  
FIG. 7 is a bottom view thereof; and,  
FIG. 8 is an enlarged view of an indicated portion of FIG.  
1.  
The broken line portions of the hanging shelf in FIGS. 1-7  
represent unclaimed portions of the claimed design and form  
no part thereof.

**1 Claim, 8 Drawing Sheets**



(56)

**References Cited**

U.S. PATENT DOCUMENTS

D486,185	S	*	2/2004	Sheldon	.....	D19/86
D488,660	S	*	4/2004	Post	.....	D6/566
D498,632	S	*	11/2004	Anderson	.....	D6/566
D507,108	S	*	7/2005	Suero, Jr.	.....	D3/304
D508,167	S	*	8/2005	Anderson	.....	D3/306
D508,321	S	*	8/2005	Anderson	.....	D3/306
D530,962	S	*	10/2006	Wood	.....	D6/566
D535,842	S	*	1/2007	Wood	.....	D6/567
D536,560	S	*	2/2007	Hajianpour	.....	D6/518
D545,060	S	*	6/2007	Cheng	.....	D3/304
D570,634	S	*	6/2008	Goodman	.....	D6/566
D582,190	S	*	12/2008	Valiulis	.....	D6/567
D617,591	S	*	6/2010	Snider	.....	D3/306
D690,108	S	*	9/2013	Goodman	.....	D3/306
8,561,816	B2	*	10/2013	Martin	.....	A47F 7/147 206/425
D697,310	S	*	1/2014	Snider	.....	D3/306
D785,333	S	*	5/2017	Goodman	.....	D3/307
D811,121	S	*	2/2018	Goodman	.....	D6/549
D812,396	S	*	3/2018	Wilson	.....	D6/566

\* cited by examiner

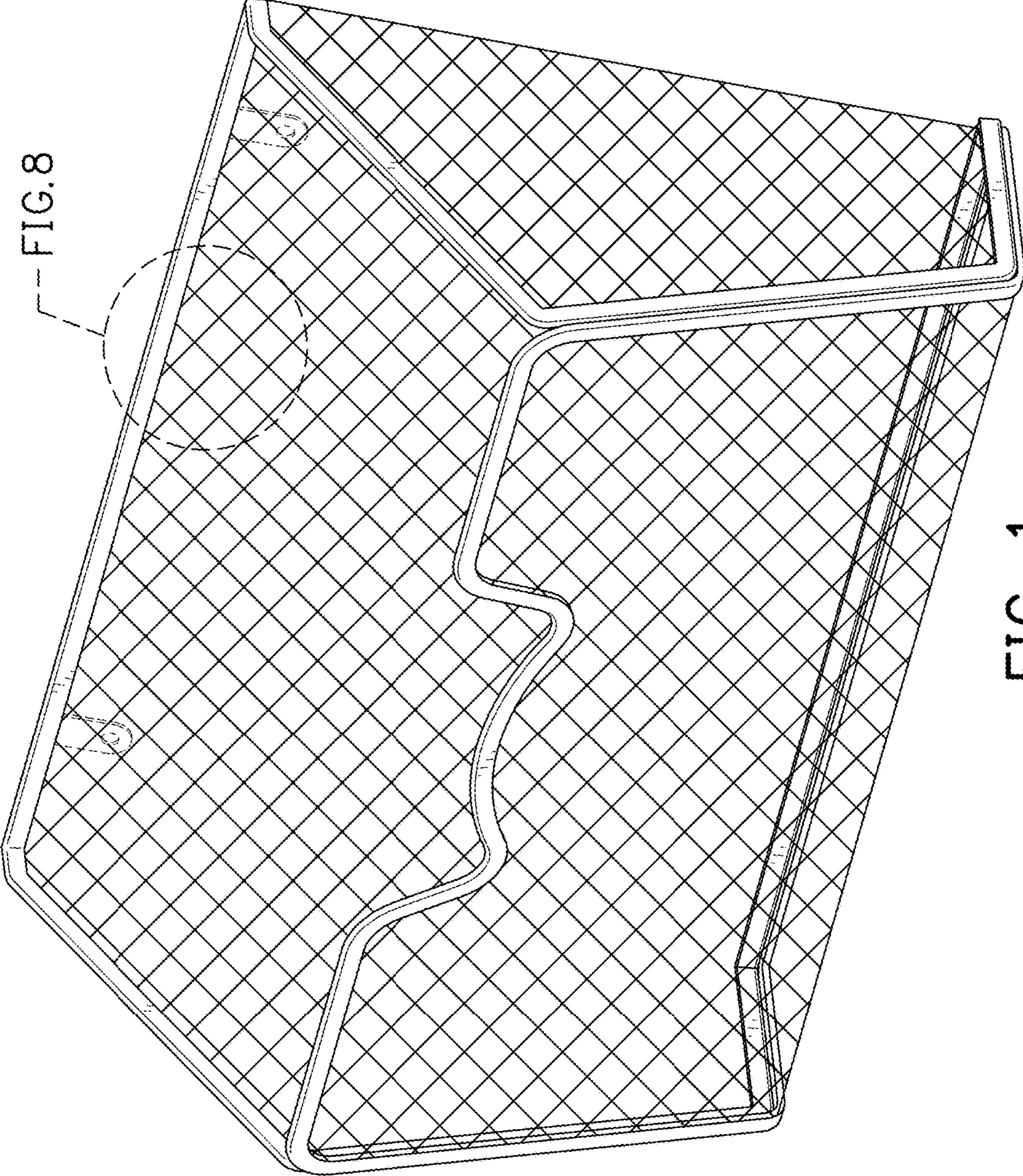


FIG. 1

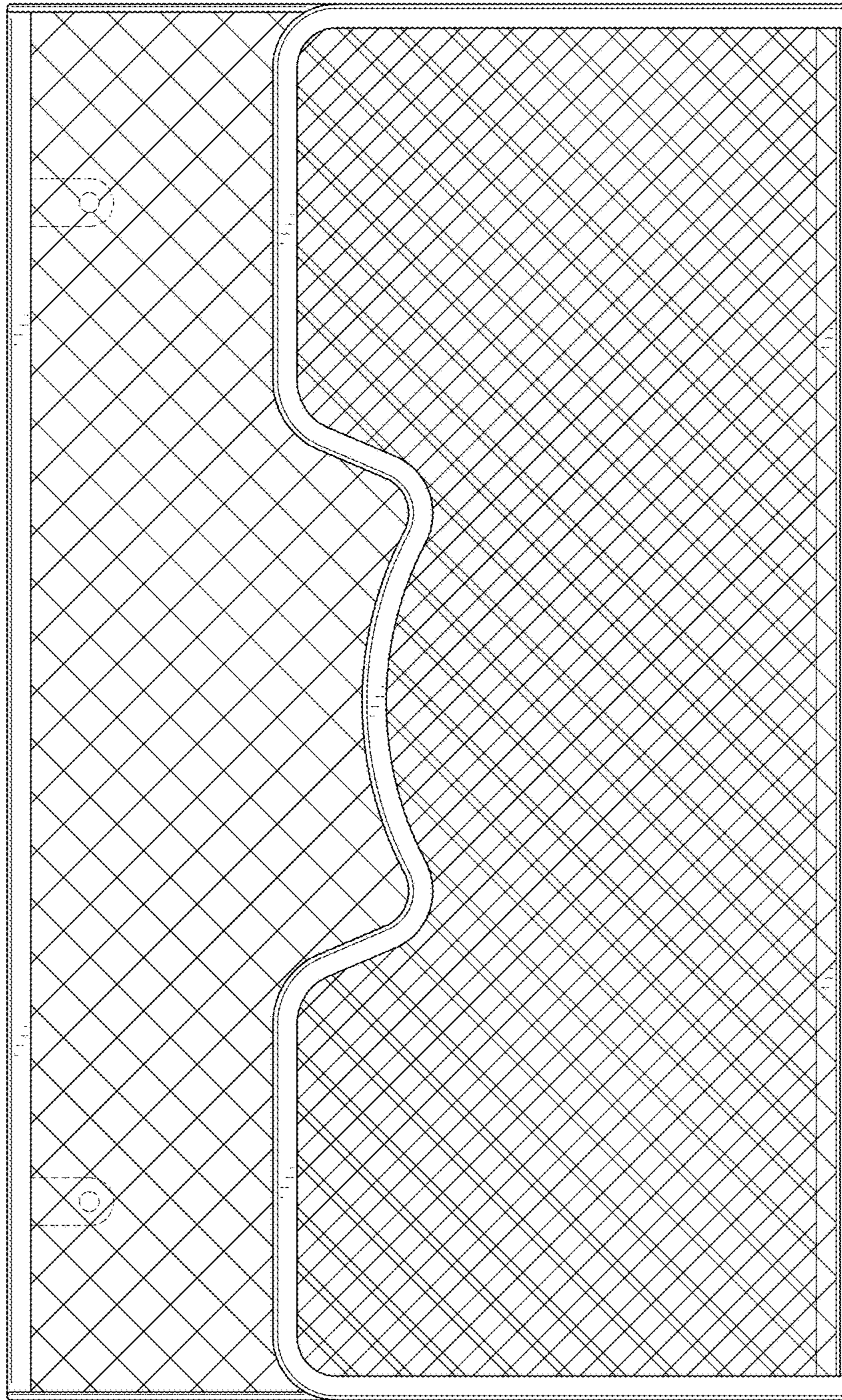


FIG. 2

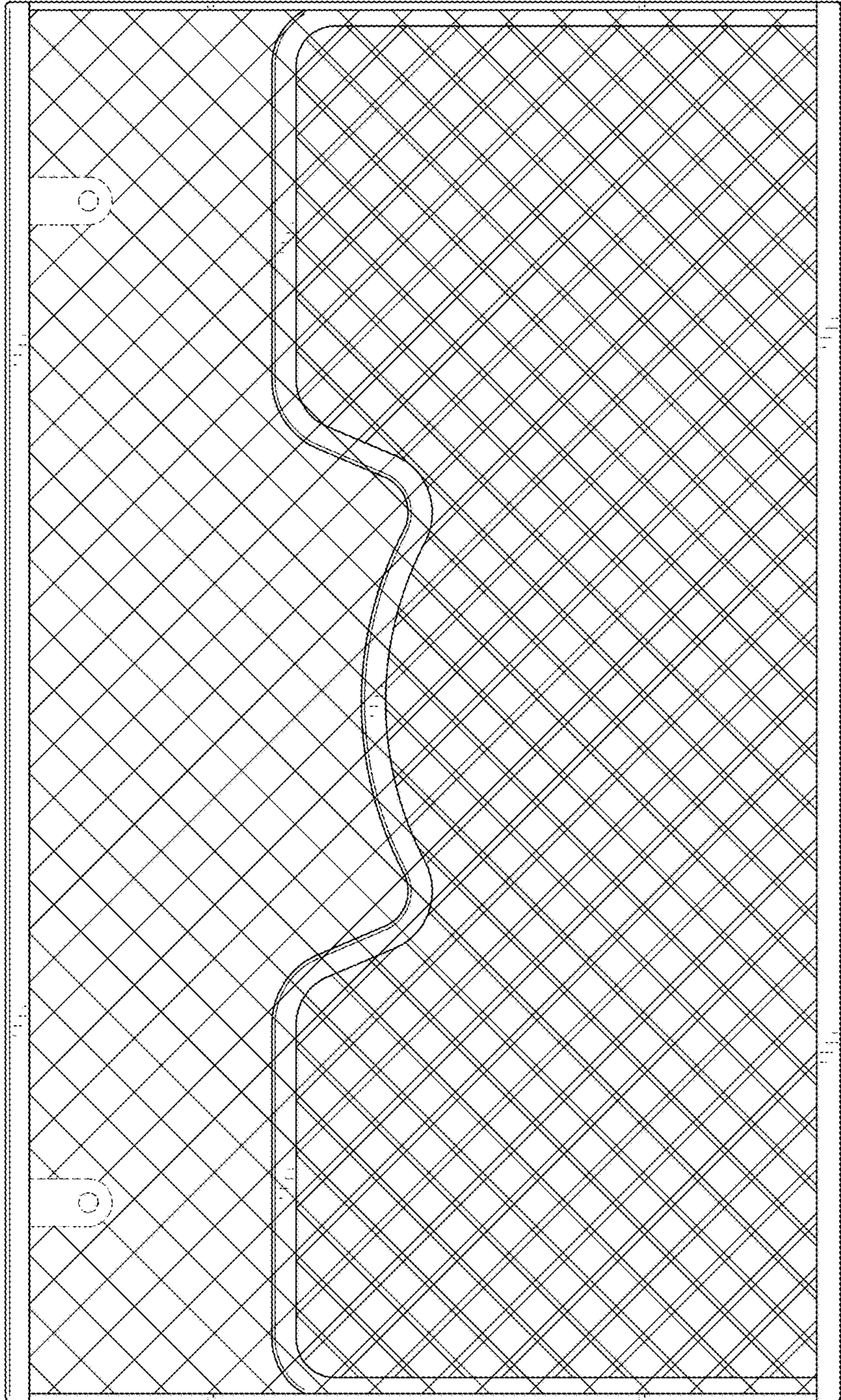


FIG. 3

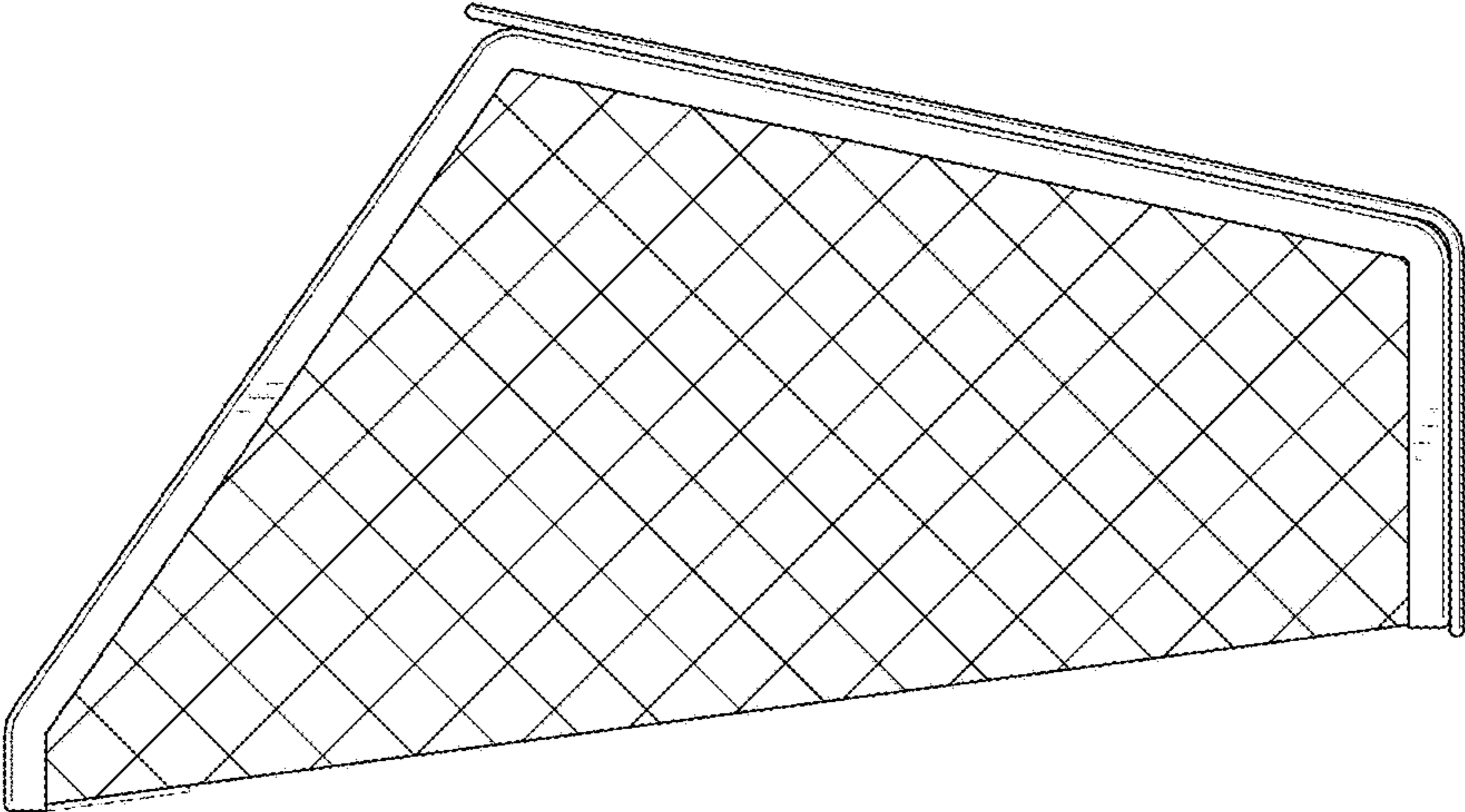


FIG. 4

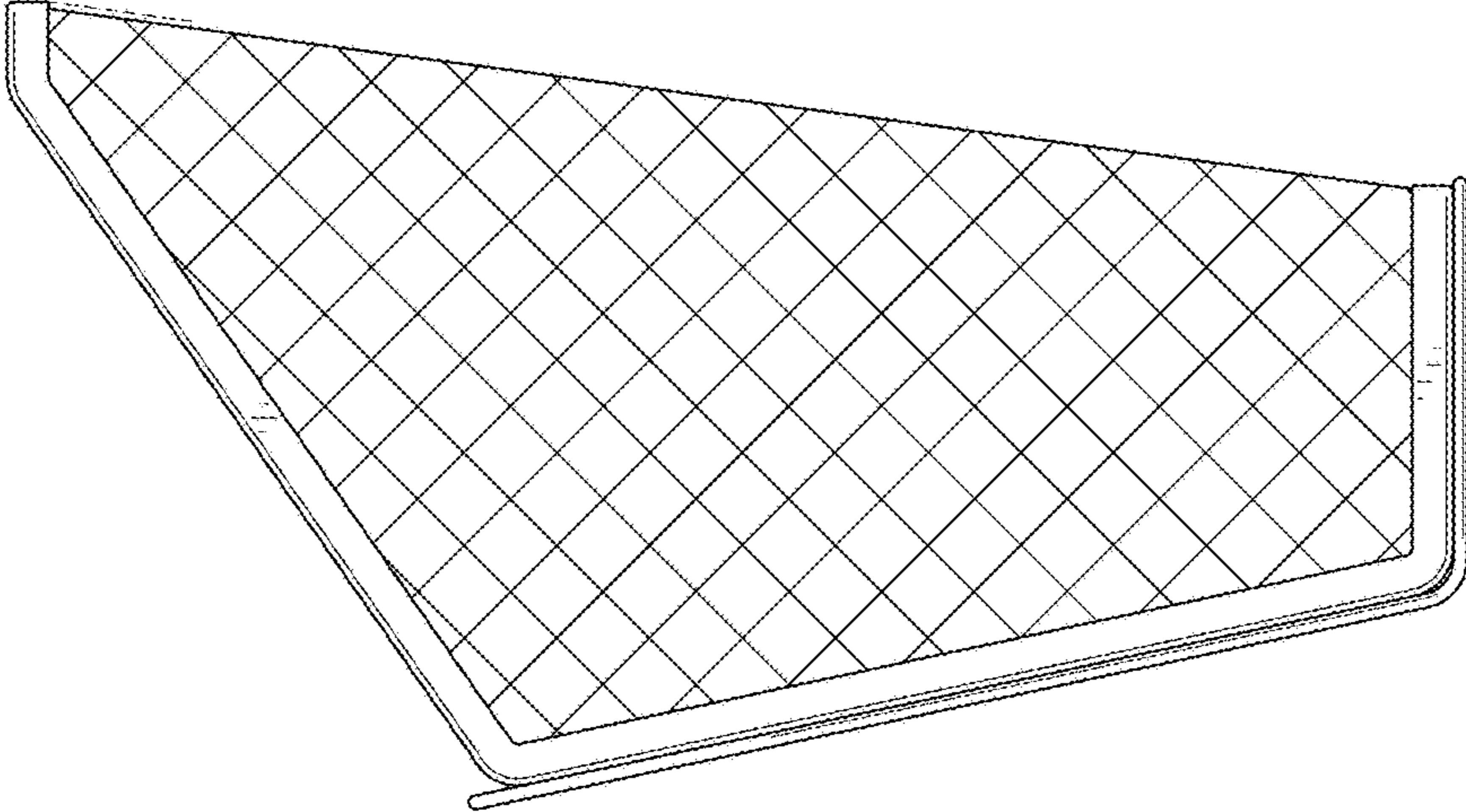


FIG. 5

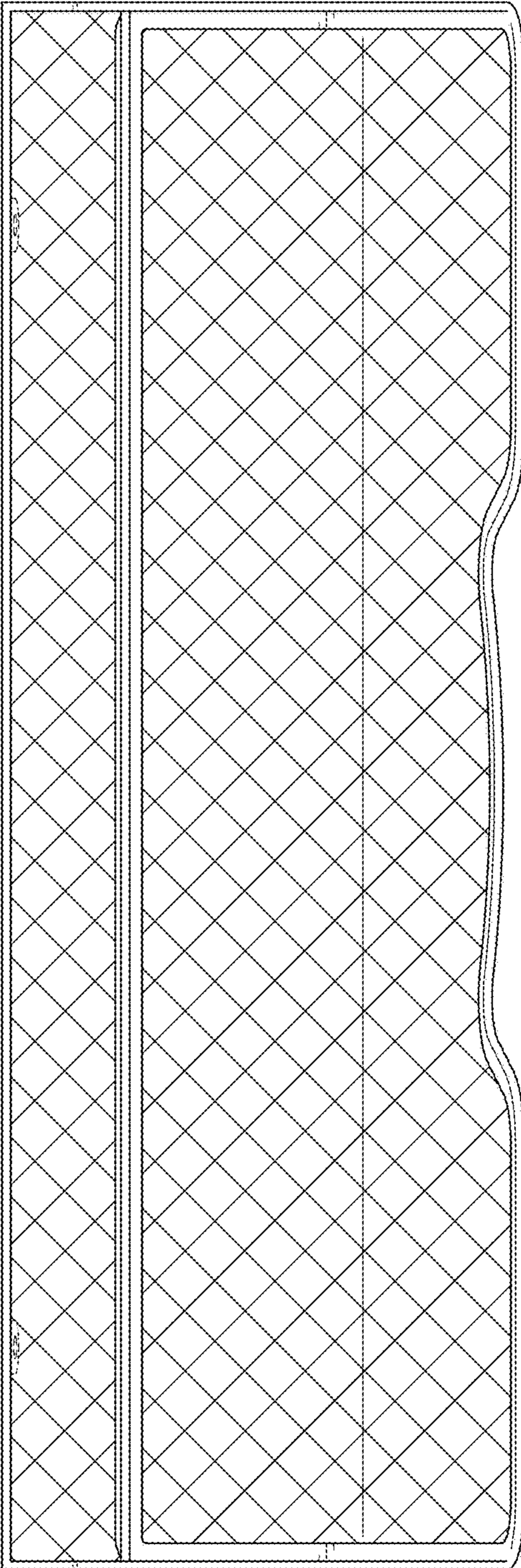


FIG. 6



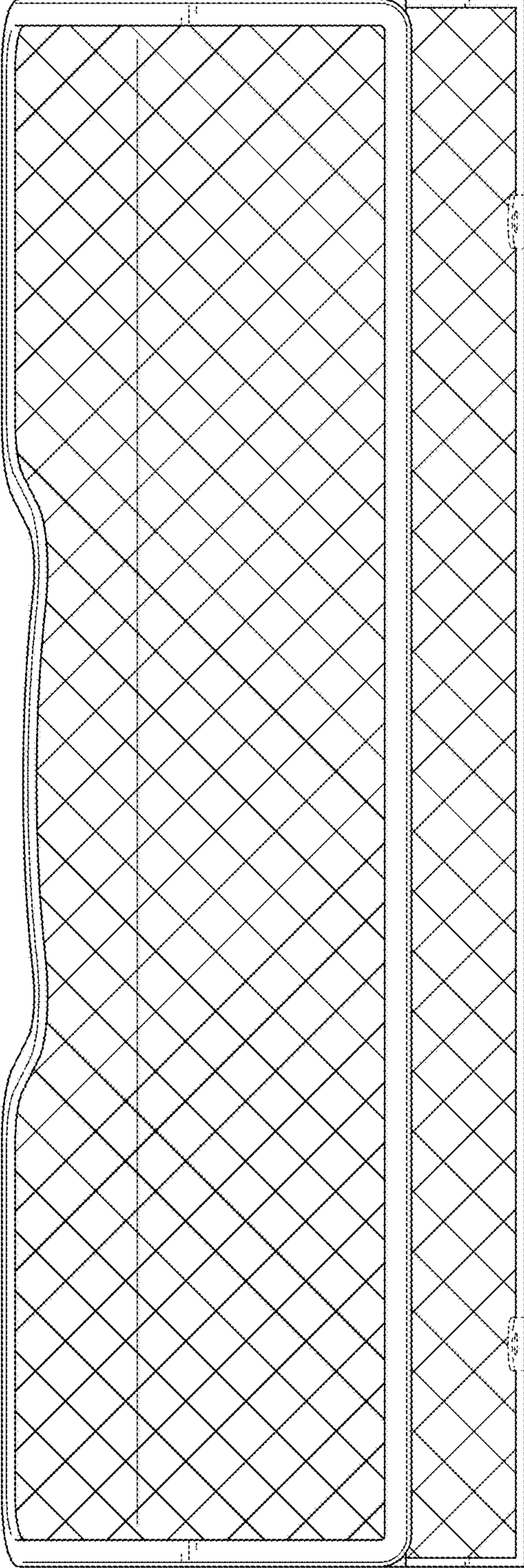


FIG. 7

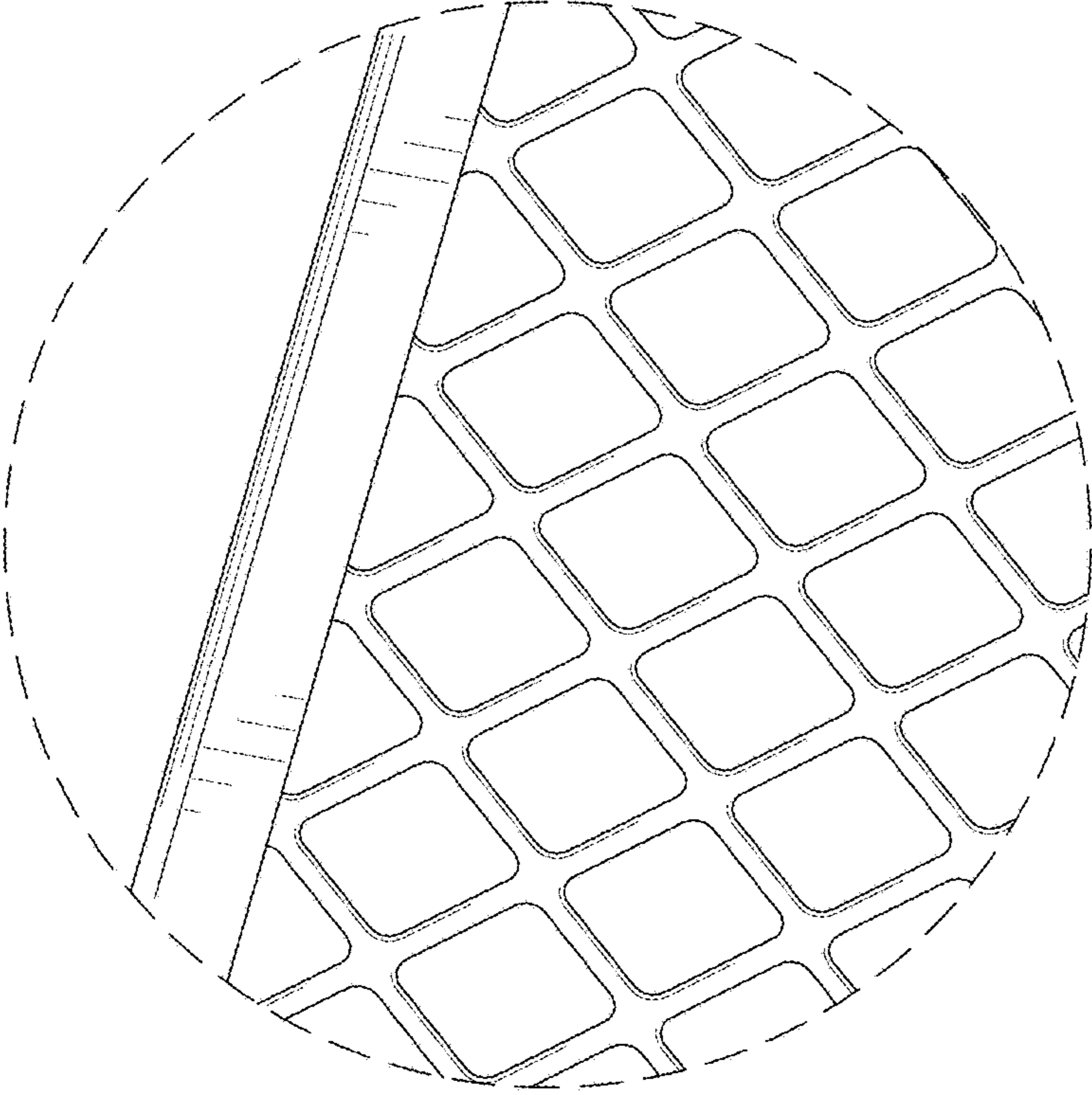


FIG. 8