



US00D833769S

(12) **United States Design Patent** (10) **Patent No.:** **US D833,769 S**
Slevin-Giesler (45) **Date of Patent:** **** Nov. 20, 2018**

- (54) **GALLERY DEVICE**
- (71) Applicant: **ABK Innovations LLC**, Galena, OH (US)
- (72) Inventor: **Kristi Slevin-Giesler**, Galena, OH (US)
- (73) Assignee: **ABK INNOVATIONS LLC**, Galena, OH (US)
- (**) Term: **15 Years**
- (21) Appl. No.: **29/606,927**
- (22) Filed: **Jun. 8, 2017**
- (51) **LOC (11) Cl.** **06-06**
- (52) **U.S. Cl.**
USPC **D6/514**
- (58) **Field of Classification Search**
USPC D6/514, 512-513, 315, 320, 546, 548, D6/549, 570, 574, 553, 566; D15/89; 211/16, 34-39, 13.1, 85.2, 85.3, 85.29, 211/85.31, 86.01, 87.01, 88.04, 113, 119, 211/123, 182
CPC ... A47L 15/507; B05B 13/0285; F16B 12/34; F24C 15/023; E05D 15/502
See application file for complete search history.

(56) **References Cited**

U.S. PATENT DOCUMENTS

D320,502 S	*	10/1991	Haines	D3/293
D354,412 S	*	1/1995	Emery	D6/514
D471,389 S	*	3/2003	Kollner	D6/513
D471,745 S	*	3/2003	Kollner	D6/513
D761,588 S	*	7/2016	Cohen	D6/553
D768,404 S	*	10/2016	Klein	D6/514

* cited by examiner

Primary Examiner — Wan Laymon
Assistant Examiner — Mark Booker
(74) *Attorney, Agent, or Firm* — Tucker Ellis LLP; Carlos Garritano

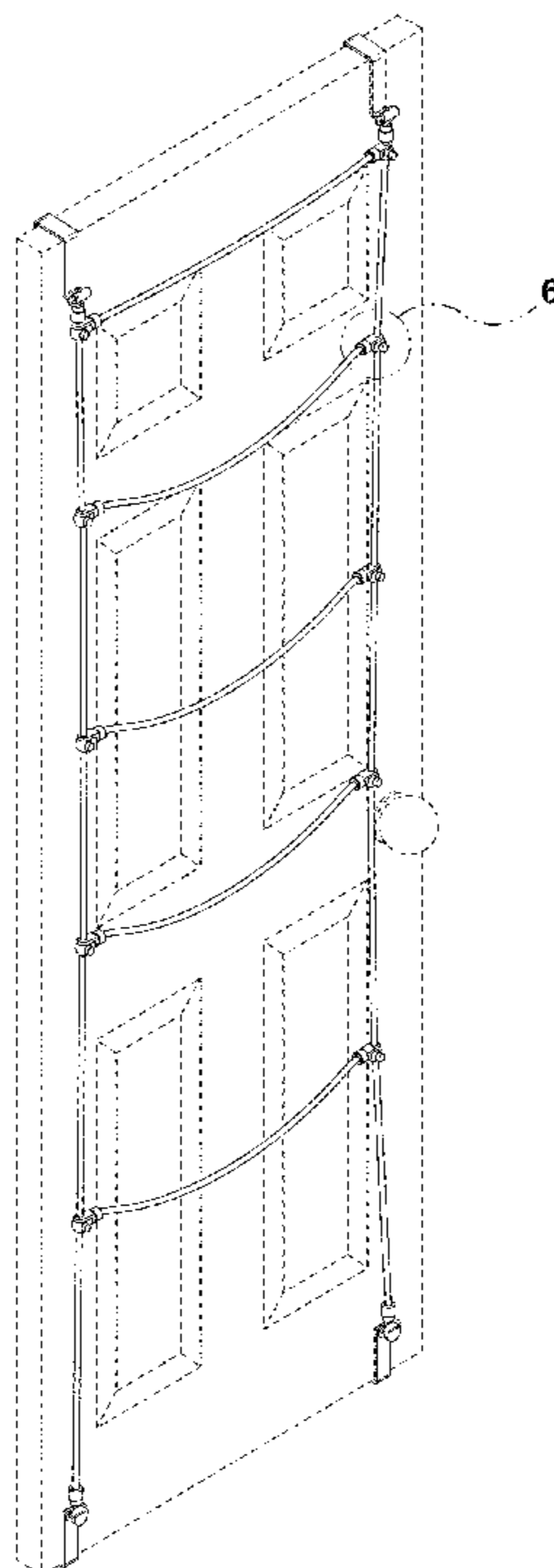
(57) **CLAIM**

The ornamental design for a gallery device, as shown and described.

DESCRIPTION

FIG. 1 is a perspective view of a gallery device showing my new design;
 FIG. 2 is front view of the gallery device illustrated in FIG. 1;
 FIG. 3 is an exploded left side view of the gallery device illustrated in FIG. 1, the right side view being a mirror image thereof;
 FIG. 4 is a top view of the gallery device illustrated in FIG. 1;
 FIG. 5 is an enlarged detail view of the hook assembly used with the gallery device circumscribed by broken lines within FIG. 2;
 FIG. 6 is an enlarged detail view of the rung connection assembly used with the gallery device circumscribed by broken lines within FIG. 1; and,
 FIG. 7 is an enlarged detail view of the rung connection assembly used with the gallery device circumscribed by broken lines within FIG. 2.
 The broken lines in the drawings depict environmental structures that form no part of the claimed design.
 The broken lines indicating the area of the detail in FIGS. 1, 2, and 5-7 form no part of the claimed design.

1 Claim, 6 Drawing Sheets



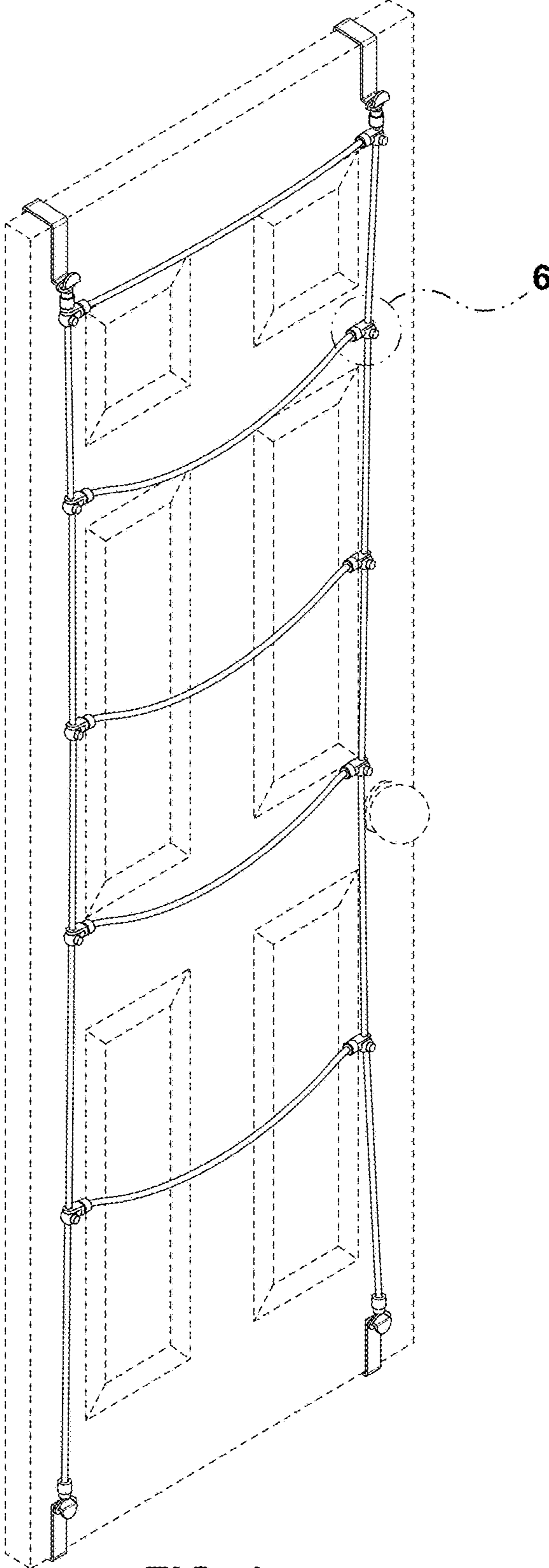


FIG. 1

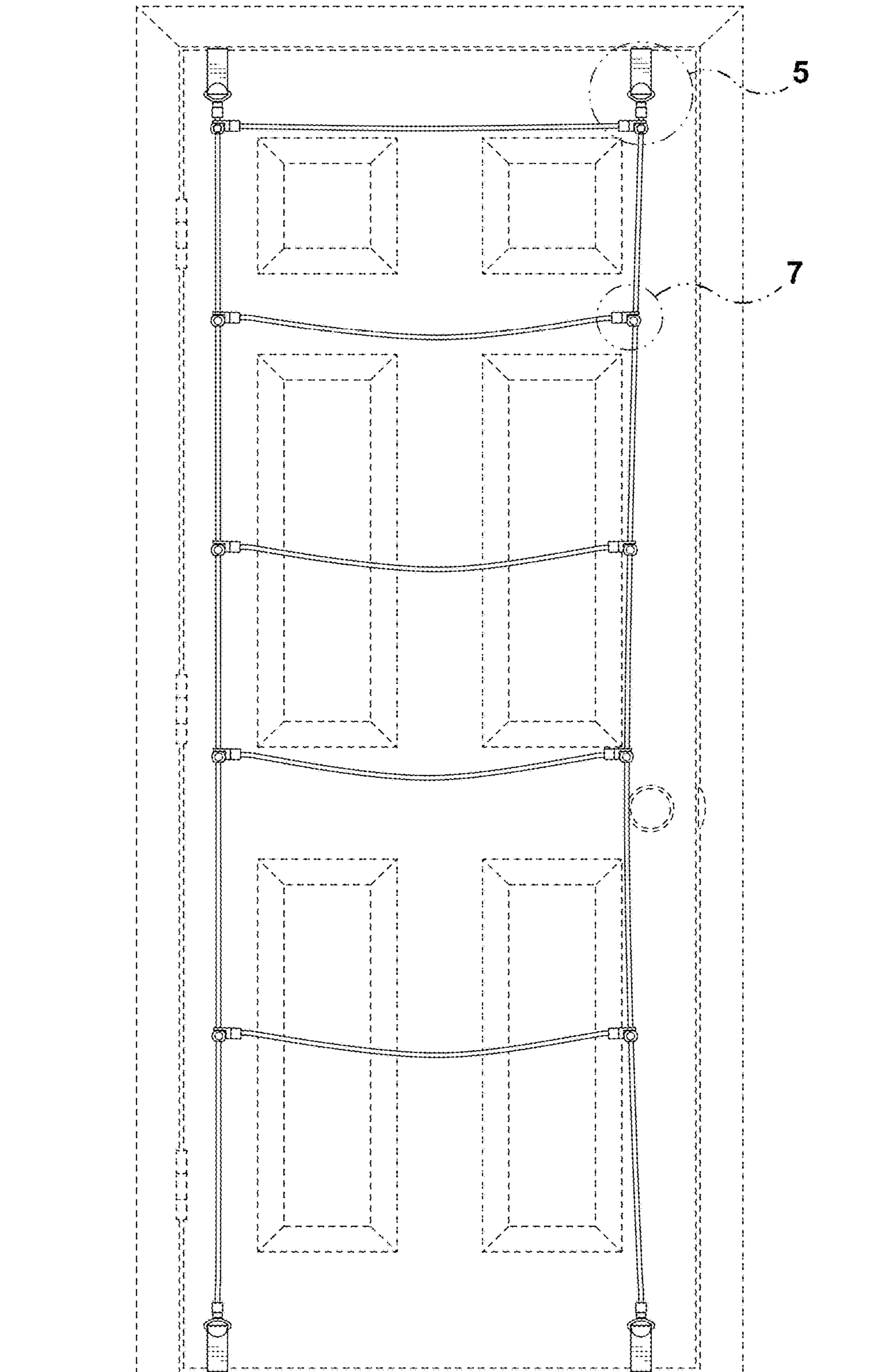


FIG. 2

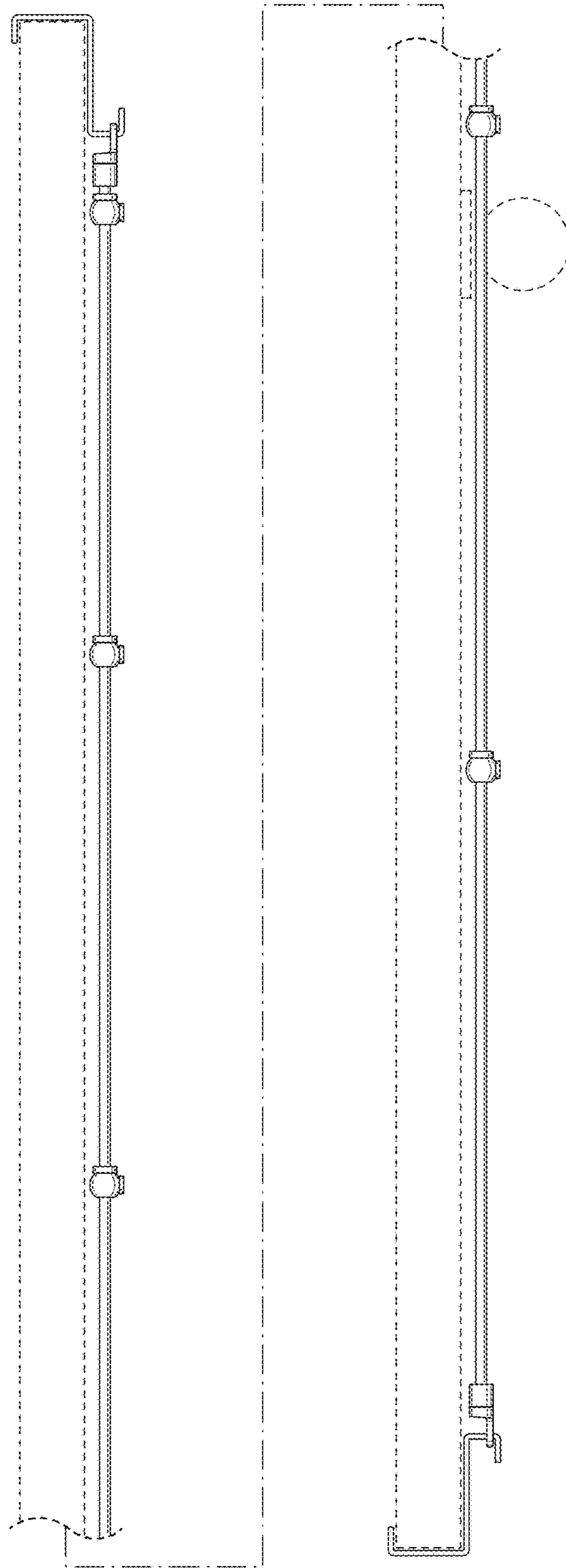


FIG. 3

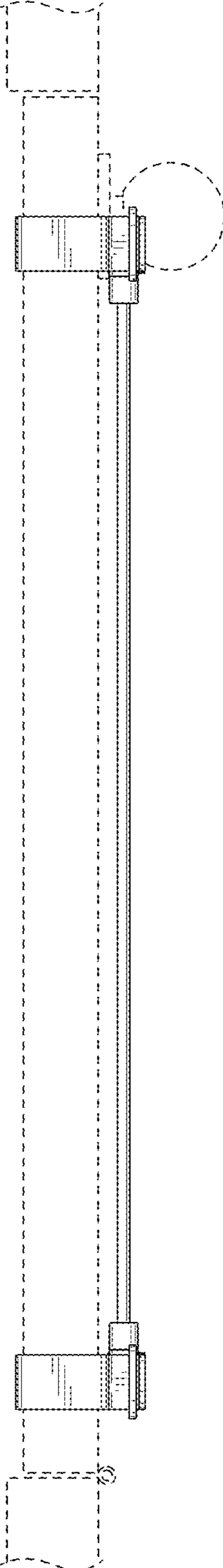


FIG. 4

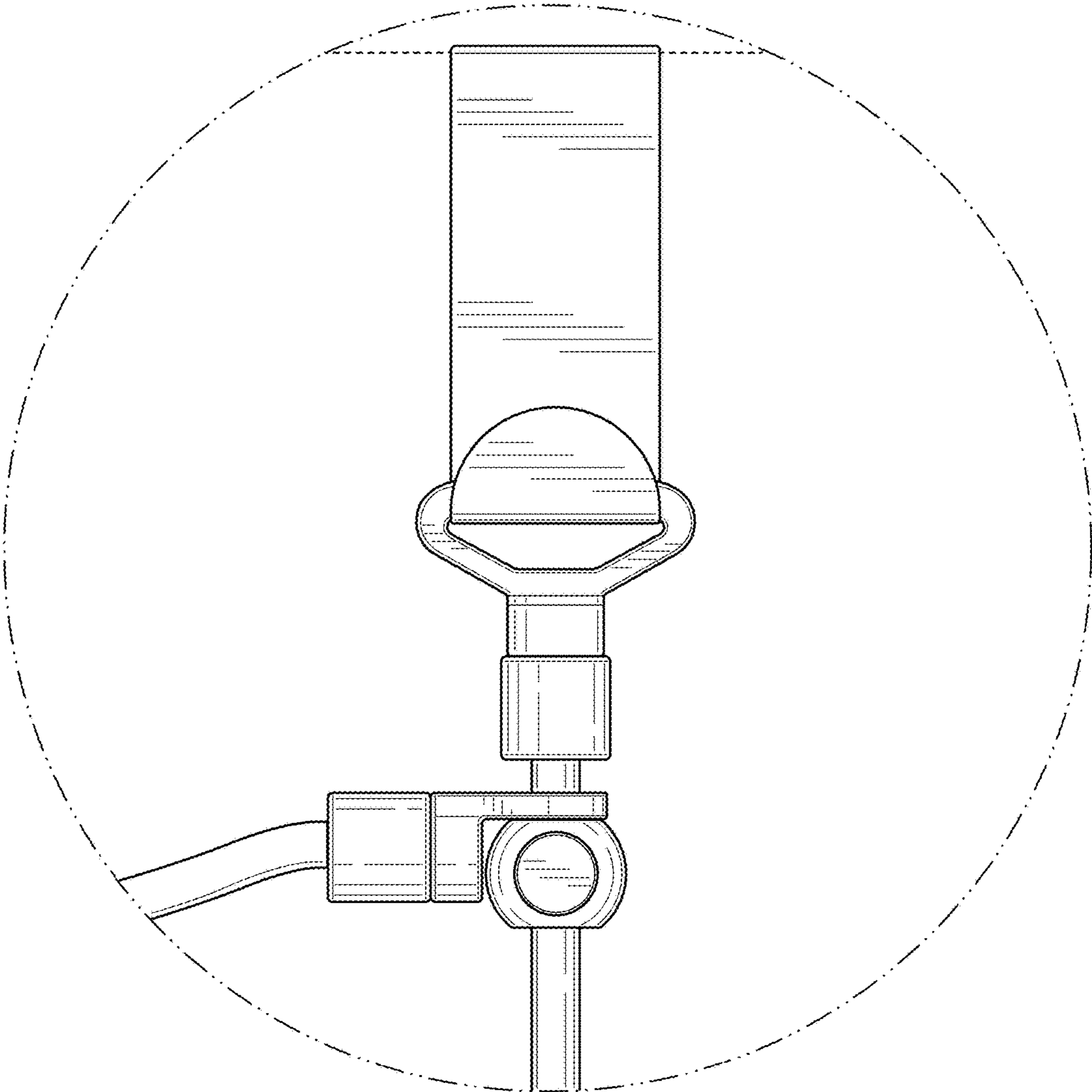


FIG. 5

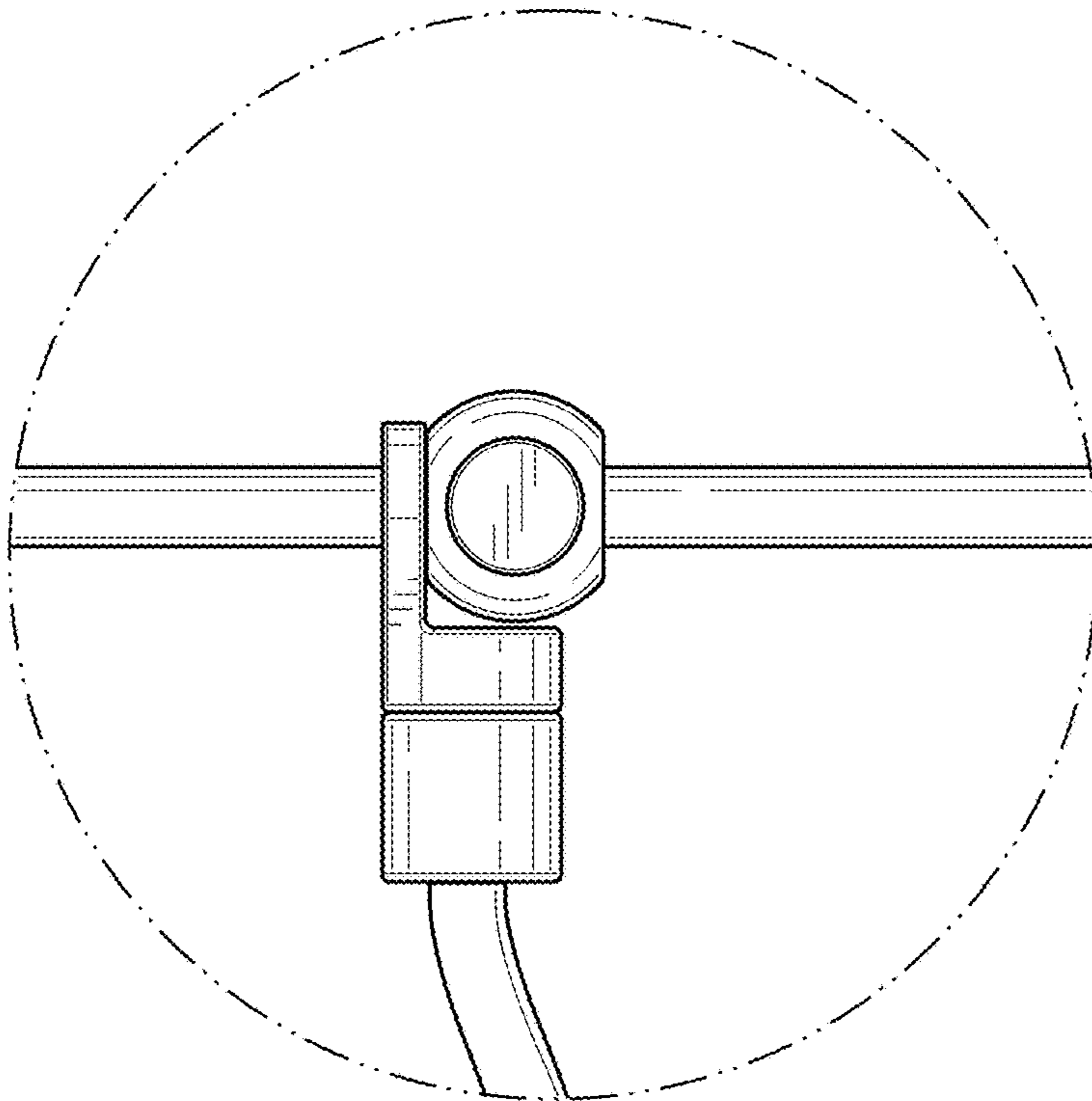


FIG. 7

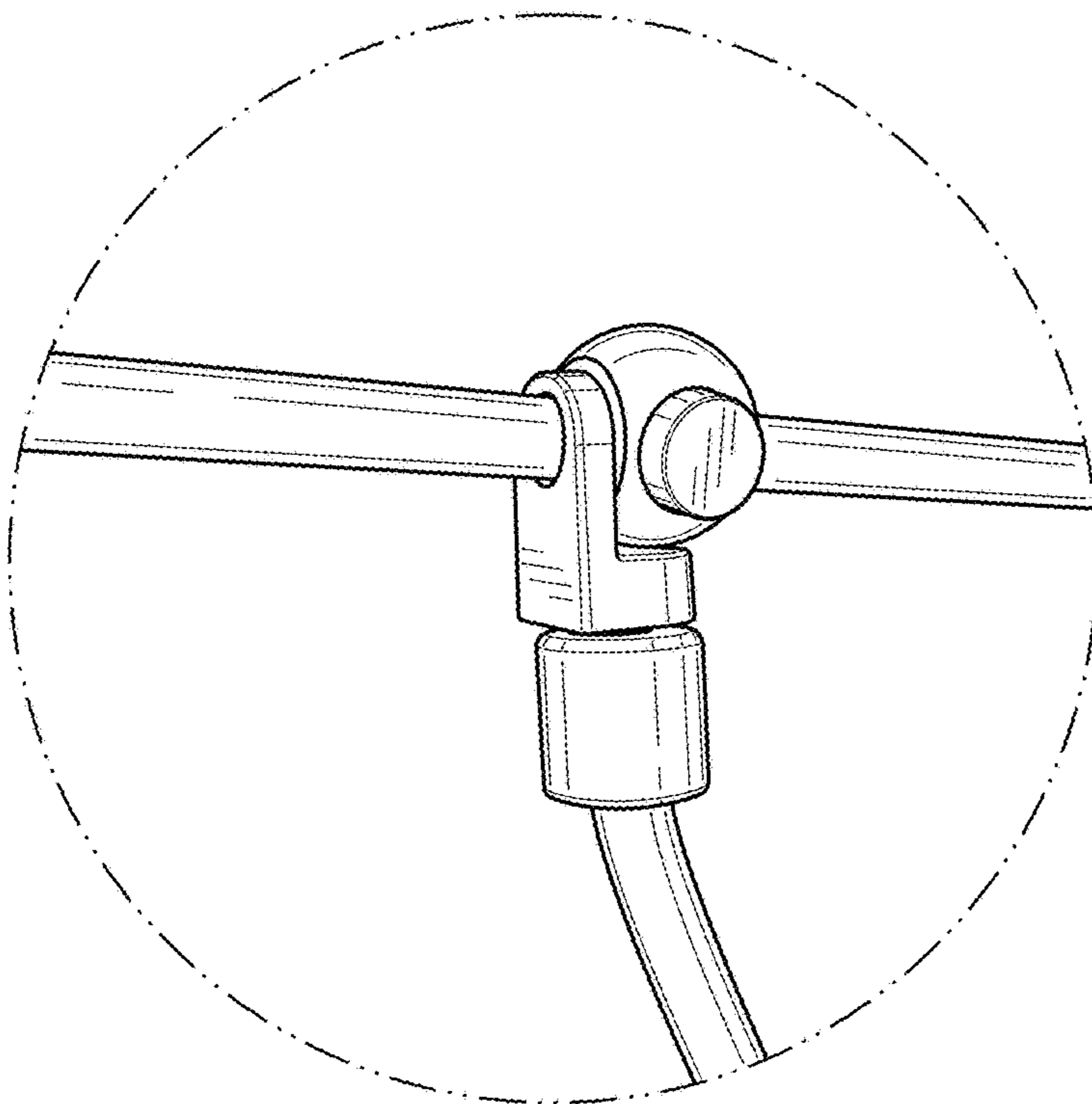


FIG. 6