



US00D833768S

(12) **United States Design Patent**
Jin

(10) **Patent No.:** **US D833,768 S**

(45) **Date of Patent:** **** Nov. 20, 2018**

(54) **FOLDING CHAIR**

(71) Applicant: **Xingfang Jin**, Ningbo (CN)

(72) Inventor: **Xingfang Jin**, Ningbo (CN)

(**) Term: **15 Years**

(21) Appl. No.: **29/614,223**

(22) Filed: **Aug. 17, 2017**

(51) **LOC (11) Cl.** **06-01**

(52) **U.S. Cl.**
USPC **D6/368**

(58) **Field of Classification Search**
USPC D6/334-336, 368, 371, 372, 373, 374,
D6/375, 379, 716, 716.1, 716.2, 716.3,
D6/716.4, 708.16
CPC .. A47C 4/02; A47C 4/021; A47C 4/28; A47C
4/286; A47C 4/30; A47C 4/42; A47C
4/48; A47C 5/04; A47C 5/06; A47C 5/10
See application file for complete search history.

(56) **References Cited**

U.S. PATENT DOCUMENTS

D191,786 S * 11/1961 Kaltsas D6/372
D244,975 S * 7/1977 Steinberger D6/368
D499,258 S * 12/2004 Tseng D6/368

D528,317 S * 9/2006 Tseng D6/368
D533,369 S * 12/2006 Andersson D6/368
8,899,686 B1 * 12/2014 Kim A47C 4/286
297/16.1
9,326,612 B2 * 5/2016 Kim A47C 4/30
D771,986 S * 11/2016 Lee D6/708.16
9,782,006 B2 * 10/2017 Arruda A47C 4/021
D815,448 S * 4/2018 Jin D6/368
2016/0113402 A1 * 4/2016 Lee A47C 4/42
297/16.2

* cited by examiner

Primary Examiner — Mimosa De

(57) **CLAIM**

The ornamental design for folding chair, as shown and described.

DESCRIPTION

FIG. 1 is a perspective view of folding chair showing my new design;
FIG. 2 is a front elevational view thereof;
FIG. 3 is a rear elevational view thereof;
FIG. 4 is a left side elevational view thereof;
FIG. 5 is a right side elevational view thereof;
FIG. 6 is a top plan view thereof; and,
FIG. 7 is a bottom plan view thereof.
The broken line depict environment that forms no part of the claimed design.

1 Claim, 7 Drawing Sheets

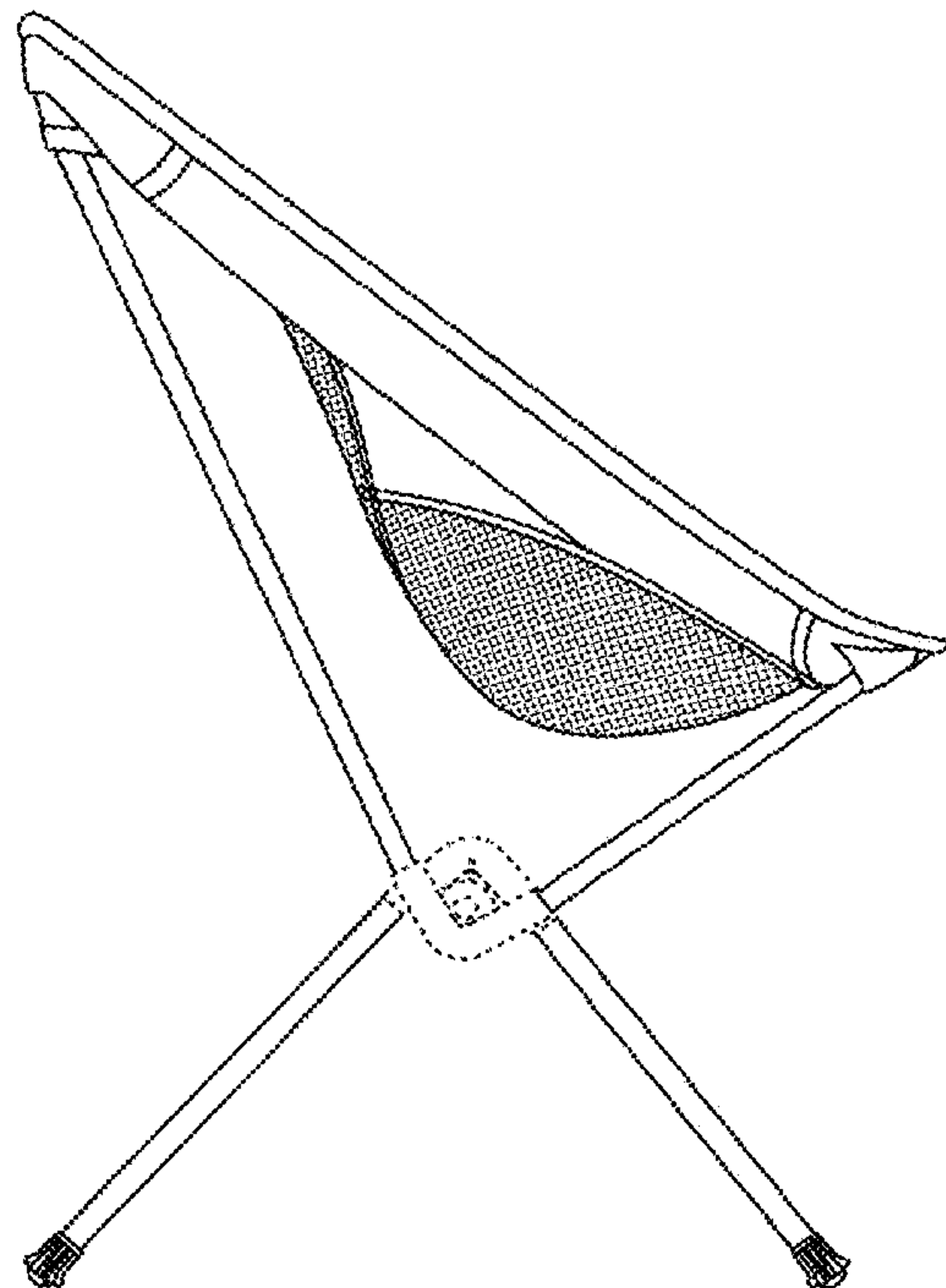




FIG. 1

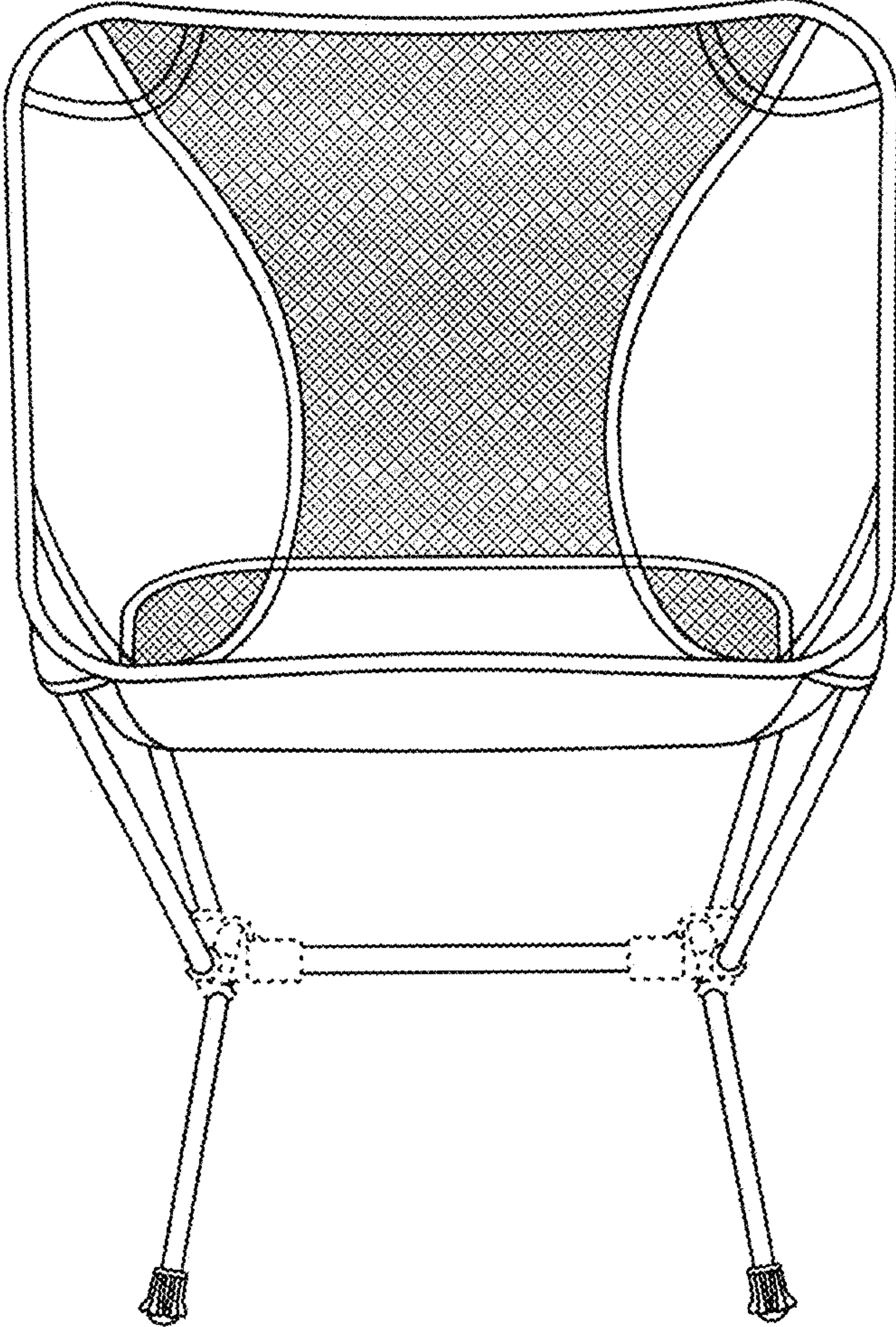


FIG. 2

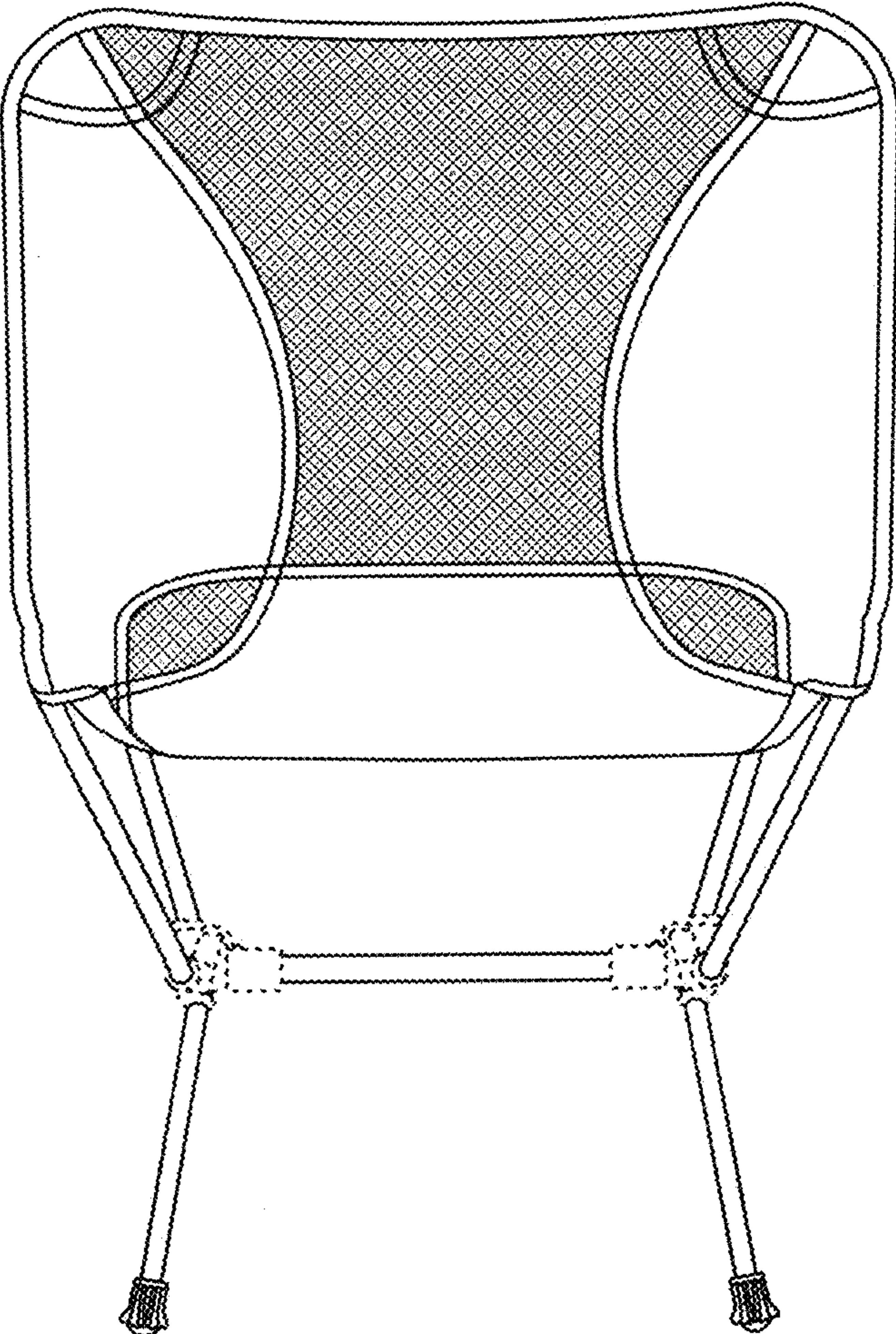


FIG.3

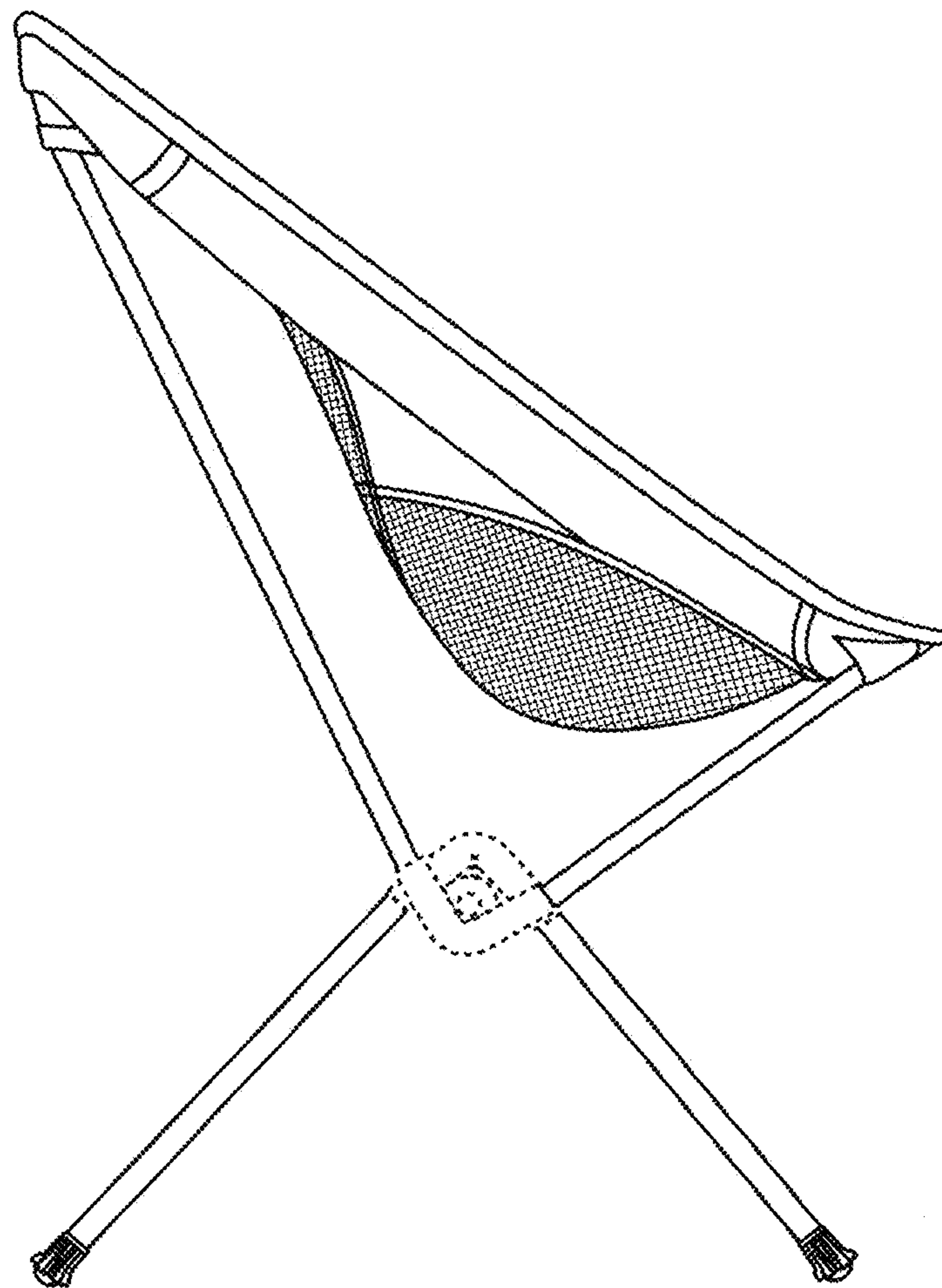


FIG.4

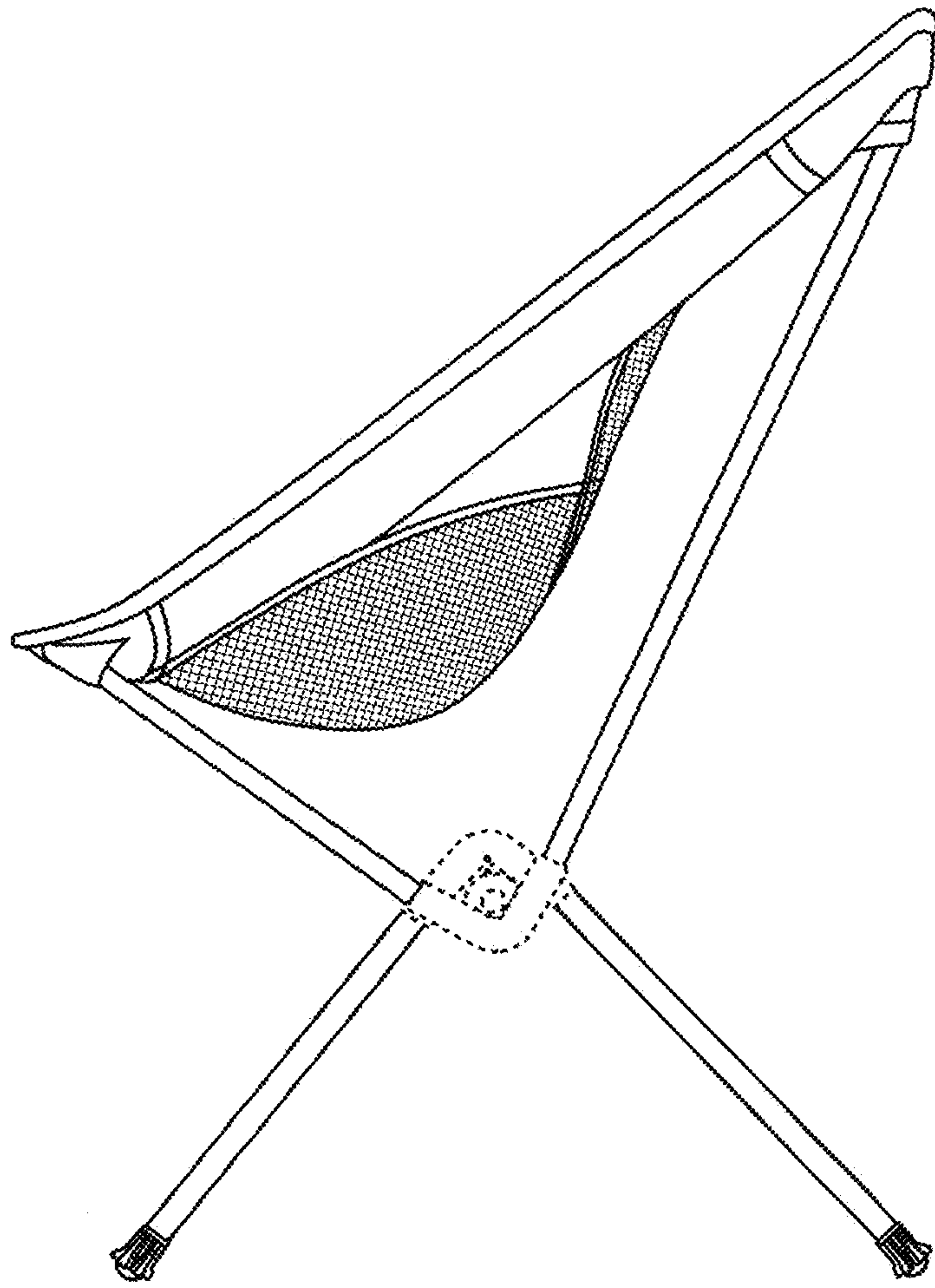


FIG.5

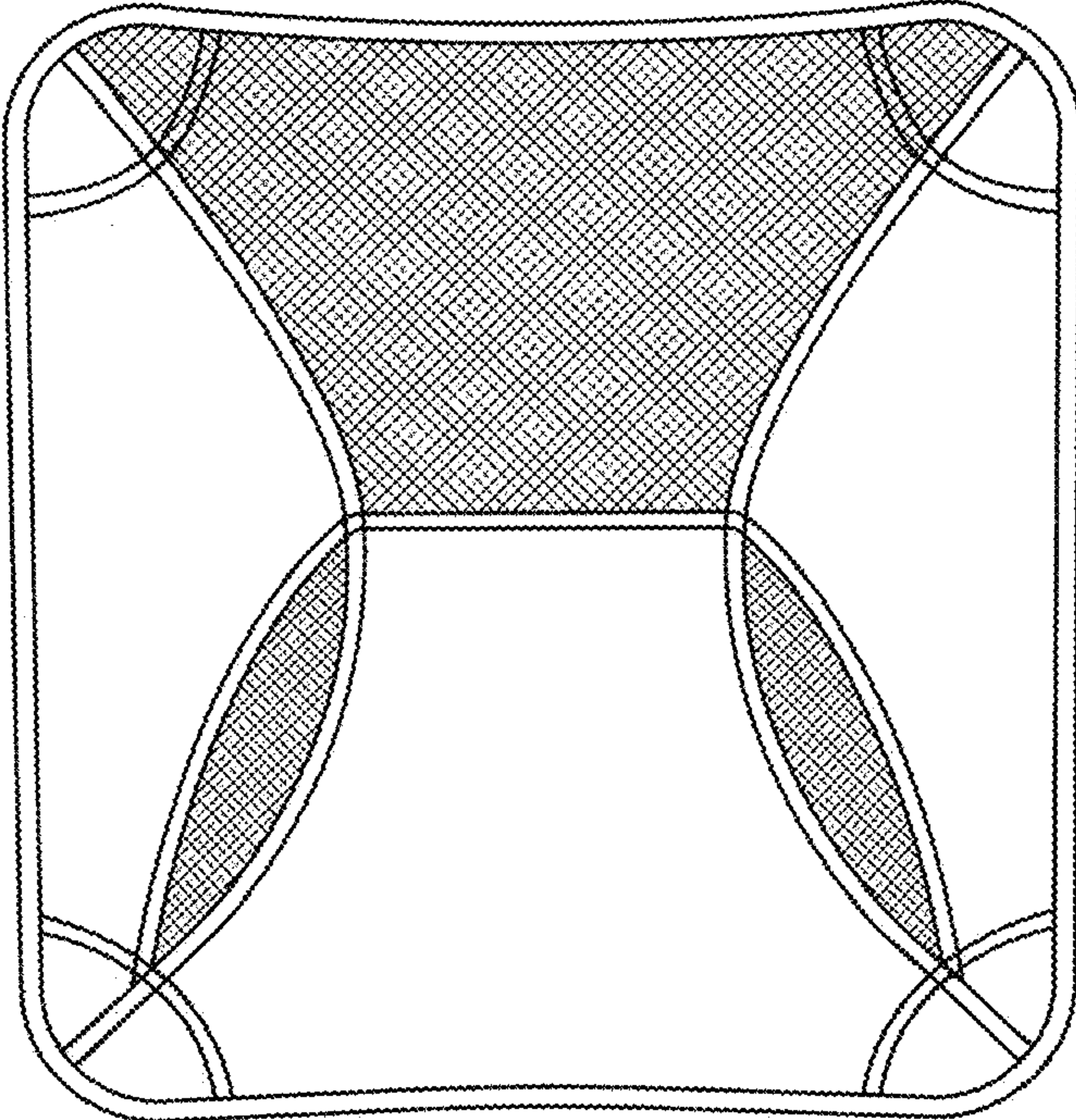


FIG.6

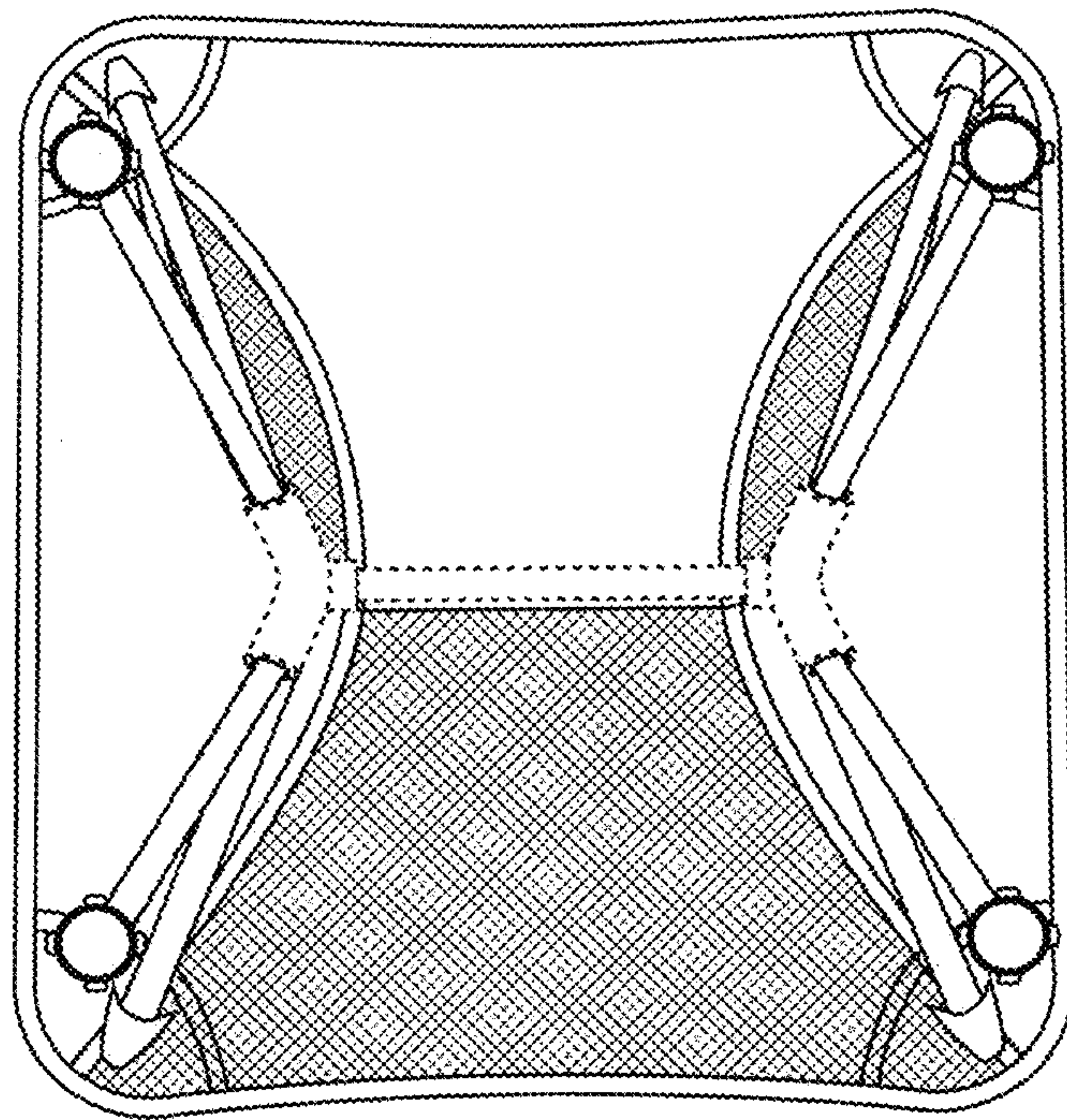


FIG. 7