



US00D833767S

(12) **United States Design Patent**
Wilkinson et al.

(10) **Patent No.:** **US D833,767 S**

(45) **Date of Patent:** **** Nov. 20, 2018**

(54) **CHAIR**

(71) Applicant: **FORMWAY FURNITURE LIMITED,**
Wellington (NZ)

(72) Inventors: **Paul Michael Wilkinson,** Wellington
(NZ); **Martyn Walter Goodwin**
Collings, Wellington (NZ); **Kent**
Wallace Parker, Lower Hutt (NZ)

(73) Assignee: **Formway Furniture Limited,**
Wellington (NZ)

(**) Term: **15 Years**

(21) Appl. No.: **29/566,678**

(22) Filed: **Jun. 1, 2016**

(51) **LOC (11) Cl.** **06-01**

(52) **U.S. Cl.**
USPC **D6/366**

(58) **Field of Classification Search**
USPC D6/334-336, 364, 365, 366, 374, 375,
D6/379, 380, 716, 716.1, 716.2, 716.4
CPC A47C 7/004; A47C 7/40; A47C 7/022;
A47C 7/282; A47C 7/18; A47C 7/24;
A47C 7/44

See application file for complete search history.

(56) **References Cited**

U.S. PATENT DOCUMENTS

D327,783 S 7/1992 Currimjee
D354,631 S 1/1995 Orlandini et al.
D377,431 S 1/1997 Stumpf et al.
D386,023 S 11/1997 Stumpf et al.

(Continued)

FOREIGN PATENT DOCUMENTS

CA 120541 7/2008

Primary Examiner — Mimos De

(74) *Attorney, Agent, or Firm* — Workman Nydegger

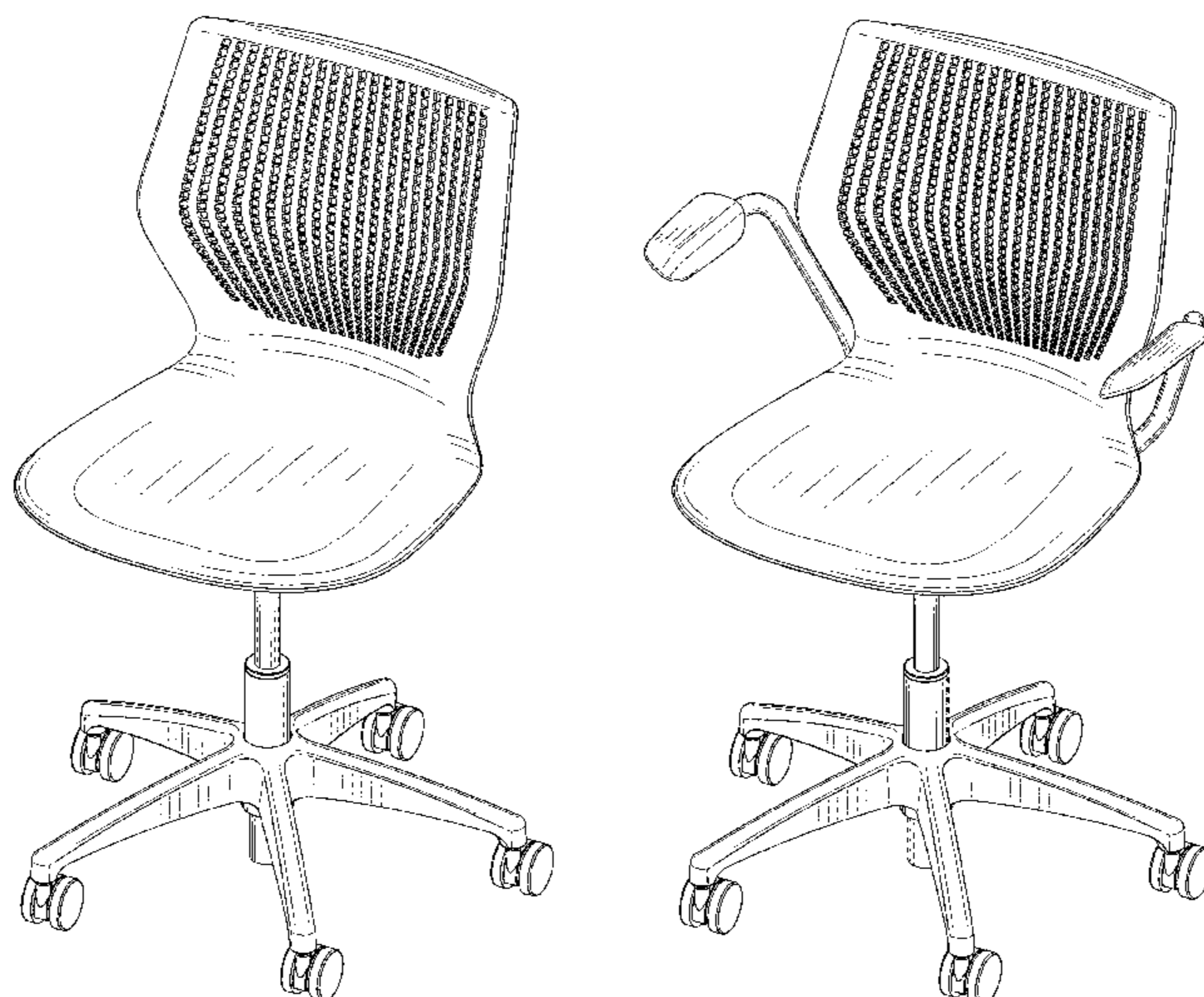
(57) **CLAIM**

The ornamental design for a chair, as shown and described.

DESCRIPTION

FIG. 1 is a left front overhead perspective view of a chair showing our new design;
FIG. 2 is a front elevational view thereof;
FIG. 3 is a rear elevational view thereof;
FIG. 4 is a left side elevational view thereof;
FIG. 5 is a right side elevational view thereof;
FIG. 6 is a top plan view thereof;
FIG. 7 is a bottom plan view thereof;
FIG. 8 is a front left underside perspective view thereof;
FIG. 9 is a rear left underside perspective view thereof;
FIG. 10 is a left front overhead perspective view of a second embodiment of the chair;
FIG. 11 is a front elevational view thereof;
FIG. 12 is a rear elevational view thereof;
FIG. 13 is a left side elevational view thereof;
FIG. 14 is a right side elevational view thereof;
FIG. 15 is a top plan view thereof;
FIG. 16 is a bottom plan view thereof;
FIG. 17 is a front left underside perspective view thereof;
FIG. 18 is a rear left underside perspective thereof;
FIG. 19 is a left front overhead perspective view of a third embodiment of the chair;
FIG. 20 is a front elevational view thereof;
FIG. 21 is a rear elevational view thereof;
FIG. 22 is a left side elevational view thereof;
FIG. 23 is a right side elevational view thereof;
FIG. 24 is a top plan view thereof;
FIG. 25 is a bottom plan view thereof;
FIG. 26 is a front left underside perspective view thereof;
and,
FIG. 27 is a rear left underside perspective view thereof.
The broken lines showing features of the design are for the purpose of illustration only and form no part of the claimed design.

1 Claim, 27 Drawing Sheets



(56)

References Cited

U.S. PATENT DOCUMENTS

D407,576 S 4/1999 Ritch et al.
 D420,523 S 2/2000 Stumpf et al.
 D422,802 S 4/2000 Deacon
 D453,079 S 1/2002 Ma
 D456,164 S 4/2002 Vanderiet et al.
 D457,739 S 5/2002 Pearce et al.
 D465,345 S 11/2002 Ma
 6,536,841 B1 3/2003 Pearce et al.
 6,623,079 B2 9/2003 Gregory
 6,729,691 B2 5/2004 Koepke et al.
 D493,626 S 8/2004 James
 D505,801 S 6/2005 Cesaroni et al.
 D507,423 S 7/2005 Beaulieu et al.
 D510,488 S 10/2005 Su
 D511,418 S 11/2005 Breen
 D512,574 S 12/2005 Tsai
 D528,811 S 9/2006 Giugiaro
 D544,720 S 6/2007 Berbegal Perez
 D549,018 S * 8/2007 Glass D6/375
 D555,924 S 11/2007 Igarashi
 D558,995 S 1/2008 Igarashi
 D559,572 S 1/2008 Igarashi
 D561,485 S 2/2008 Hock
 D564,768 S 3/2008 Glass et al.

D572,948 S 7/2008 Wakasugi et al.
 D582,170 S 12/2008 Chi
 D586,577 S 2/2009 Koh
 D587,915 S 3/2009 Igarashi
 D593,337 S 6/2009 Su
 D595,971 S 7/2009 Ueda
 D600,051 S * 9/2009 Parker D6/716.4
 D600,462 S * 9/2009 Ooki D6/366
 D600,936 S 9/2009 Koh
 D603,632 S 11/2009 Su
 D604,535 S 11/2009 Parker et al.
 D611,265 S 3/2010 Ko
 D613,084 S 4/2010 Wilkinson et al.
 D616,213 S 5/2010 Parker et al.
 D618,469 S 6/2010 Romero
 D627,983 S 11/2010 Wakasugi et al.
 D638,230 S 5/2011 Roy
 D638,232 S 5/2011 Roy
 D689,297 S * 9/2013 Su D6/376
 D755,533 S * 5/2016 Ballendat D6/366
 D782,839 S * 4/2017 Fukasawa D6/366
 D801,097 S * 10/2017 Grabowski D6/716
 D801,716 S * 11/2017 Fukasawa D6/366
 D808,677 S * 1/2018 Grabowski D6/375
 D815,868 S * 4/2018 Romero D6/716
 2006/0006715 A1 1/2006 Chadwick et al.
 2009/0127914 A1 5/2009 Igarashi et al.

* cited by examiner

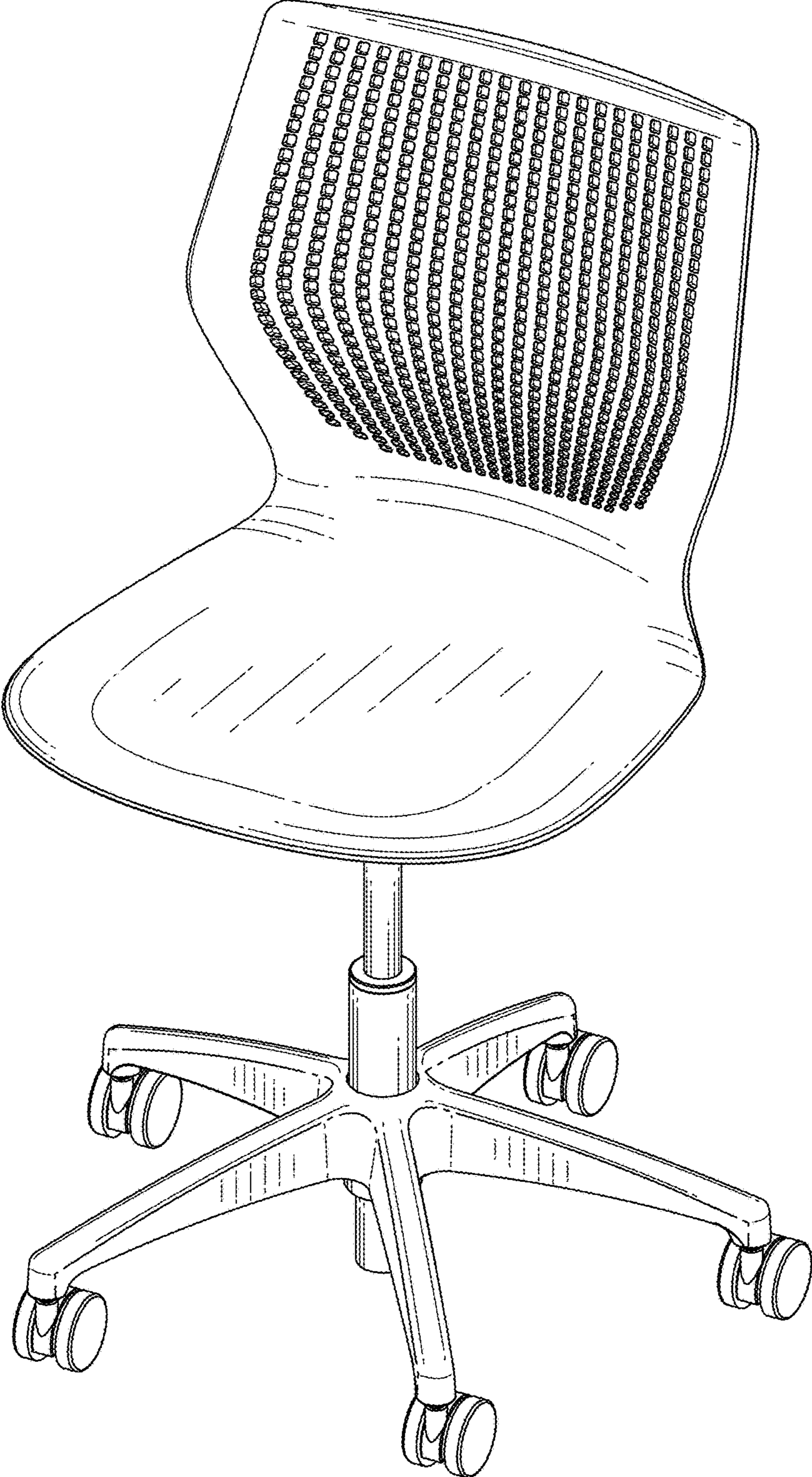


FIGURE 1



FIGURE 2



FIGURE 3



FIGURE 4



FIGURE 5

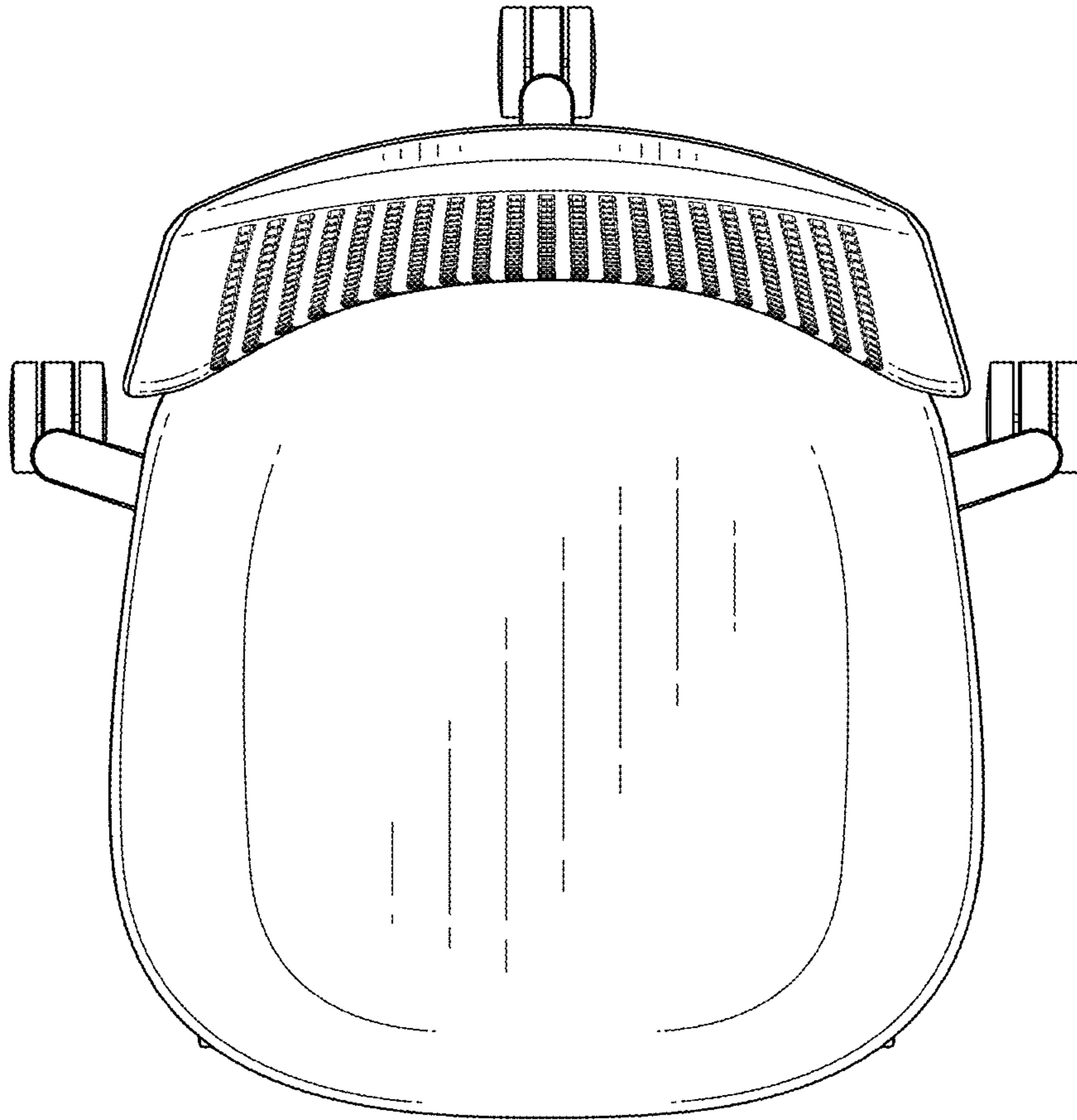


FIGURE 6

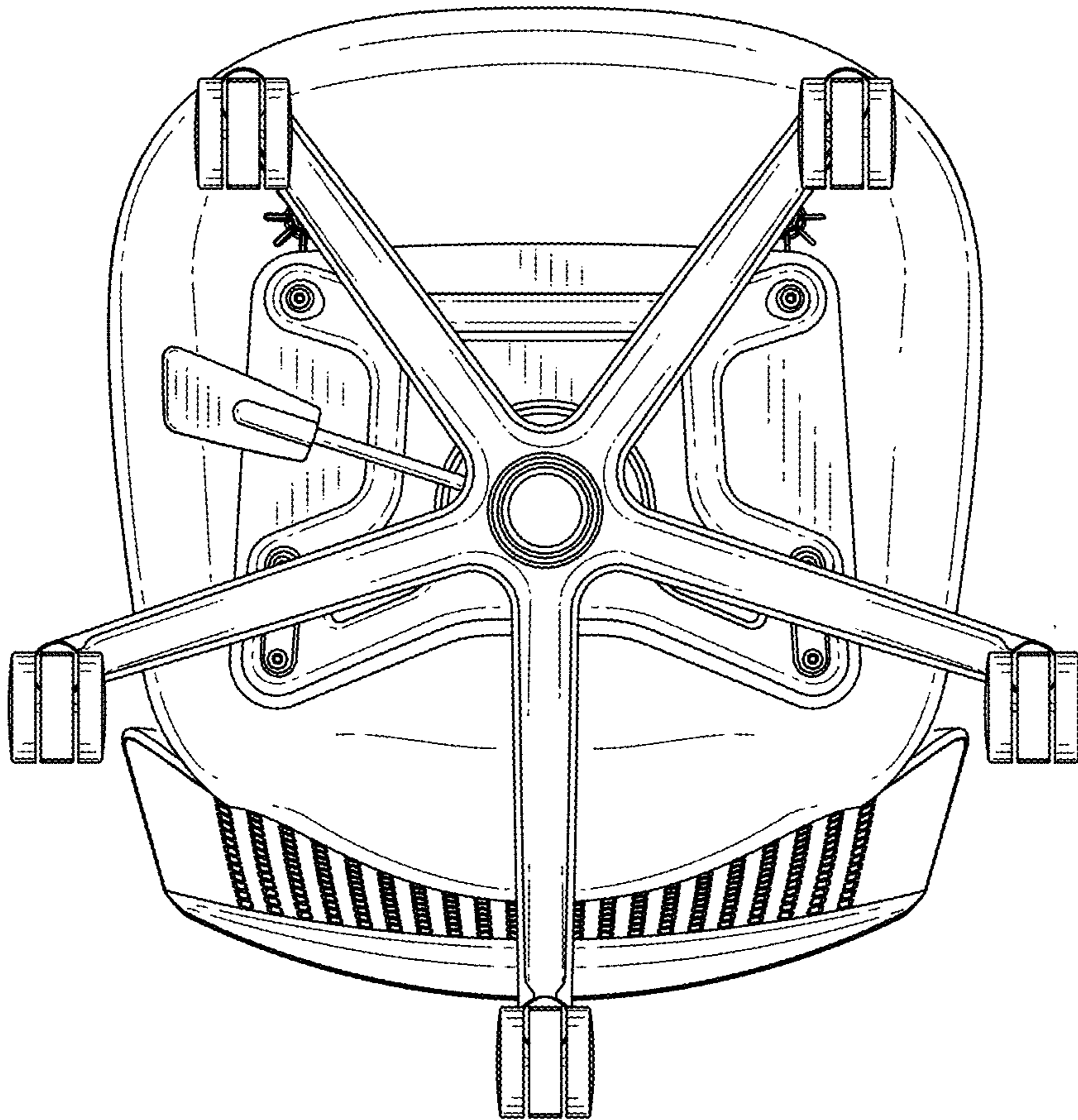


FIGURE 7

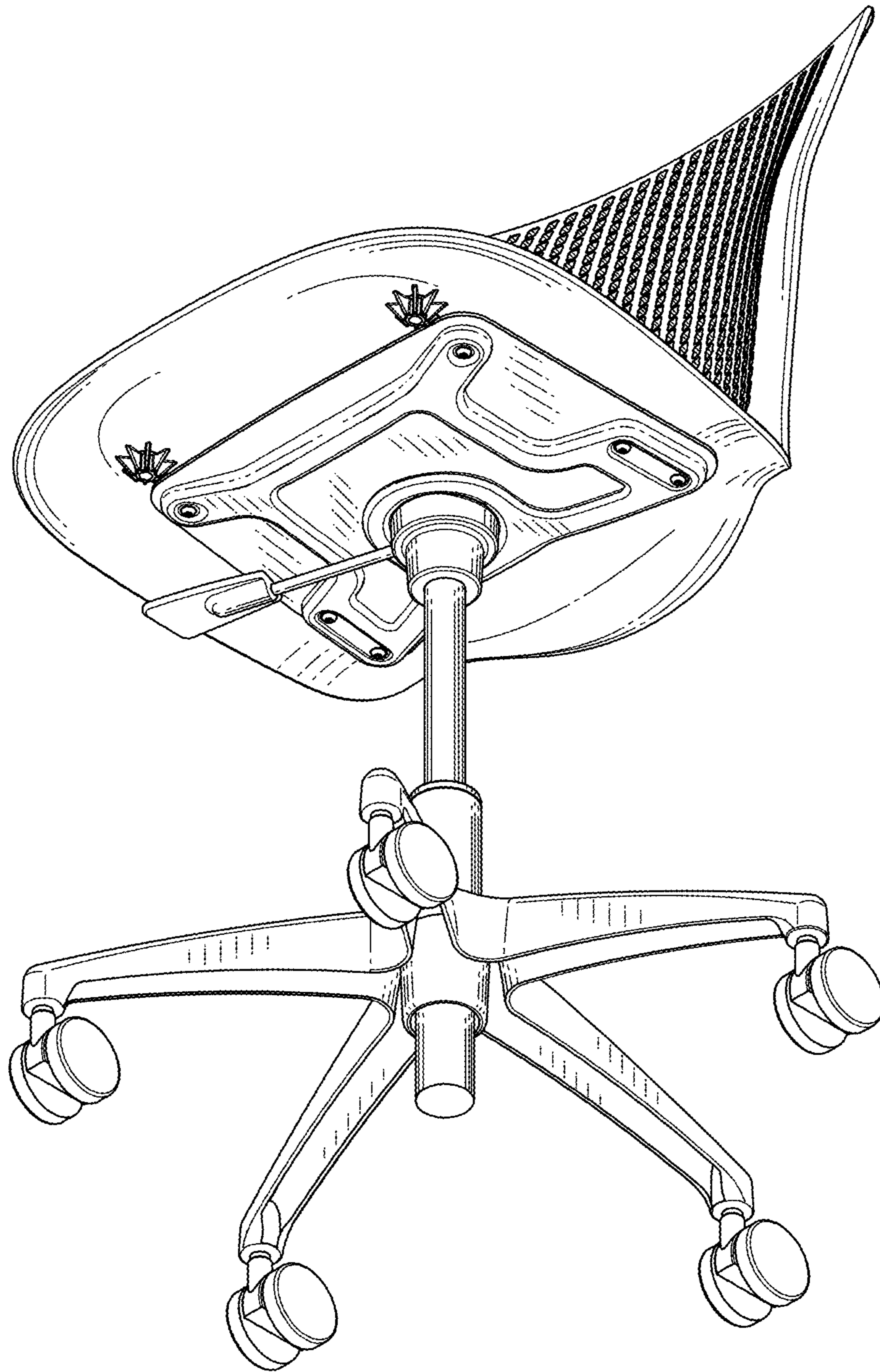


FIGURE 8

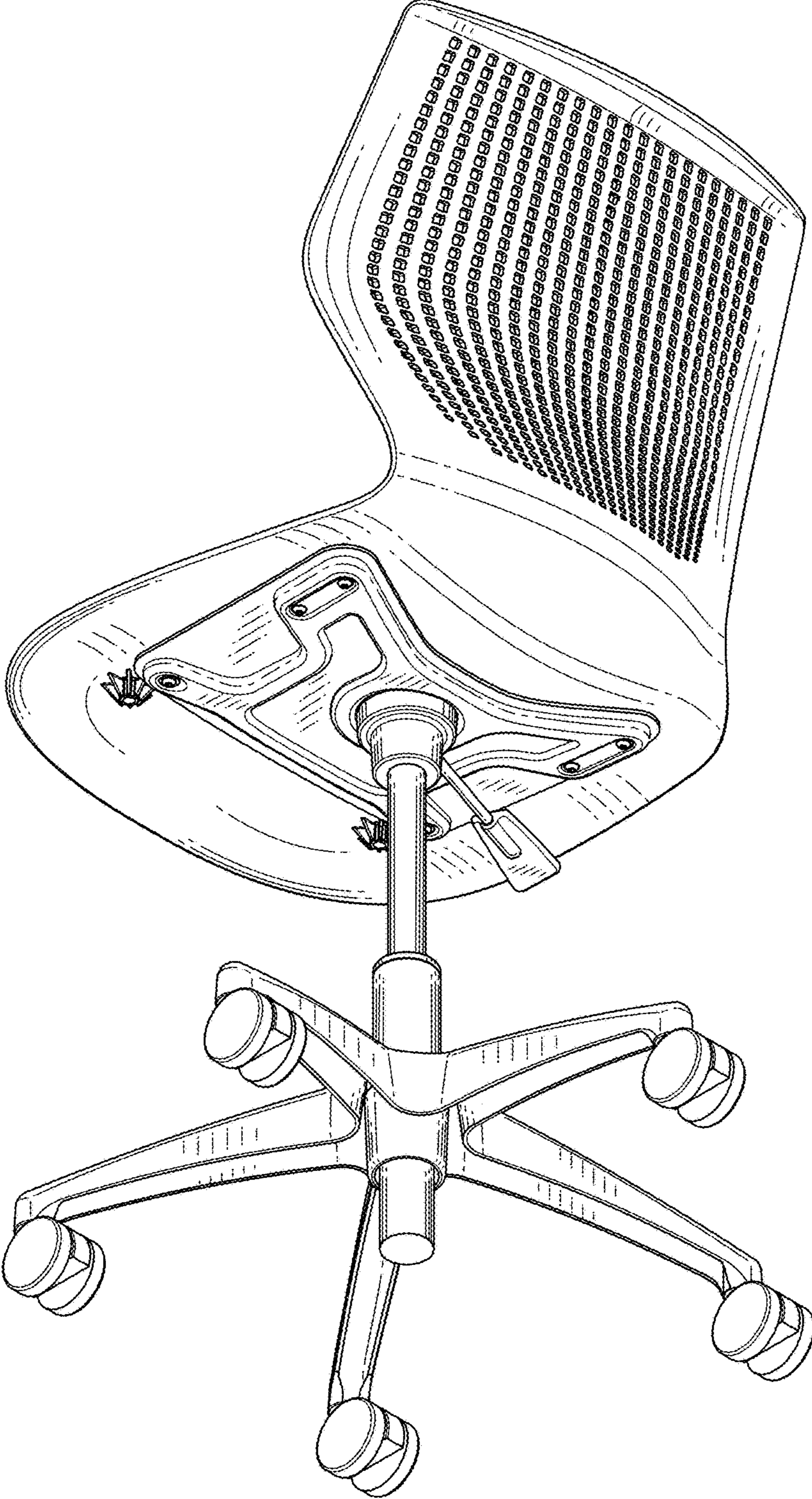


FIGURE 9

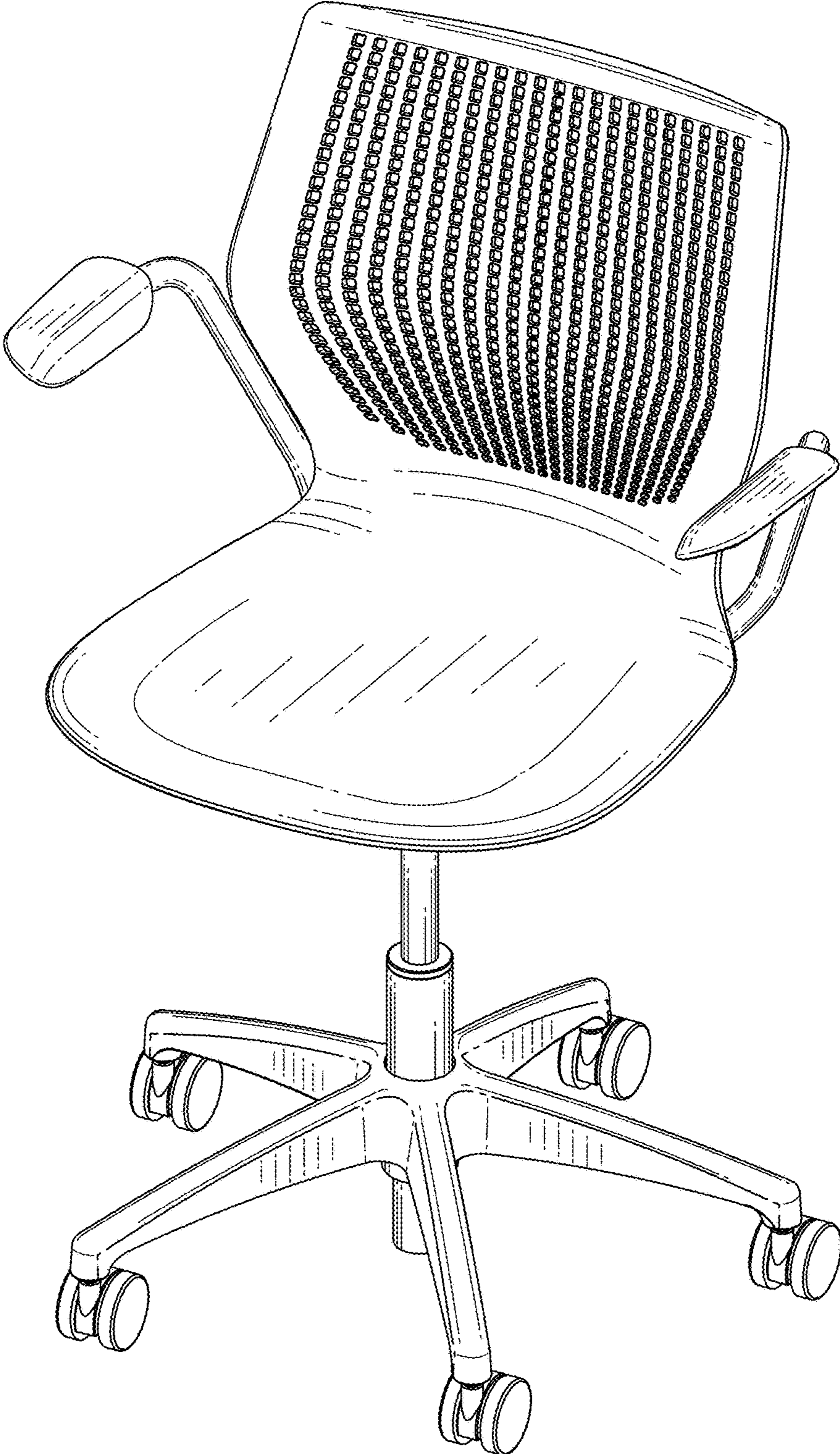


FIGURE 10

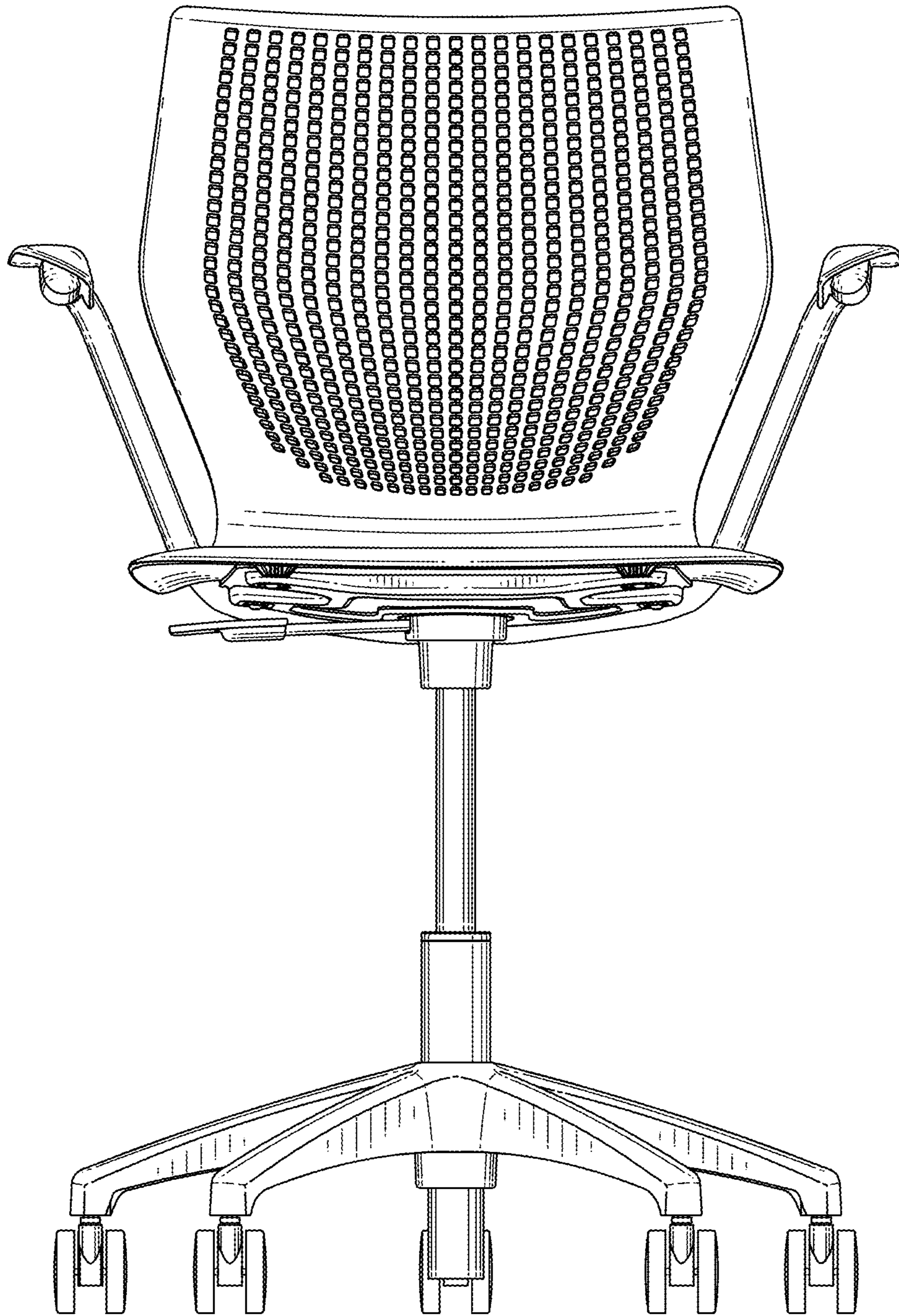


FIGURE 11



FIGURE 12



FIGURE 13

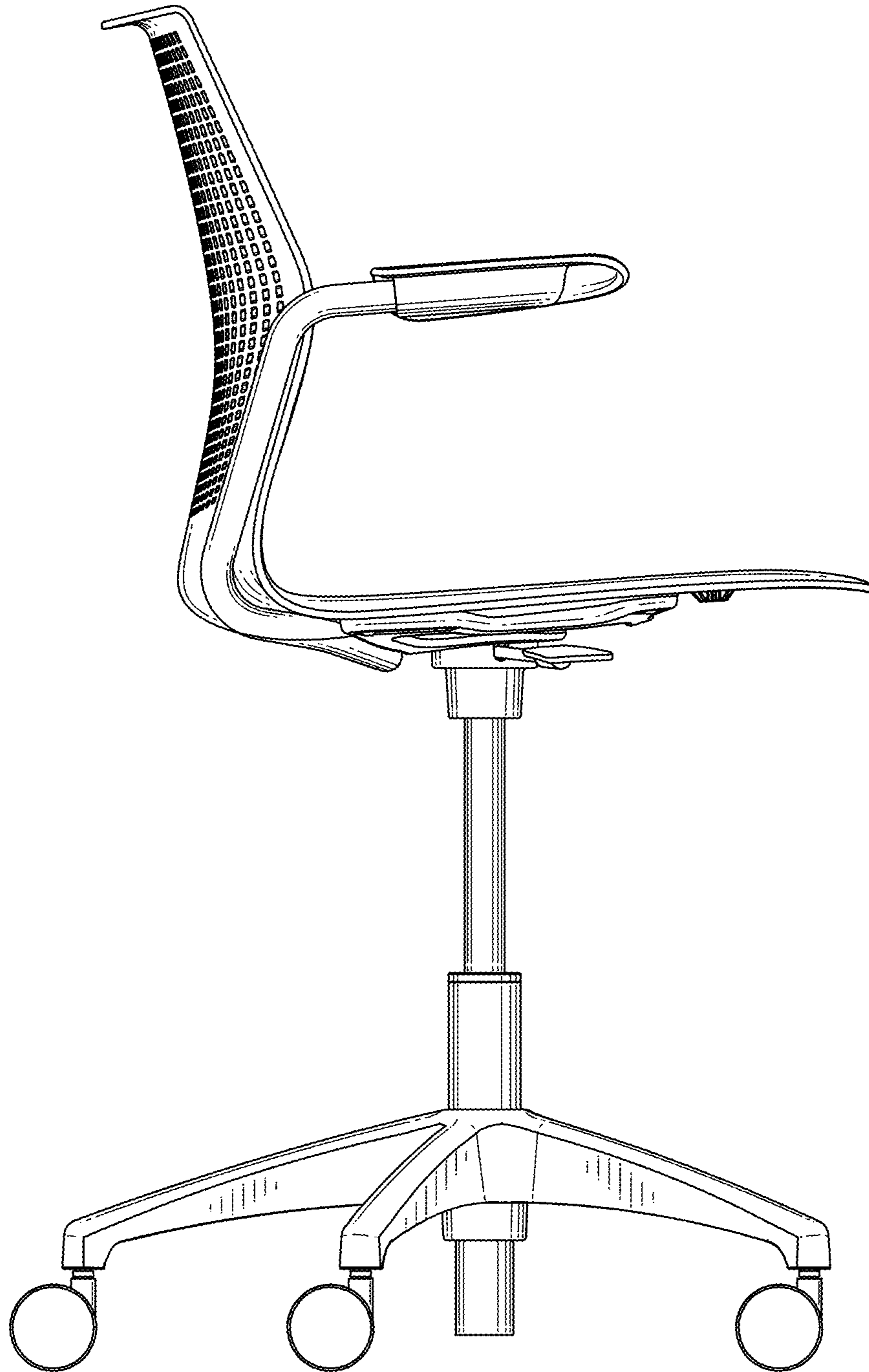


FIGURE 14

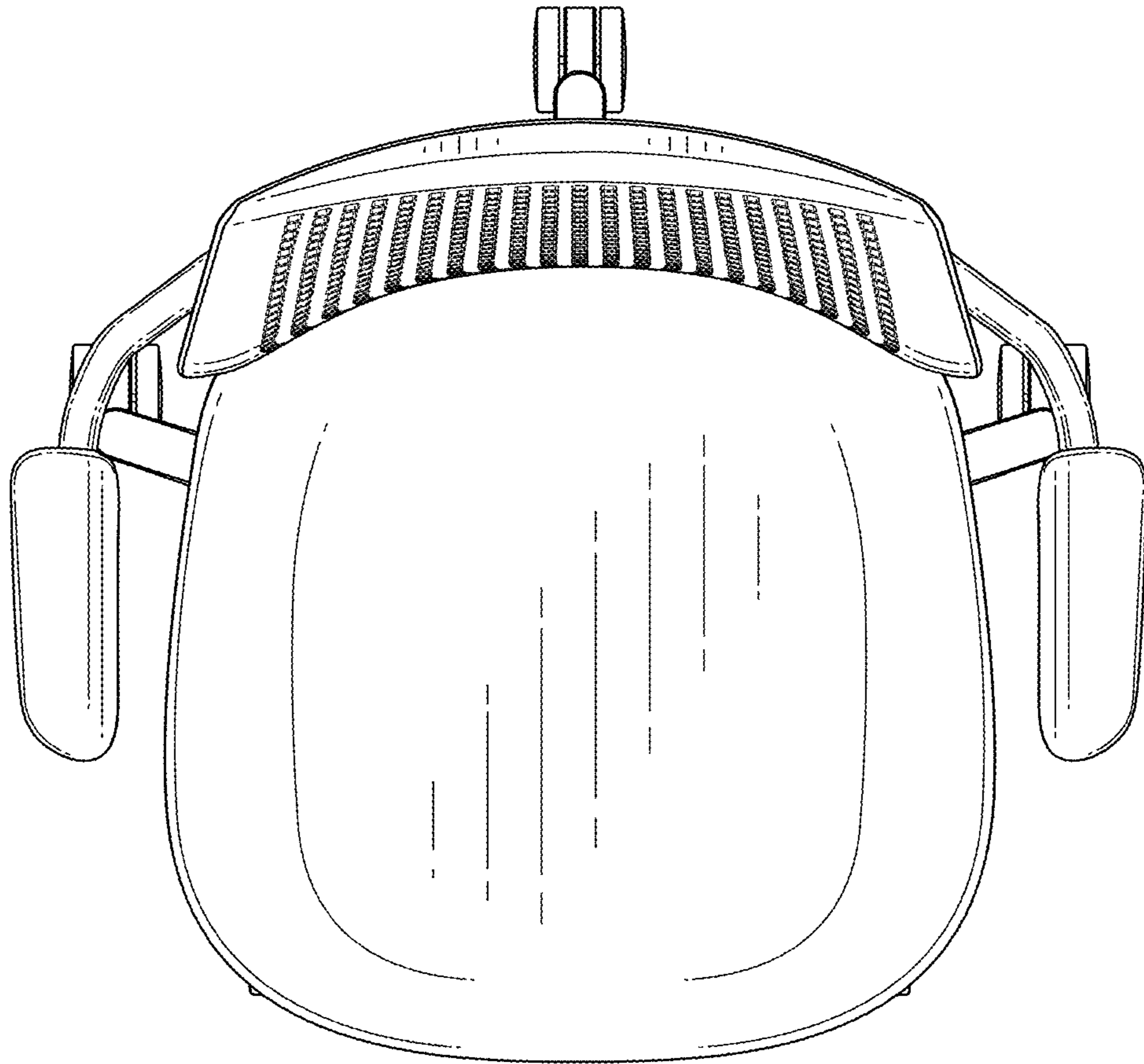


FIGURE 15

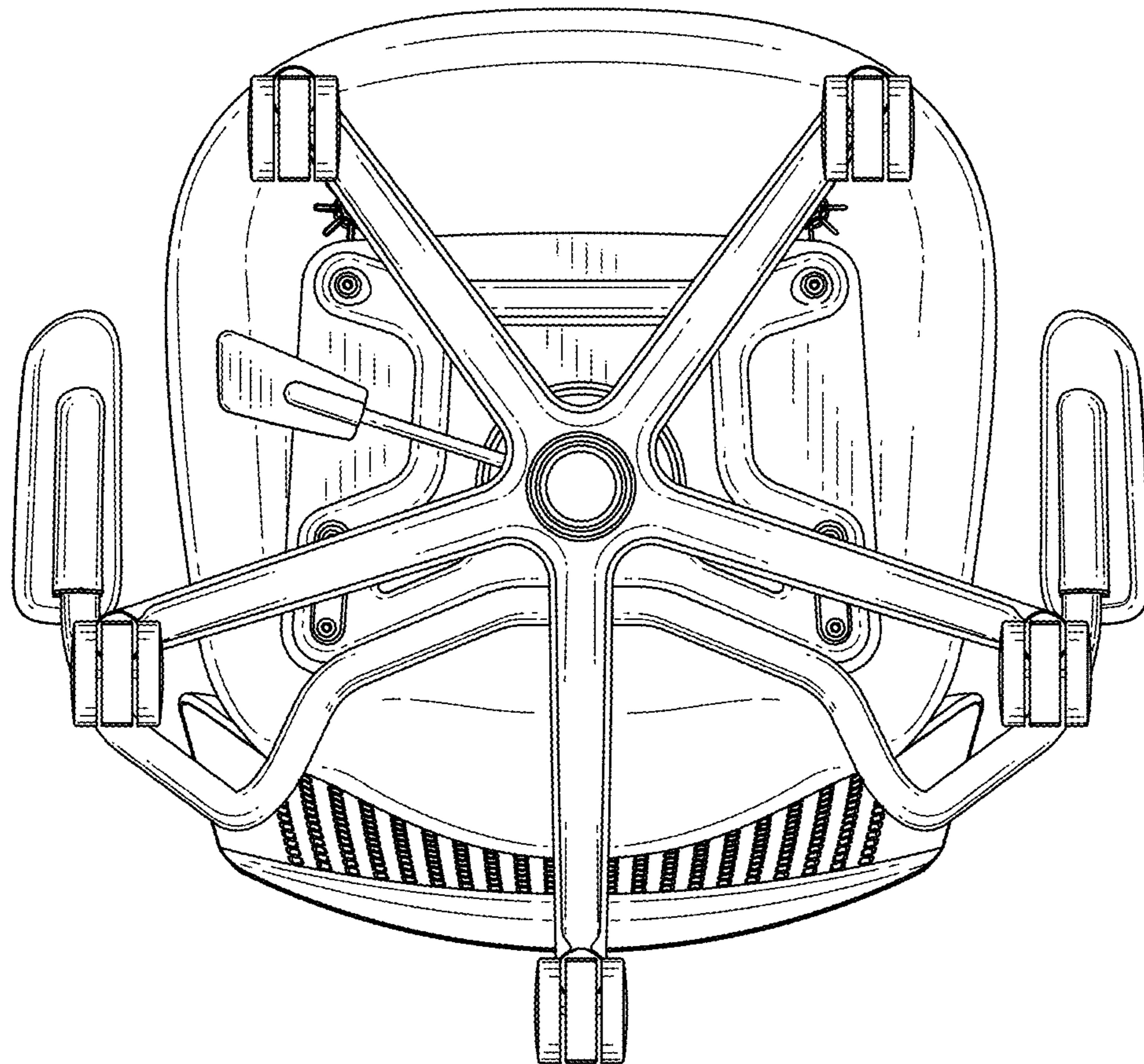


FIGURE 16

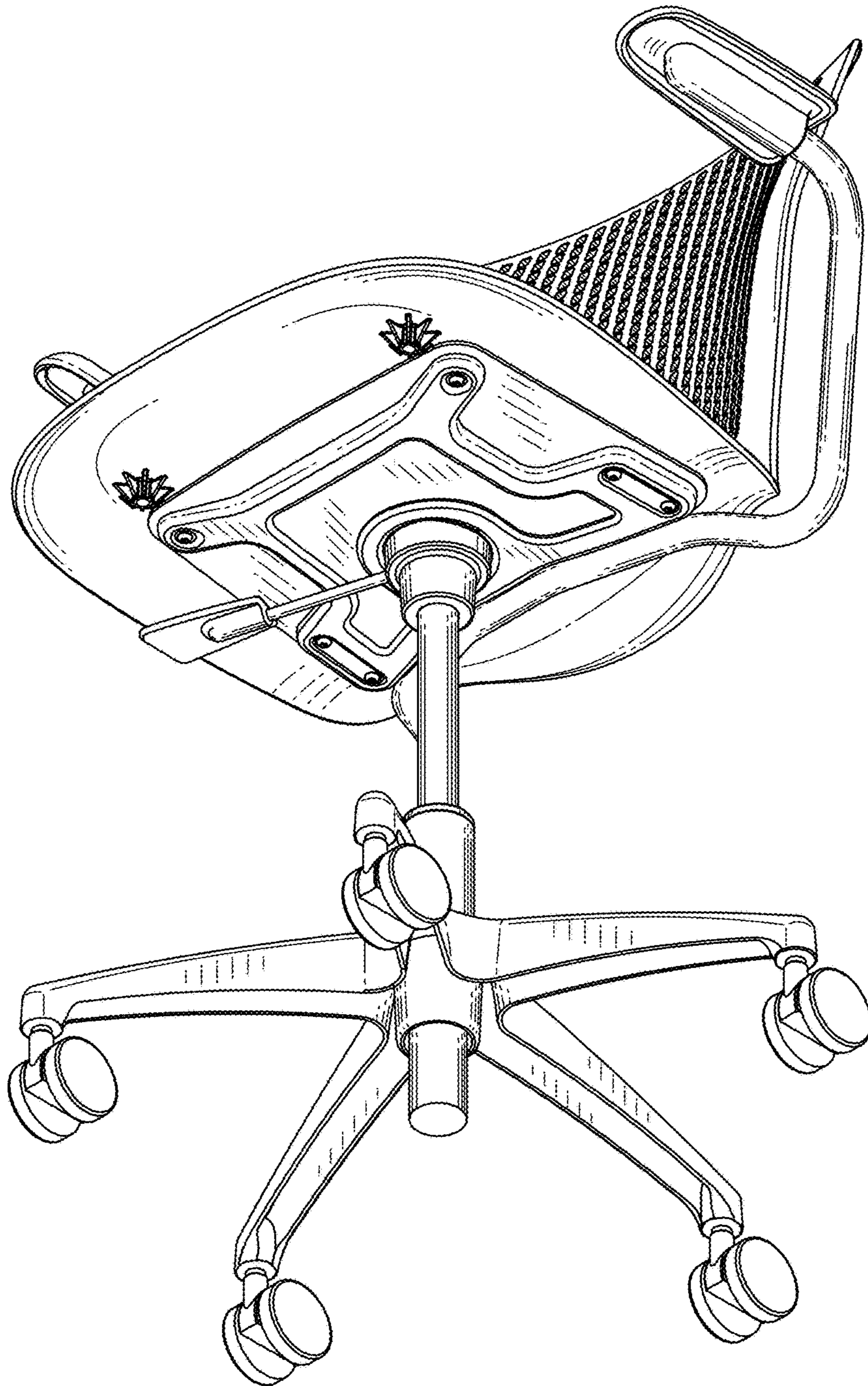


FIGURE 17

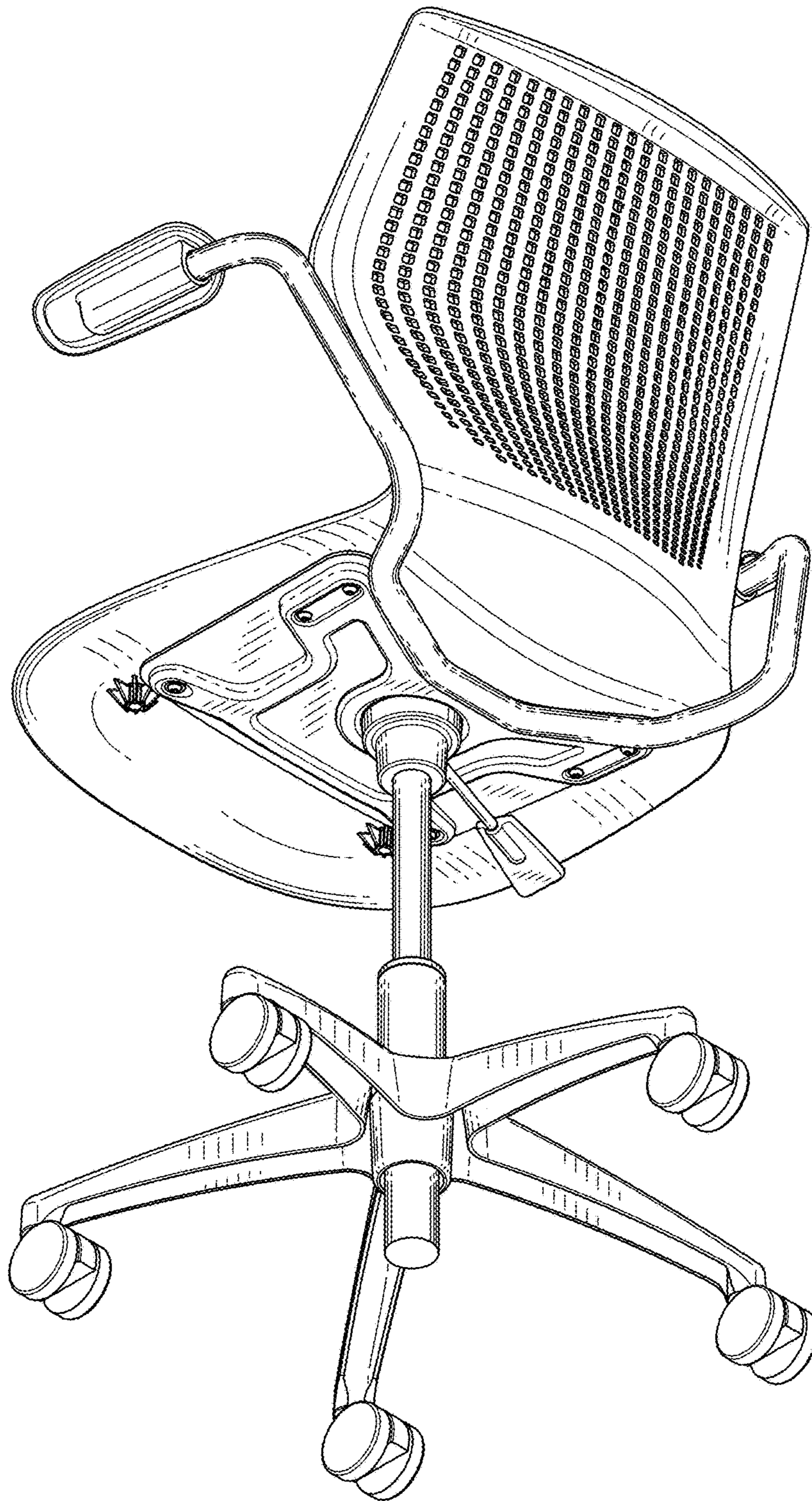


FIGURE 18

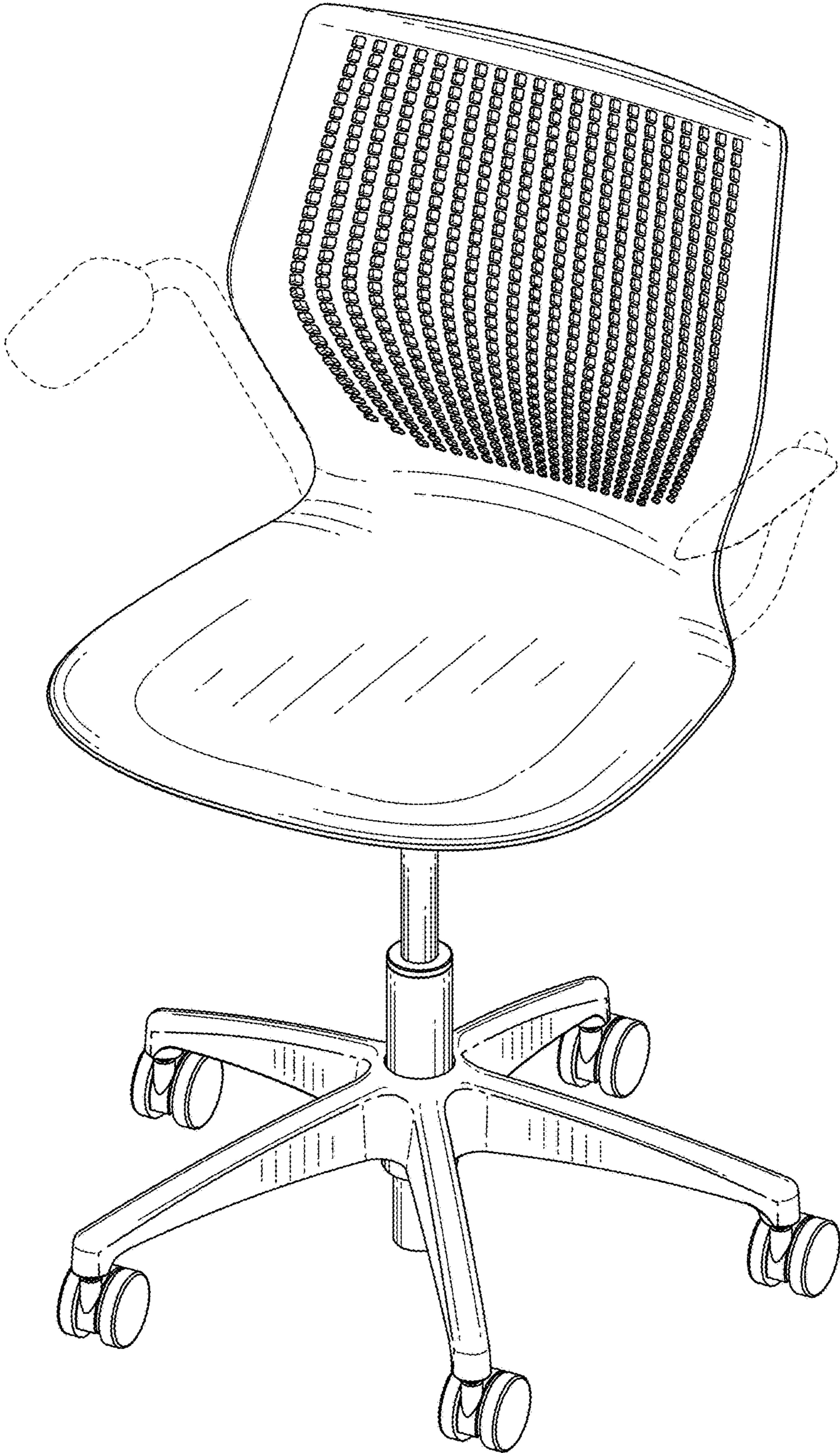


FIGURE 19

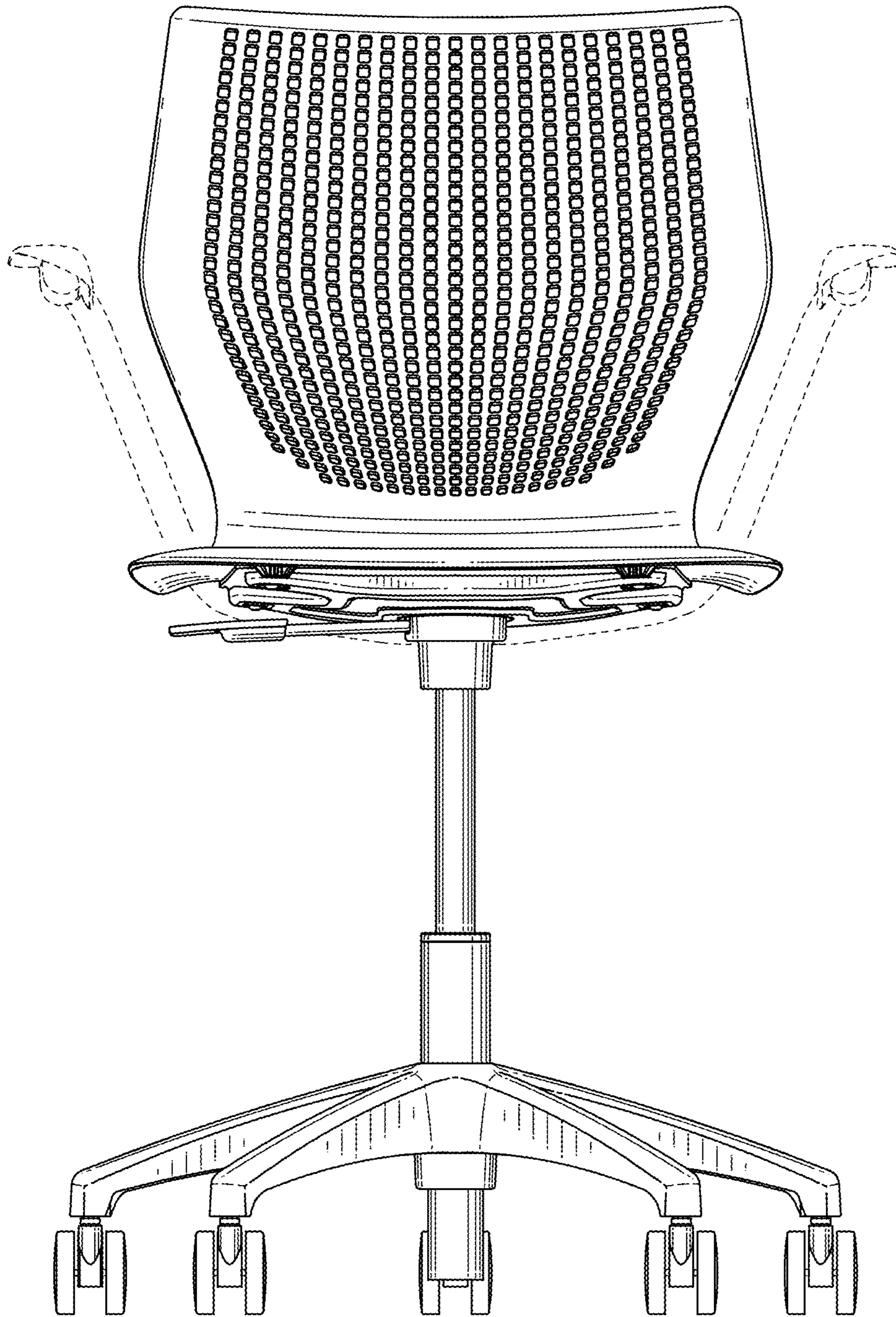


FIGURE 20

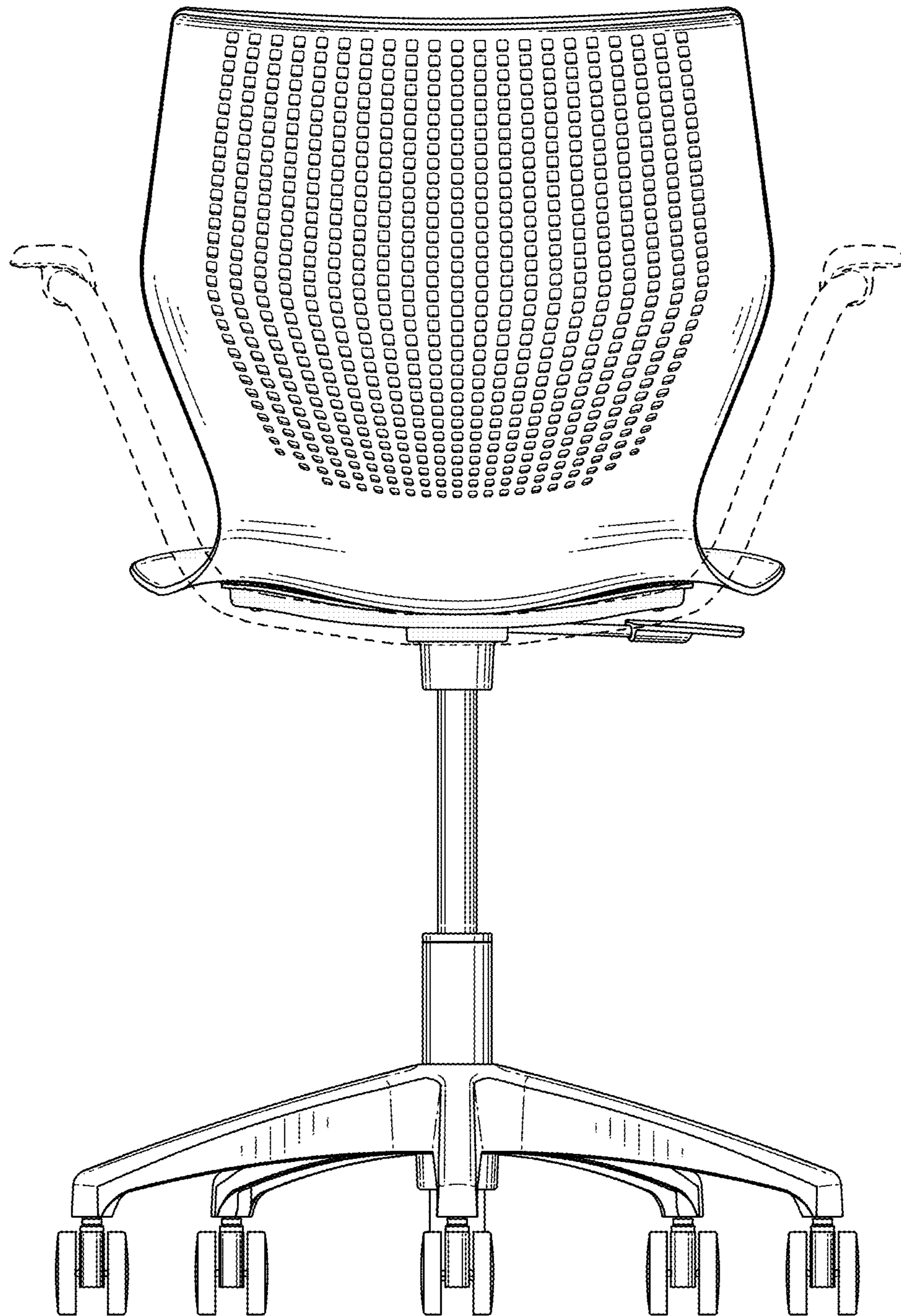


FIGURE 21



FIGURE 22

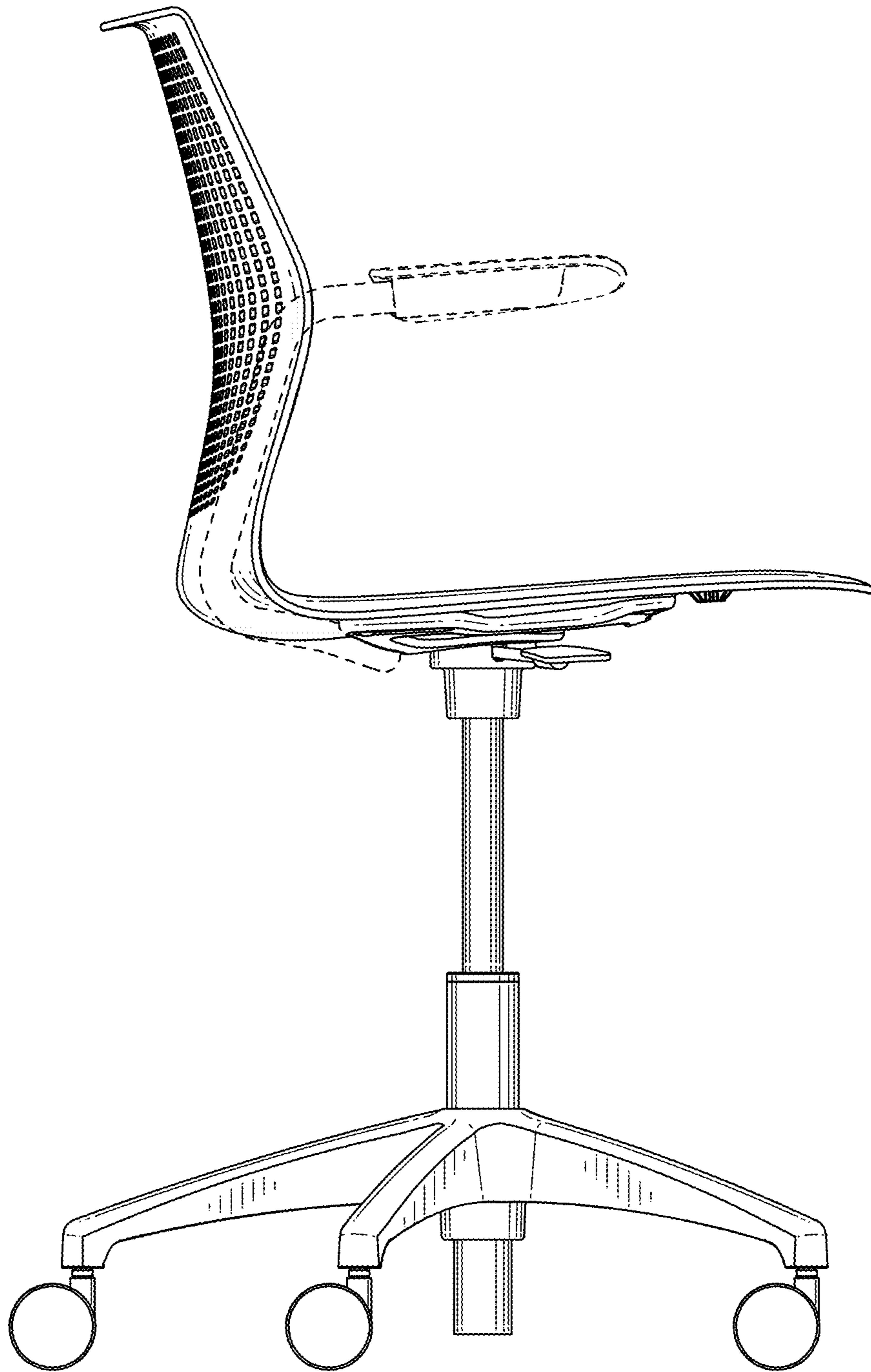


FIGURE 23

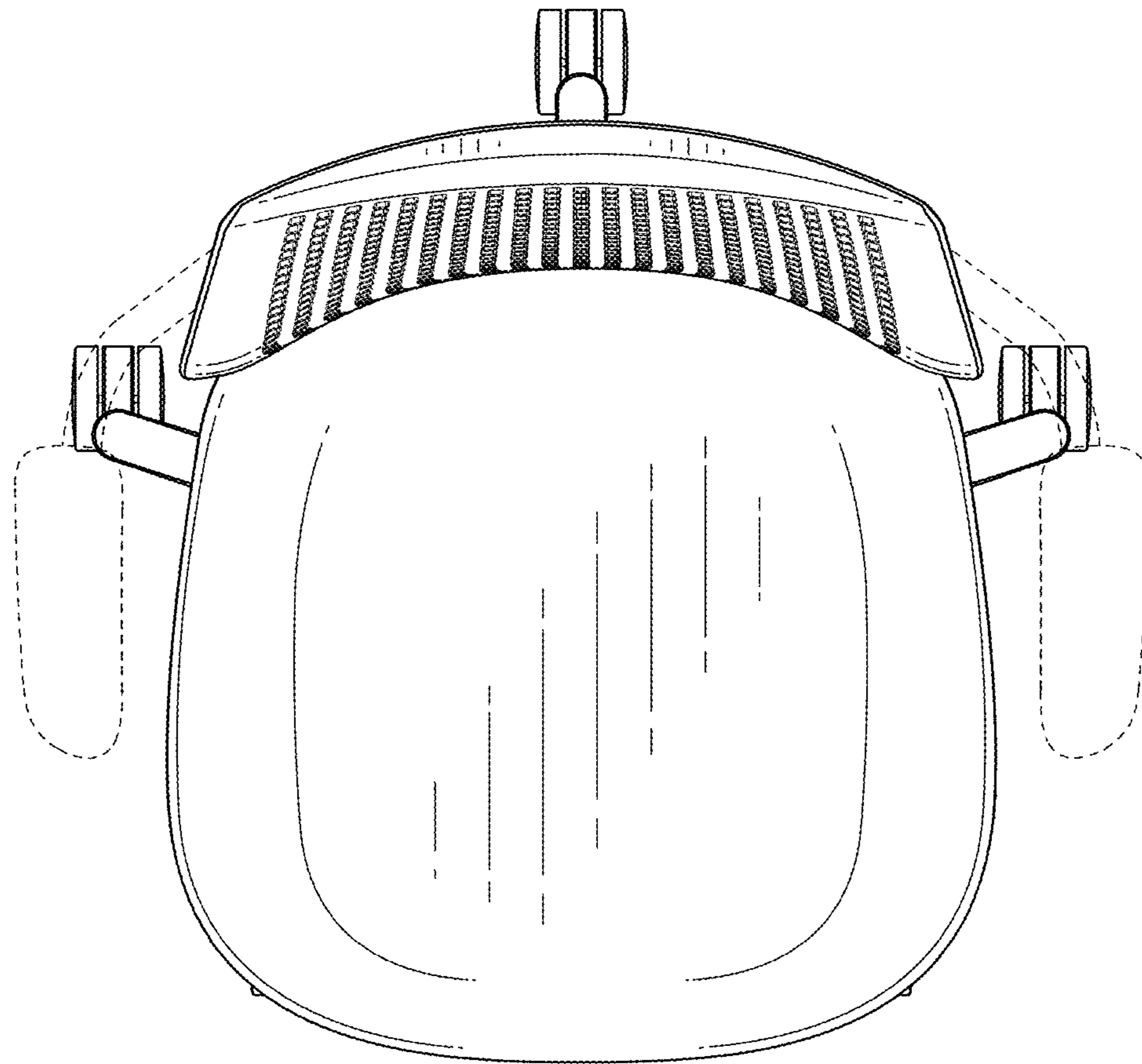


FIGURE 24

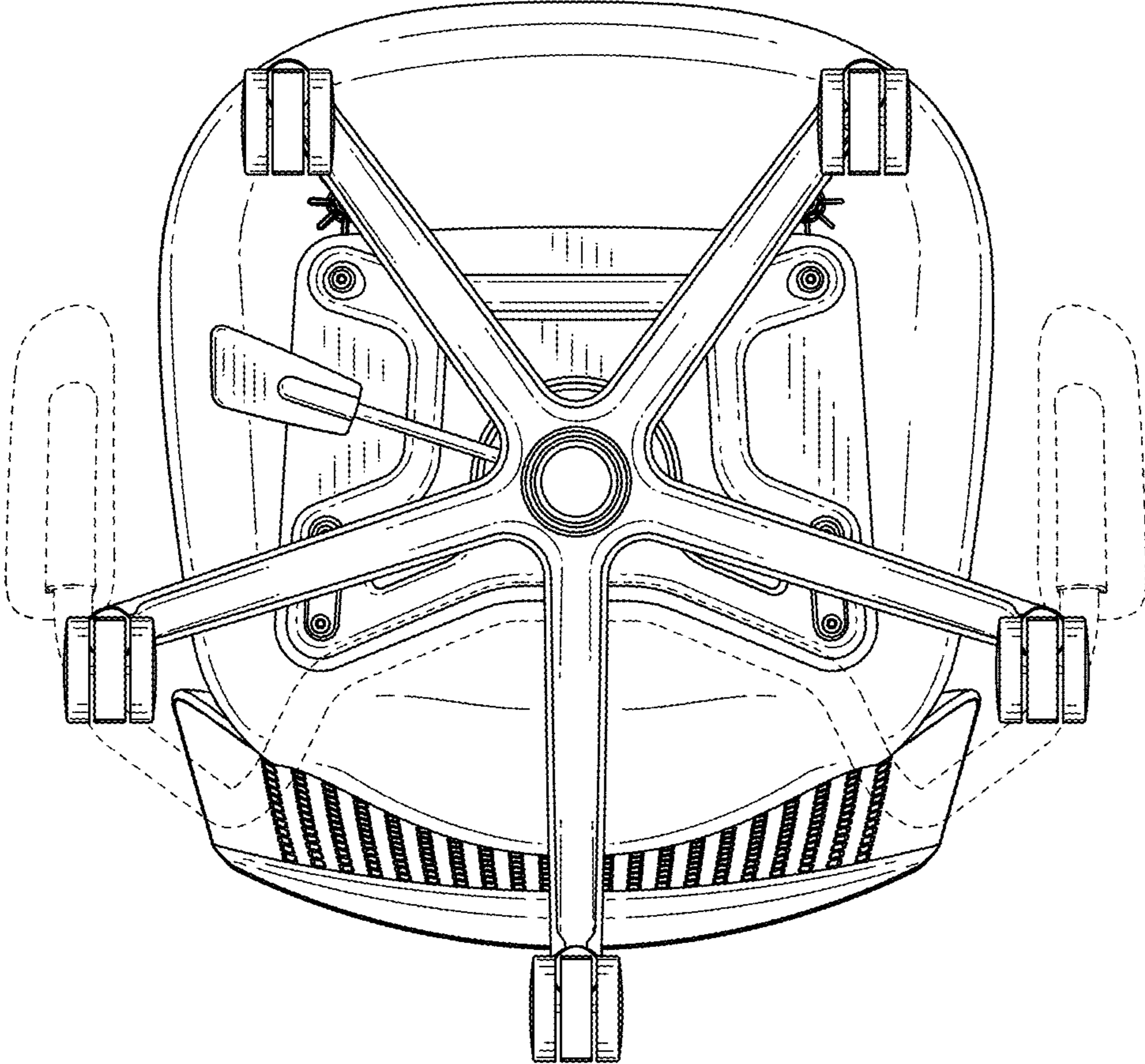


FIGURE 25

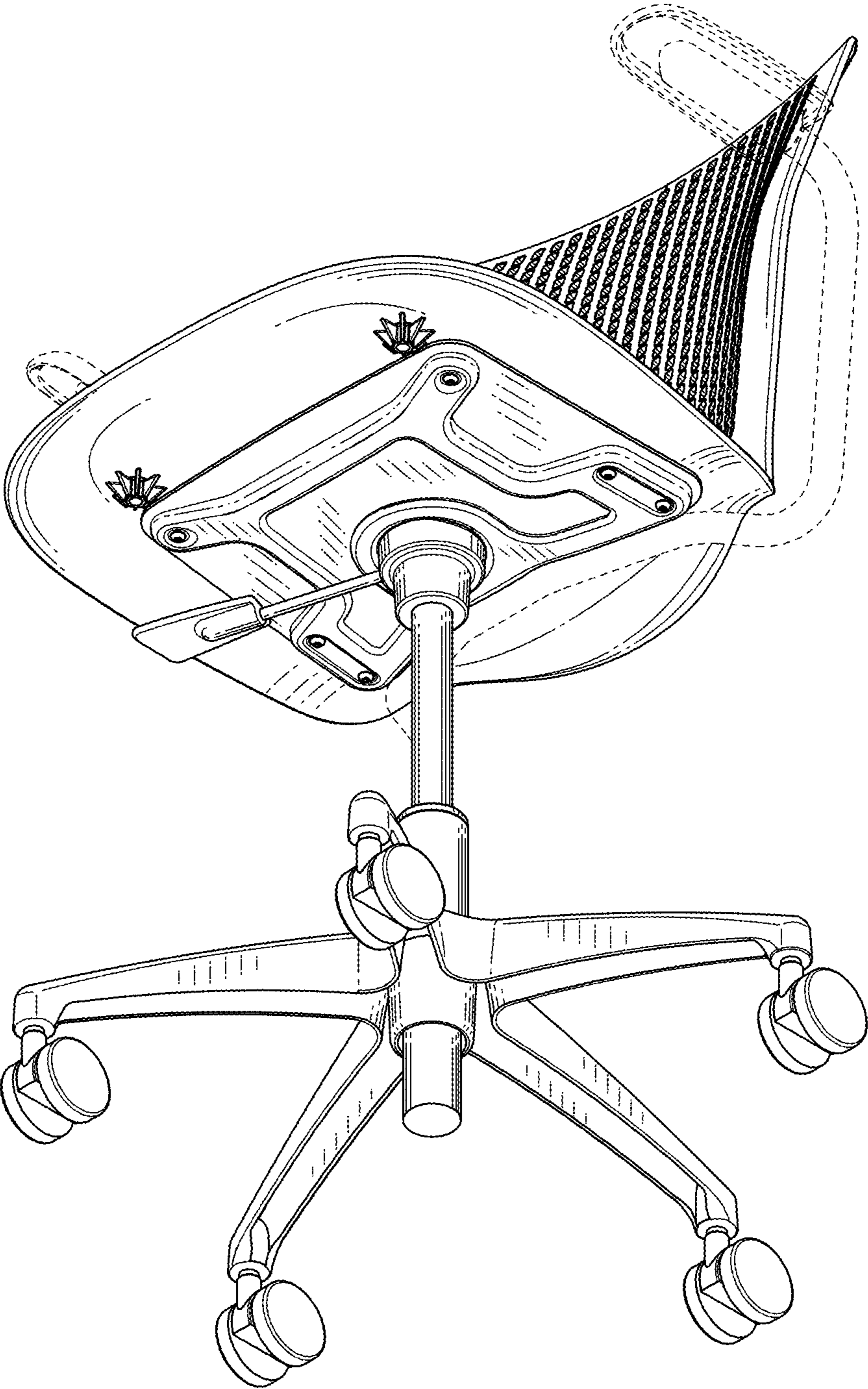


FIGURE 26

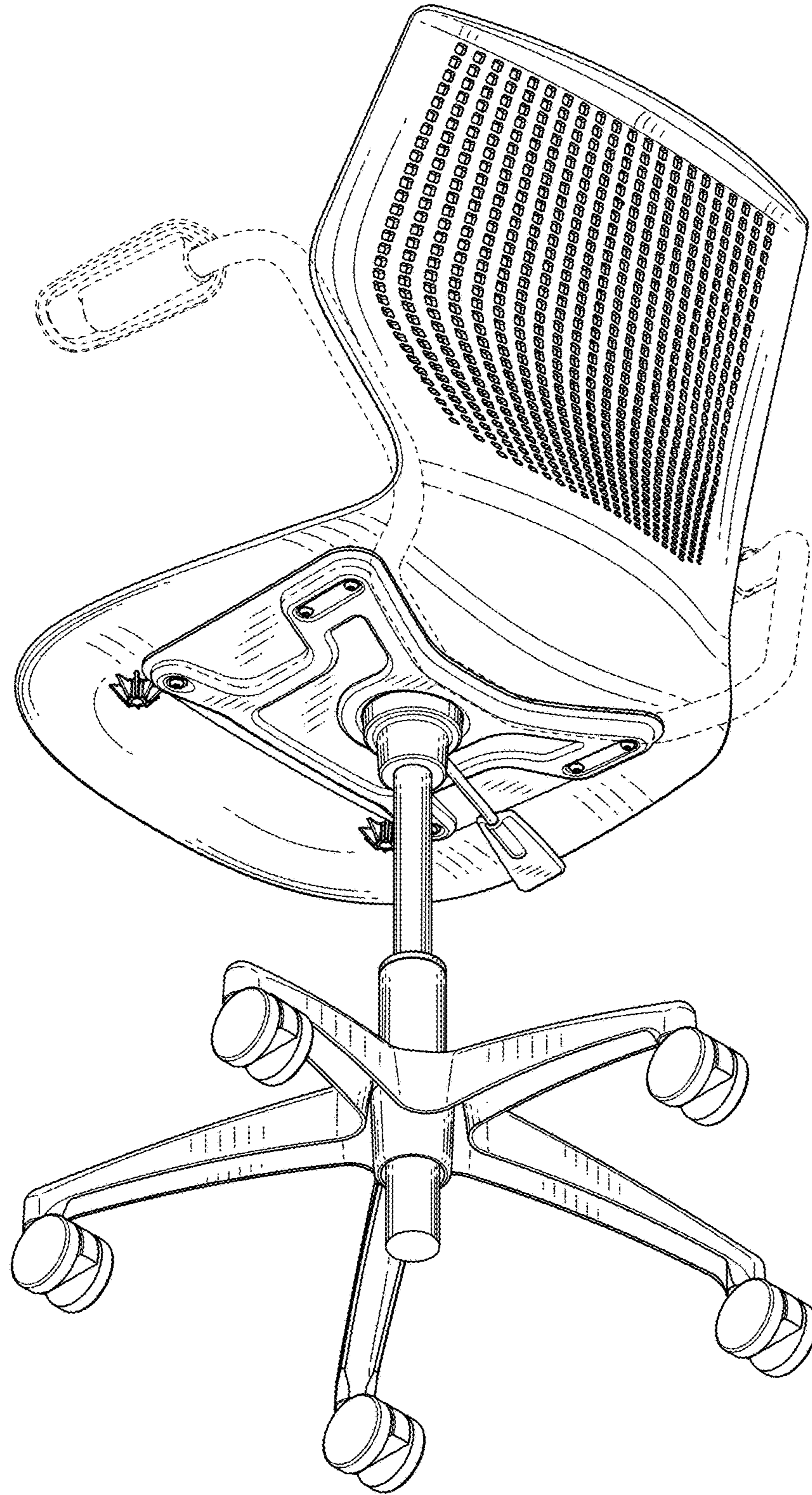


FIGURE 27