

US00D833766S

(12) **United States Design Patent** (10) **Patent No.:** **US D833,766 S**
Davis et al. (45) **Date of Patent:** **** Nov. 20, 2018**

(54) **BAR STOOL**

(71) Applicant: **WALKER EDISON FURNITURE COMPANY, LLC**, Salt Lake City, UT (US)

(72) Inventors: **Matthew Davis**, Murray, UT (US); **Brad Bonham**, Draper, UT (US)

(73) Assignee: **Walker Edison Furniture Company LLC**, UT (US)

(**) Term: **15 Years**

(21) Appl. No.: **29/592,205**

(22) Filed: **Jan. 27, 2017**

(51) **LOC (11) Cl.** **06-01**

(52) **U.S. Cl.**
USPC **D6/360**

(58) **Field of Classification Search**
USPC D6/334-381, 716, 716.1-716.8
CPC A47C 3/00; A47C 5/00; A47C 5/06; A47C 5/12; A47C 7/00; A47C 7/16; A47C 7/54
See application file for complete search history.

(56) **References Cited**

U.S. PATENT DOCUMENTS

D162,854 S * 4/1951 Lumley D6/380
D166,078 S * 3/1952 Hamilton D25/65
D183,607 S * 9/1958 Glass D6/380
D184,238 S * 1/1959 Nelson et al. 297/448.1

D190,905 S * 7/1961 Hamilton D25/65
D408,646 S * 4/1999 Lin D6/379
D540,562 S * 4/2007 Muller D6/381
D673,787 S * 1/2013 Bartlmae D6/380
D695,036 S * 12/2013 Pessa D6/360
D724,342 S * 3/2015 Pessa D6/374
D739,663 S * 9/2015 Yuglich D6/380
D763,003 S * 8/2016 Moscheri D6/380
D763,004 S * 8/2016 Moscheri D6/380
D799,848 S * 10/2017 Morrison D6/380
D805,797 S * 12/2017 Toffoloni D6/380

* cited by examiner

Primary Examiner — Deanna L Pratt

(74) *Attorney, Agent, or Firm* — Workman Nydegger

(57) **CLAIM**

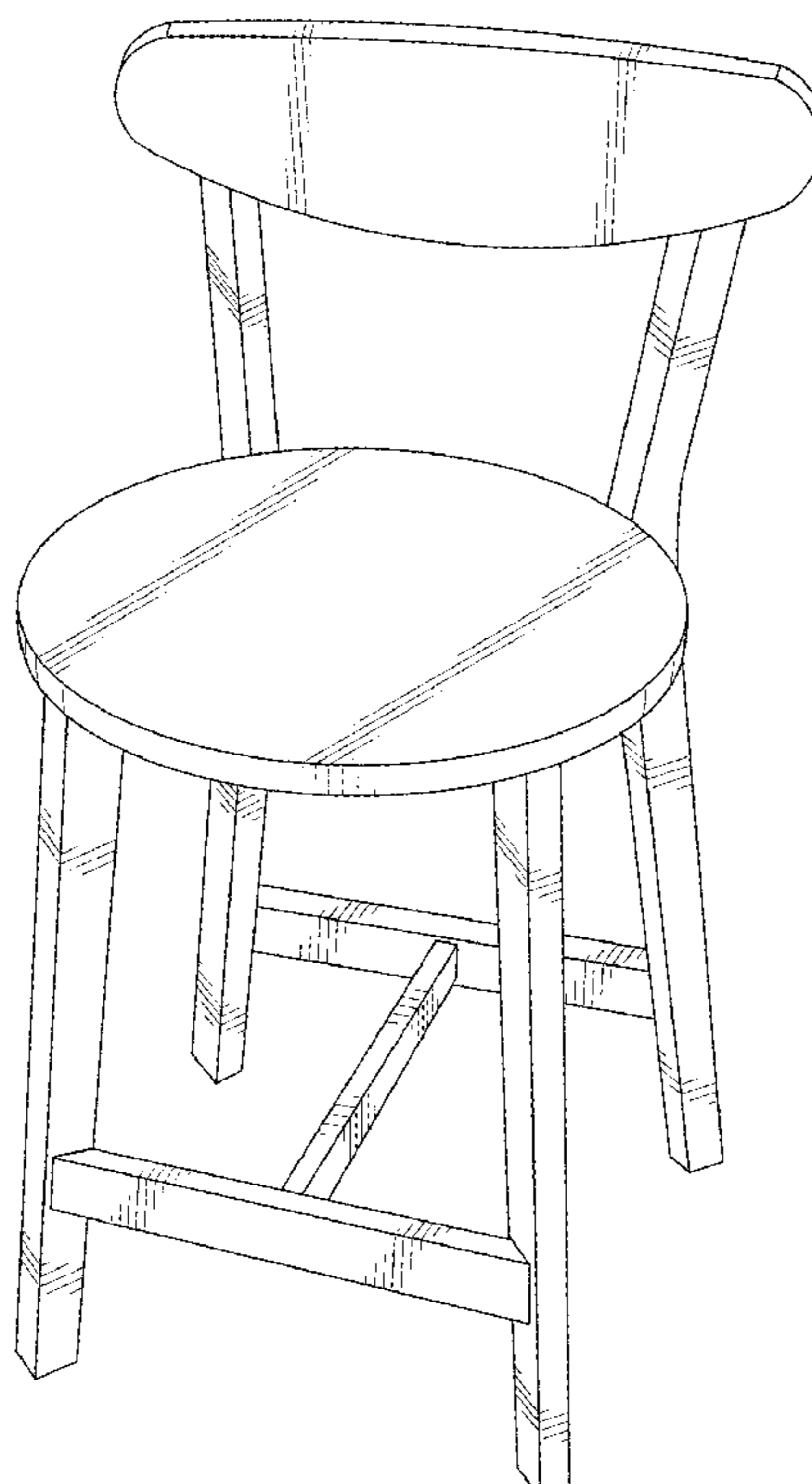
The ornamental design for a bar stool, as shown and described.

DESCRIPTION

FIG. 1 is a front perspective view of a bar stool;
FIG. 2 is a front elevation view thereof;
FIG. 3 is a back elevation view thereof;
FIG. 4 is a top plan view thereof;
FIG. 5 is a bottom plan view thereof;
FIG. 6 is a right elevation view thereof; and,
FIG. 7 is a left elevation view thereof.

The broken lines in the drawings illustrate portions of the bar stool that form no part of the claimed design.

1 Claim, 4 Drawing Sheets



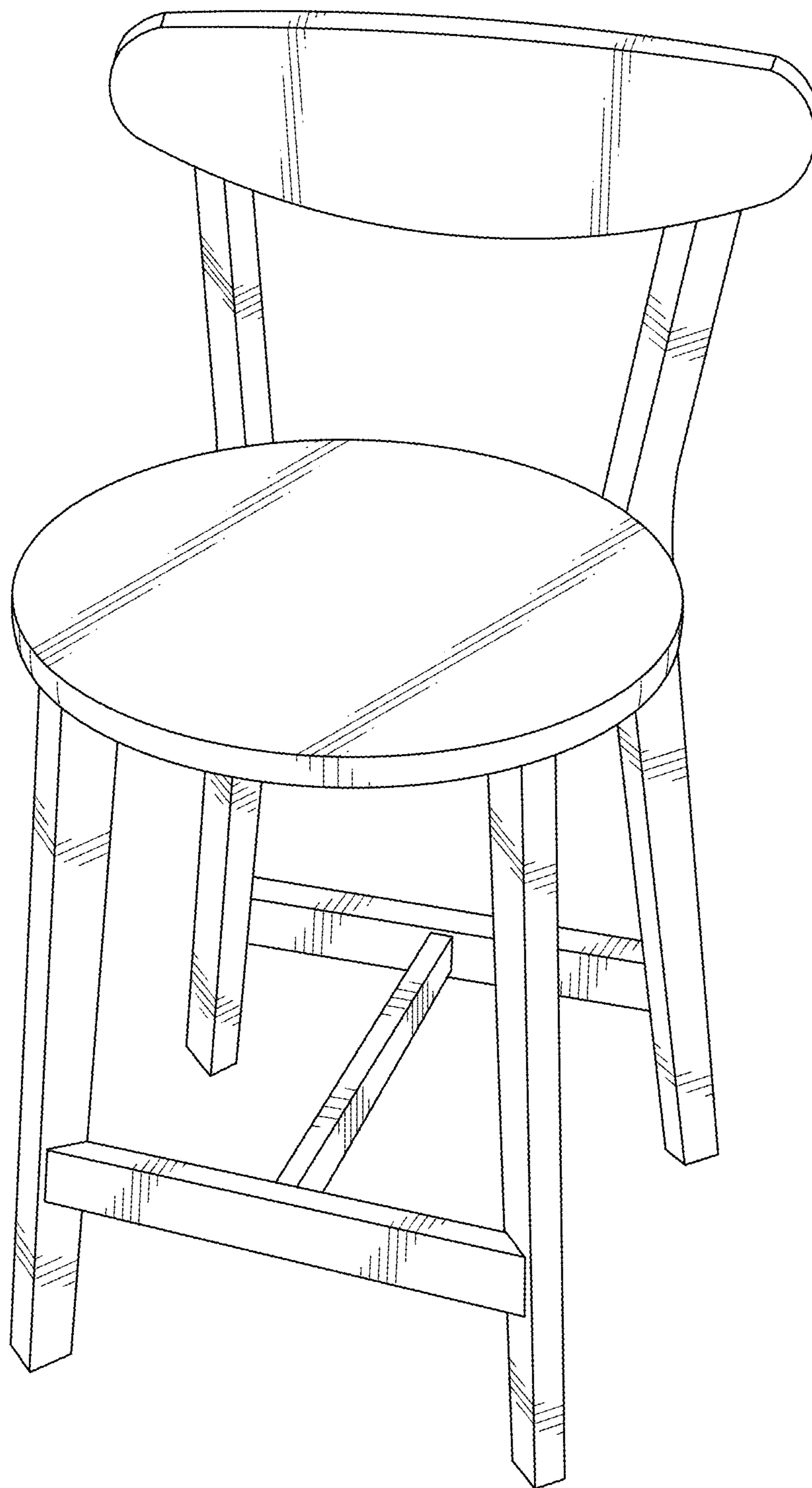


FIG. 1

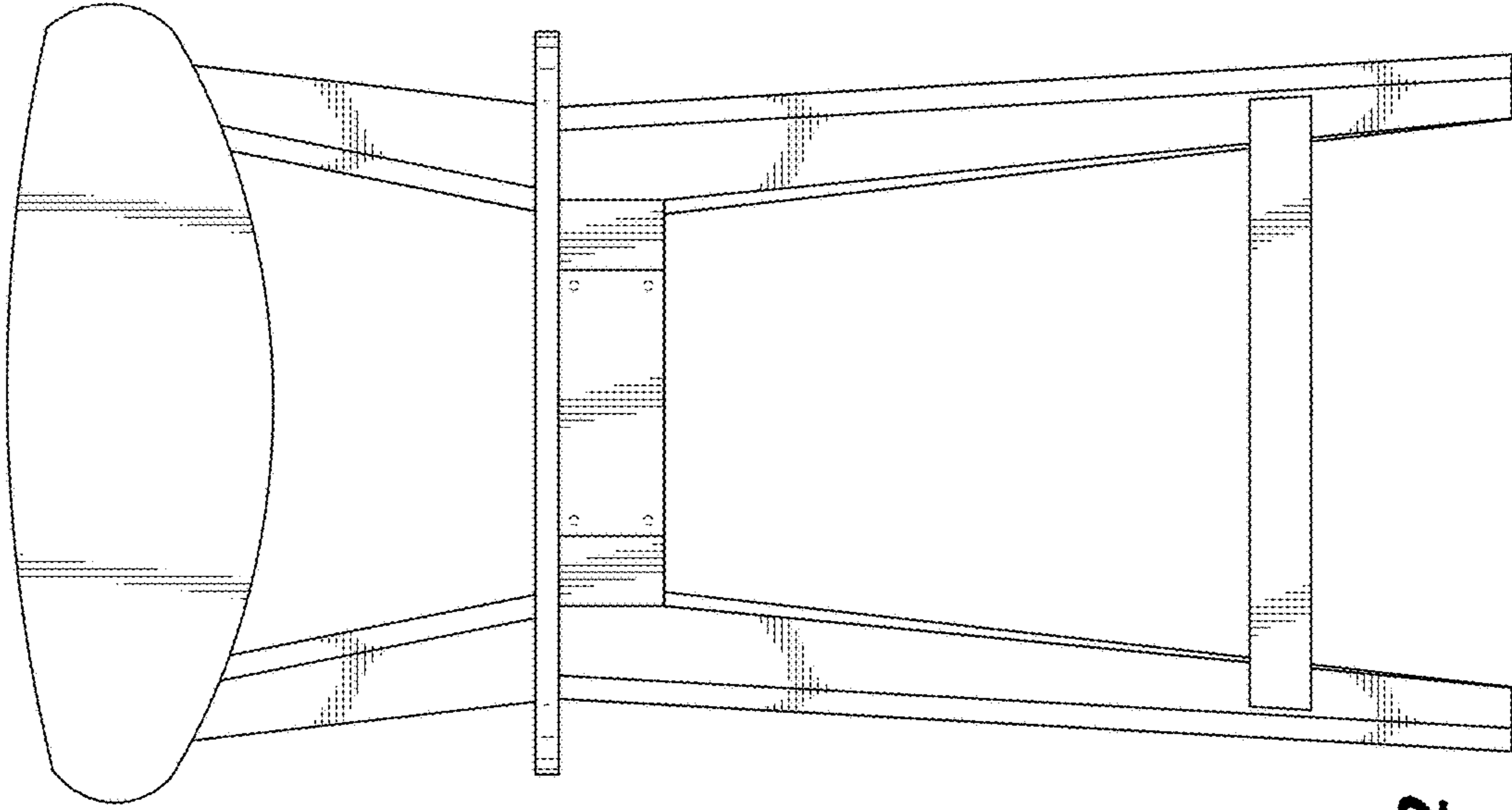


FIG. 2

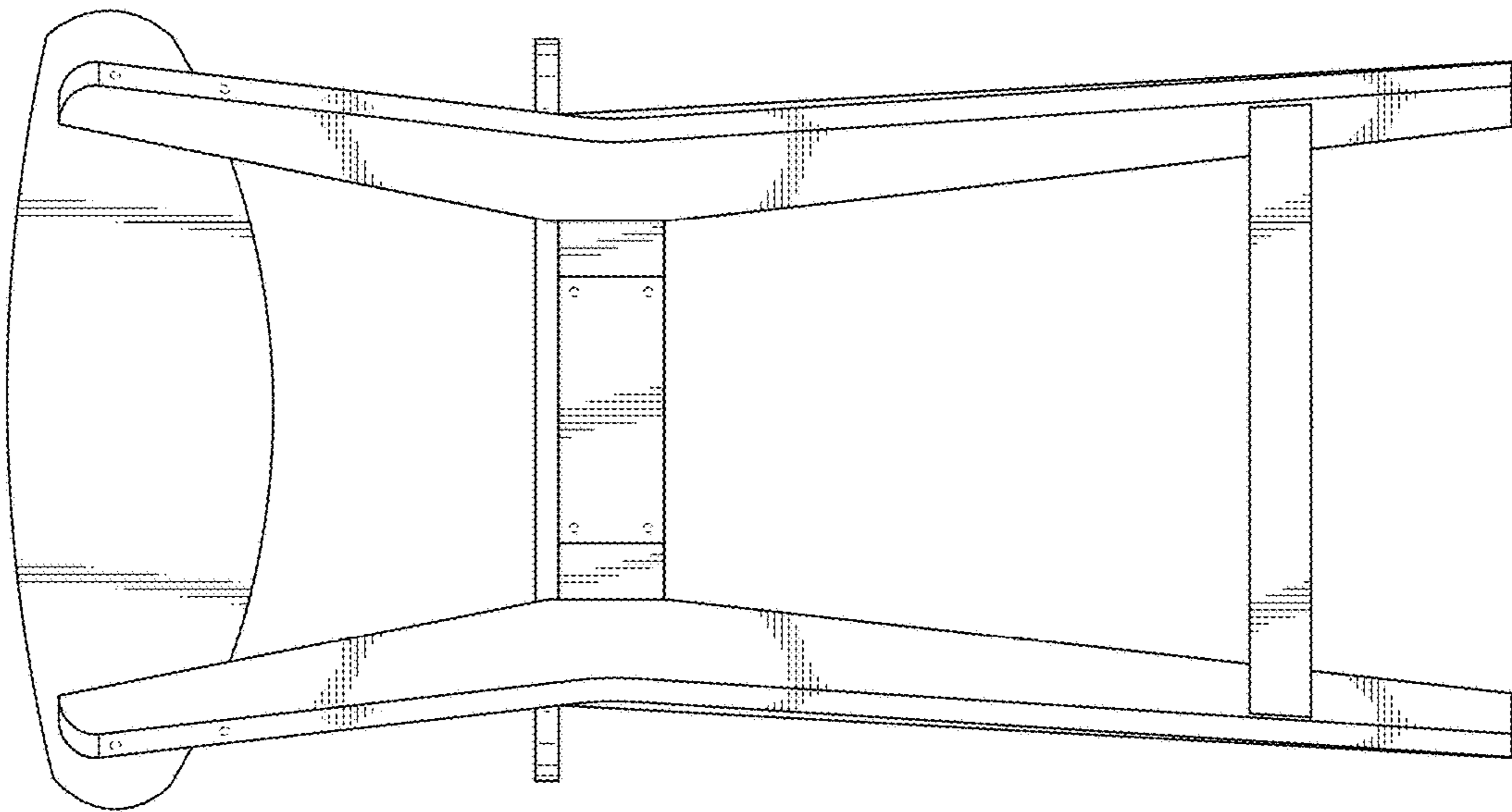


FIG. 3

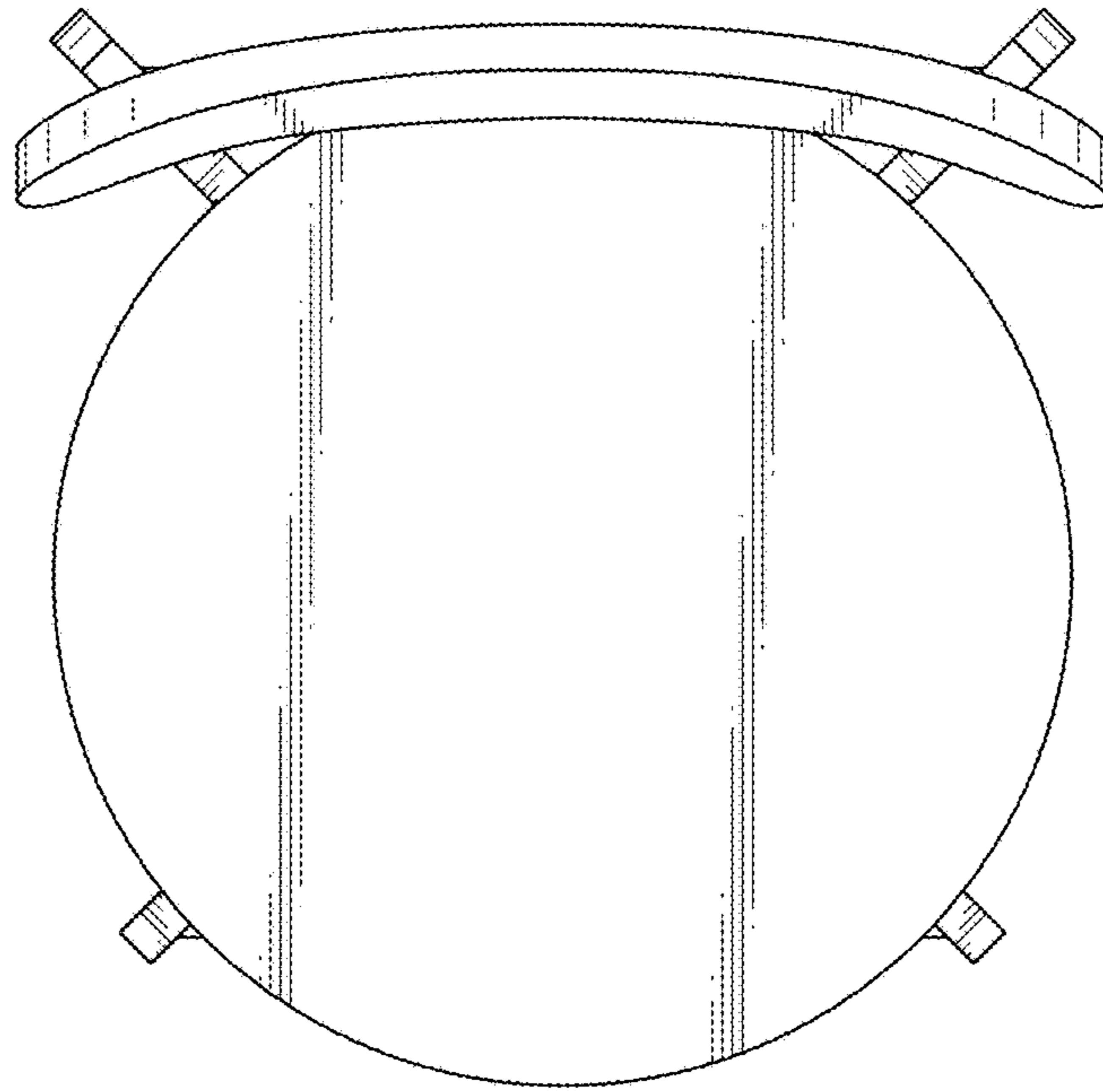


FIG. 4

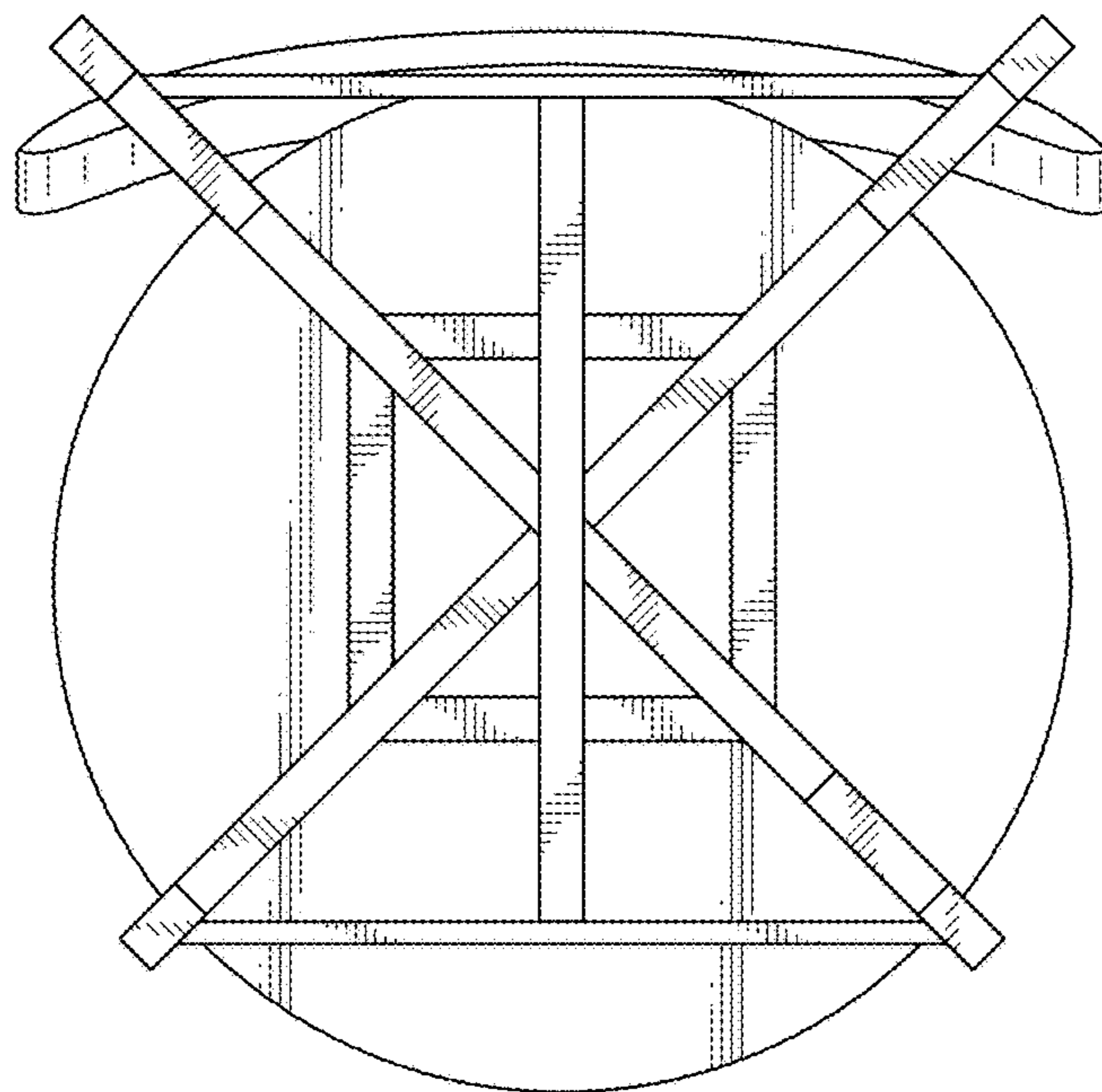


FIG. 5

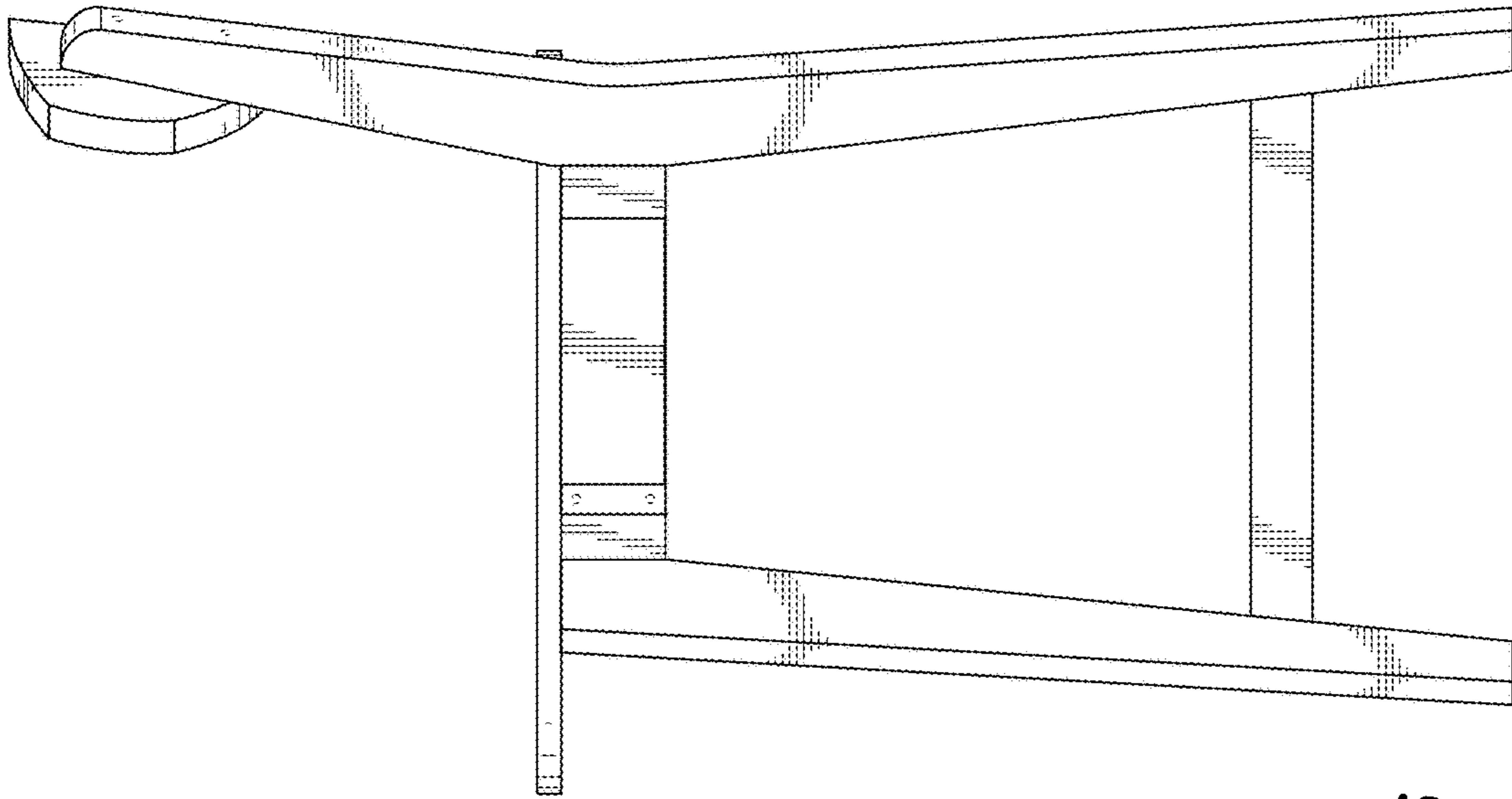


FIG. 6

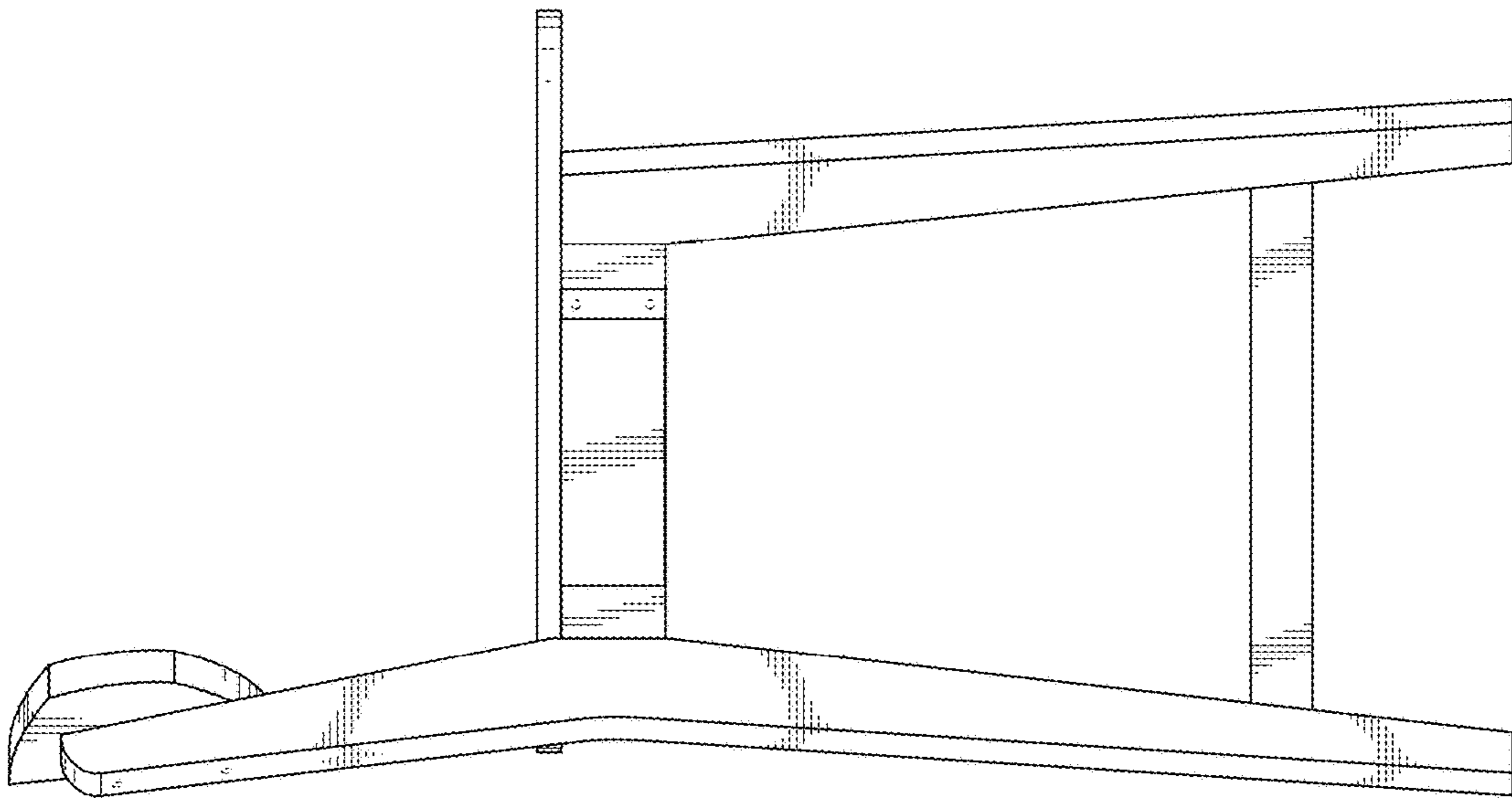


FIG. 7