



US00D833765S

(12) **United States Design Patent**
Mammi

(10) **Patent No.:** **US D833,765 S**

(45) **Date of Patent:** **** Nov. 20, 2018**

(54) **SHOWER SEAT**

(71) Applicant: **LM GLOBAL DESIGN LIMITED,**
Dublin (IE)

(72) Inventor: **Luca Mammi,** Dublin (IE)

(73) Assignee: **LM GLOBAL DESIGN LIMITED,**
Dublin (IE)

(**) Term: **15 Years**

(21) Appl. No.: **29/591,284**

(22) Filed: **Jan. 18, 2017**

(30) **Foreign Application Priority Data**

Jul. 18, 2016 (EM) 003309426

(51) **LOC (11) Cl.** **06-01**

(52) **U.S. Cl.**
USPC **D6/353; D6/349**

(58) **Field of Classification Search**
USPC D6/274, 334, 349-353, 360, 364-367,
D6/371-374, 403-405, 596, 691-291.9,
D6/692-692.6, 708.21, 716; D25/62-65,
D25/69
CPC A47B 7/00; A47B 7/02; A47B 9/00; A47B
13/02; A47B 23/00; A47B 39/00; A47C
7/002; A47C 7/18; A47C 3/18; A47C
3/20; A47C 9/002; A47C 9/007; A47C
9/02; A47C 11/00

See application file for complete search history.

(56) **References Cited**

U.S. PATENT DOCUMENTS

D265,026 S * 6/1982 Macho D6/353
D439,429 S * 3/2001 Higgs A47K 3/122
D6/368
D449,170 S * 10/2001 Kim D6/349
D478,750 S * 8/2003 Gilbert D6/374

D509,684 S * 9/2005 Judy D6/691.8
6,974,191 B2 * 12/2005 Serhan A47K 3/282
297/183.9
D519,291 S * 4/2006 Higgs A47K 3/282
D6/367
D558,473 S * 1/2008 Mendenhall D6/349
D660,042 S * 5/2012 Higgs D6/374
D661,129 S * 6/2012 Schweikarth D6/349
D666,435 S * 9/2012 Meyers D6/716
D681,358 S * 5/2013 Sjostrand D6/349
9,149,160 B2 * 10/2015 Liu A47K 3/122
2003/0102700 A1 * 6/2003 Lin A47C 3/34
297/183.9
2004/0051365 A1 * 3/2004 Darst A47K 3/122
297/440.1

(Continued)

OTHER PUBLICATIONS

Delta Non-Adjustable Tub and Shower Seat-DF595. [online] Pub-
lished on Jan. 3, 2015. Retrieved Dec. 8, 2017 from URL:https://
www.homedepot.com/p/Delta-Non-Adjustable-Tub-and-Shower-
Seat-DF595/203398999.*

(Continued)

Primary Examiner — Vy N Koenig
(74) *Attorney, Agent, or Firm* — Hedman & Costigan,
P.C.; James V. Costigan; Kathleen A. Costigan

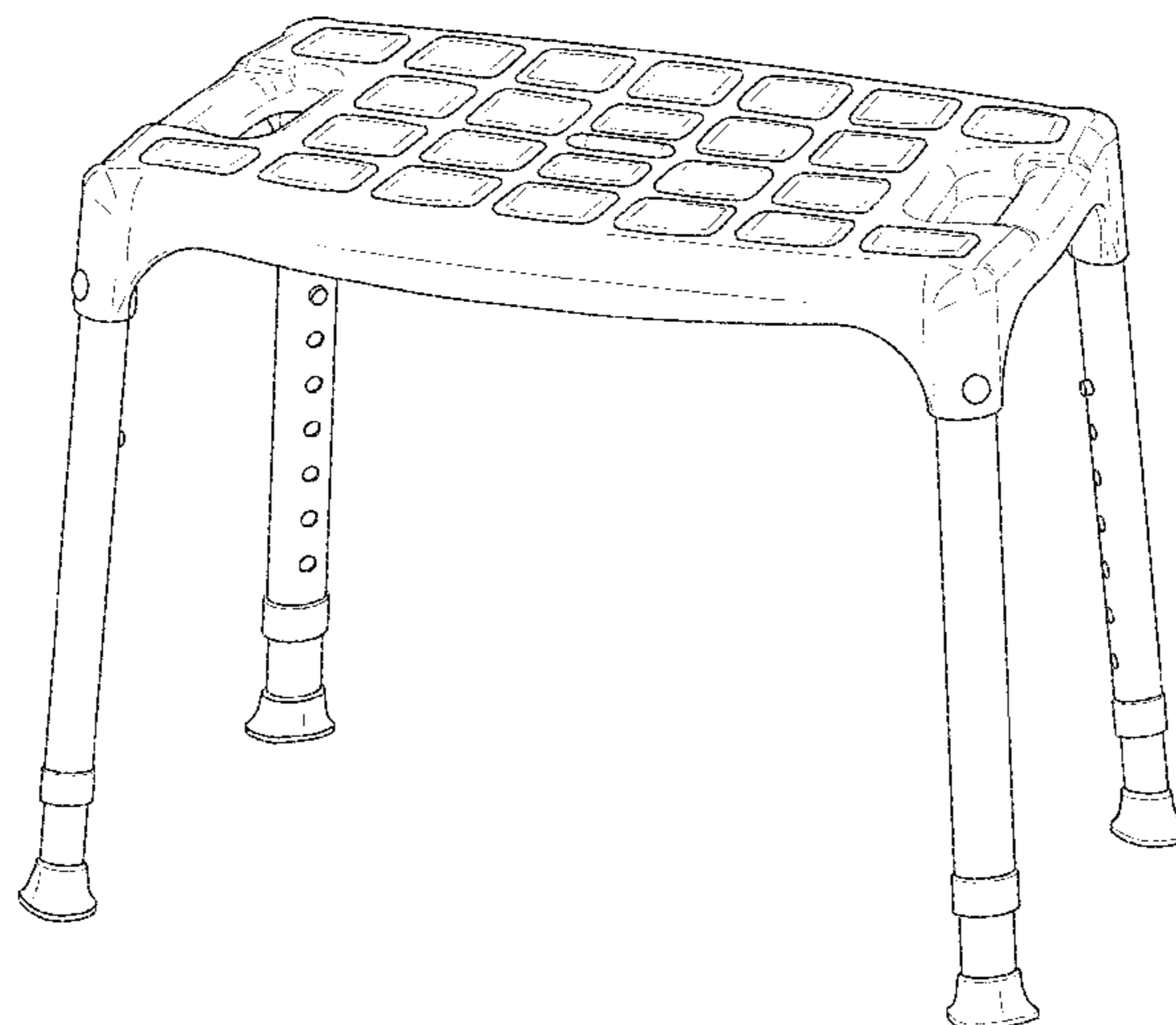
(57) **CLAIM**

I claim the ornamental design for a shower seat, as shown
and described.

DESCRIPTION

FIG. 1 is a front perspective view of a shower seat showing
my new design;
FIG. 2 is a front elevational view thereof;
FIG. 3 is a rear elevational view thereof;
FIG. 4 is a right side elevational view thereof;
FIG. 5 is a left side view thereof; and,
FIG. 6 is a top plan view thereof.

1 Claim, 6 Drawing Sheets



(56)

References Cited

U.S. PATENT DOCUMENTS

2004/0070238 A1* 4/2004 Moser A47K 3/282
297/183.9

OTHER PUBLICATIONS

Bath & Shower Seats LM Global. [online] Published on Apr. 1, 2016. Retrieved Dec. 8, 2017 from URL:<http://imglobaldesign.com/our-products/bath-seats>.*

* cited by examiner

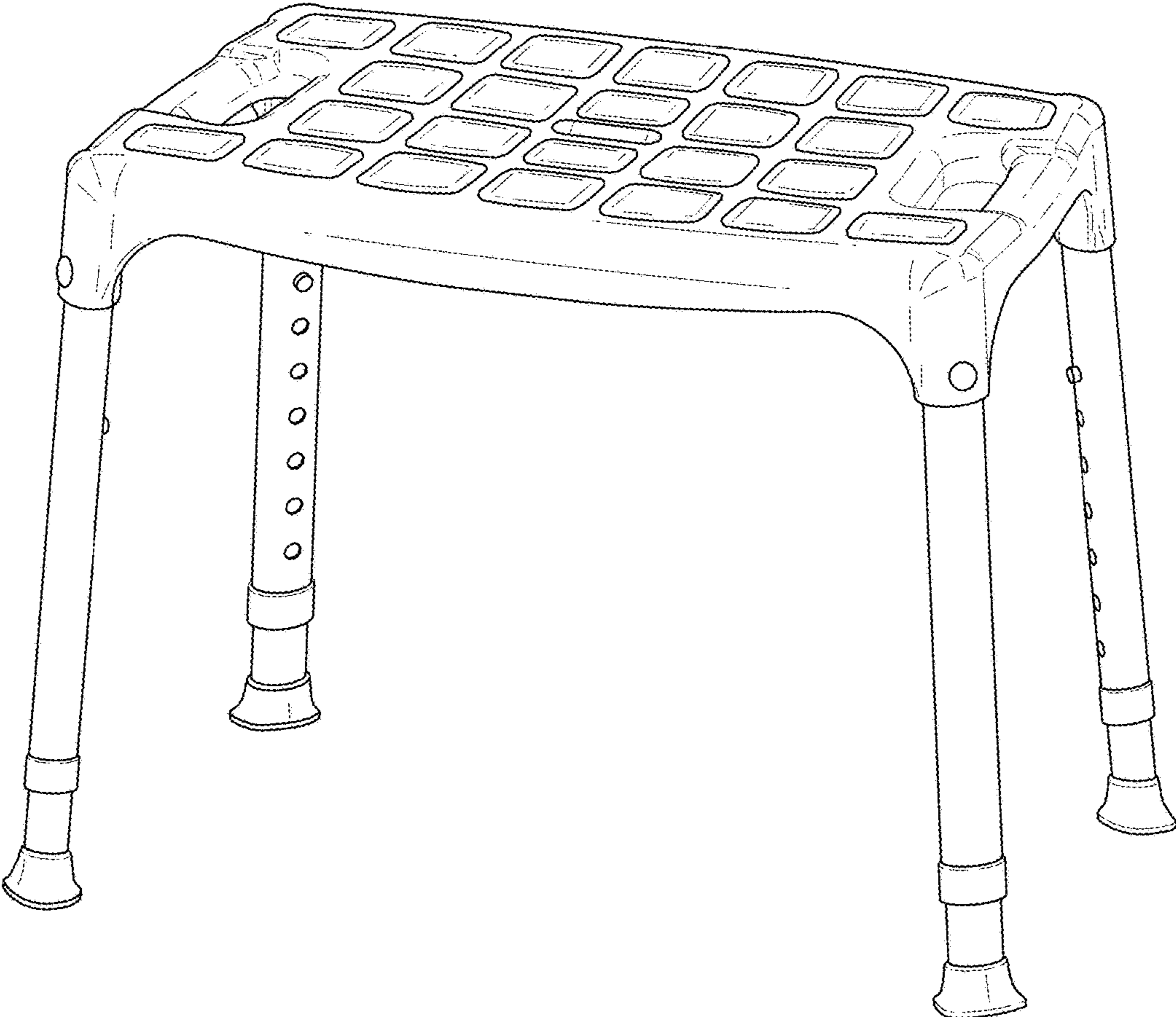


FIG. 1

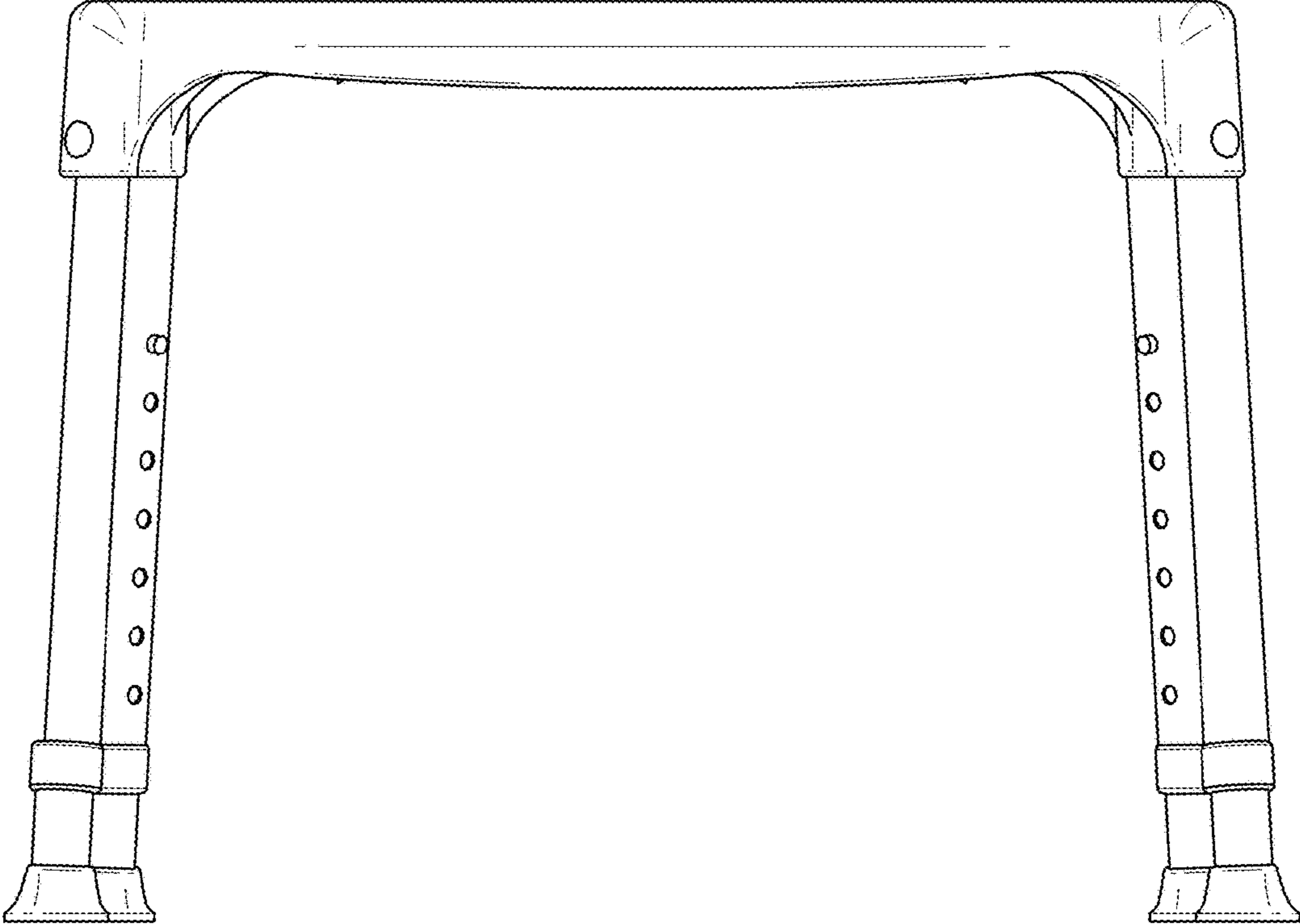


FIG. 2

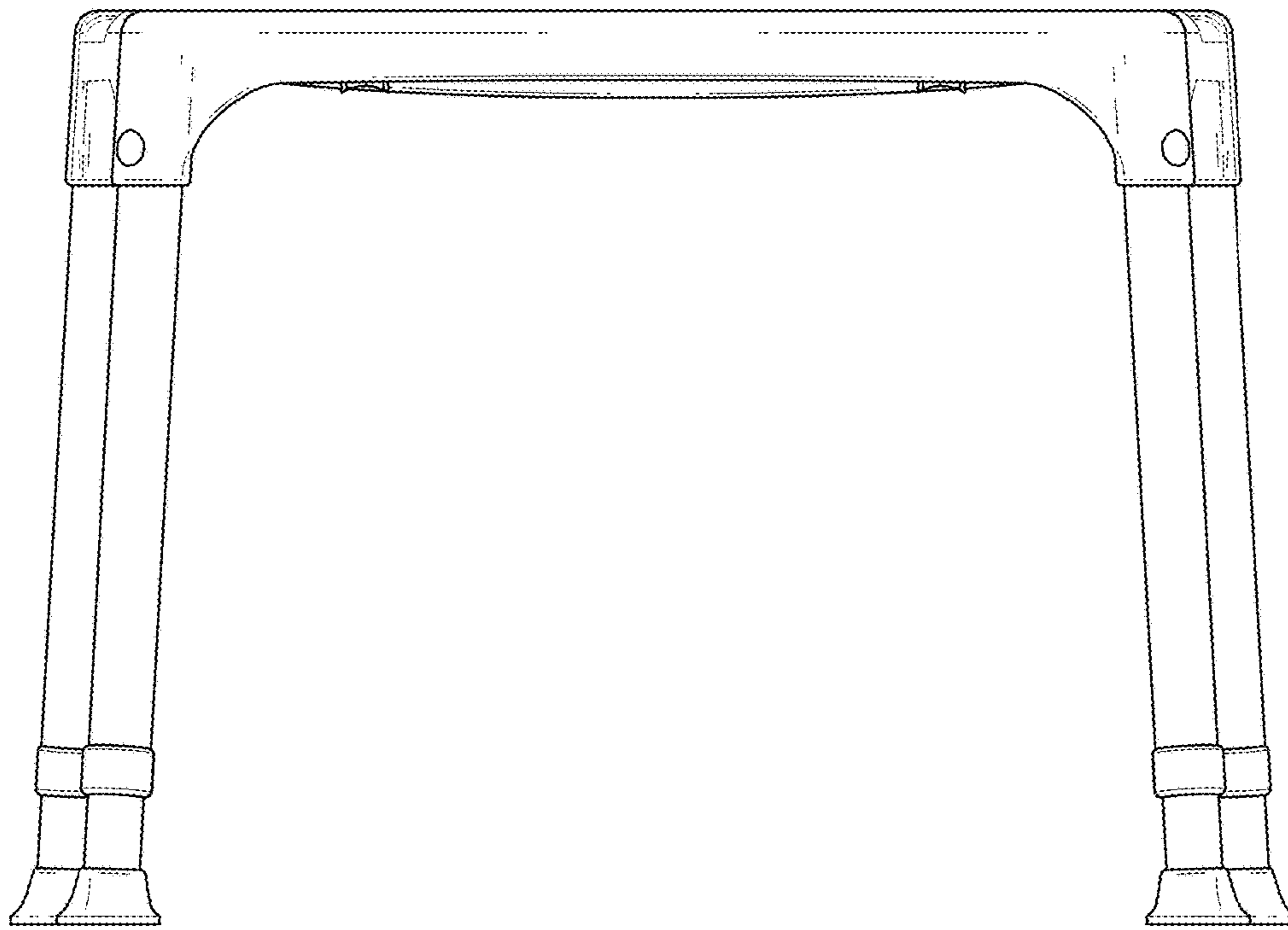


FIG. 3

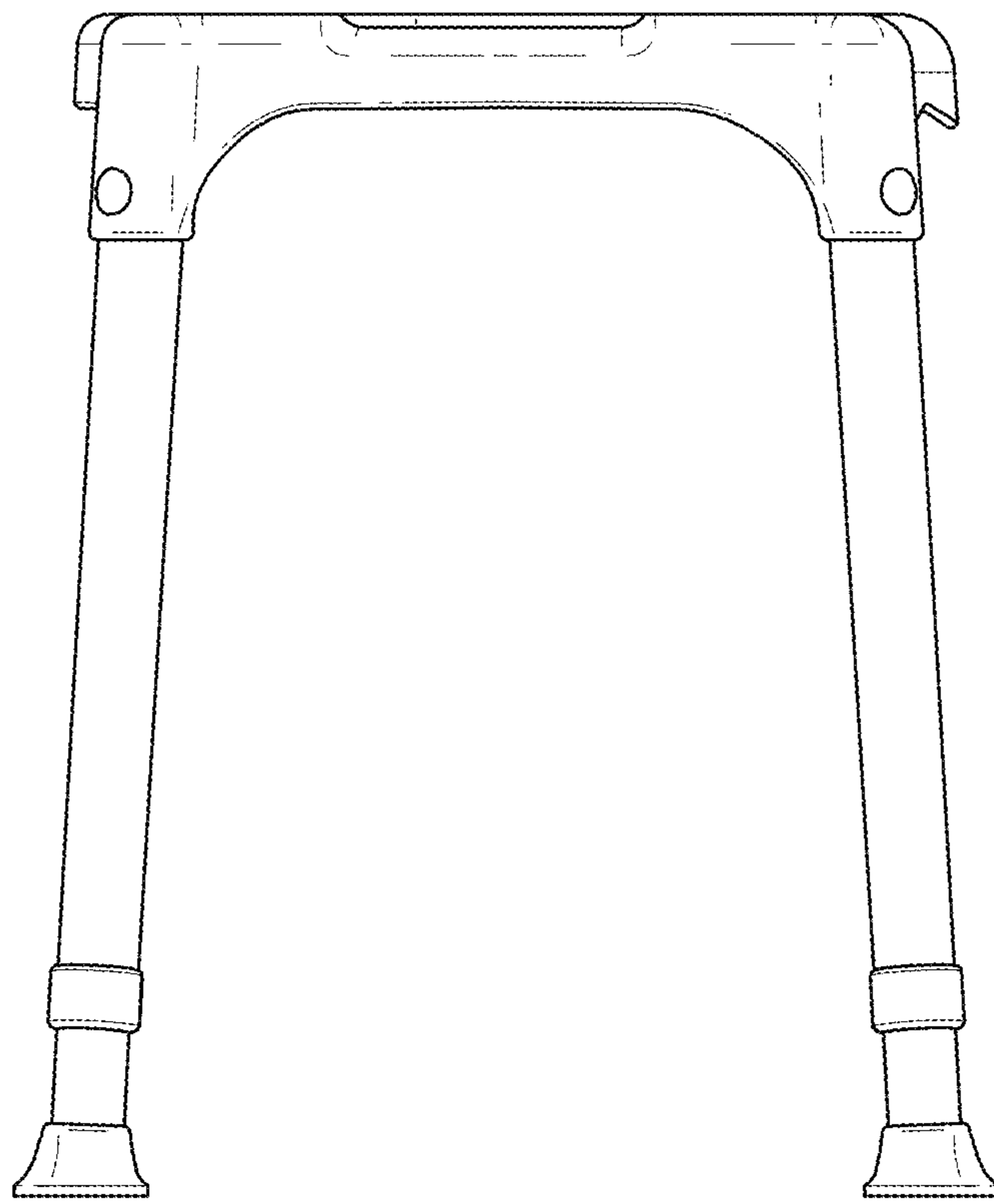


FIG.4

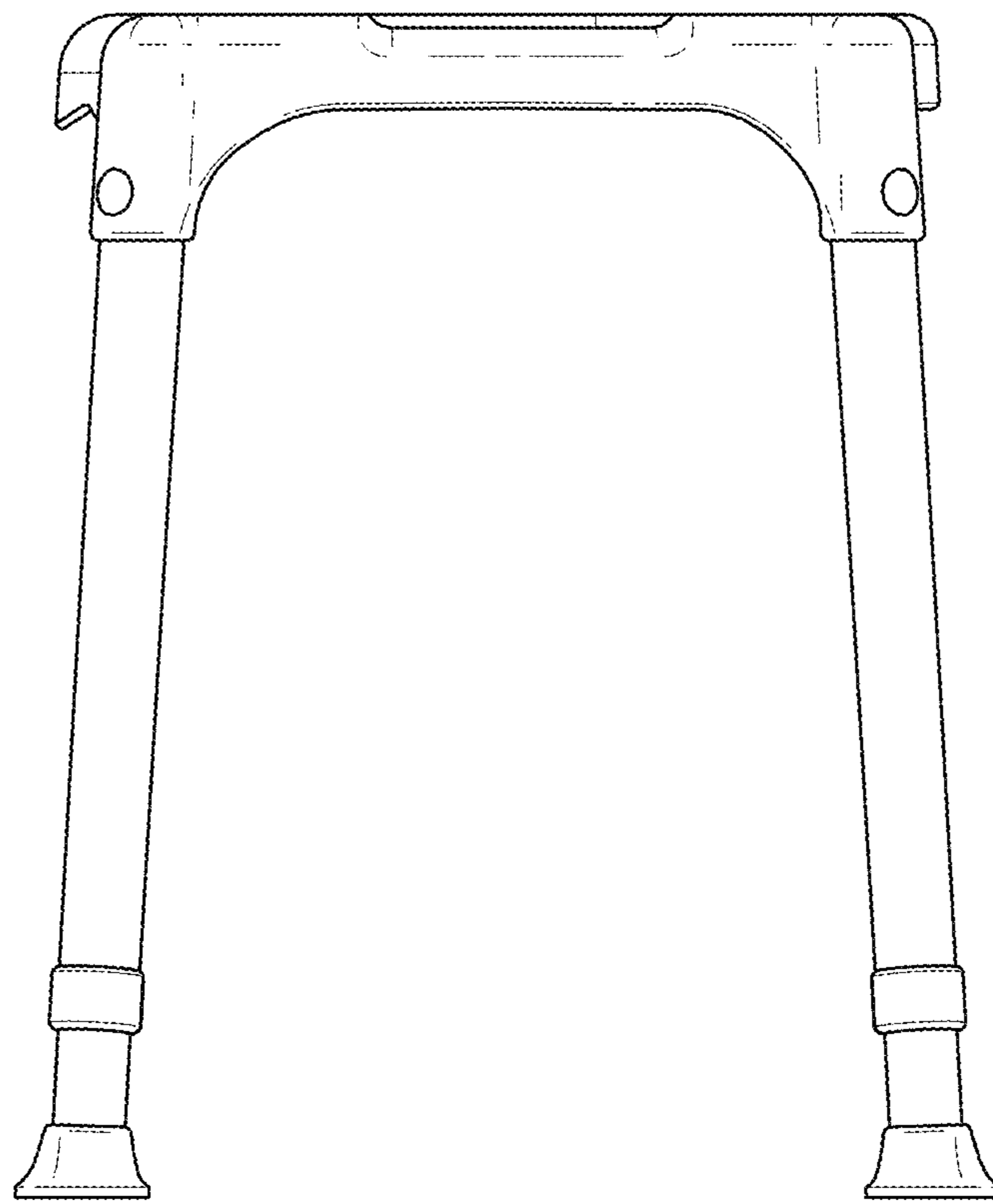


FIG. 5

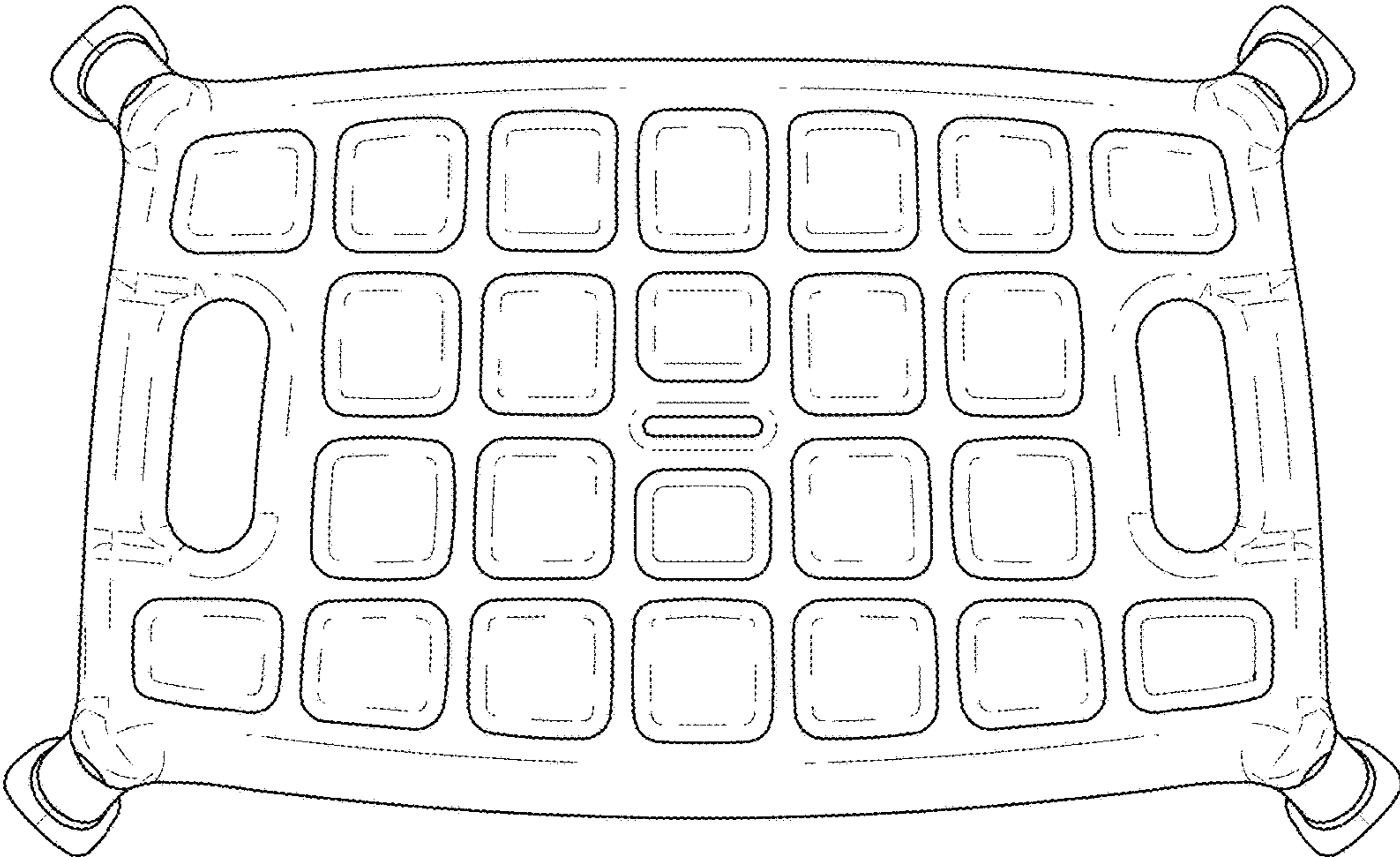


FIG.6