



US00D833762S

(12) **United States Design Patent** (10) **Patent No.:** **US D833,762 S**
Liu (45) **Date of Patent:** **** Nov. 20, 2018**

- (54) **MIRROR**
- (71) Applicant: **Shaojia Liu**, Shenzhen (CN)
- (72) Inventor: **Shaojia Liu**, Shenzhen (CN)
- (**) Term: **15 Years**
- (21) Appl. No.: **29/608,799**
- (22) Filed: **Jun. 26, 2017**
- (51) **LOC (11) Cl.** **06-07**
- (52) **U.S. Cl.**
USPC **D6/310**
- (58) **Field of Classification Search**
USPC D6/300-314
CPC A47G 1/00; A47G 1/04; G02B 5/08
See application file for complete search history.

(56) **References Cited**
U.S. PATENT DOCUMENTS

D235,689 S *	7/1975	Benty et al.	D6/308
D267,174 S *	12/1982	Fox	281/45
D292,652 S *	11/1987	Muller	D6/308
D298,087 S *	10/1988	Arce	D6/300
D330,807 S *	11/1992	Granzow	D6/301
D355,531 S *	2/1995	Lynch, Sr.	D6/301
D392,468 S *	3/1998	O'Reilly	D6/300
D543,707 S *	6/2007	Chan	D6/312

7,347,573 B1 *	3/2008	Isler	A45D 42/10 359/854
D572,024 S *	7/2008	Shapiro	D6/301
D584,516 S *	1/2009	Otomo	D6/310
D785,345 S *	5/2017	Yang	D6/310
D807,649 S *	1/2018	Zadro	D6/312
2014/0240964 A1 *	8/2014	Adachi	A45D 42/04 362/141
2016/0255941 A1 *	9/2016	Yang	A45D 42/10

* cited by examiner

Primary Examiner — Deanna L Pratt
(74) *Attorney, Agent, or Firm* — Novoclaims Patent Services LLC; Mei Lin Wong

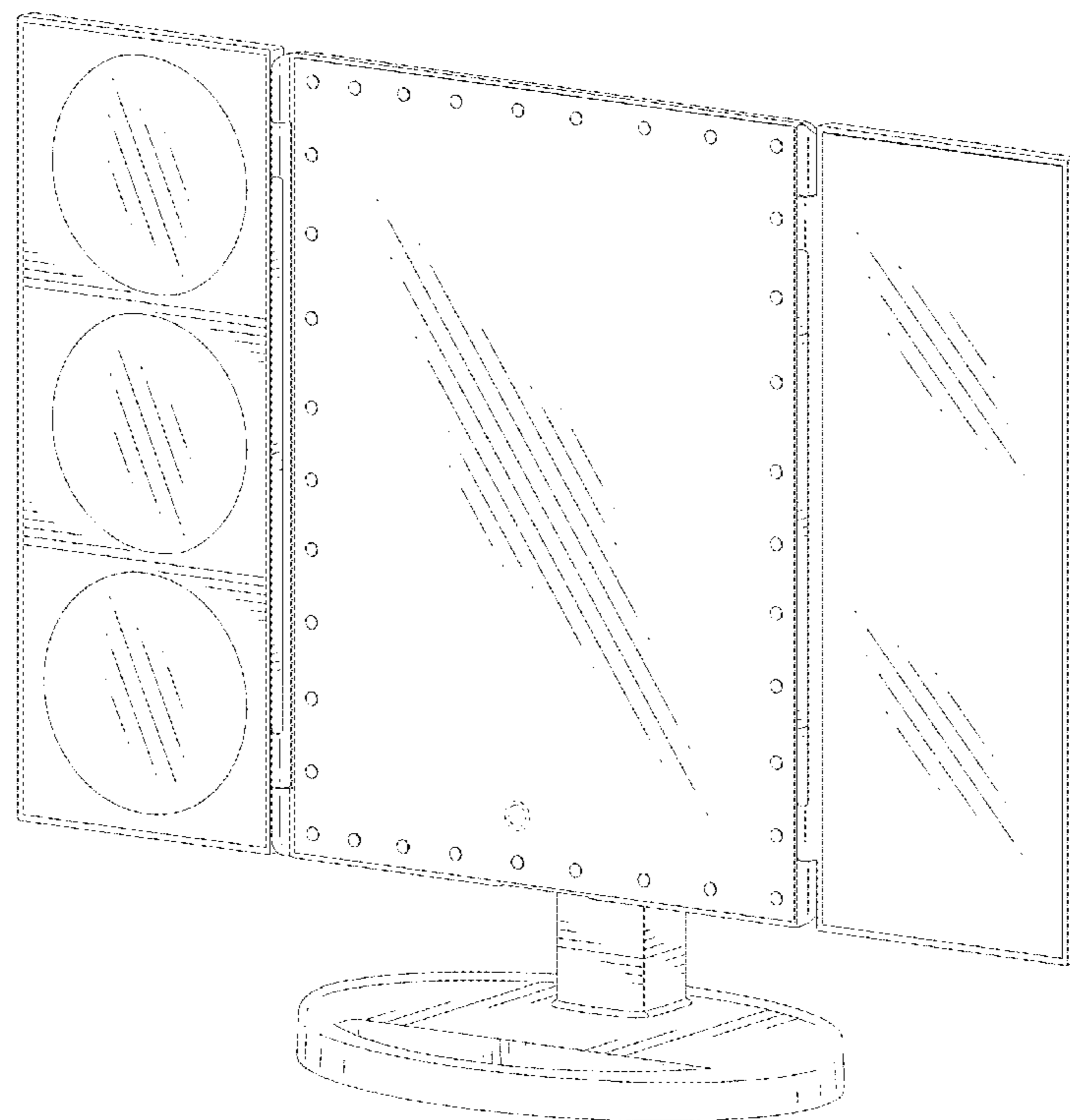
(57) **CLAIM**

The ornamental design of a mirror, as shown and described.

DESCRIPTION

FIG. 1 is a perspective view of a mirror showing my new design.
FIG. 2 is a front view thereof.
FIG. 3 is a rear view thereof.
FIG. 4 is a left side view thereof.
FIG. 5 is a right side view thereof.
FIG. 6 is a top view thereof; and,
FIG. 7 is a bottom view thereof.
The broken lines in the drawings represent unclaimed subject matter and form no part of the claim.

1 Claim, 7 Drawing Sheets



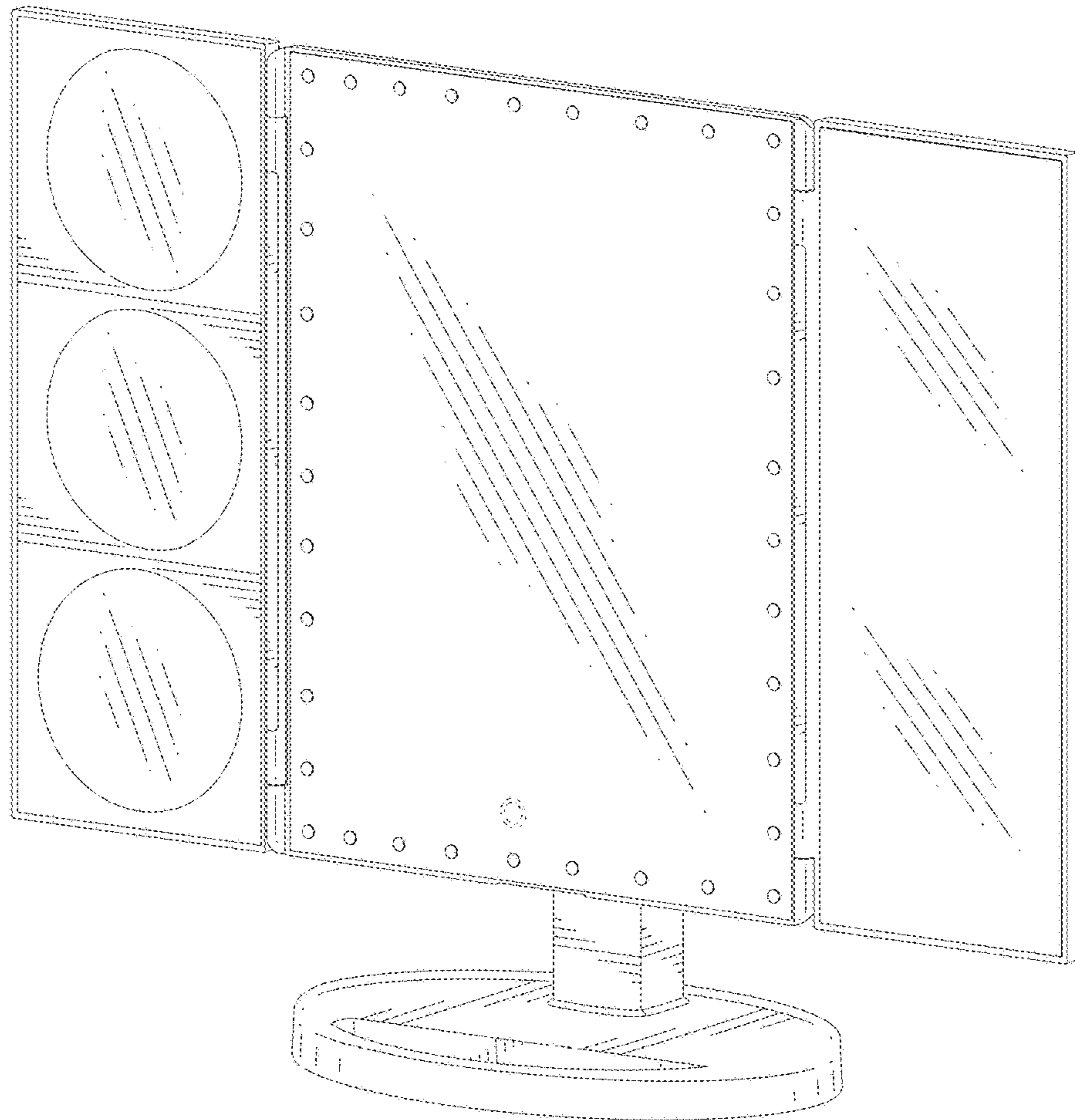


FIG.1

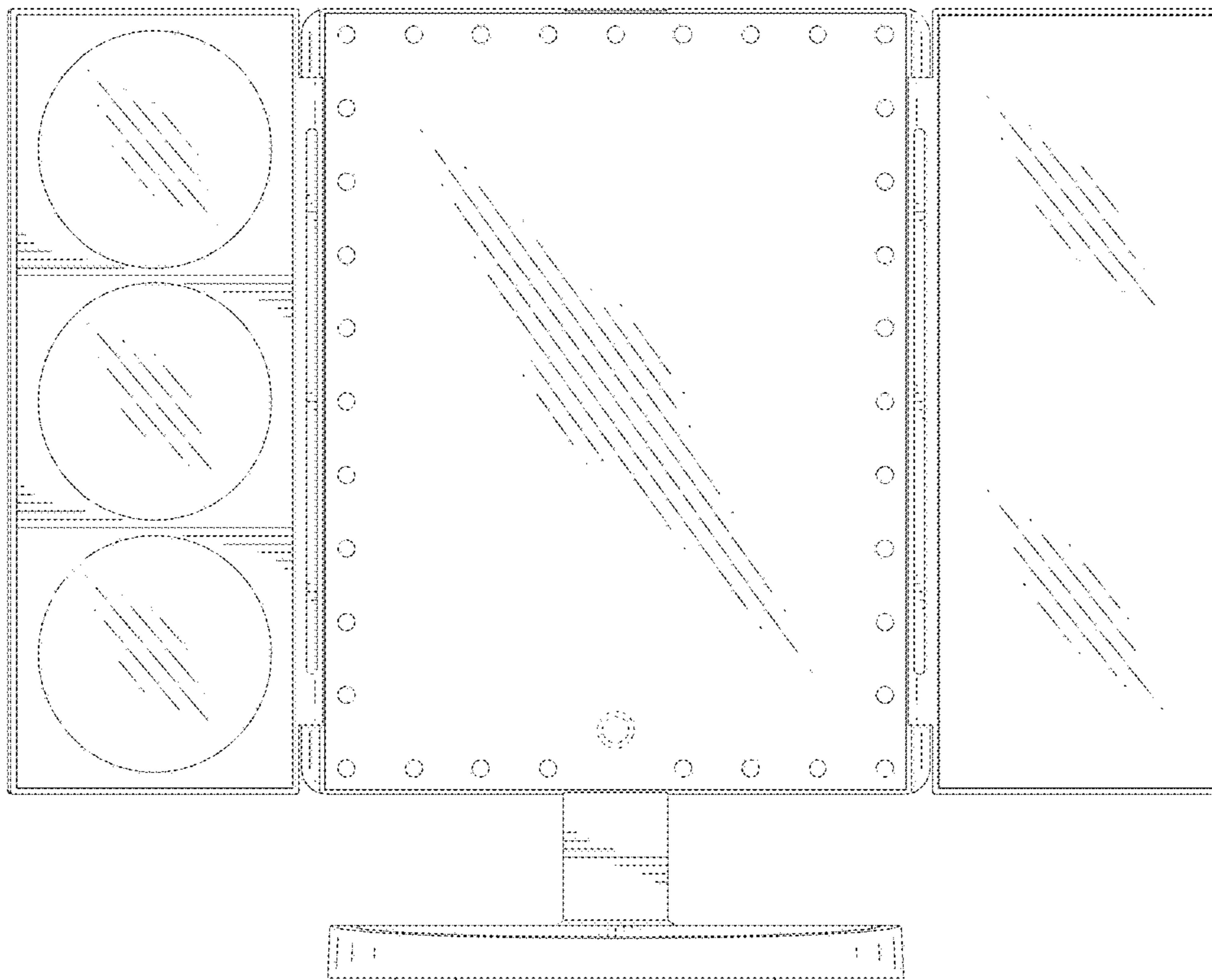


FIG.2

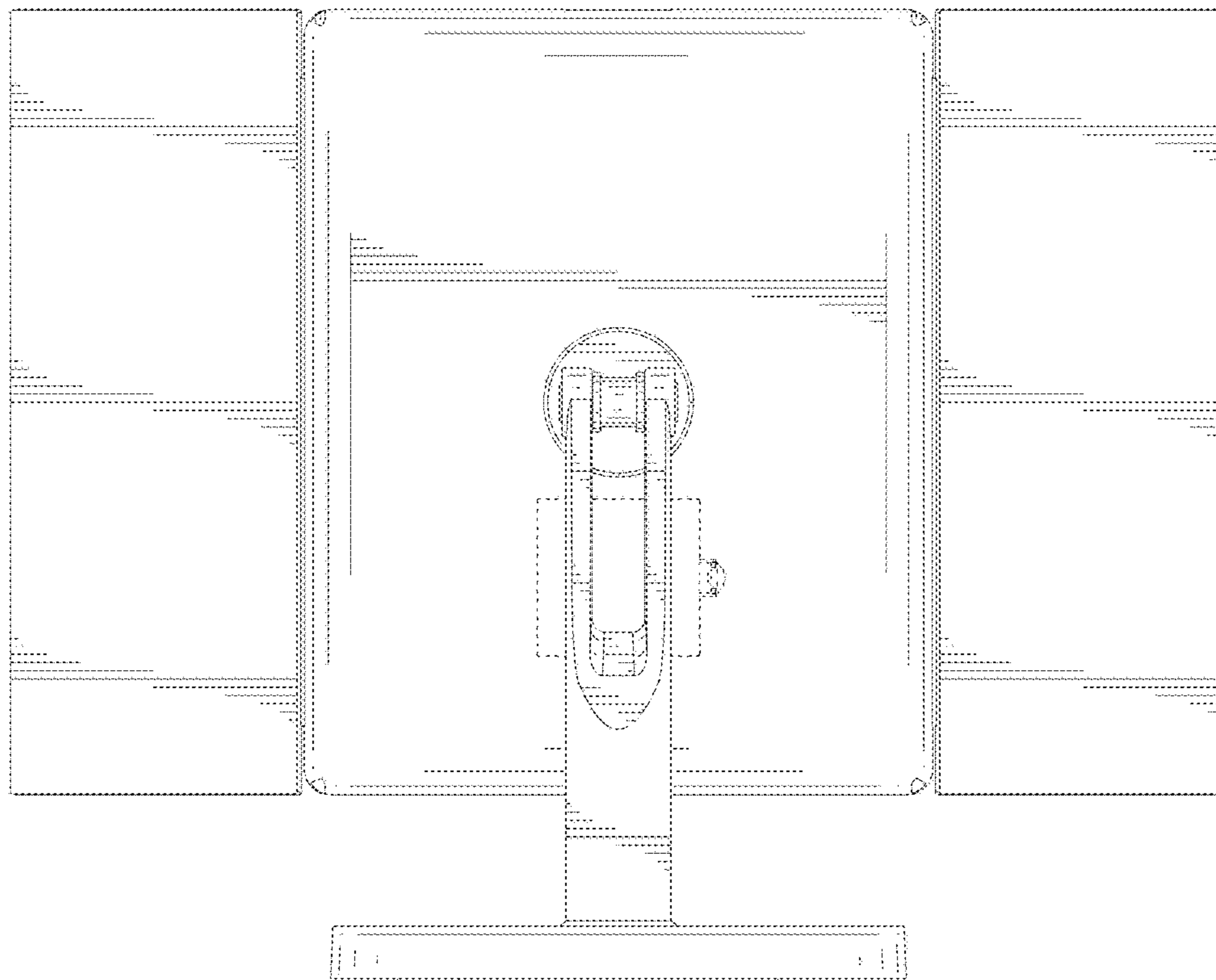


FIG.3

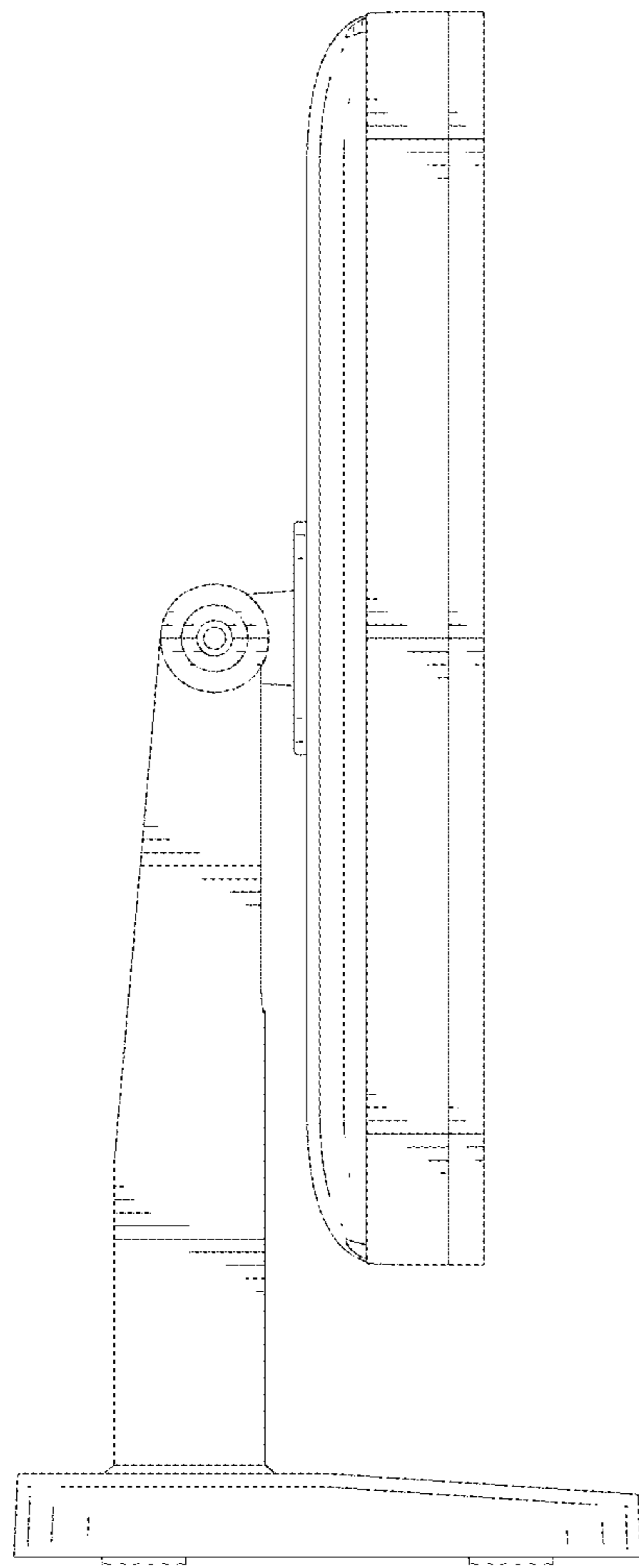


FIG.4

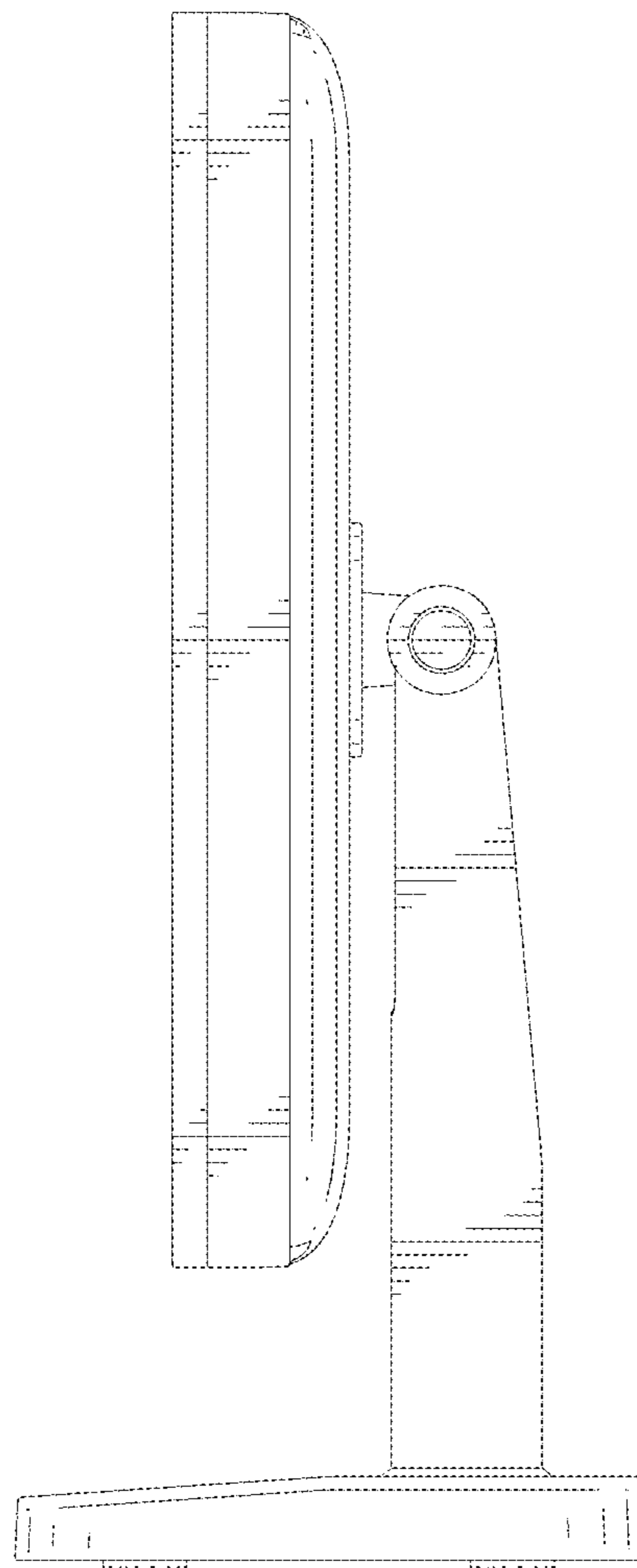


FIG.5

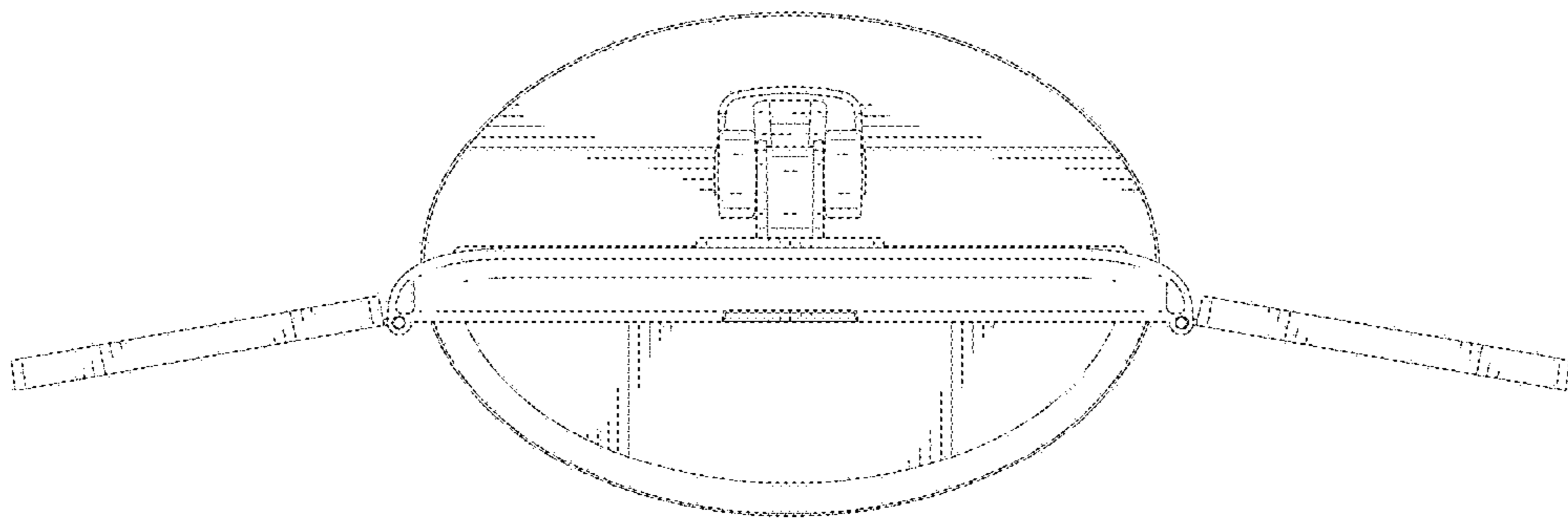


FIG.6

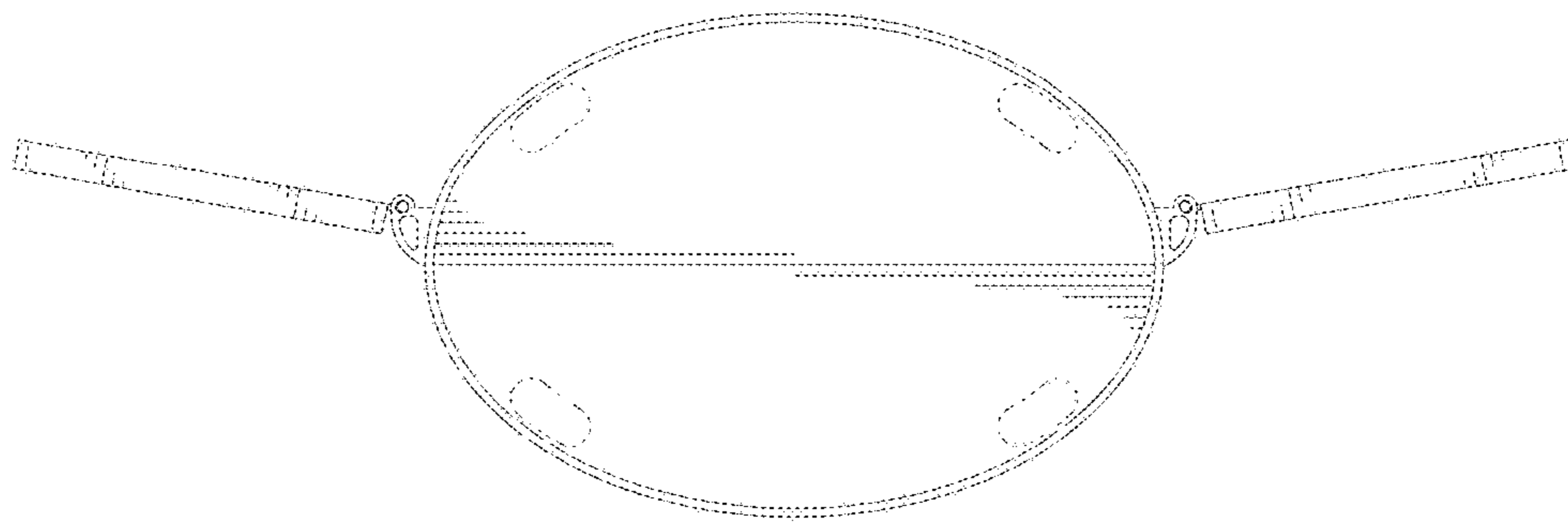


FIG.7