



US00D833755S

(12) **United States Design Patent**
Matsushita et al.

(10) **Patent No.:** **US D833,755 S**

(45) **Date of Patent:** **** Nov. 20, 2018**

(54) **POLISHING BRUSH**

(71) Applicants: **TAIMEI CHEMICALS CO., LTD.**,
Nagano (JP); **XEBEC**
TECHNOLOGY CO., LTD., Tokyo
(JP)

(72) Inventors: **Suguru Matsushita**, Nagano (JP);
Yoichi Sato, Tokyo (JP)

(73) Assignees: **TAIMEI CHEMICALS CO., LTD.**,
Nagano (JP); **XEBEC**
TECHNOLOGY CO., LTD., Tokyo
(JP)

(**) Term: **15 Years**

(21) Appl. No.: **29/588,610**

(22) Filed: **Dec. 21, 2016**

(30) **Foreign Application Priority Data**

Sep. 14, 2016 (JP) D2016-019848

(51) **LOC (11) Cl.** **04-01**

(52) **U.S. Cl.**
USPC **D4/127**

(58) **Field of Classification Search**

USPC D4/100, 101, 102, 11, 114, 115, 119,
D4/121, 122, 127, 130, 132, 137, 138;
D32/19, 25, 40, 44, 45, 51

CPC A46B 5/00; A46B 5/02; A46B 5/0033;
A46B 5/0095; A46B 7/23; A46B 9/06;
A46B 11/00; A46B 11/0006; A46B
11/0013; A46B 11/06; A46B 13/06; A46B
2200/10; A46B 2200/20; A46B 2200/30;
A46B 2200/3086; B24B 29/00; B24D
13/14; B29C 2073/262

See application file for complete search history.

(56) **References Cited**

U.S. PATENT DOCUMENTS

D197,458 S * 2/1964 Bucknell D4/115
D234,552 S * 3/1975 Beattie D4/115

D287,668 S * 1/1987 Keddie D4/115
D370,124 S * 5/1996 Chamieh D4/115
D417,961 S * 12/1999 Powis, Jr. D4/127
D668,052 S * 10/2012 Maxwell D4/114
D699,037 S * 2/2014 Morrison D4/127
D715,558 S * 10/2014 Brewer D4/102

(Continued)

OTHER PUBLICATIONS

XEBEX Brush Surface Extra-Large, [on-line]; [Internet publication date unknown]; [retrieved from the Internet on Jan. 4, 2018]; URL: https://www.xebec-tech.co.jp/en/support/cf/large_cf.html. (2 pgs. (Year: 2018).*

(Continued)

Primary Examiner — Karen S Acker

Assistant Examiner — Jasmine Mlinarcik

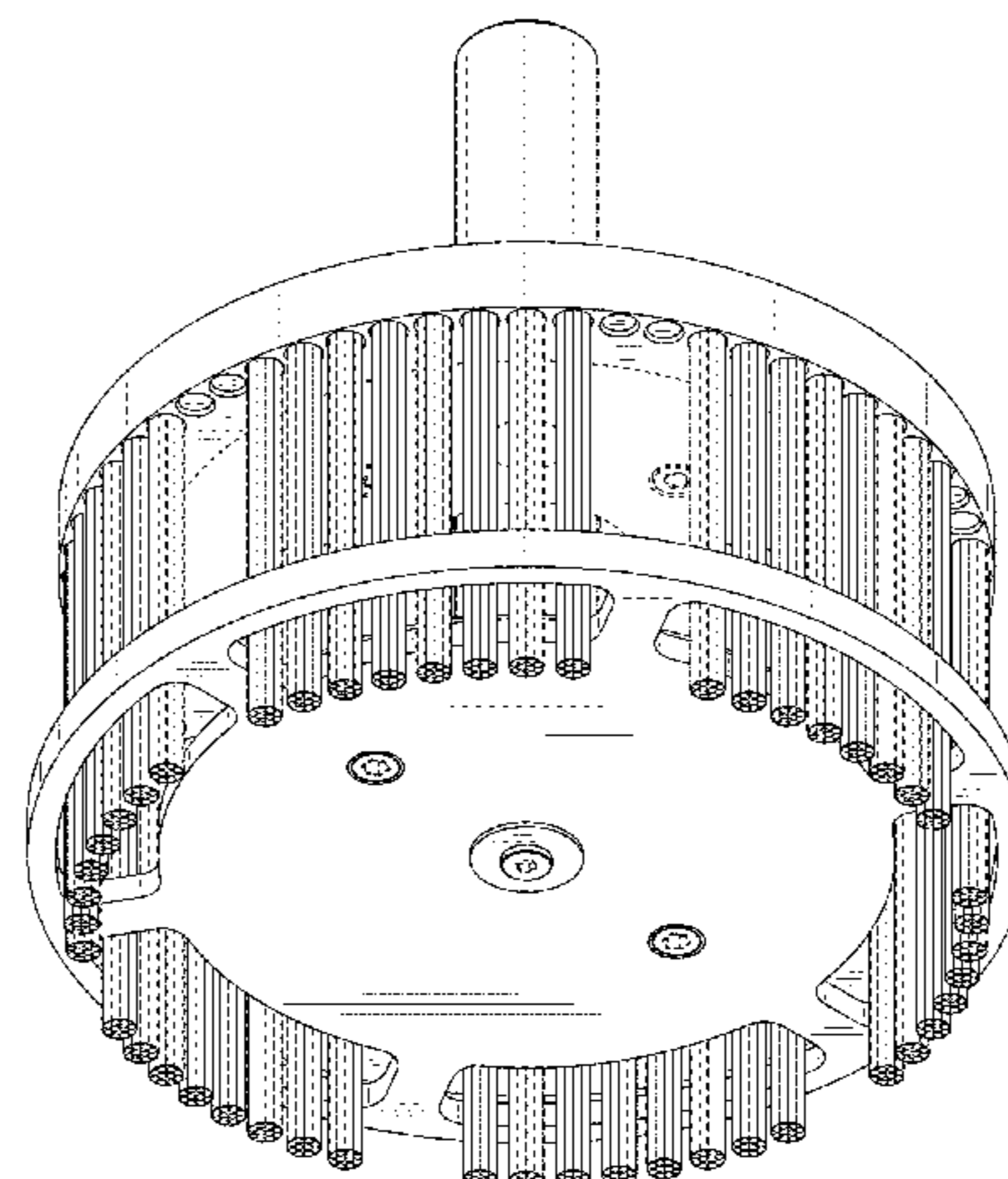
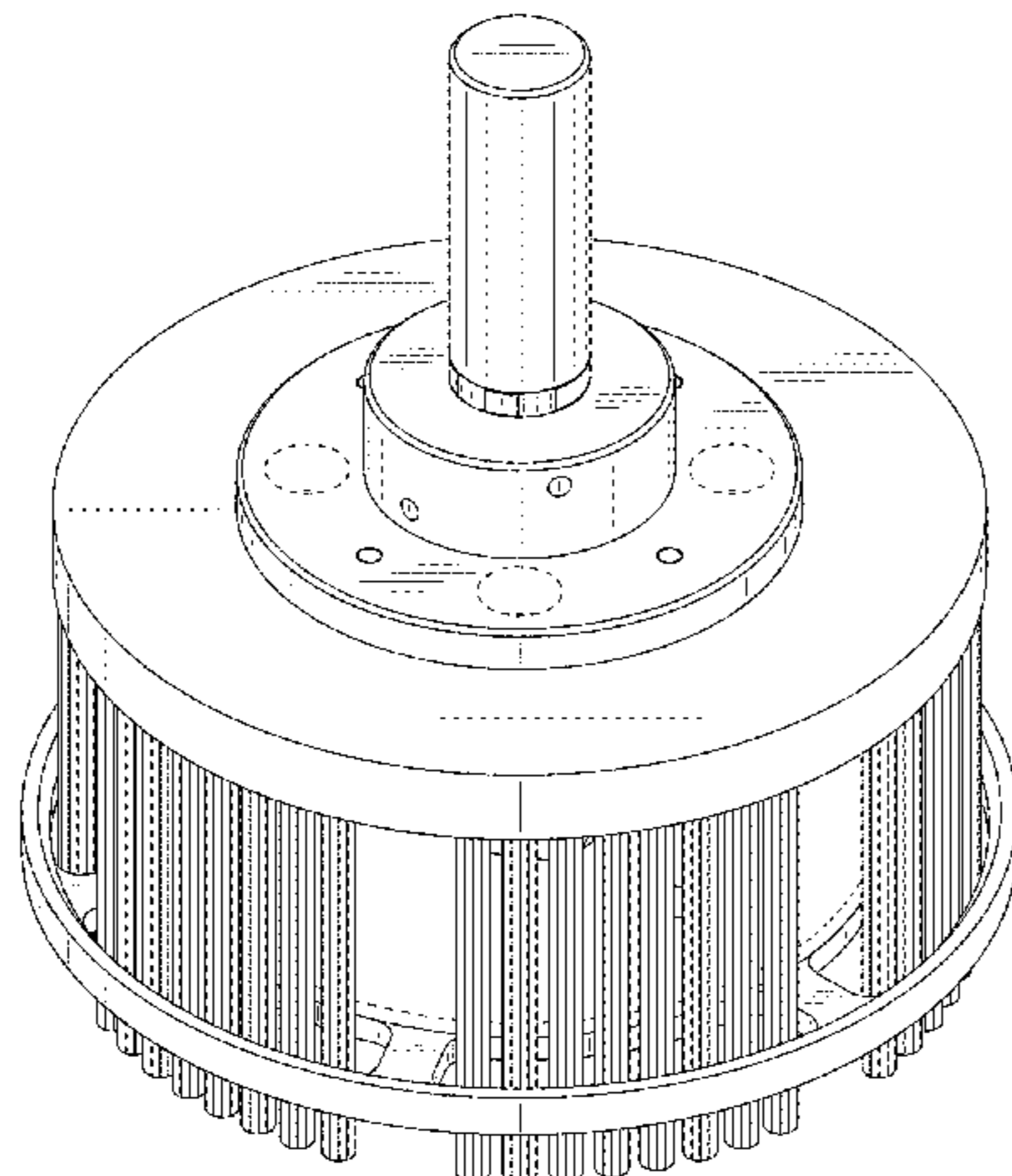
(57) **CLAIM**

The ornamental design for a polishing brush, as shown and described.

DESCRIPTION

FIG. 1 is a front elevational view of a polishing brush showing our new design;
FIG. 2 is a rear elevational view thereof;
FIG. 3 is a left side elevational view thereof, a right side view thereof being a mirror image of the left elevational side view thereof;
FIG. 4 is a top plan view thereof;
FIG. 5 is a bottom plan view thereof;
FIG. 6 is a front right top perspective view thereof; and,
FIG. 7 is a front left bottom perspective view thereof.
The broken lines in the drawings and the areas within broken lines illustrate portions of the polishing brush that form no part of the claimed design.

1 Claim, 7 Drawing Sheets



(56)

References Cited

U.S. PATENT DOCUMENTS

D728,943 S * 5/2015 Carpentier D4/102
D743,174 S * 11/2015 von Berg D4/102
D770,777 S * 11/2016 Weeks D4/115
2003/0200616 A1 * 10/2003 Chih A46B 9/06
15/29
2016/0214228 A1 * 7/2016 Matsushita A46B 7/048

OTHER PUBLICATIONS

XEBEC Brush Surface Extra Large Processing Movie, [on-line];
[posted to the Internet on Jul. 7, 2016]; [retrieved from the Internet
on Jan. 4, 2018]; URL: <https://www.youtube.com/watch?v=4jfr2uy2XwU>. (2 pgs). (Year: 2016).*

* cited by examiner

FIG.1

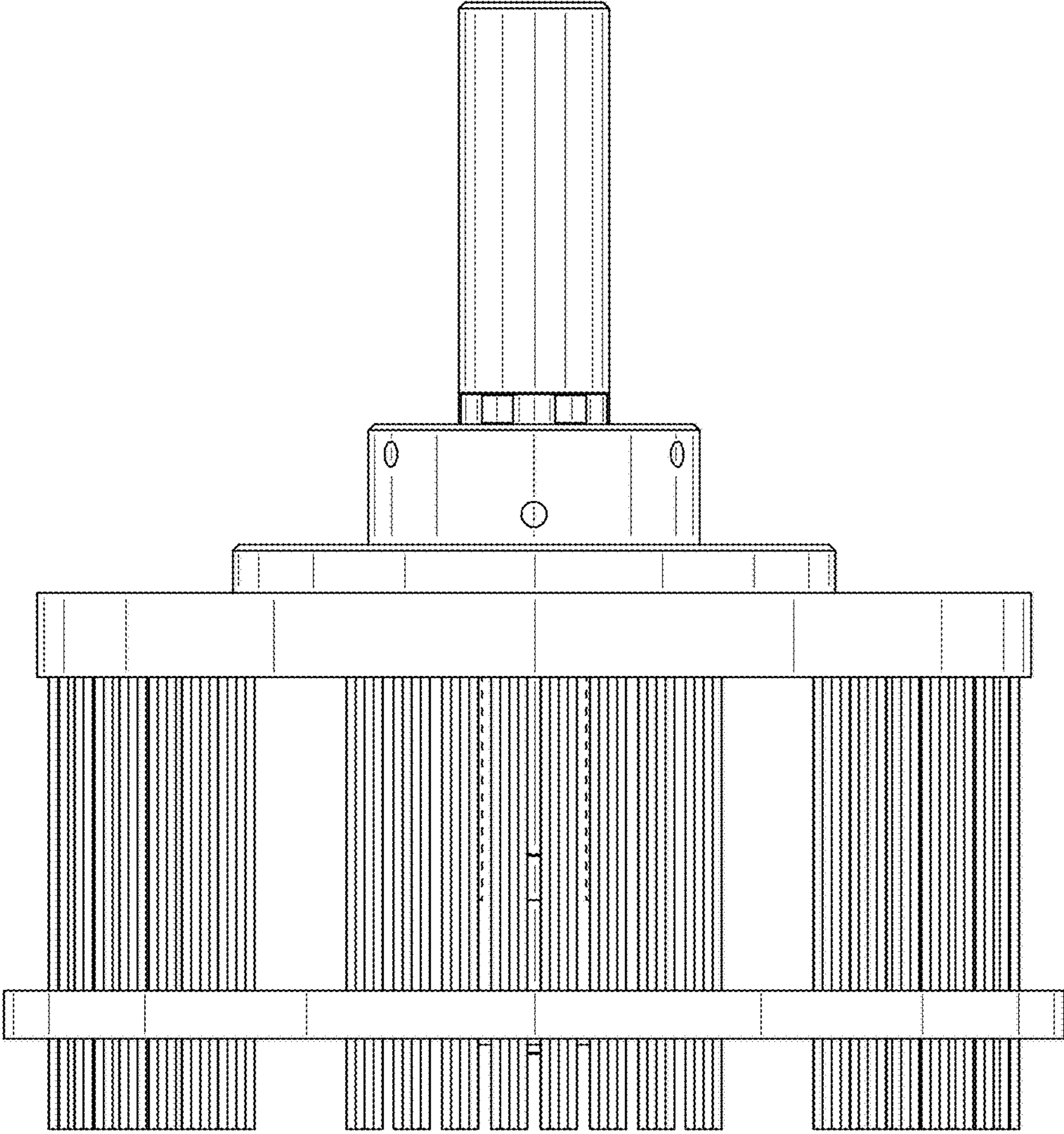


FIG.2

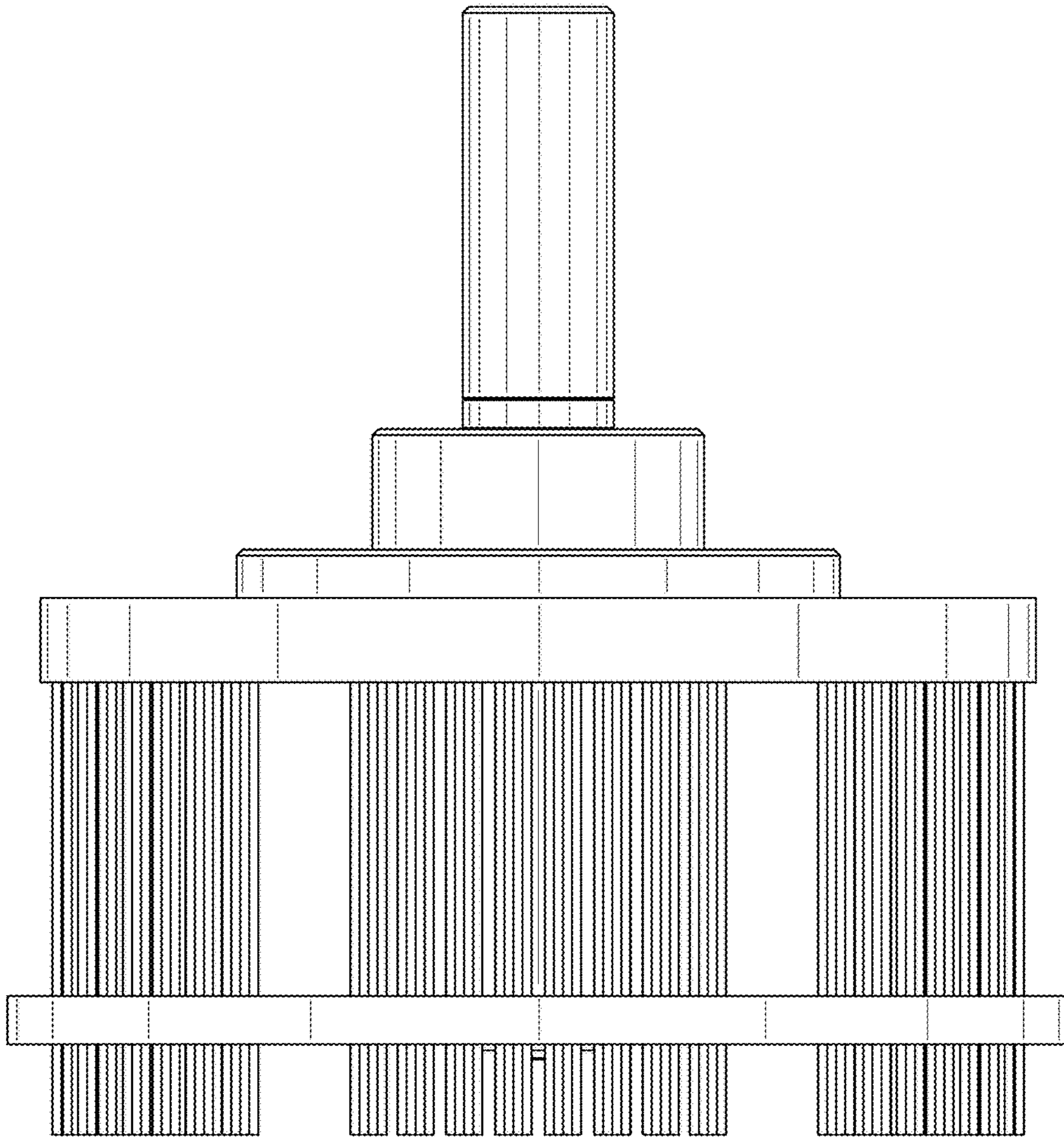


FIG.3

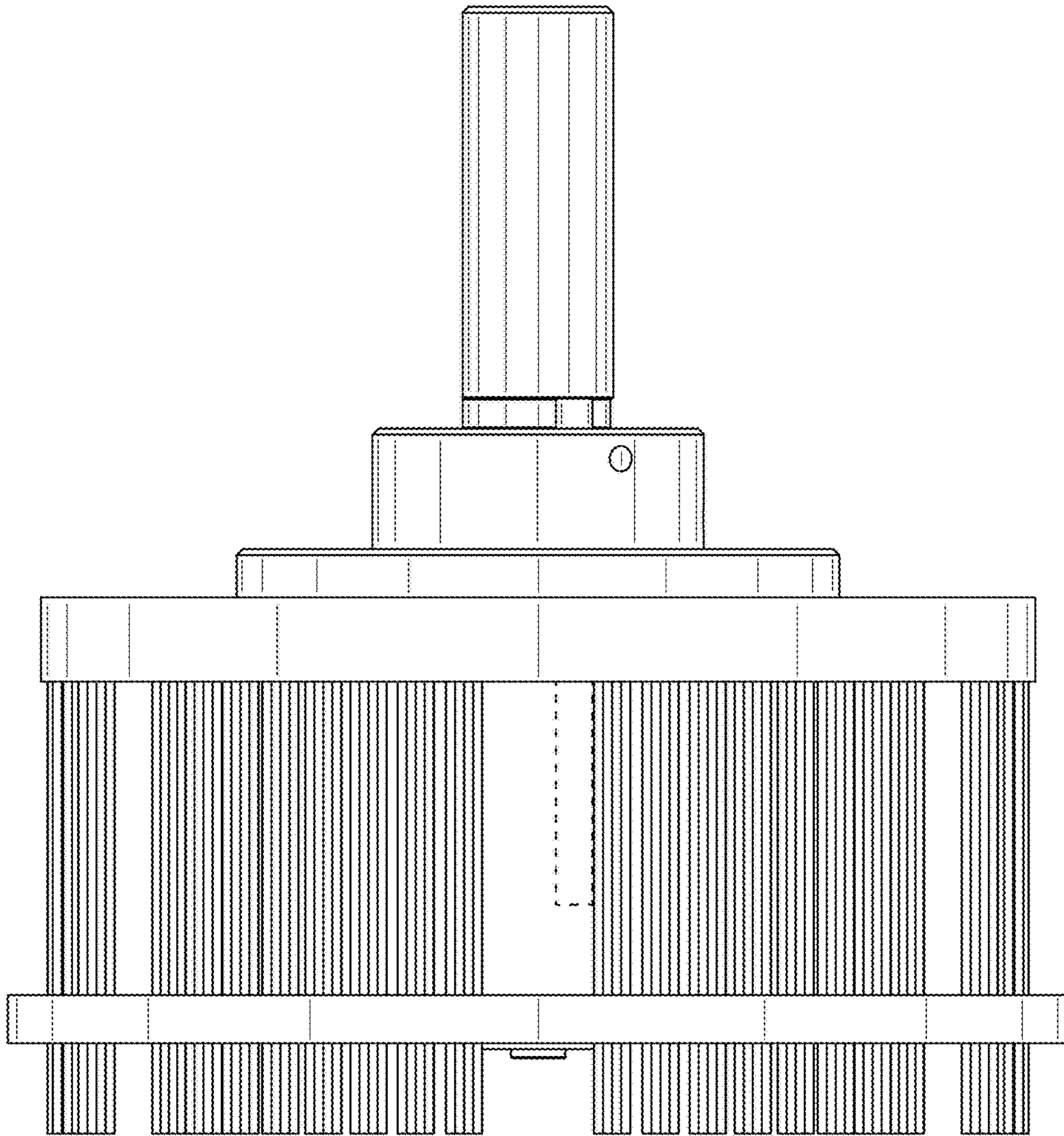


FIG.4

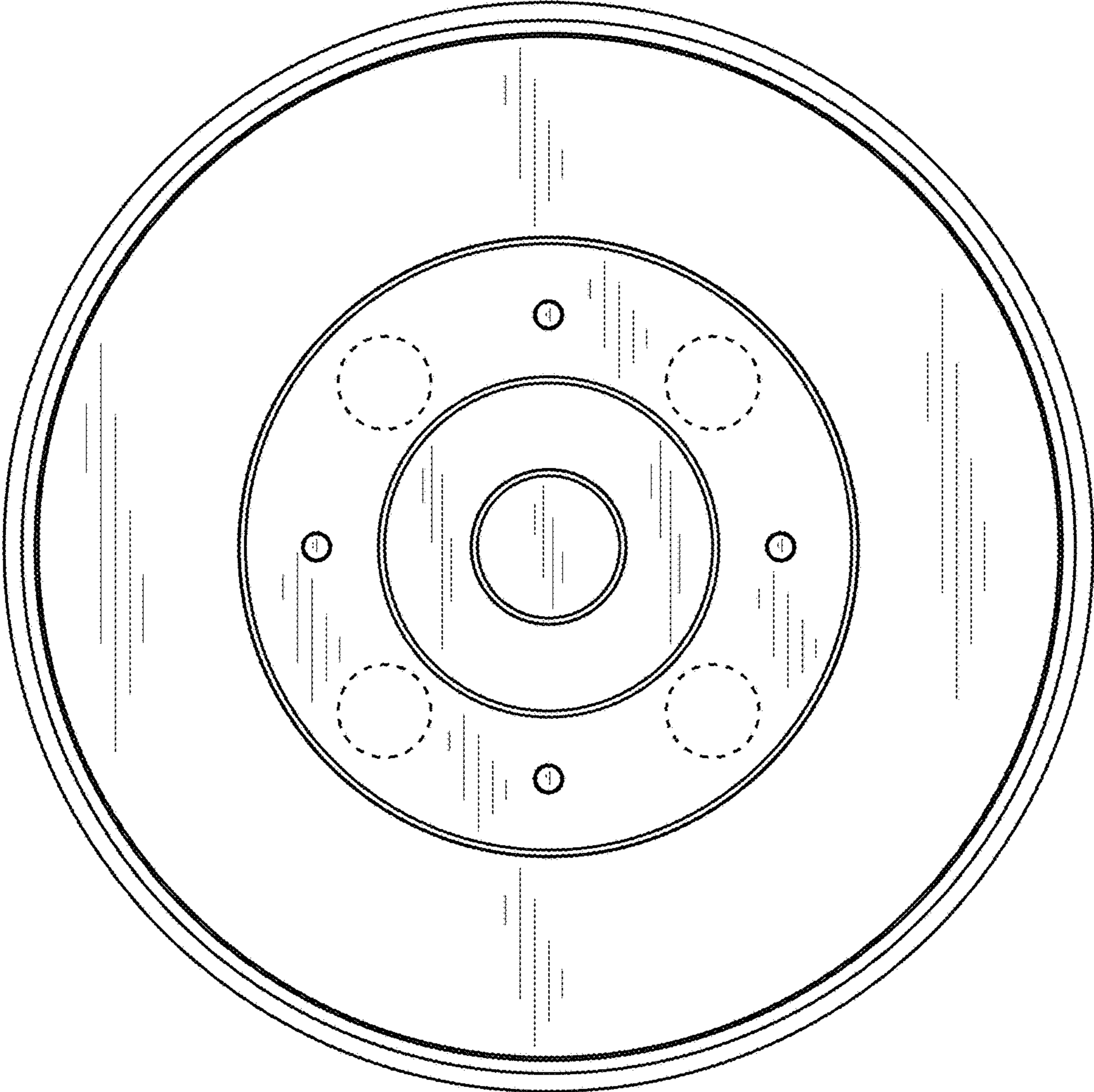


FIG.5

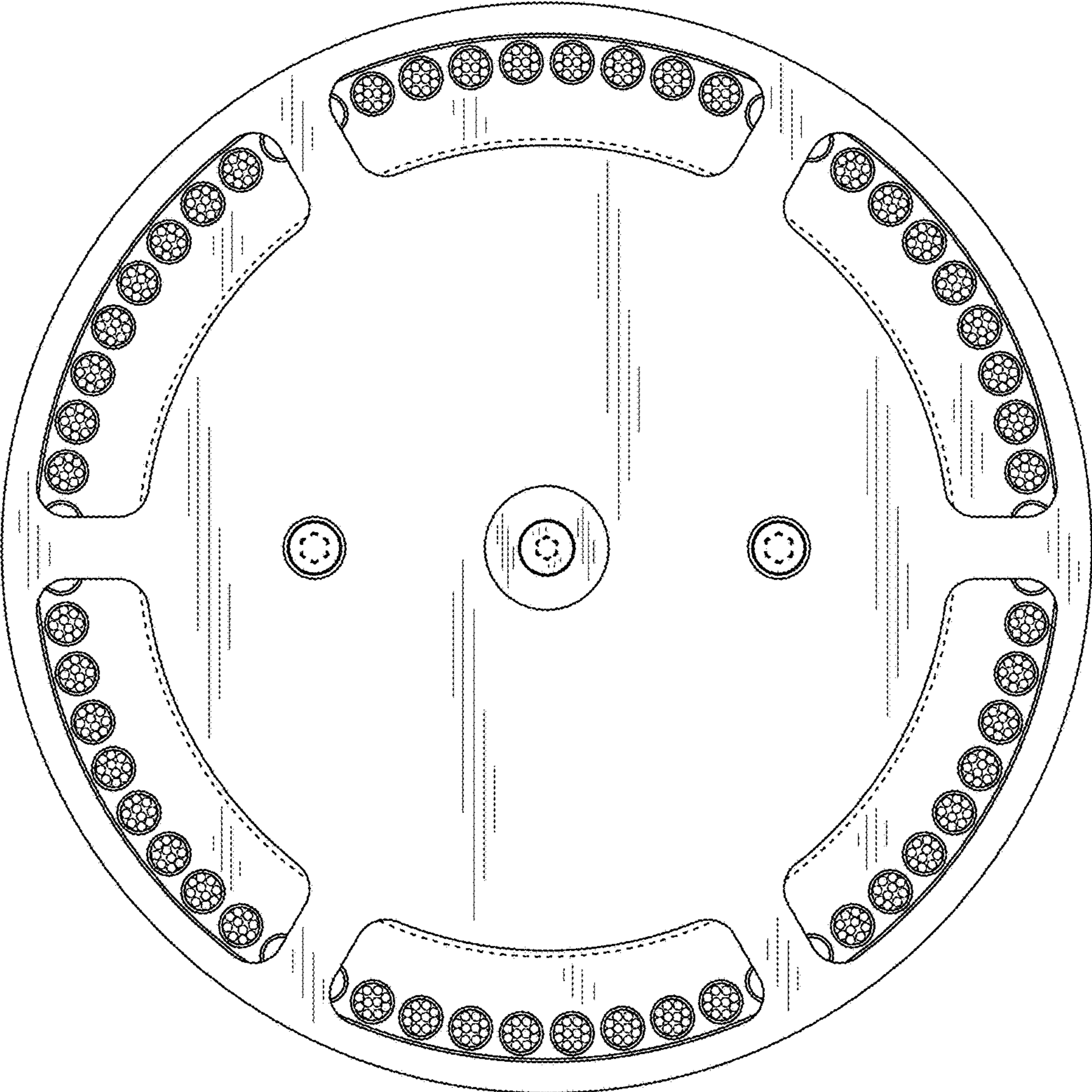


FIG.6

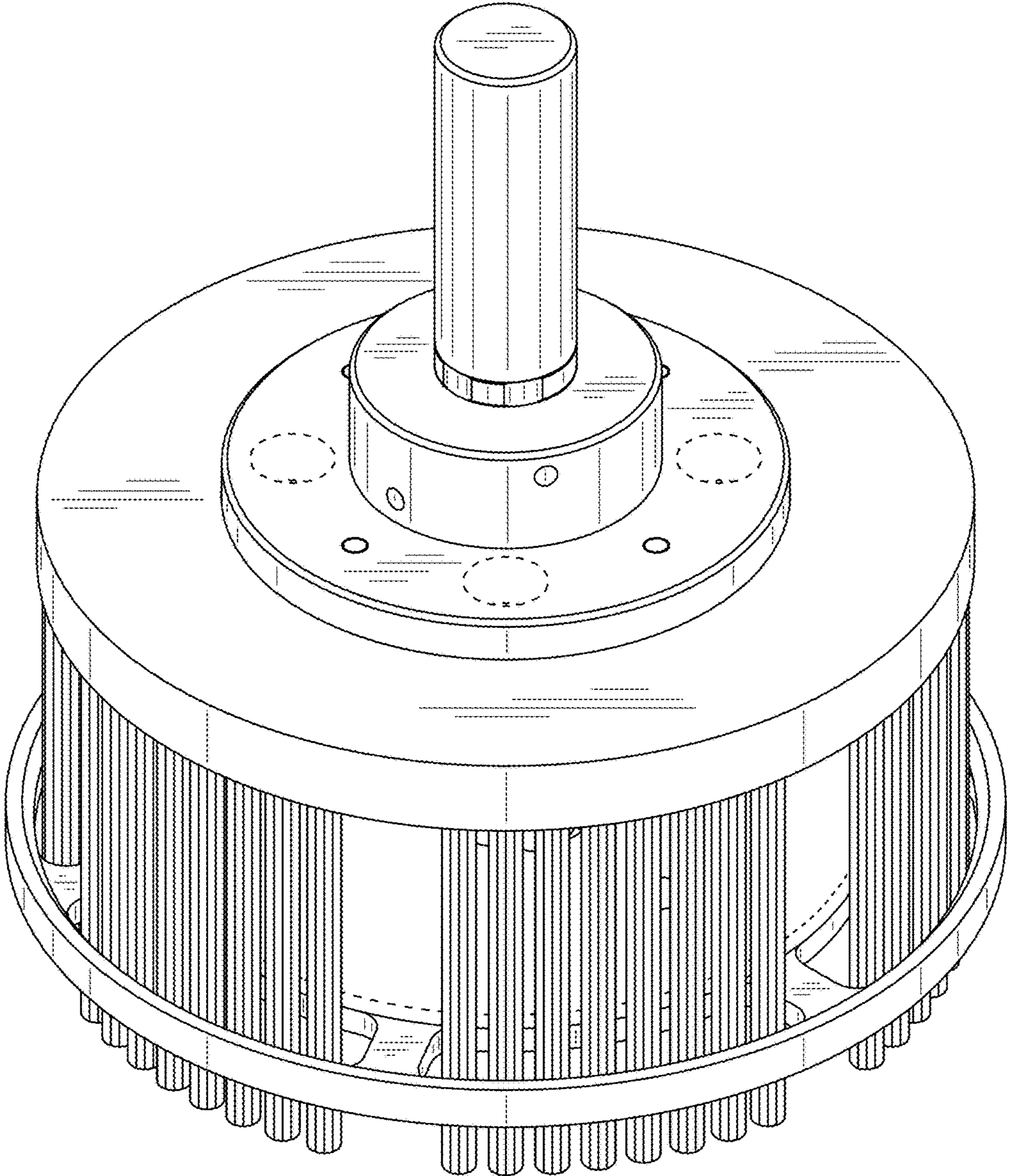


FIG.7

