



US00D833753S

(12) **United States Design Patent**
Axelrod et al.

(10) **Patent No.:** **US D833,753 S**

(45) **Date of Patent:** **** Nov. 20, 2018**

(54) **FOUR-HEADED GROOMING TOOL**

(71) Applicant: **FOUR PAWS PRODUCTS, LTD.**,
Neptune City, NJ (US)

(72) Inventors: **Glen S. Axelrod**, Colts Neck, NJ (US);
Ajay Gajria, Maharashtra (IN); **Nancy S. Rivadeneira**, Union, NJ (US)

(73) Assignee: **FOUR PAWS PRODUCTS, LTD.**,
Neptune City, NJ (US)

(**) Term: **15 Years**

(21) Appl. No.: **29/592,325**

(22) Filed: **Jan. 30, 2017**

(51) **LOC (11) Cl.** **04-01**

(52) **U.S. Cl.**
USPC **D4/119**

(58) **Field of Classification Search**
USPC D4/119, 100, 128, 125, 107, 133, 136,
D4/117; D30/158, 160; D28/63, 30, 20;
D32/35; 15/195, 160, 167.1
CPC A46B 11/0041; A46B 9/045; A46B 9/06;
A47K 7/026
See application file for complete search history.

(56) **References Cited**

U.S. PATENT DOCUMENTS

D152,203 S * 12/1948 Mayer D4/133
4,722,111 A * 2/1988 Brodey A46B 9/06
15/195
D451,244 S * 11/2001 Chen D28/20
6,405,400 B1 * 6/2002 McClain A47K 7/026
15/160
D466,306 S * 12/2002 Skwarek D4/117
D472,052 S * 3/2003 Park D4/119
D473,717 S * 4/2003 Park D4/120
D499,885 S * 12/2004 Xi D4/107
D509,032 S 8/2005 Dunn et al.

D513,443 S * 1/2006 Ng D28/63
D529,667 S * 10/2006 Axelrod D30/160
D531,365 S * 10/2006 Axelrod D30/160
D631,604 S * 1/2011 Michaels D28/30
D646,034 S * 9/2011 Scott, Sr. D32/35
D671,281 S * 11/2012 Singer D30/158
8,572,794 B2 * 11/2013 Pate A46B 9/045
15/167.1
D710,112 S * 8/2014 Dunn D4/125
D724,849 S * 3/2015 Schuler D4/133
D783,292 S * 4/2017 Chang D4/128
D808,658 S * 1/2018 Sophie D4/100
D808,660 S * 1/2018 Kresge D4/128
D817,007 S * 5/2018 Guy-Rabi A46B 9/06
D4/136

(Continued)

Primary Examiner — Rhea Shields

(74) *Attorney, Agent, or Firm* — Grossman, Tucker,
Perreault & Pflieger, PLLC

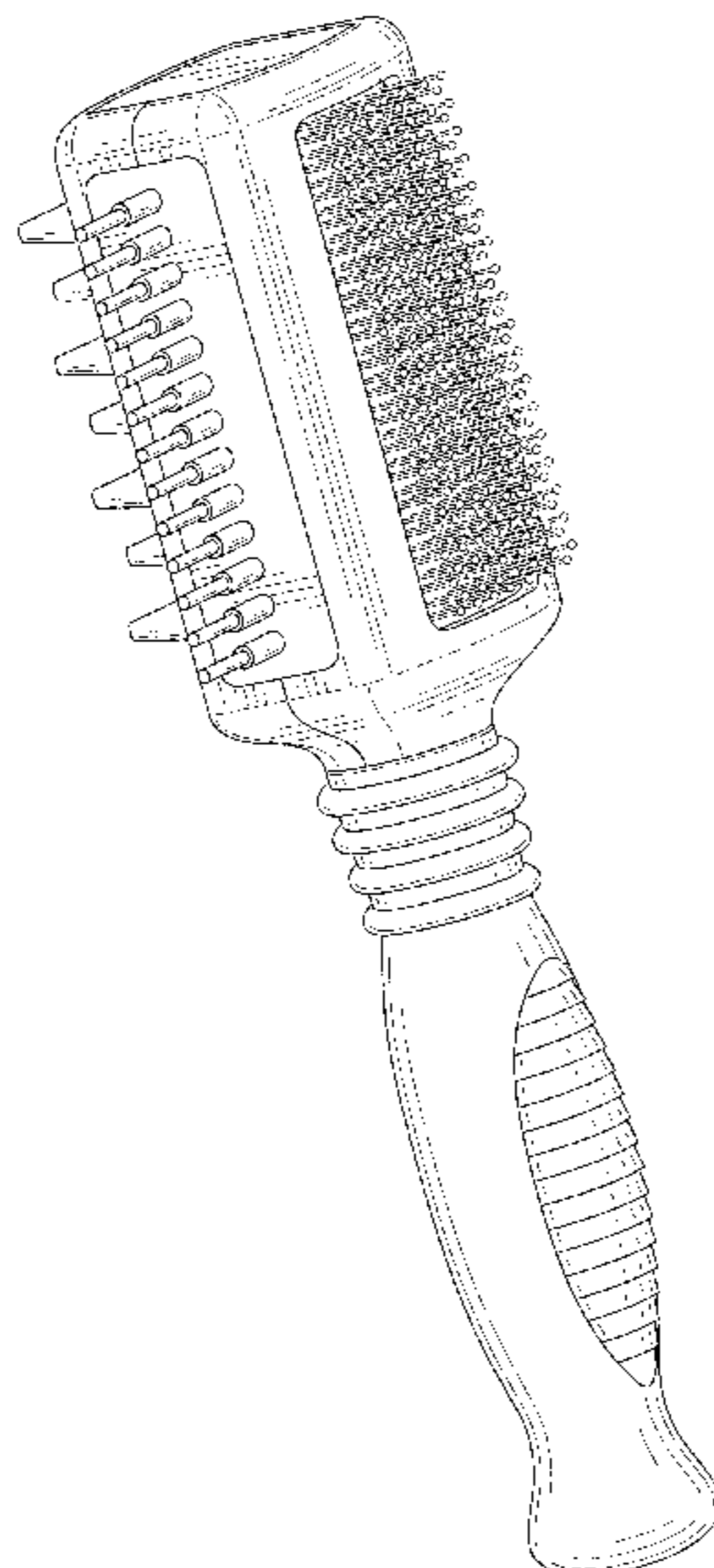
(57) **CLAIM**

The ornamental design for a four-headed grooming tool, as shown.

DESCRIPTION

FIG. 1 is a perspective view of an four-headed grooming tool of the present invention;
FIG. 2 is a front view of the four-headed grooming tool of FIG. 1;
FIG. 3 is a back view of the four-headed grooming tool of FIG. 1;
FIG. 4 is a side view of the four-headed grooming tool of FIG. 1;
FIG. 5 is a side view of the four-headed grooming tool of FIG. 1;
FIG. 6 is a top view of the four-headed grooming tool of FIG. 1; and,
FIG. 7 is a bottom view of the four-headed grooming tool of FIG. 1.

1 Claim, 6 Drawing Sheets



(56)

References Cited

U.S. PATENT DOCUMENTS

D817,643 S * 5/2018 Valle D4/100
D818,717 S * 5/2018 Gulamani D4/133

* cited by examiner

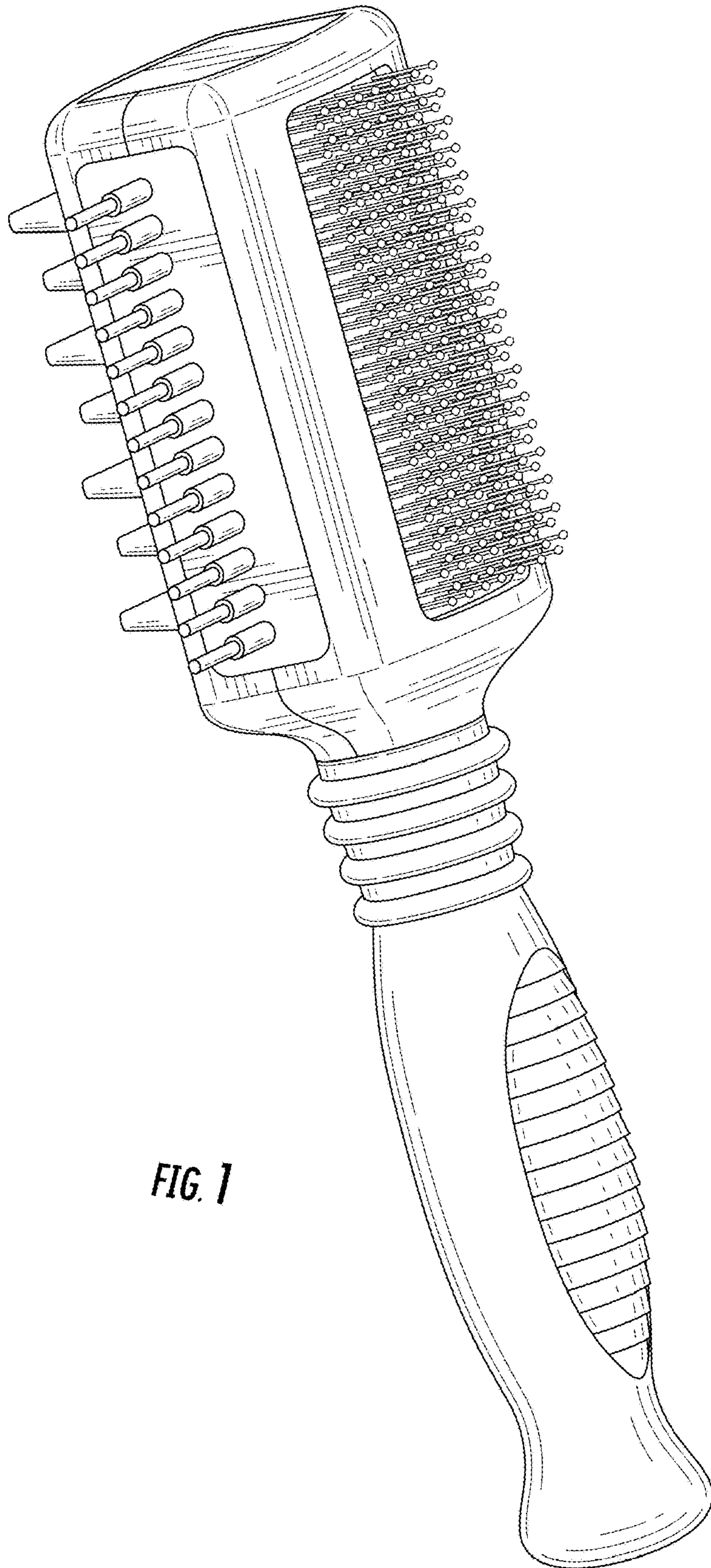


FIG. 1

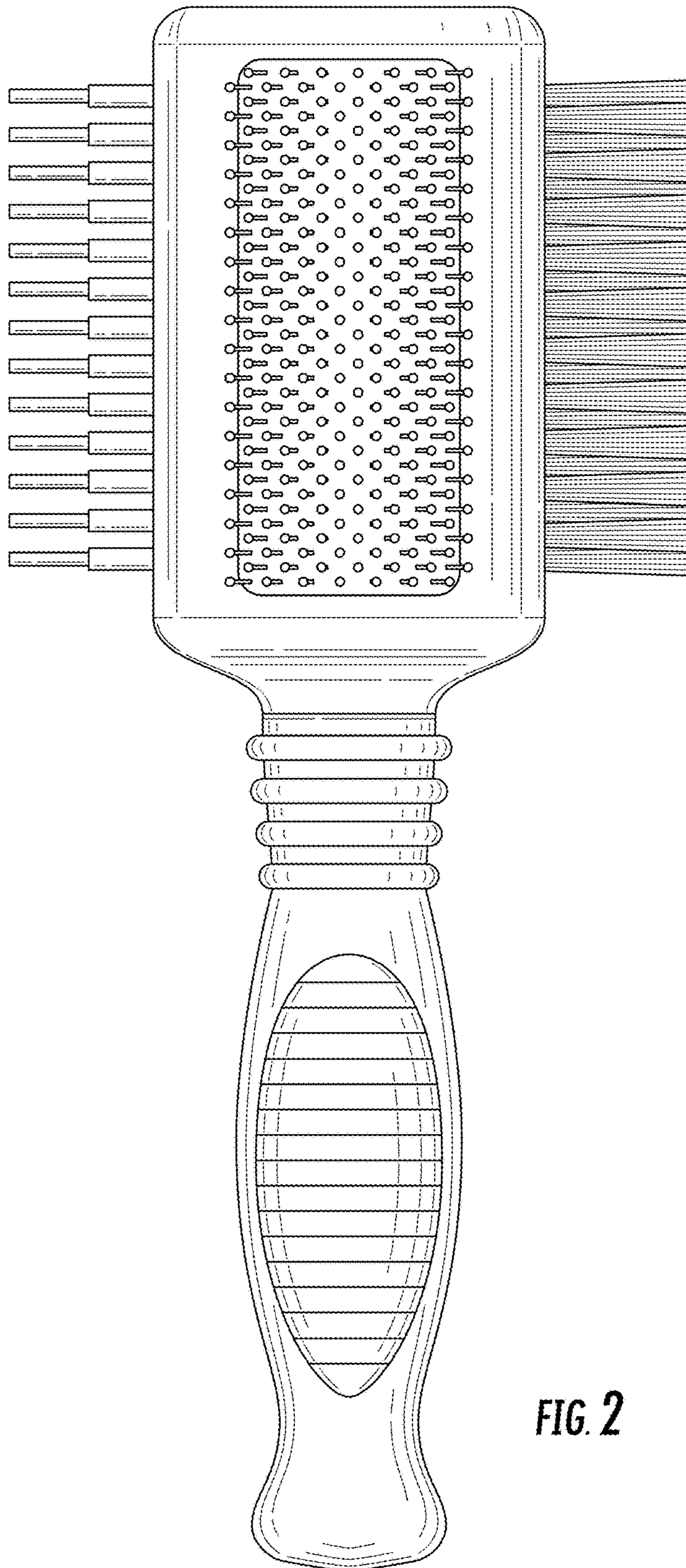


FIG. 2

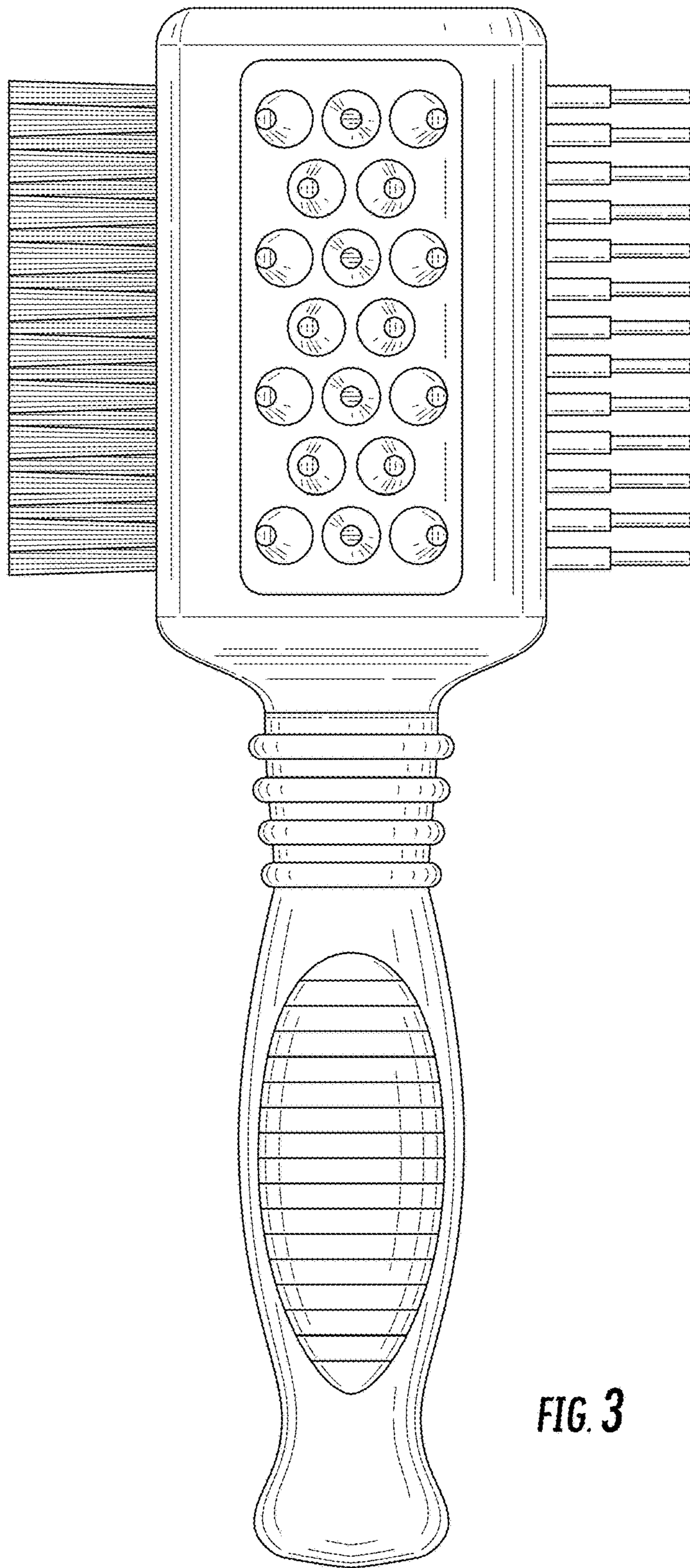


FIG. 3

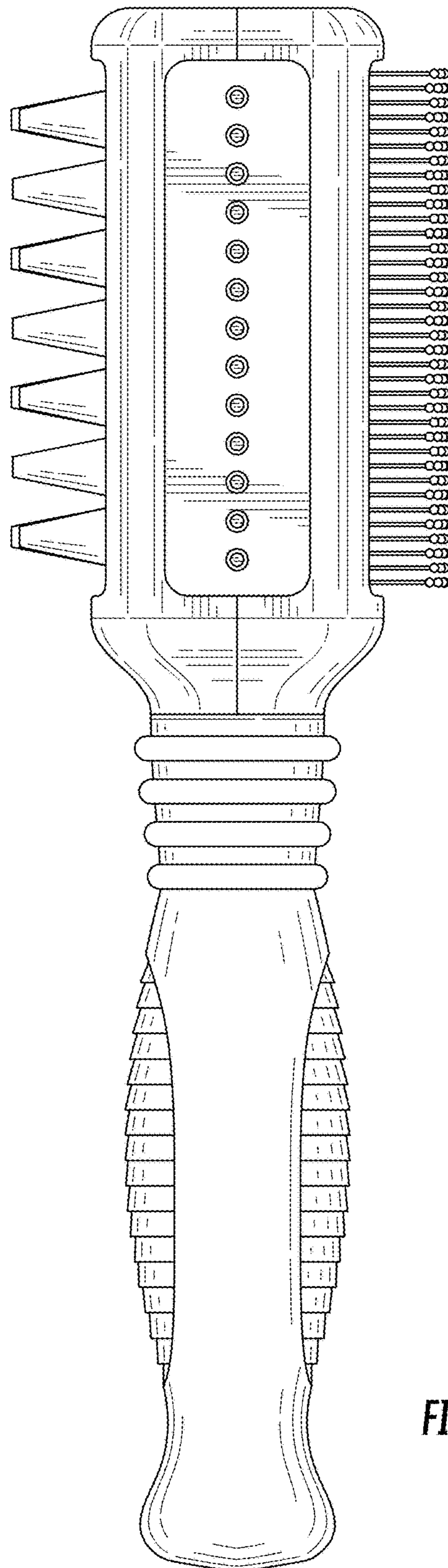


FIG. 4

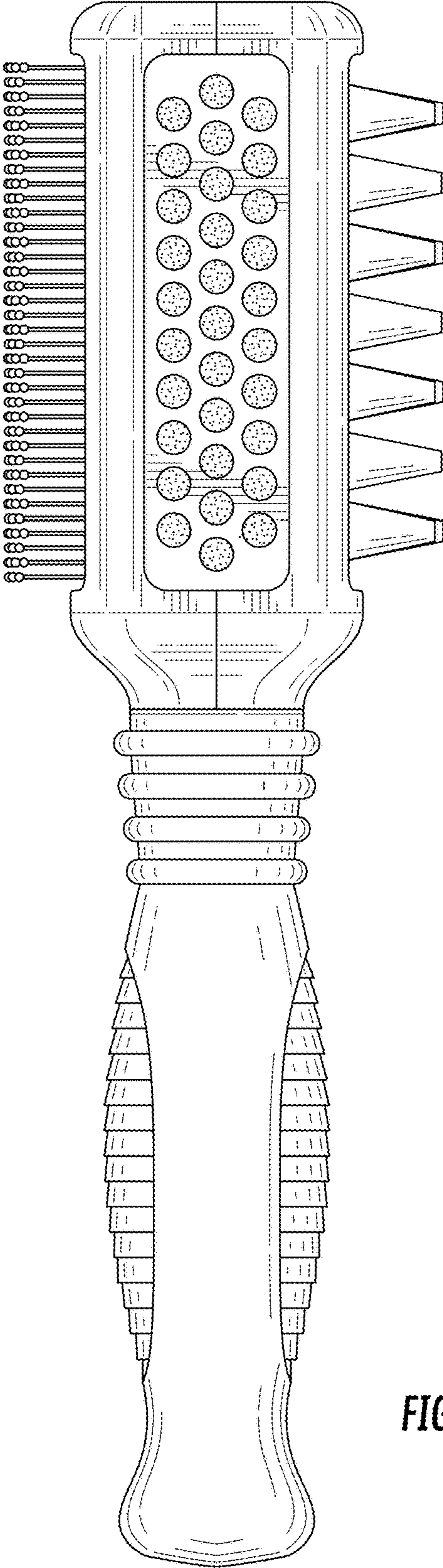


FIG. 5

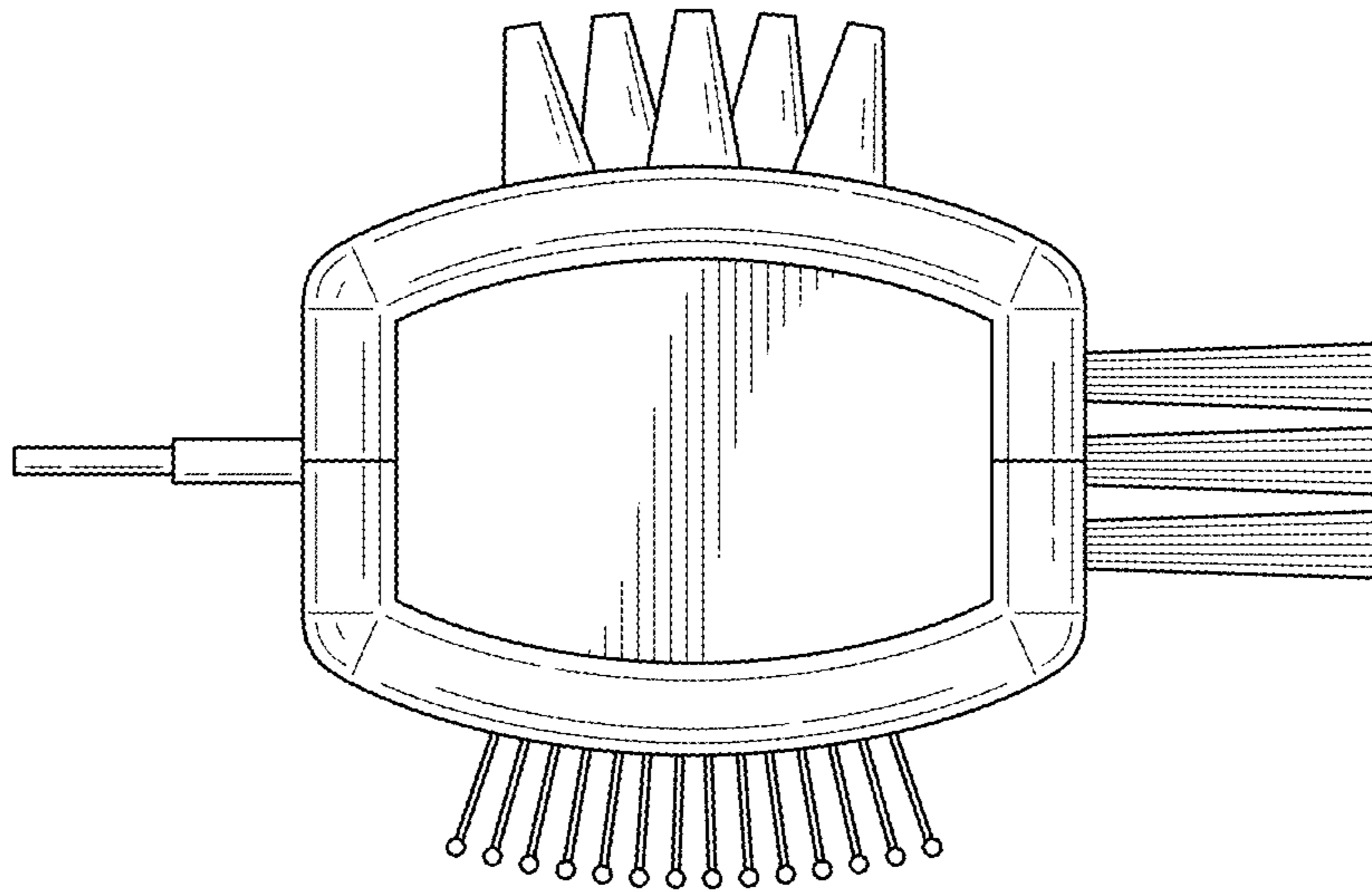


FIG. 6

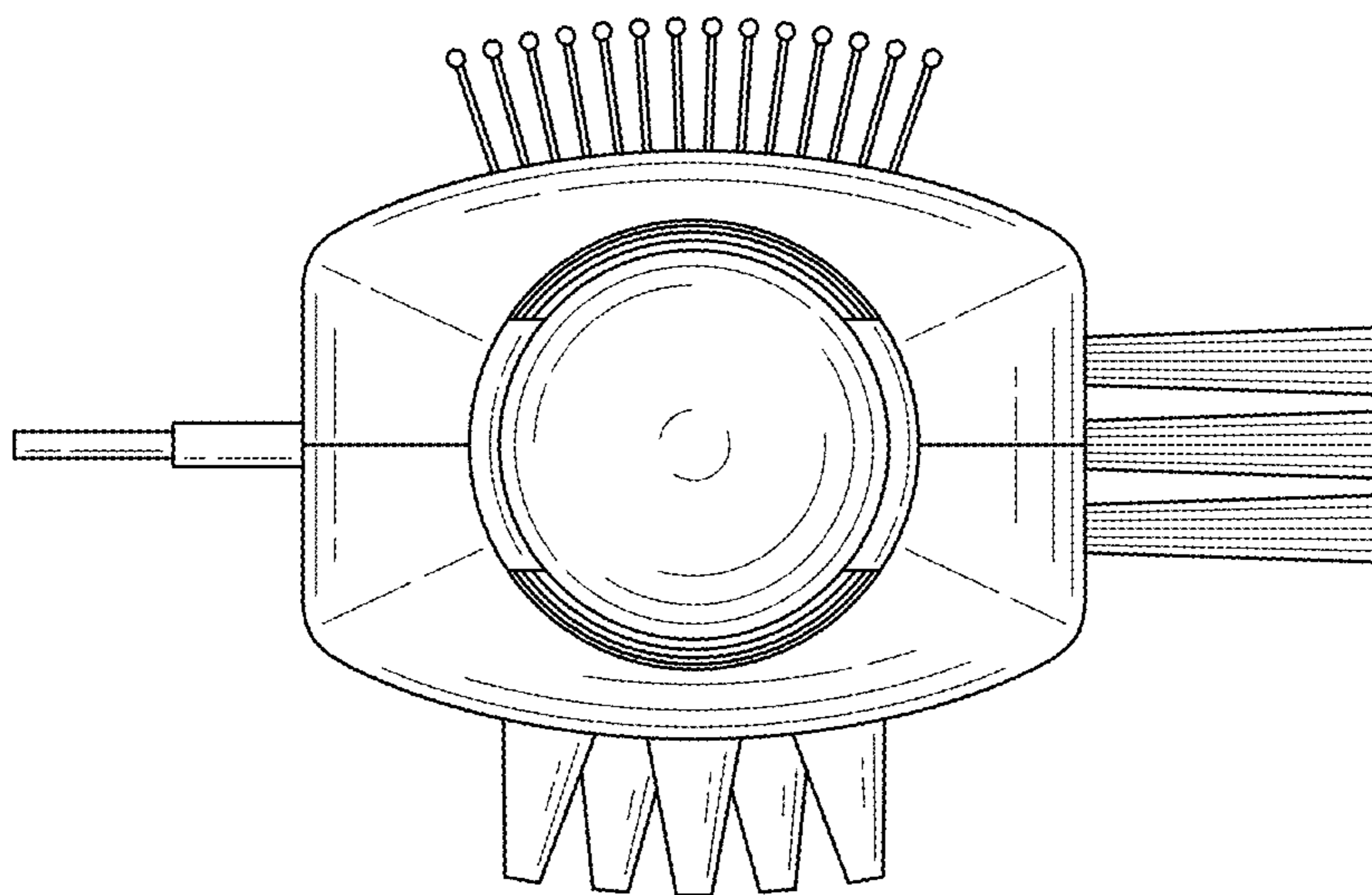


FIG. 7