



US00D833752S

(12) **United States Design Patent**  
**Thompson**

(10) **Patent No.:** **US D833,752 S**

(45) **Date of Patent:** **\*\* Nov. 20, 2018**

(54) **BRUSH**

2200/1053; A46B 2200/3006; A46B  
2200/3033; A46B 2200/3093

(71) Applicant: **BLACK & DECKER INC.**, New  
Britain, CT (US)

See application file for complete search history.

(72) Inventor: **Samuel P. Thompson**, Newcastle Upon  
Tyne (GB)

(56) **References Cited**

(73) Assignee: **BLACK & DECKER INC.**, New  
Britain, CT (US)

U.S. PATENT DOCUMENTS

(\*\*) Term: **15 Years**

D562,002 S *	2/2008	Liu .....	D4/118
D572,487 S *	7/2008	Miller .....	D4/118
D656,736 S *	4/2012	Hoffelner .....	D4/118
D785,338 S *	5/2017	Henningsen .....	A46B 5/0075
			D32/43
2011/0188923 A1 *	8/2011	Lafleur .....	A46B 5/0075
			403/53

(21) Appl. No.: **29/628,570**

\* cited by examiner

(22) Filed: **Dec. 6, 2017**

(51) **LOC (11) Cl.** ..... **04-01**

*Primary Examiner* — Keli L Hill

(52) **U.S. Cl.**

(74) *Attorney, Agent, or Firm* — Adan Ayala

USPC ..... **D4/118; D4/134**

(58) **Field of Classification Search**

(57) **CLAIM**

USPC ..... D4/116–118, 130–132, 134, 138; D8/80,  
D8/83, 94, 103, 300; D32/40, 41, 46, 49,  
D32/51

The ornamental design for a brush, as shown and described.

CPC ..... A45D 24/14; A45D 24/16; A46B 3/005;  
A46B 5/00; A46B 5/02; A46B 5/021;  
A46B 9/02; A46B 9/021; A46B 9/023;  
A46B 13/001; A46B 13/008; A46B  
15/0055; A46B 15/0081; A46B 15/0087;  
A46B 17/02; A46B 2200/30; A46B  
2200/104; A46B 2200/106; A46B  
2200/202; A46B 2200/205; A46B  
2200/207; A46B 2200/304; A46B  
2200/1006; A46B 2200/1046; A46B

**DESCRIPTION**

FIG. 1 is a front perspective view of a brush according to the invention.

FIG. 2 is a front view of the brush of FIG. 1.

FIG. 3 is a rear view of the brush of FIG. 1.

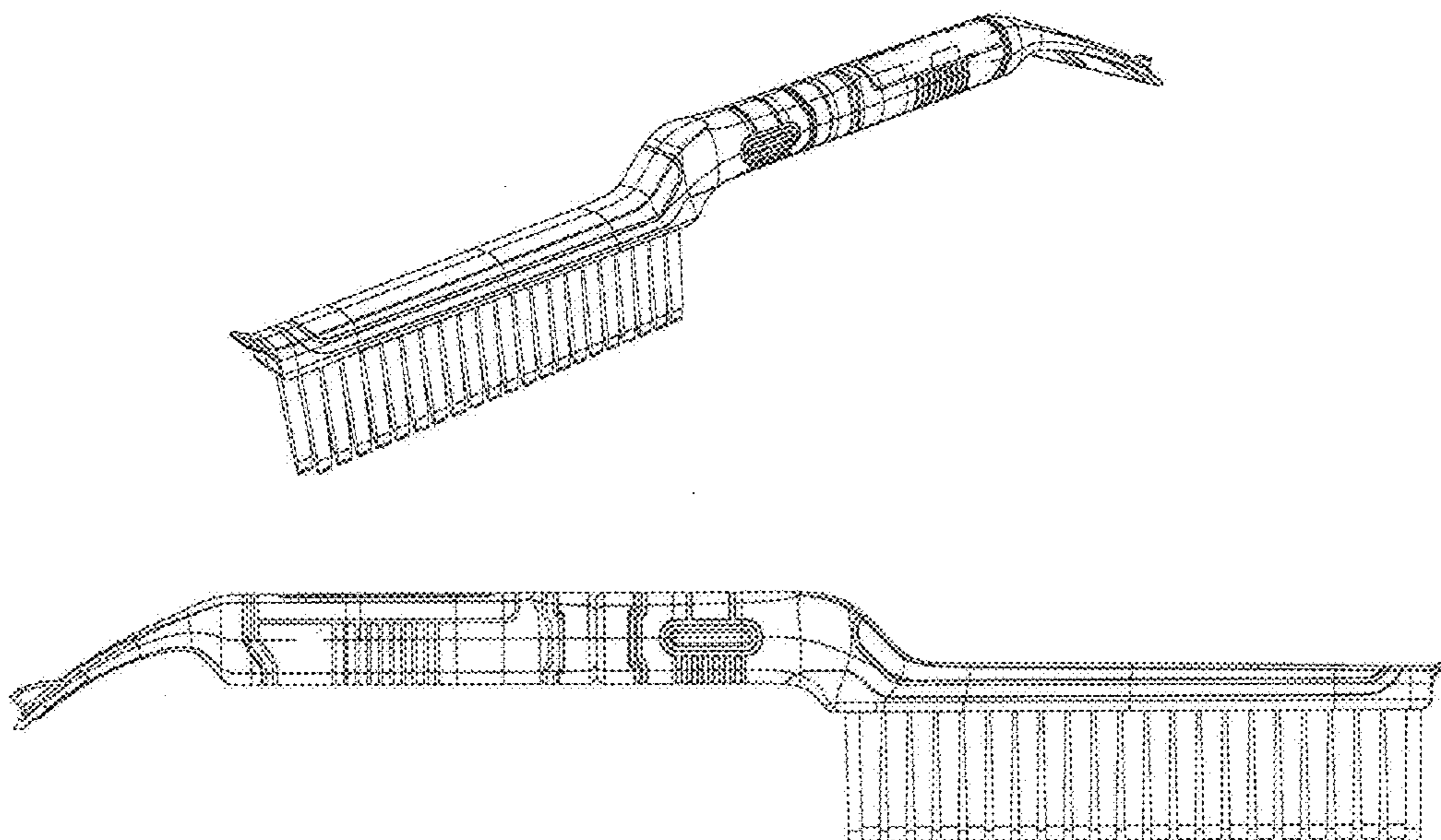
FIG. 4 is a left side view of the brush of FIG. 1.

FIG. 5 is a right side view of the brush of FIG. 1.

FIG. 6 is a top plan view of the brush of FIG. 1; and,

FIG. 7 is a bottom plan view of the brush of FIG. 1.

**1 Claim, 7 Drawing Sheets**



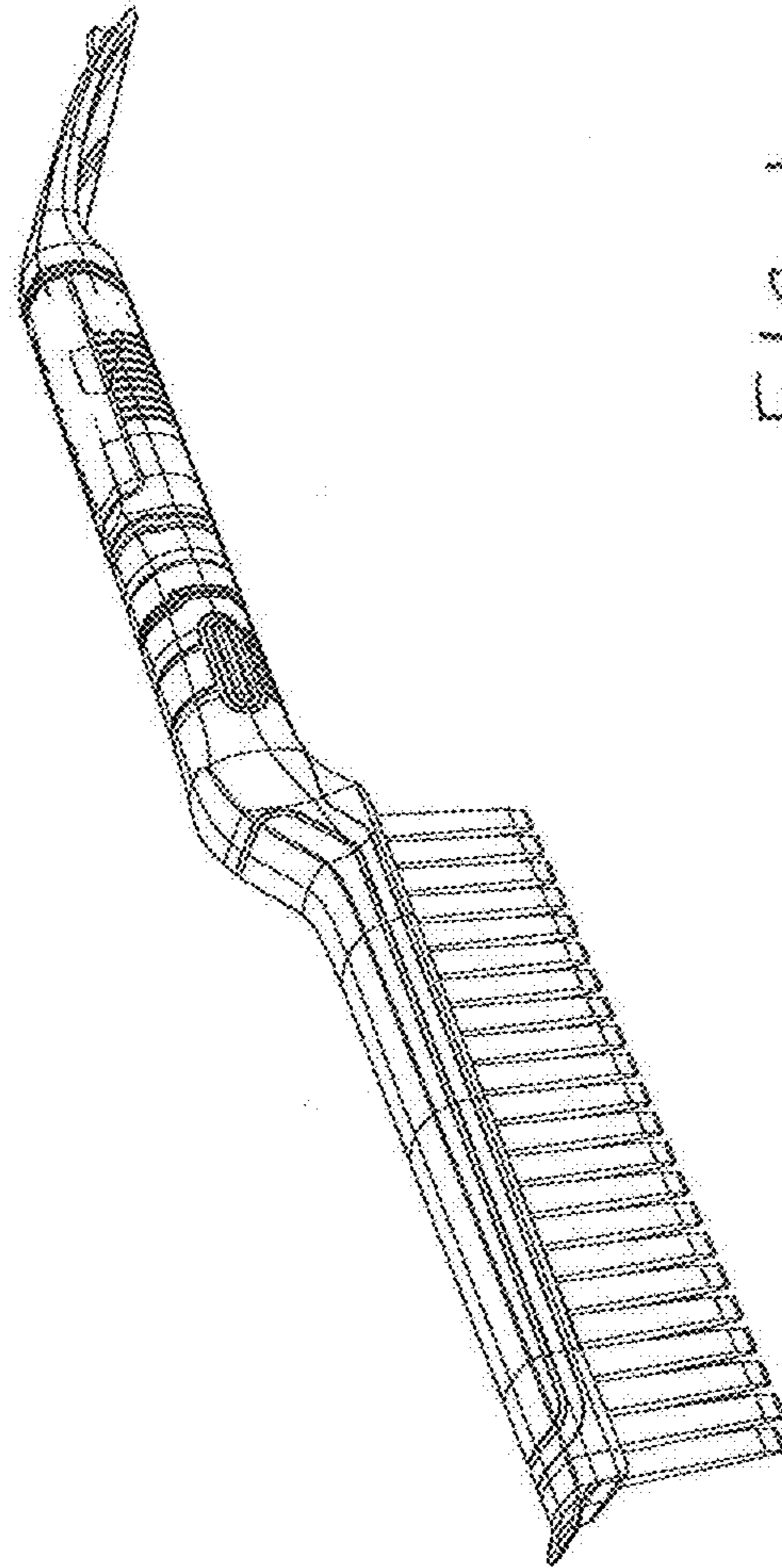


FIG. 1

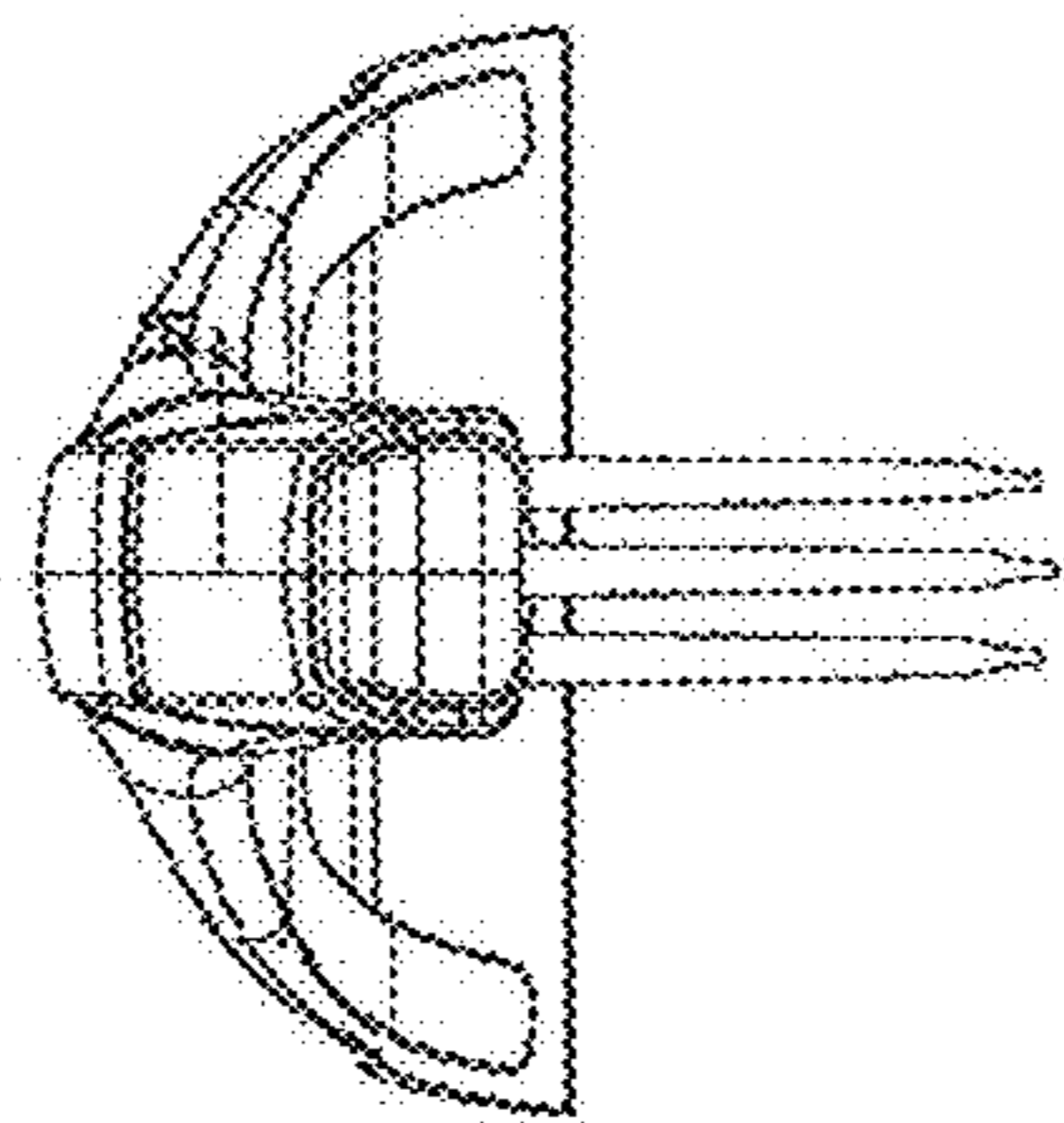


FIG. 2

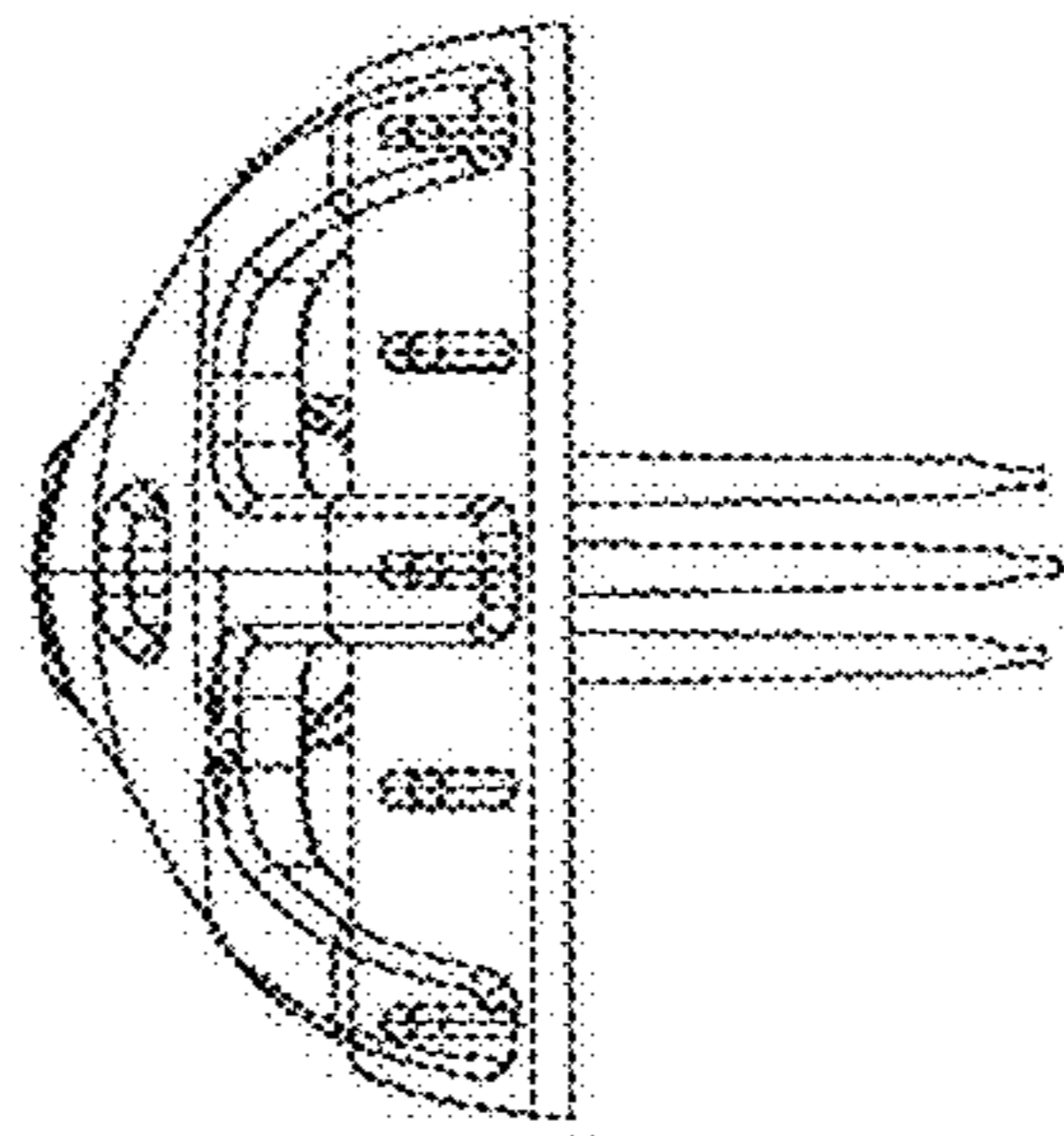


FIG. 3

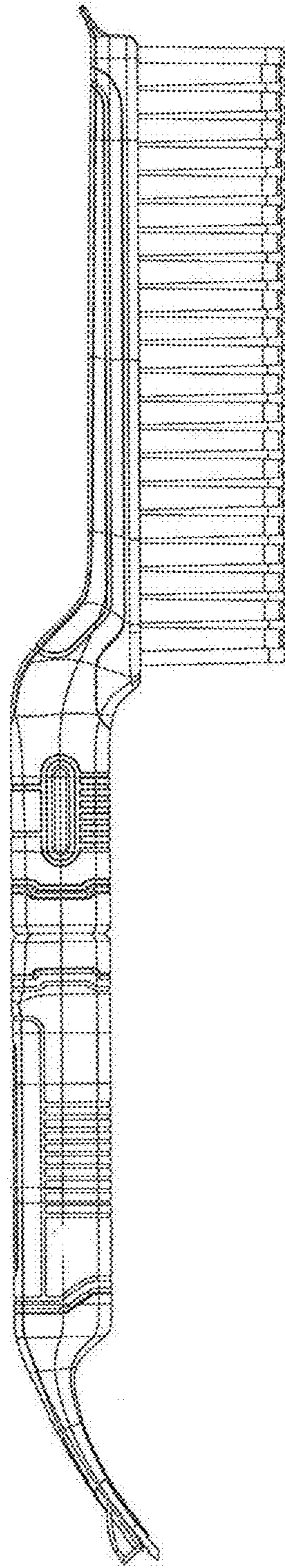


FIG. 4

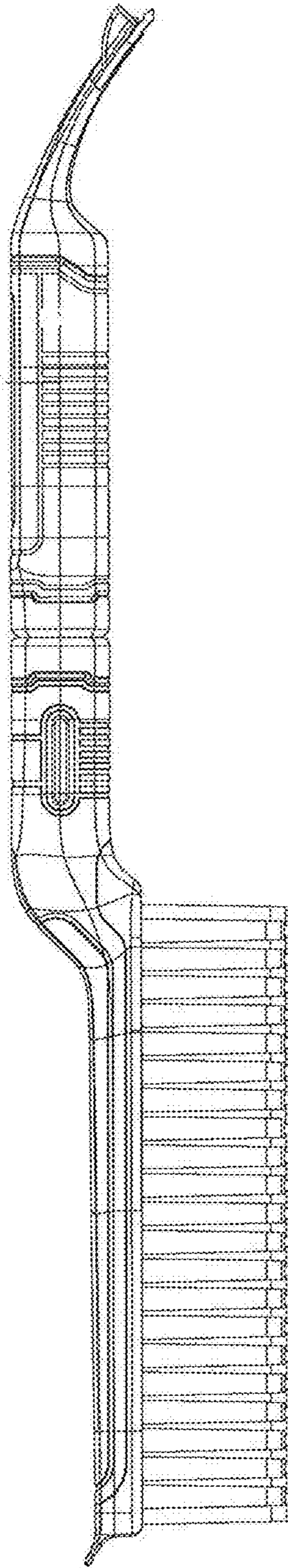


FIG. 5

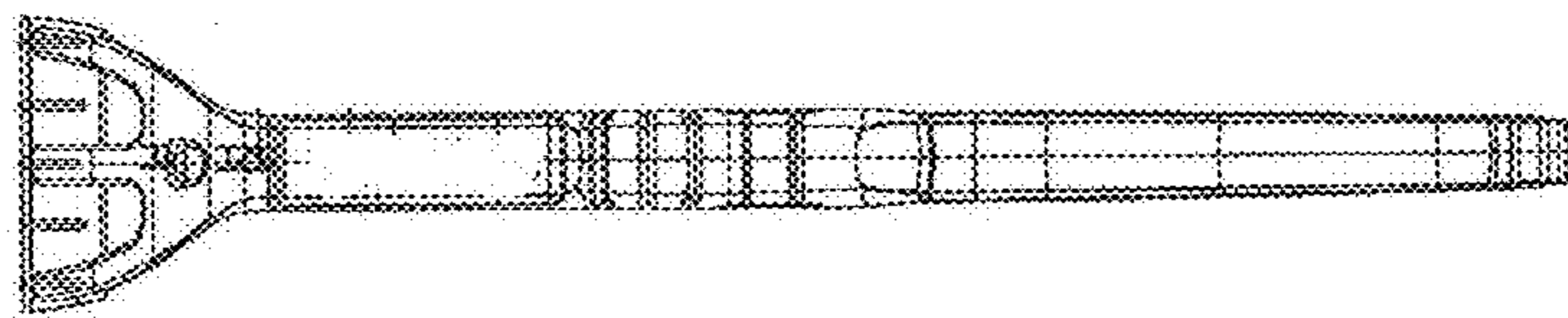


FIG. 6

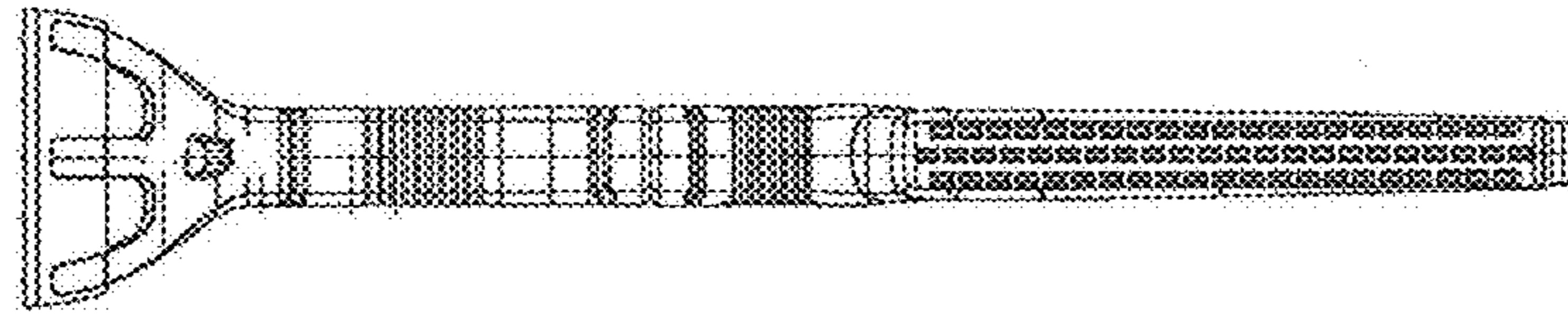


FIG. 7