



US00D833746S

(12) **United States Design Patent** (10) **Patent No.:** **US D833,746 S**
Steele (45) **Date of Patent:** **** Nov. 20, 2018**

(54) **COUPLED CYLINDRICAL STORAGE CONTAINER**

Primary Examiner — Jennifer Rivard
Assistant Examiner — April Rivas

(71) Applicant: **Valerie Steele**, New York, NY (US)

(72) Inventor: **Valerie Steele**, New York, NY (US)

(57) **CLAIM**

(**) Term: **15 Years**

The ornamental design for a coupled cylindrical storage container, as shown and described.

(21) Appl. No.: **29/591,356**

(22) Filed: **Jan. 19, 2017**

DESCRIPTION

(51) **LOC (11) Cl.** **03-01**

(52) **U.S. Cl.**

USPC **D3/295**; D3/901; D28/77

(58) **Field of Classification Search**

USPC D3/203.2, 203.3, 203.6, 205, 273, 279,
D3/276, 284, 294, 302, 901, 903, 905;
D6/525; D28/82, 73

CPC A45D 33/00; A45D 40/00; A45D 33/26;
A45D 40/24; A45D 2033/001; A45D
33/003; A45D 33/16; A45D 33/20

See application file for complete search history.

FIG. 1 is a top view of a coupled cylindrical storage container in a closed position;
FIG. 2 is a top view thereof, wherein the coupled cylindrical storage container is in an open position;
FIG. 3 is a bottom view thereof, wherein the coupled cylindrical storage container is in a closed position;
FIG. 4 is a bottom view thereof, wherein the coupled cylindrical storage container is in an open position;
FIG. 5 is a left side view thereof, wherein the coupled cylindrical storage container is in a closed position;
FIG. 6 is a left side view thereof, wherein the coupled cylindrical storage container is in an open position;
FIG. 7 is a right side view thereof, wherein the coupled cylindrical storage container is in a closed position;
FIG. 8 is a right side view thereof, wherein the coupled cylindrical storage container is in an open position;
FIG. 9 is a left, front perspective view thereof, wherein the coupled cylindrical storage container is in a closed position;
FIG. 10 is a left, front perspective view thereof, wherein the coupled cylindrical storage container is in an open position;
FIG. 11 is a right, front perspective view thereof, wherein the coupled cylindrical storage container is in a closed position; and,
FIG. 12 is a right, front perspective view thereof, wherein the coupled cylindrical storage container is in an open position.

(56) **References Cited**

U.S. PATENT DOCUMENTS

- 1,831,401 A * 11/1931 Weidlich A45C 11/16
211/133.1
- D147,482 S * 9/1947 Winterfeld 206/565
- D194,466 S * 1/1963 Johnson D11/131
- D199,820 S * 12/1964 Meeder D3/296
- 3,188,157 A * 6/1965 Rand A45D 33/00
220/23.8
- D225,513 S * 12/1972 Woag D3/201
- D267,153 S * 12/1982 Lebowitz D19/75
- D280,739 S * 9/1985 Wang D19/77

(Continued)

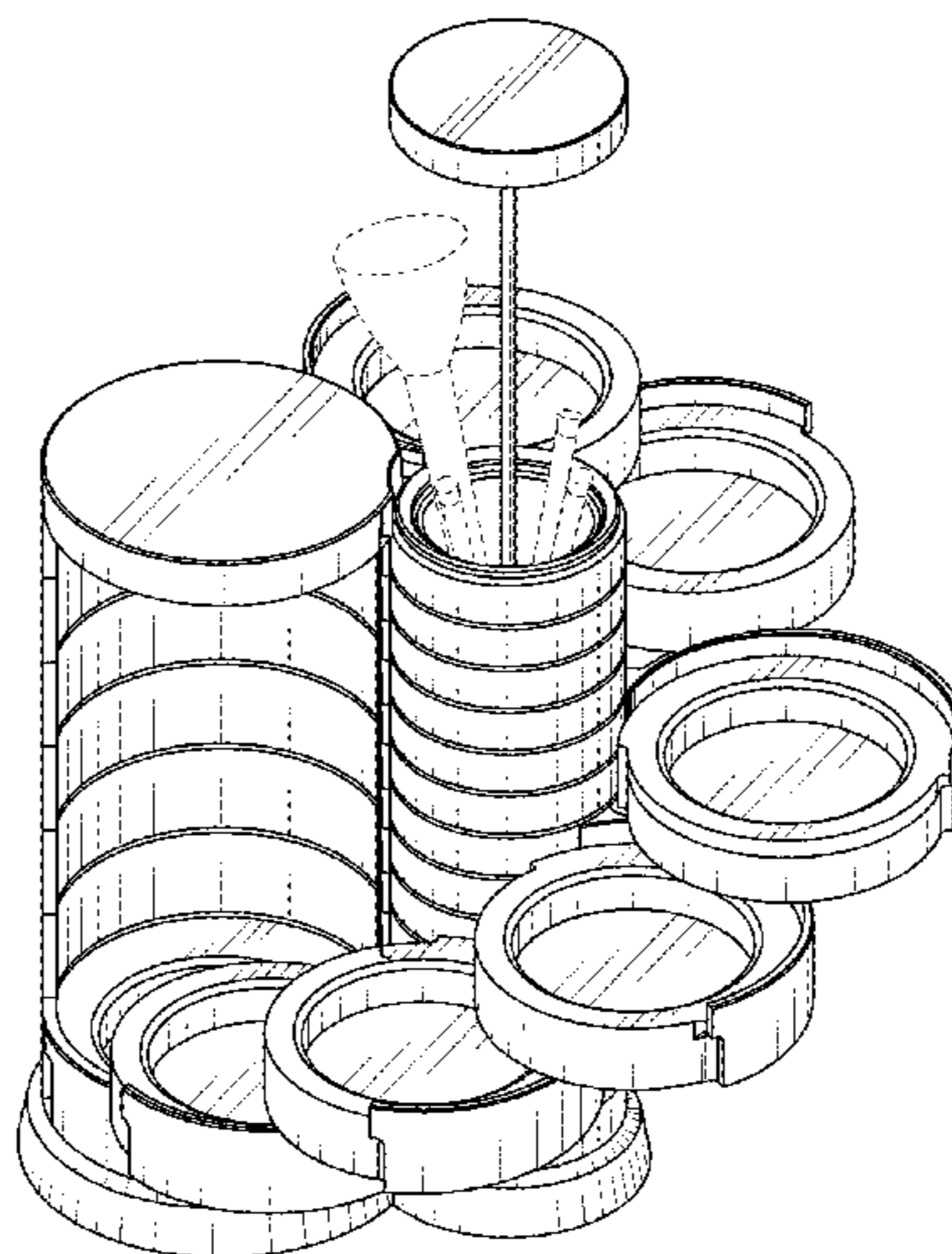
OTHER PUBLICATIONS

V&A, "Column of drawers by John Makepeace", Date made 1977-1978. (<http://collections.vam.ac.uk/item/O34061/column-of-drawers-makepeace-john/>).*

(Continued)

The broken lines illustrate environment and form no part of the claimed design.

1 Claim, 6 Drawing Sheets



(56)

References Cited

U.S. PATENT DOCUMENTS

4,807,773 A * 2/1989 Tsai A45D 33/24
 132/296
 4,815,483 A * 3/1989 DuGrenier A45D 33/00
 132/295
 D358,030 S * 5/1995 Ying D3/284
 D367,959 S * 3/1996 Calmeise D3/282
 D418,947 S * 1/2000 Greiner D19/77
 6,041,935 A * 3/2000 Yang A45C 11/00
 206/509
 D443,137 S * 6/2001 Lai D28/83
 D474,021 S * 5/2003 Lenaerts D3/273
 D535,477 S * 1/2007 Nguy D3/276
 D551,002 S * 9/2007 Snell D6/525
 D560,312 S * 1/2008 Washington D28/73
 D572,059 S * 7/2008 Richardson D6/525
 D601,836 S * 10/2009 Carr D6/525
 D621,603 S * 8/2010 Traylor D3/203.2
 D688,006 S * 8/2013 Lai D28/73
 D728,860 S * 5/2015 Blanch D28/82
 D808,958 S * 1/2018 Ha D14/341
 2009/0272659 A1 * 11/2009 Kaiser A45D 33/20
 206/235

OTHER PUBLICATIONS

Plyroom, "Bellantonio Rotating Drawers", Accessed Feb. 15, 2018.
 (<https://www.plyroom.com.au/products/bellantonio-rotating-drawers>).*

The Beauty of Life blog, "Holiday Gifts: Sephora Croc Pop Up
 Brushes", posted Dec. 4, 2007. (<http://www.thebeautyoflifeblog.com/2007/12/holiday-gifts-sephora-croc-pop-up.html>).*

* cited by examiner

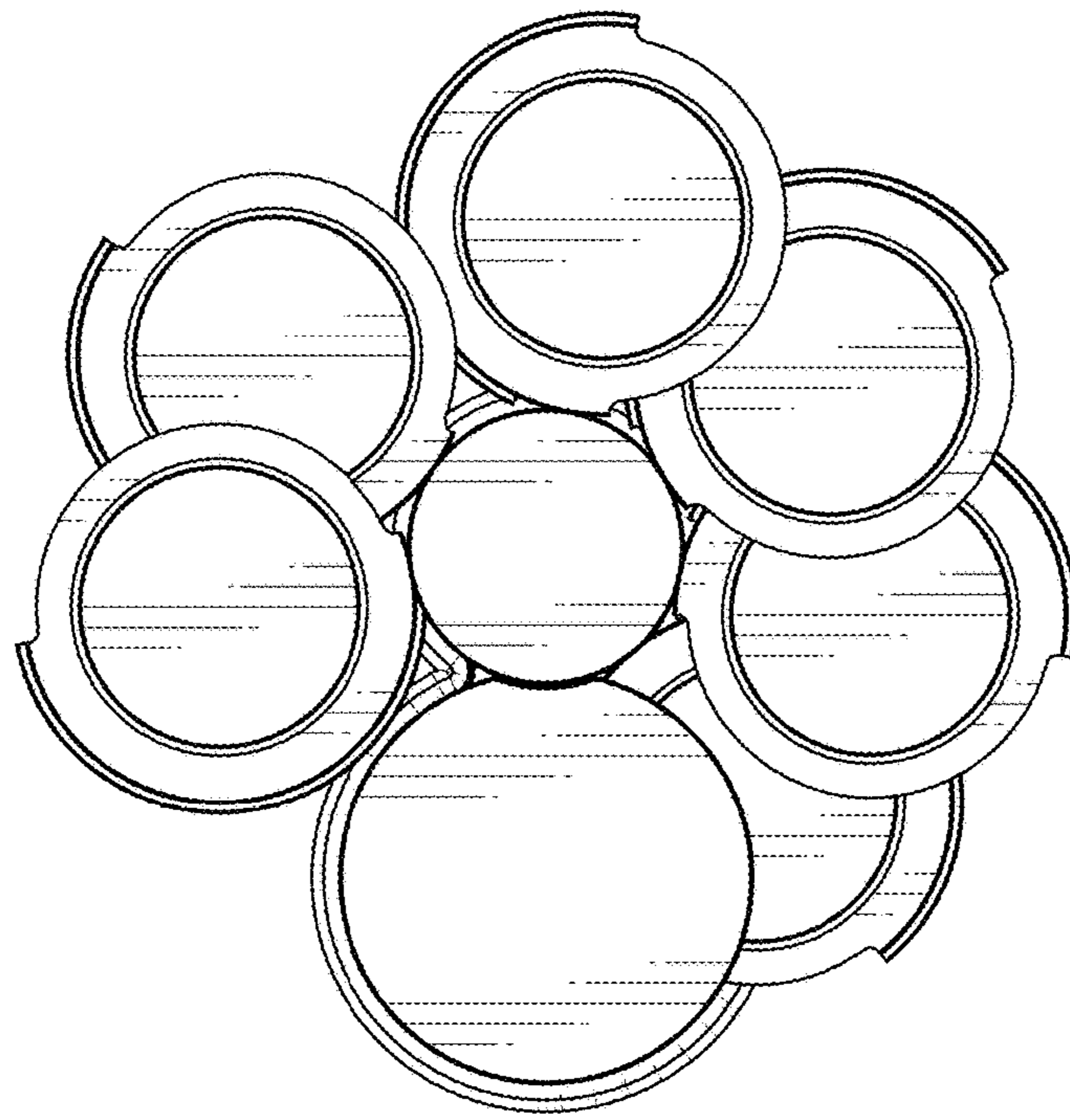


FIG. 2

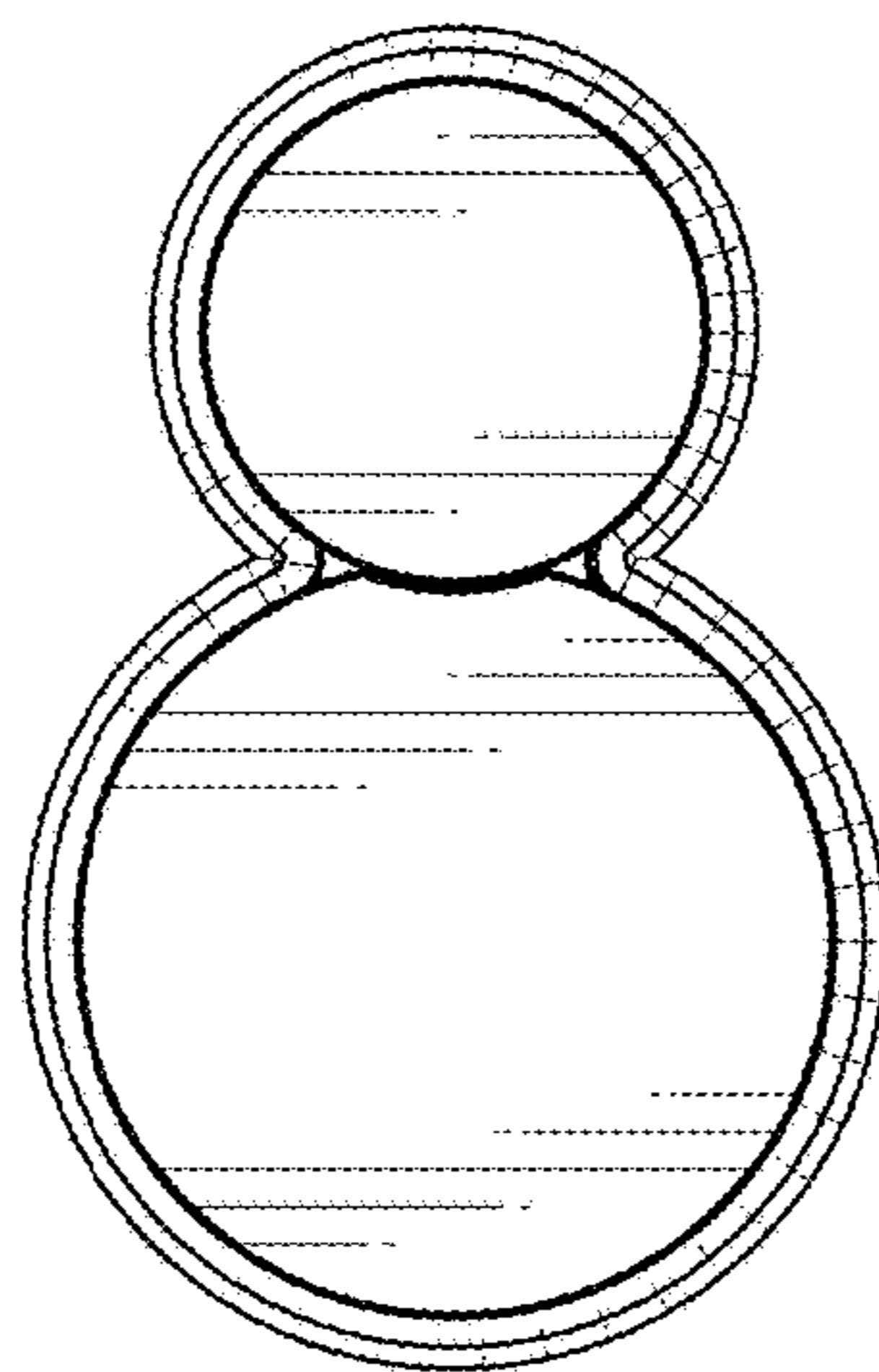


FIG. 1

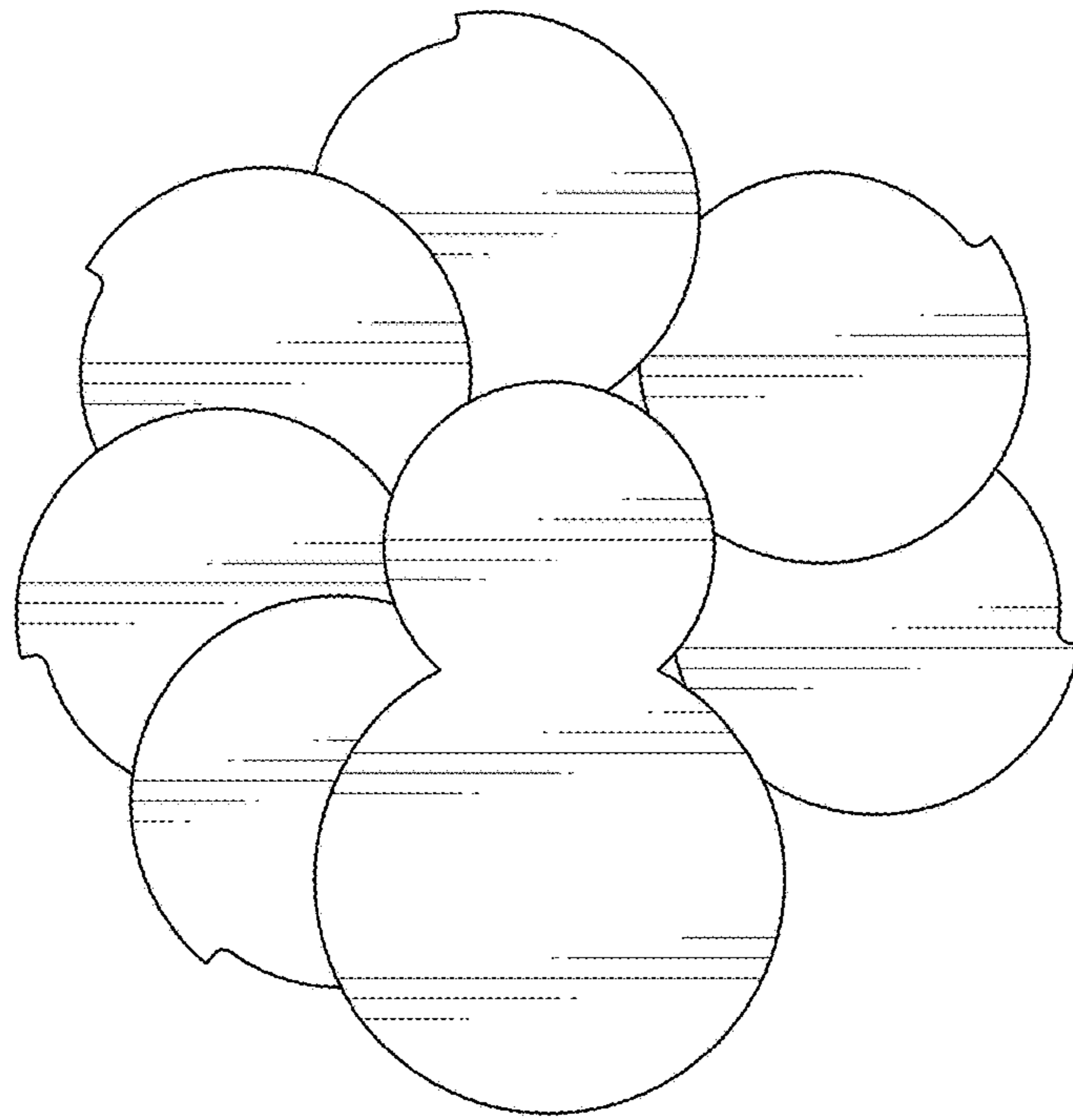


FIG. 4

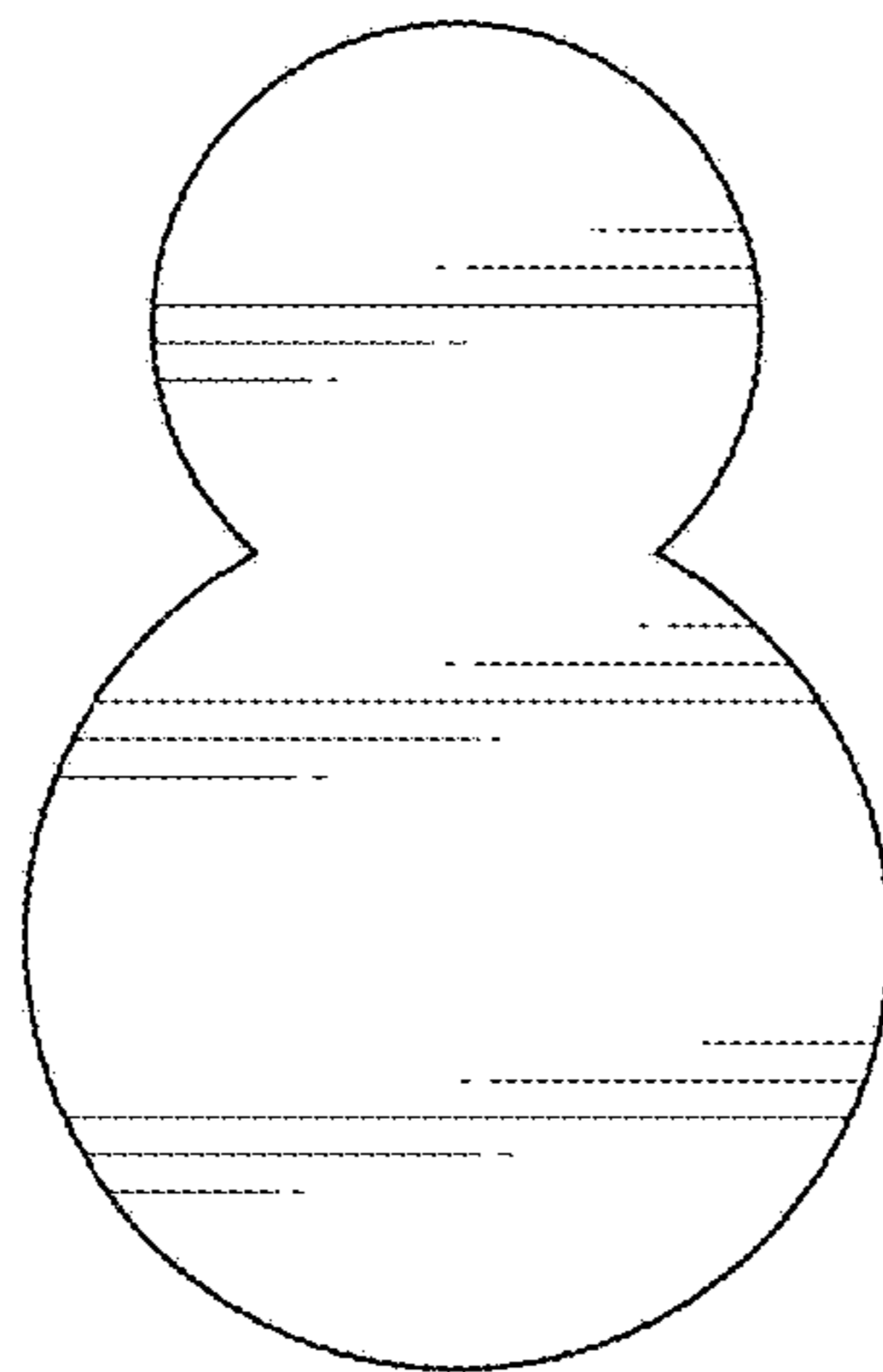


FIG. 3

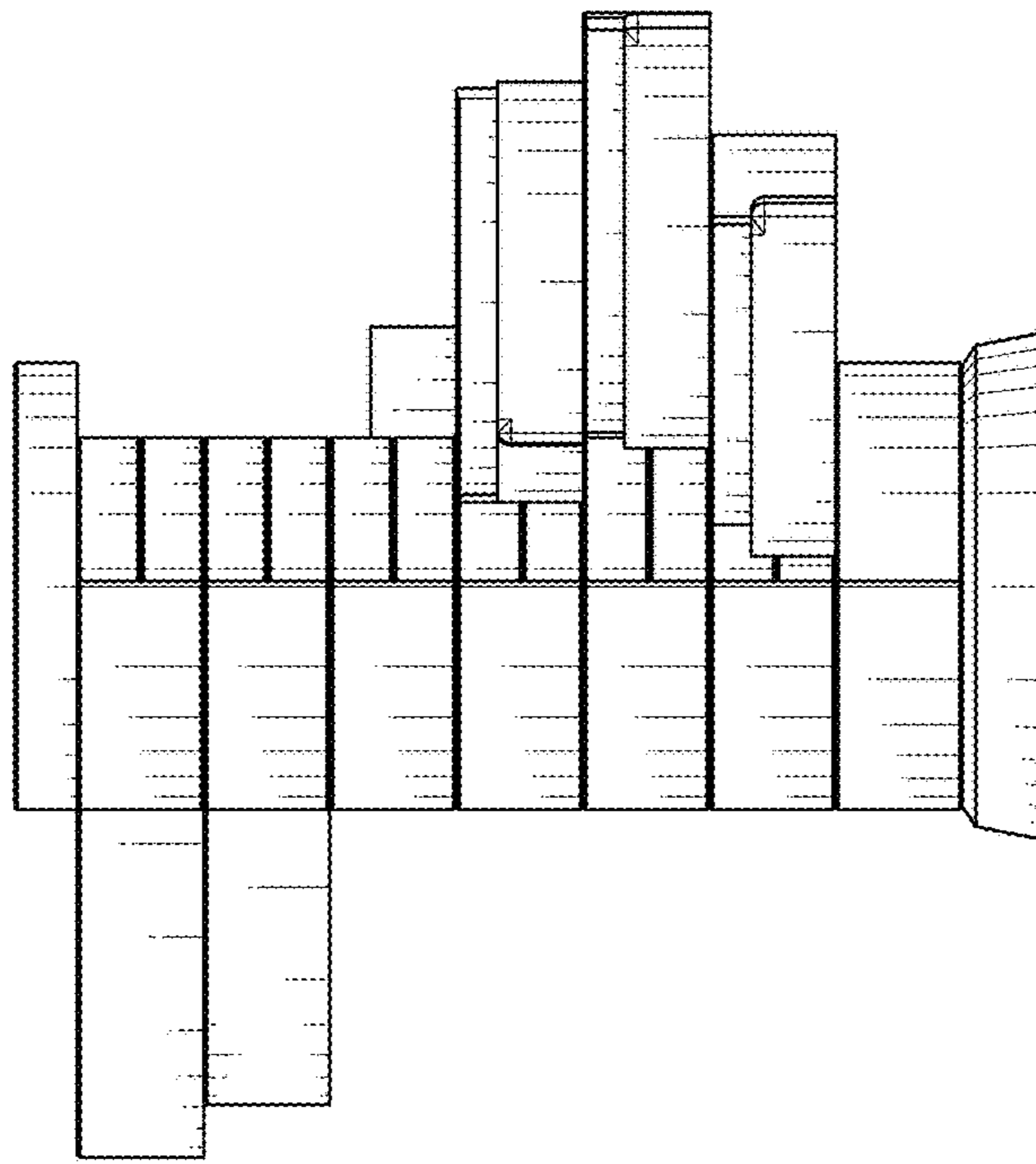


FIG. 6

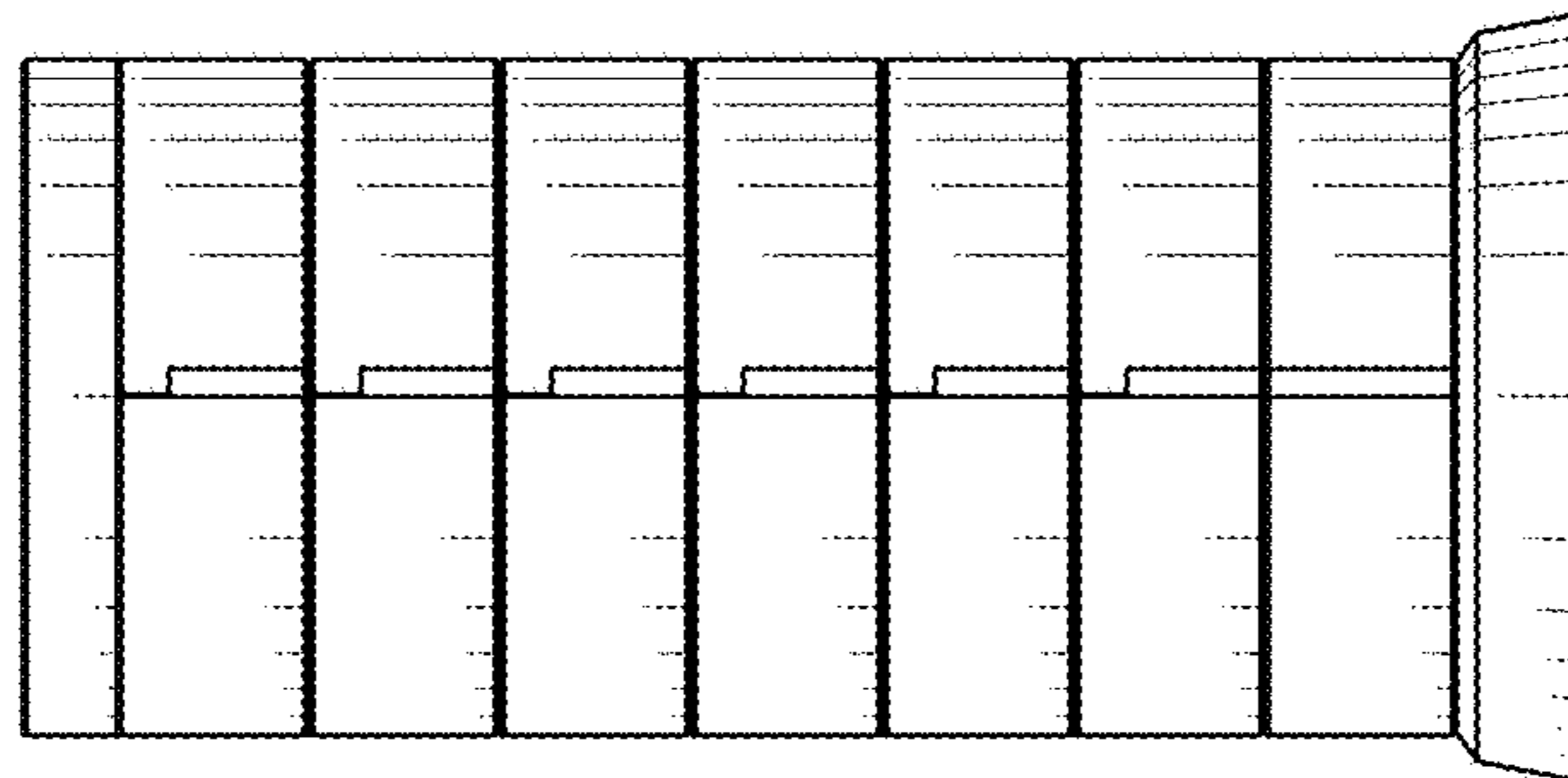


FIG. 5

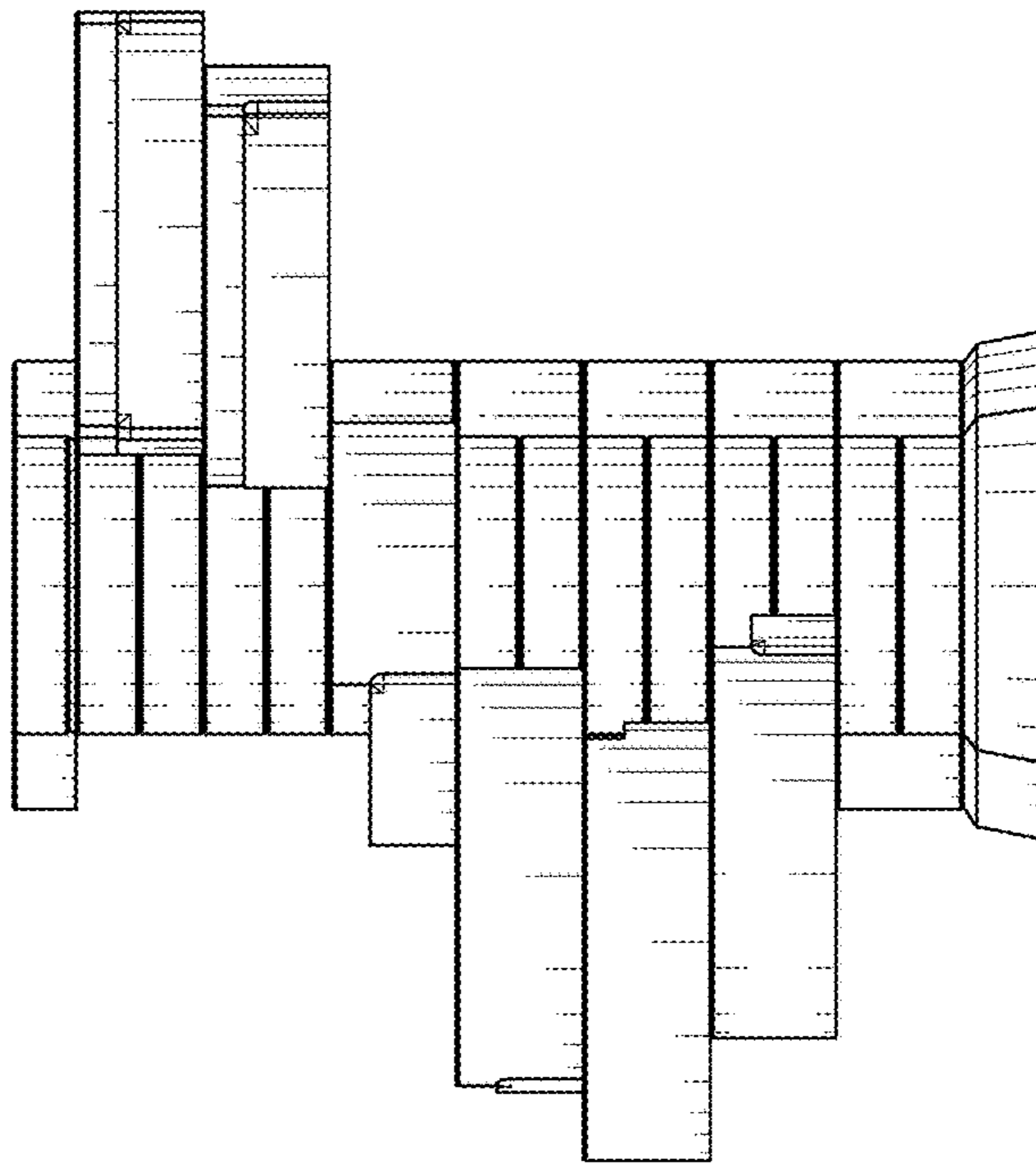


FIG. 8

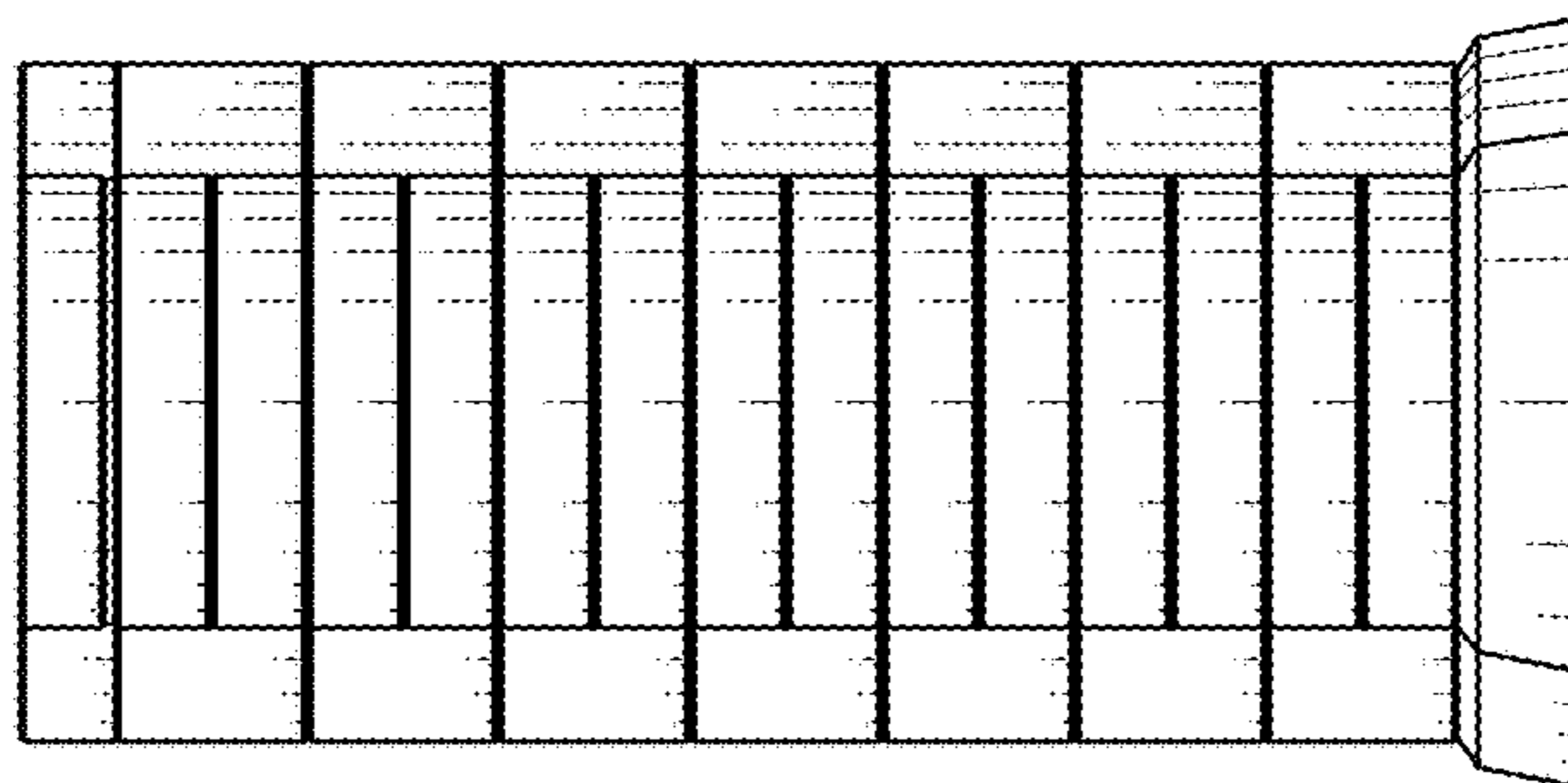


FIG. 7

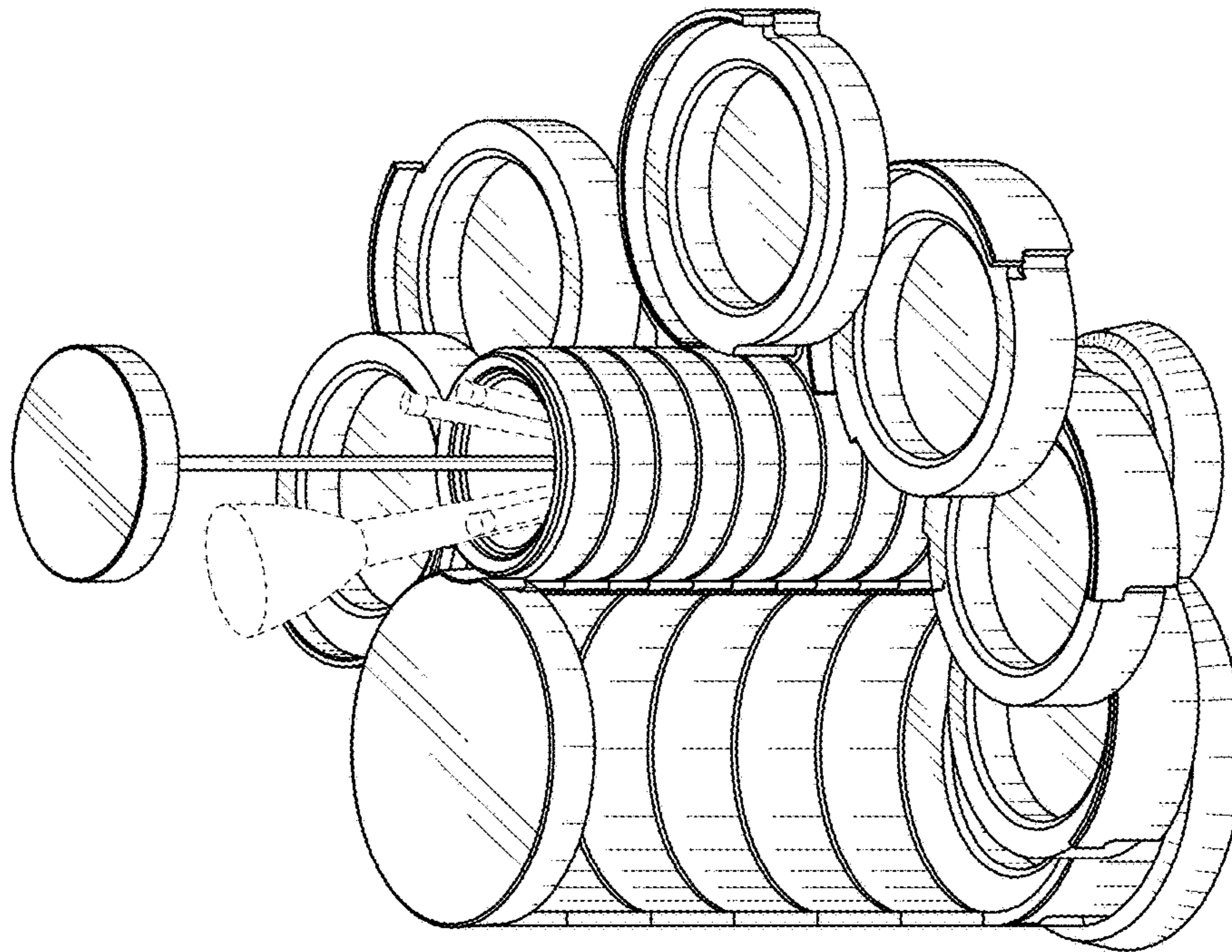


FIG. 10

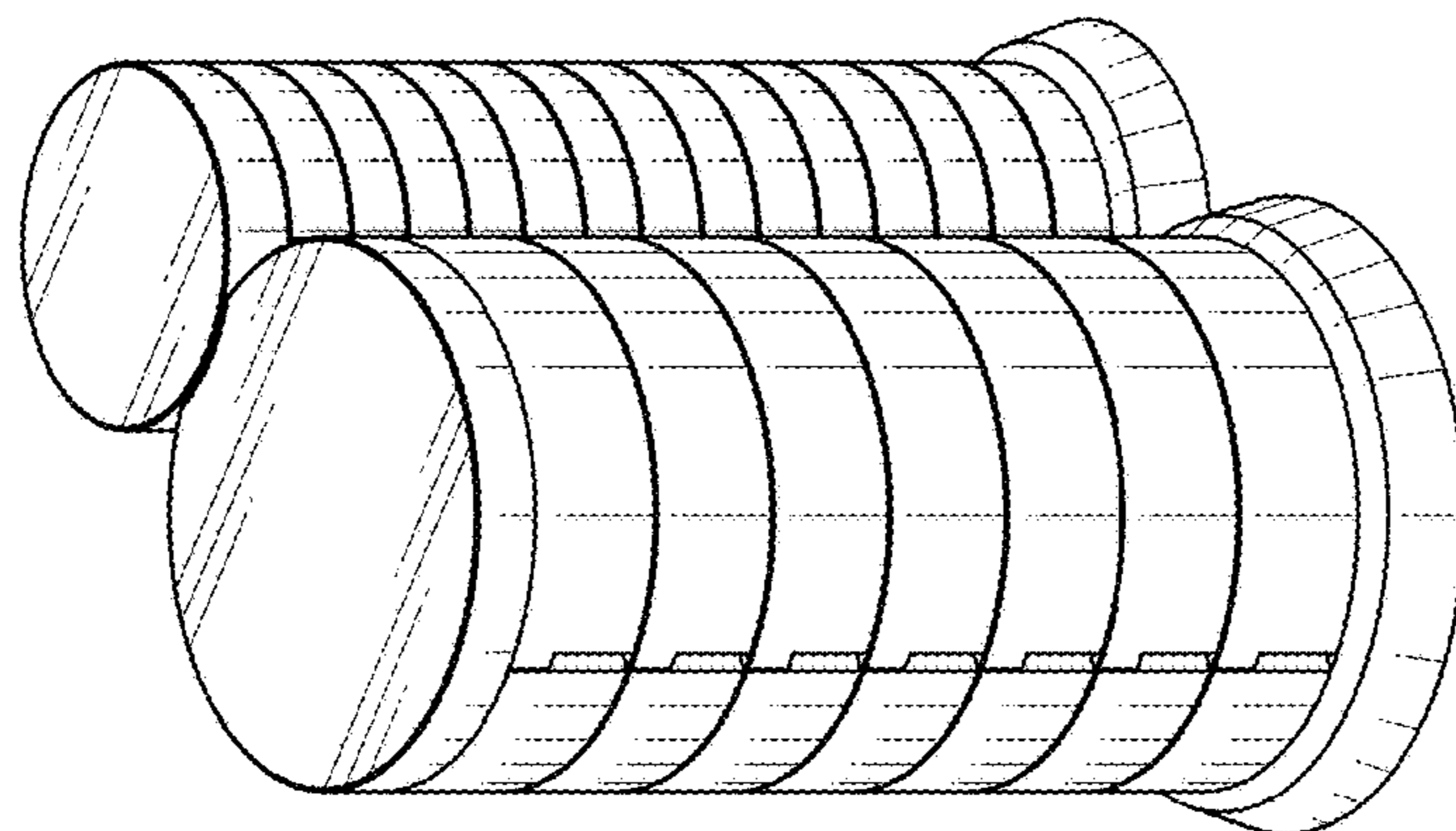


FIG. 9

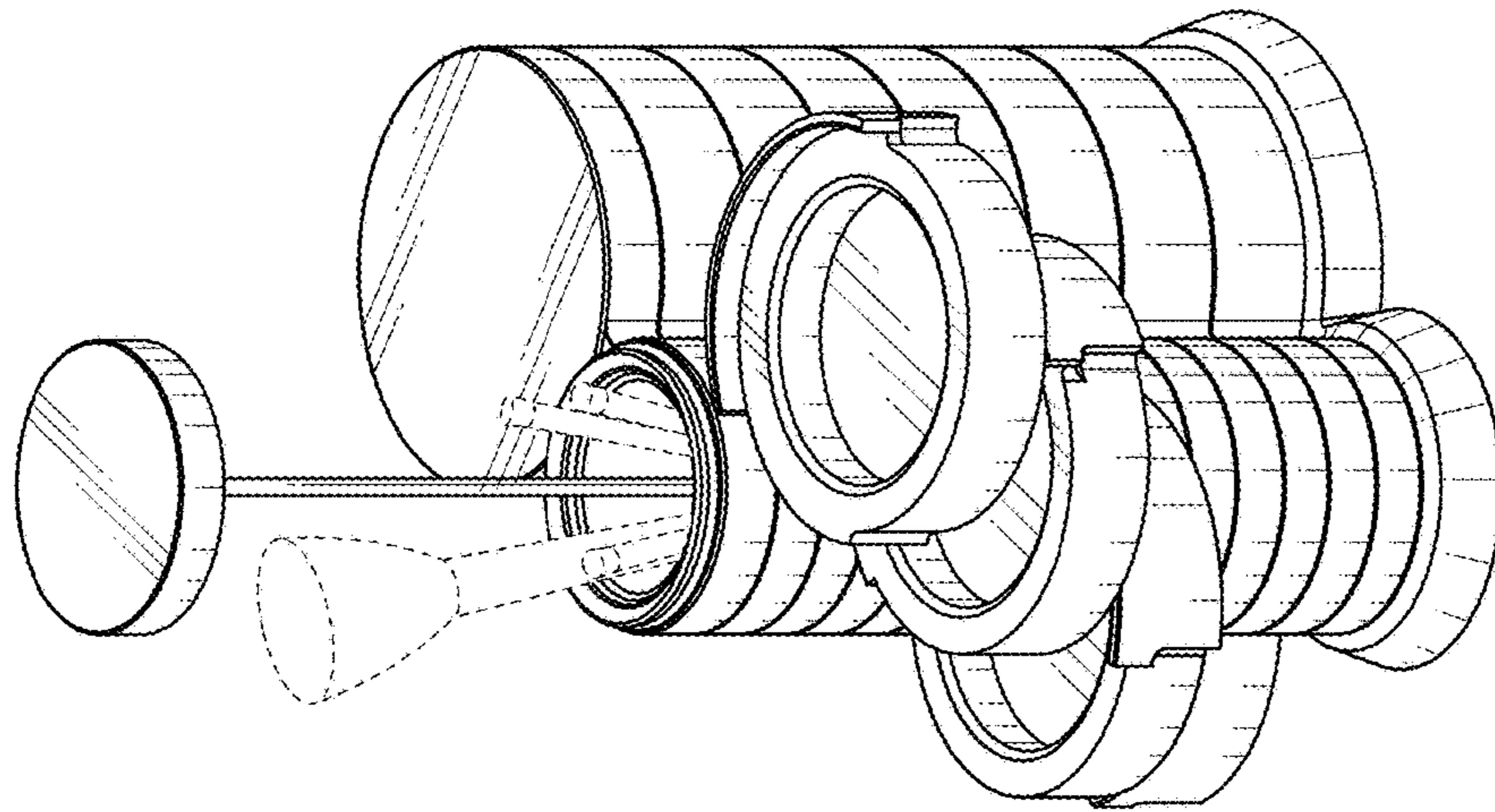


FIG. 12

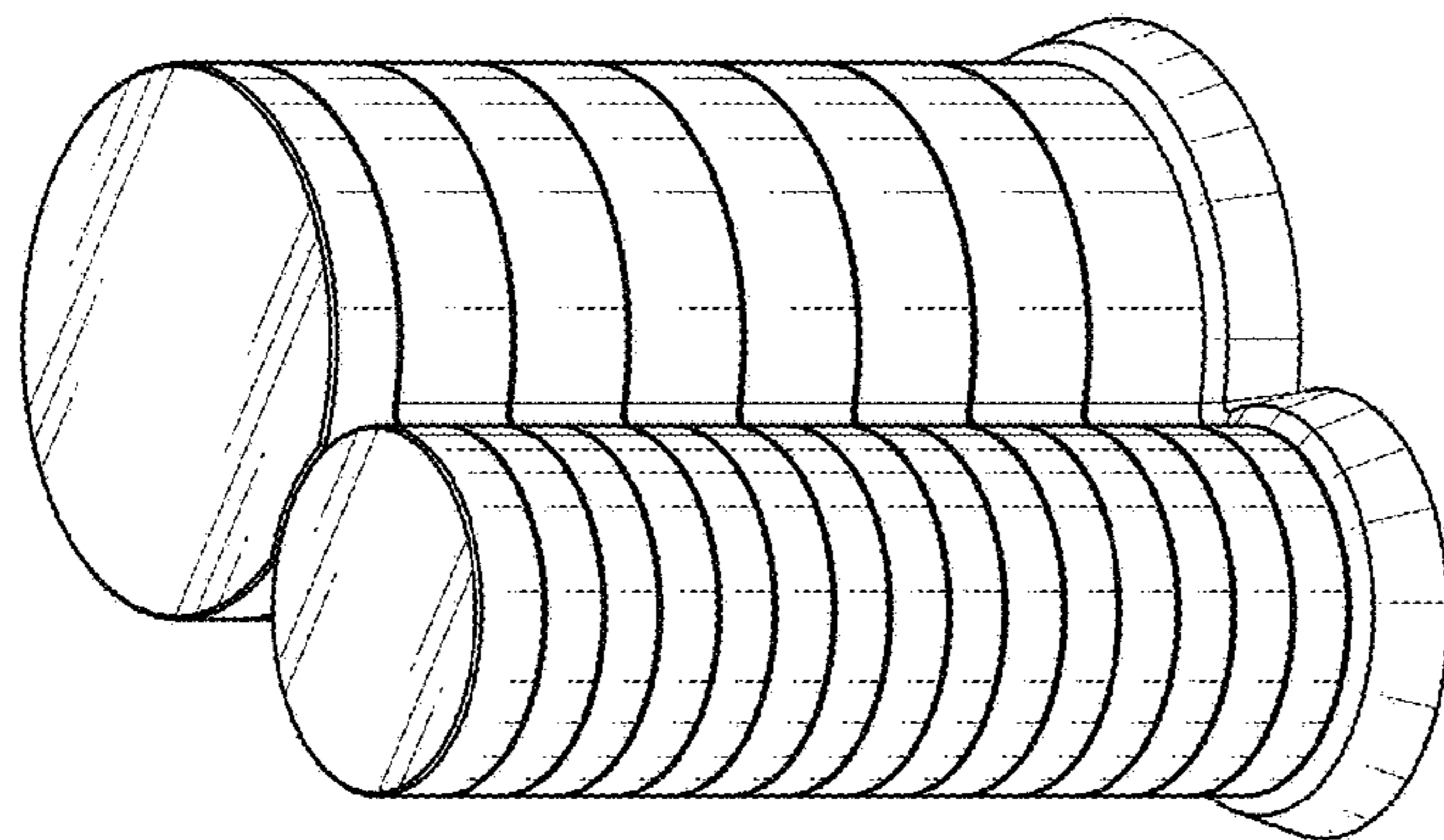


FIG. 11