

US00D833745S

(12) **United States Design Patent** (10) **Patent No.:** **US D833,745 S**
Barenbrug (45) **Date of Patent:** **** Nov. 20, 2018**

- (54) **SUITCASE**
- (71) Applicant: **Royalty Bugaboo GmbH**, Zug (CH)
- (72) Inventor: **Max Barenbrug**, Amsterdam (NL)
- (73) Assignee: **Royalty Bugaboo GmbH**, Zug (CH)
- (**) Term: **15 Years**
- (21) Appl. No.: **29/566,494**
- (22) Filed: **May 31, 2016**

D548,965 S *	8/2007	Aliberti	D3/283
D574,615 S *	8/2008	Picot	D3/289
D588,809 S *	3/2009	Shor	D3/287
D605,854 S *	12/2009	Gracer	D3/289
D625,518 S *	10/2010	Edwards	D3/276
D655,084 S *	3/2012	Shor	D3/276
D668,456 S *	10/2012	Du	D3/285
D672,959 S *	12/2012	Denzinger	D3/289
2004/0231941 A1 *	11/2004	Van Hoya	A45C 5/02 190/124
2006/0042732 A1 *	3/2006	Oh	A45C 3/04 150/107

(Continued)

Related U.S. Application Data

- (62) Division of application No. 29/481,661, filed on Feb. 7, 2014, now Pat. No. Des. 773,814.
- (51) **LOC (11) Cl.** **03-01**
- (52) **U.S. Cl.**
USPC **D3/287; D3/902**
- (58) **Field of Classification Search**
USPC D3/273, 276, 282, 283, 285, 287, 284,
D3/289, 290, 299, 301, 900, 902, 295,
D3/225, 215, 901
CPC A45C 2003/007; A45C 3/00; A45C 3/001;
A45C 2003/002; A45C 13/02; A45C
3/02; A45C 5/03; A45C 2013/223; A45C
2013/226; A45C 13/103
See application file for complete search history.

(56) **References Cited**

U.S. PATENT DOCUMENTS

5,813,558 A *	9/1998	Burke	A45C 9/00 150/112
5,918,711 A *	7/1999	Godshaw	A45C 7/0077 190/107
6,126,012 A *	10/2000	Roegner	A45C 3/00 150/112
6,298,993 B1 *	10/2001	Kalozdi	A45C 3/00 150/106
D455,551 S *	4/2002	Stephens	D3/276
D506,609 S *	6/2005	Hillman	D3/289

OTHER PUBLICATIONS

Bugaboo, "Bugaboo laptop Bag", Accessed Aug. 24, 2017. (https://www.bugaboo.com/US/en_US/luggage/accessories/detail/bugaboo-leather-laptop-bag).*

Primary Examiner — Jennifer Rivard
Assistant Examiner — April Rivas
(74) *Attorney, Agent, or Firm* — Charles Weigell, Esq.;
Fross, Zelnick, Lehrman & Zissu, P.C.

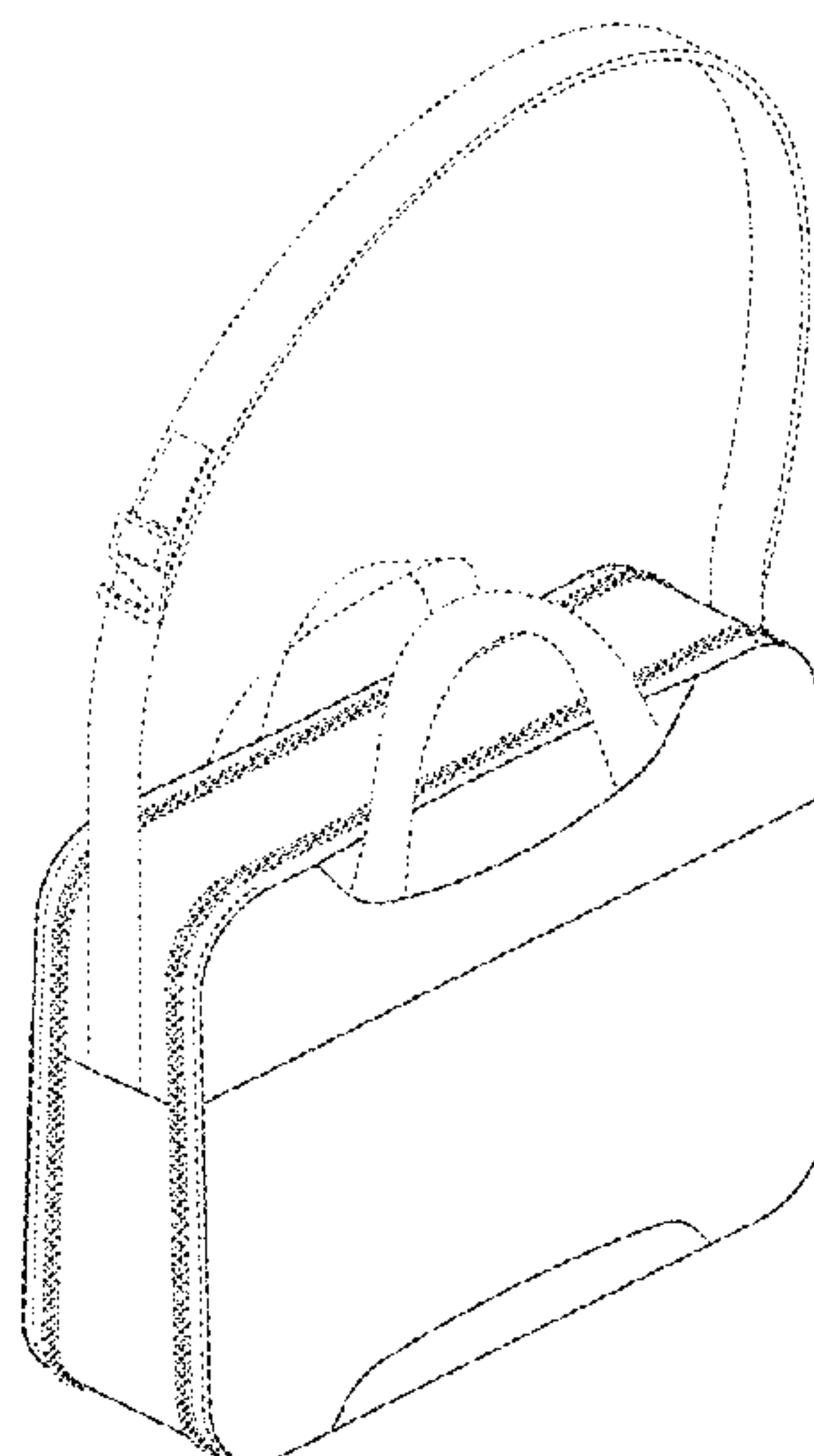
(57) **CLAIM**

The ornamental design for a suitcase, as shown and described.

DESCRIPTION

FIG. 1 is a front perspective view of a suitcase showing my new design;
FIG. 2 is a front view of the suitcase shown in FIG. 1;
FIG. 3 is a rear view of the suitcase shown in FIG. 1;
FIG. 4 is a side view of the suitcase shown in FIG. 1 (with the other side view being a mirror image thereof);
FIG. 5 is a top view of the suitcase shown in FIG. 1; and,
FIG. 6 is a front perspective view of the suitcase shown in FIG. 1, with the handles shown in an open position.
The broken lines illustrate portions of the suitcase and form no part of the claimed design.

1 Claim, 6 Drawing Sheets



(56)

References Cited

U.S. PATENT DOCUMENTS

2006/0207697 A1* 9/2006 Greiner A45C 7/0095
150/113

* cited by examiner

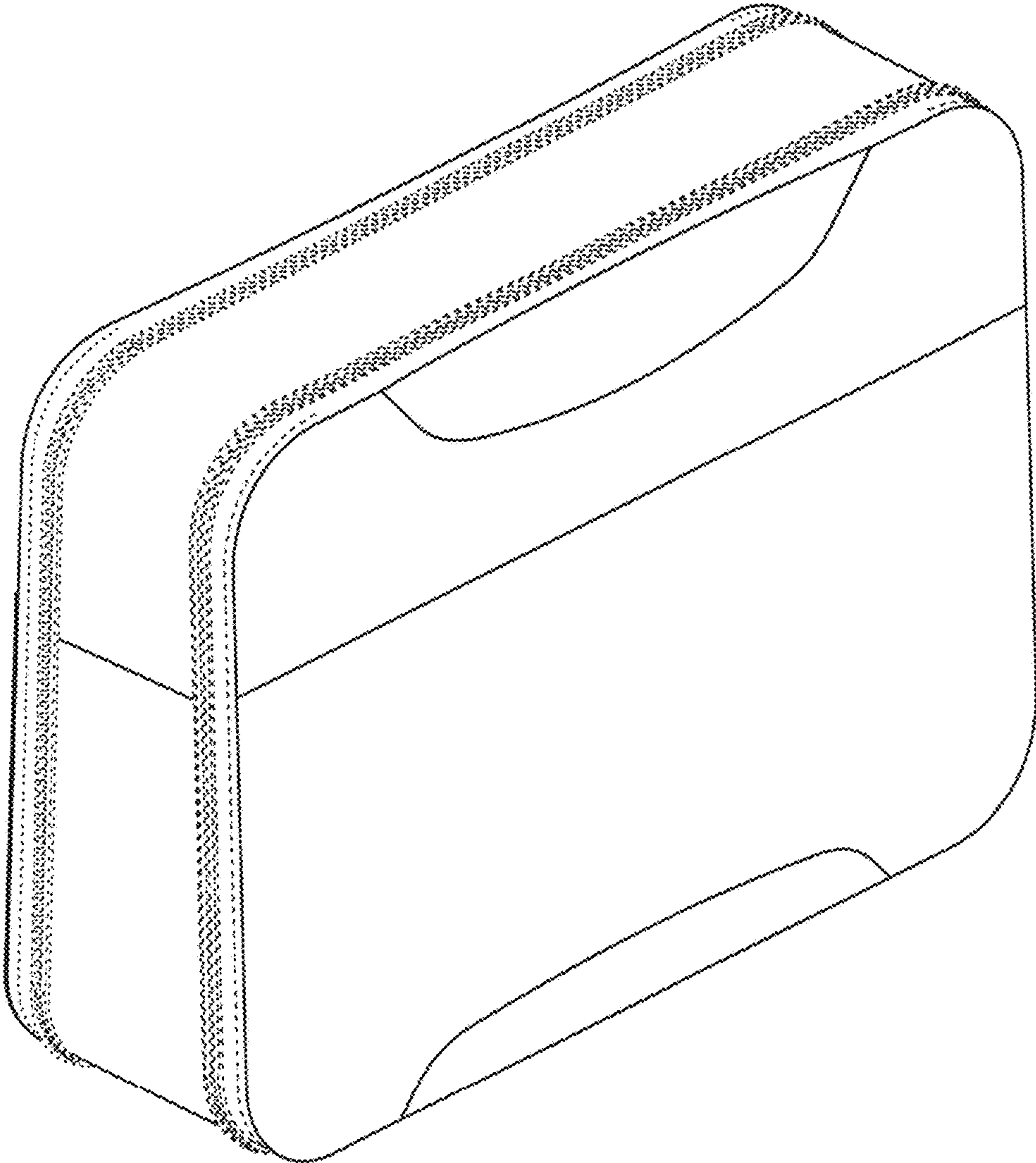


FIG. 1

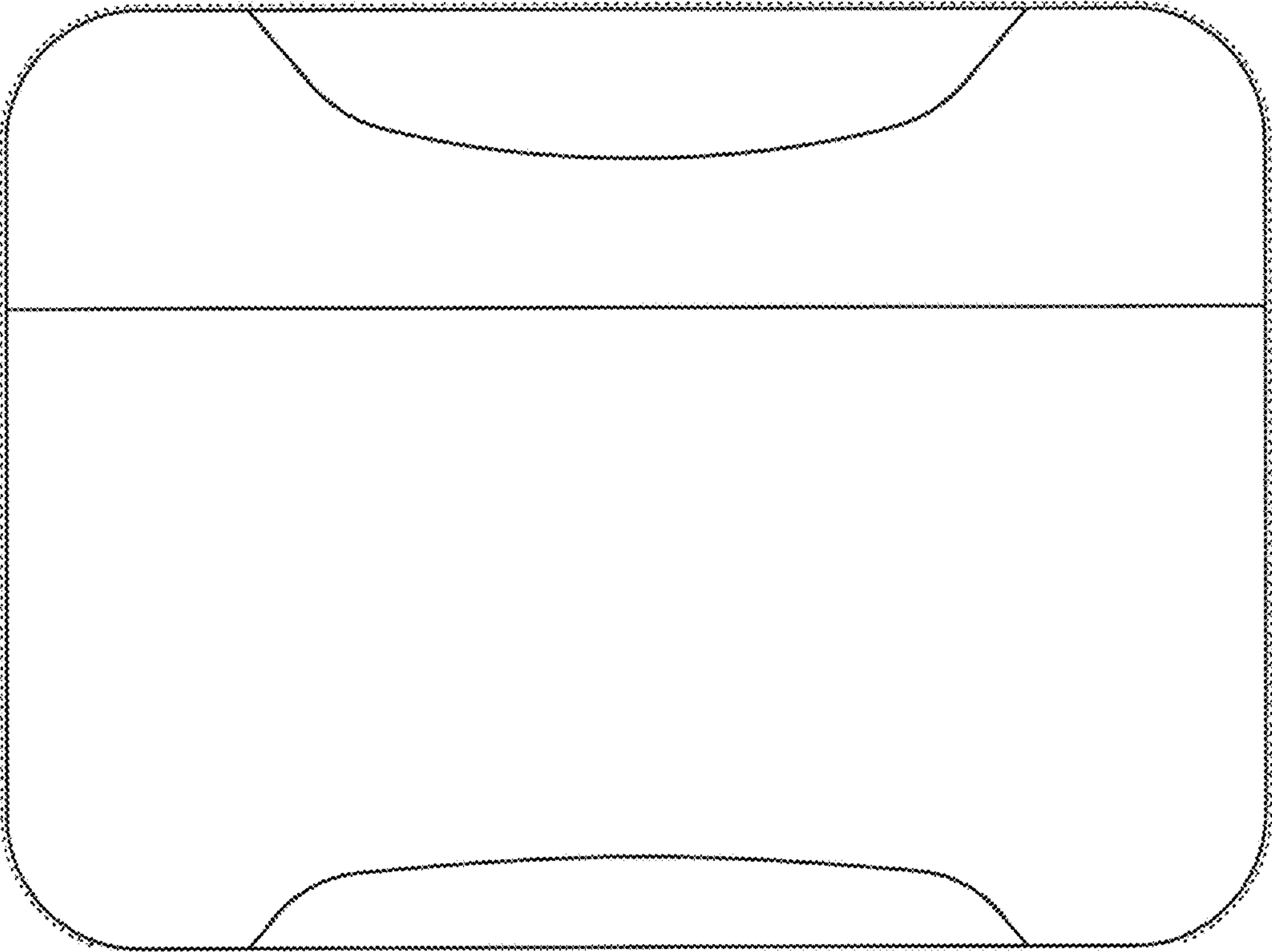


FIG. 2

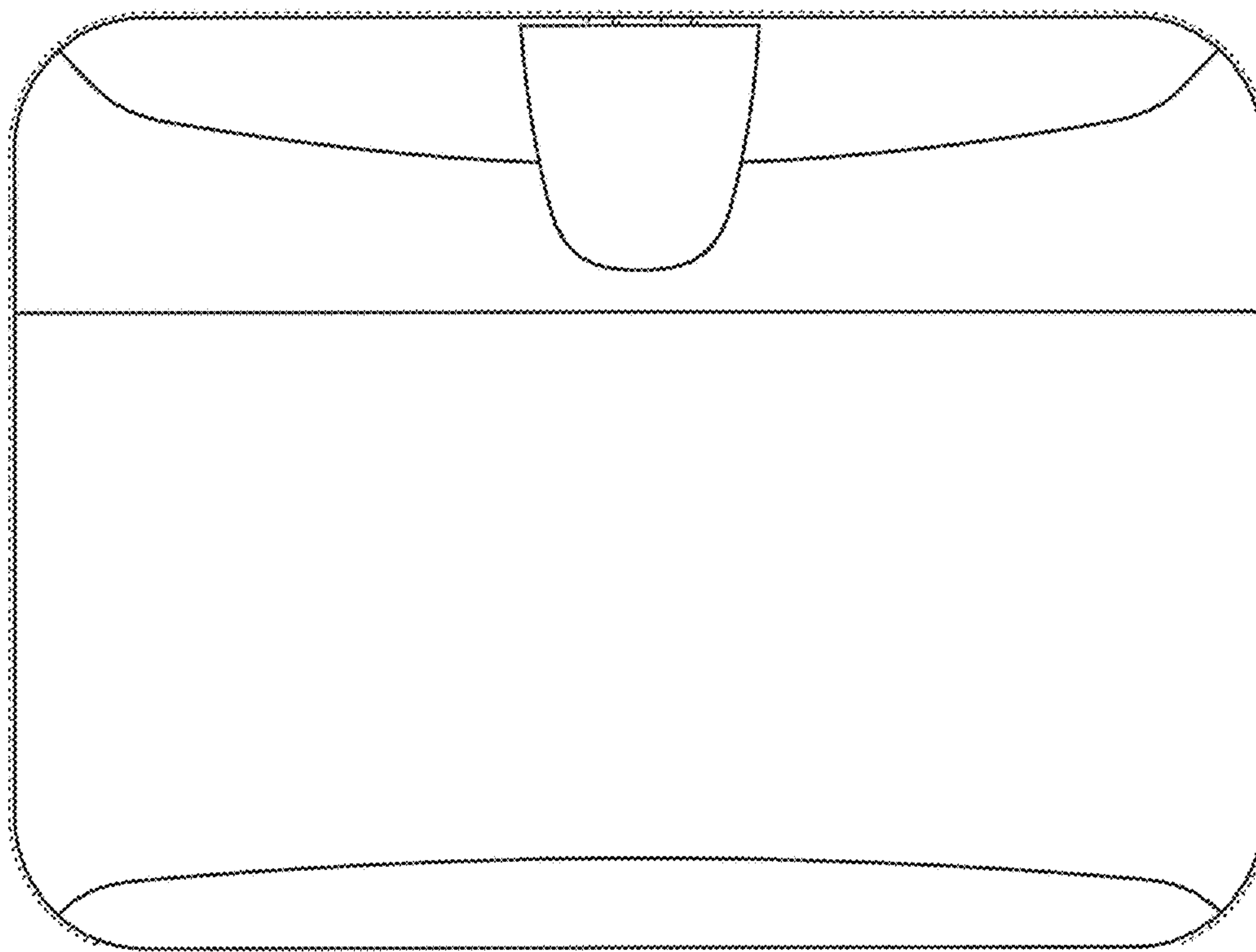


FIG. 3

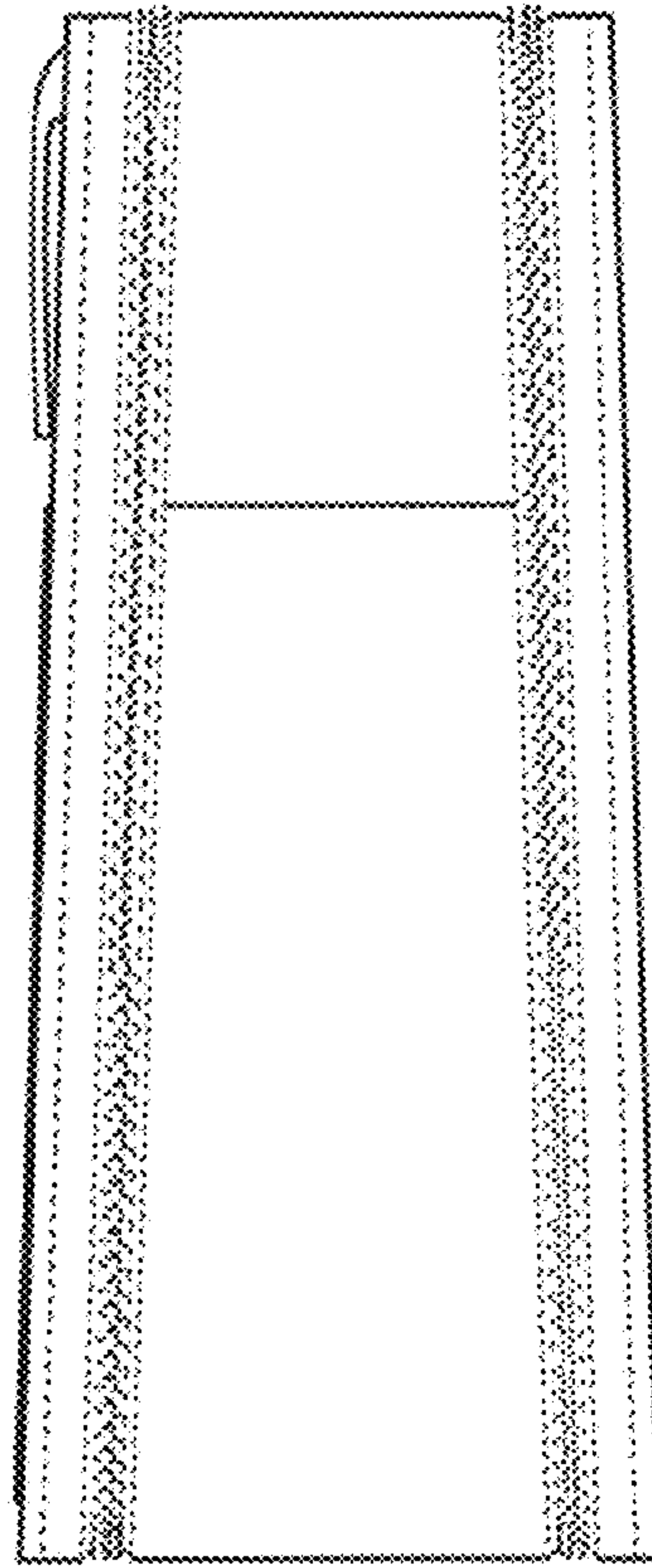


FIG. 4

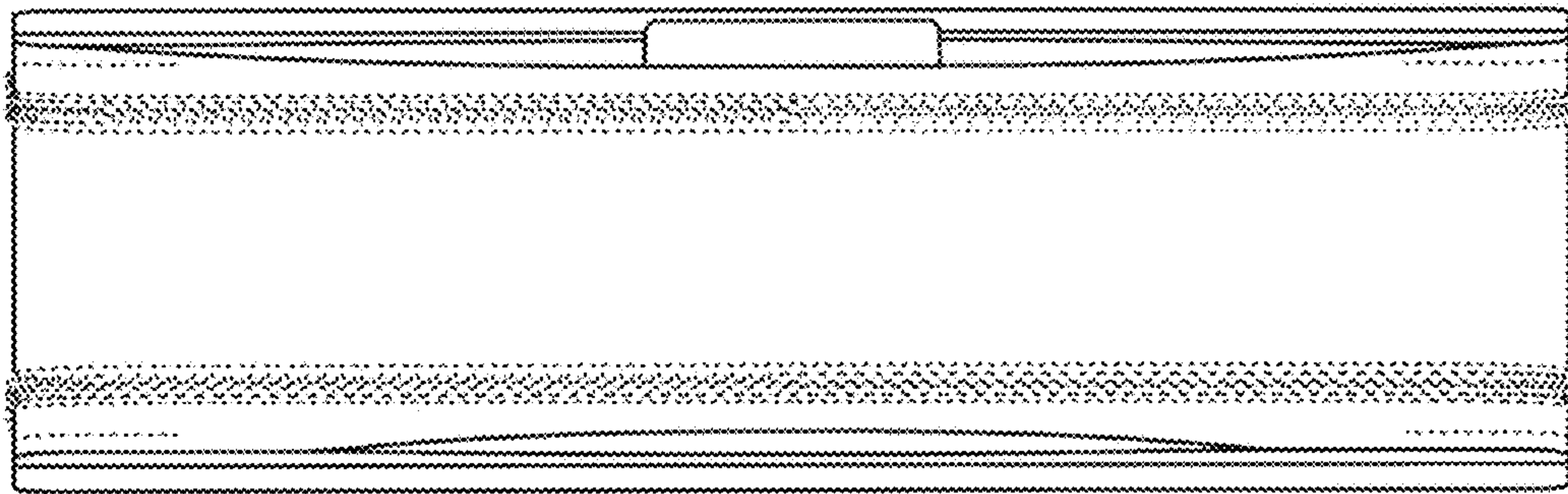


FIG. 5

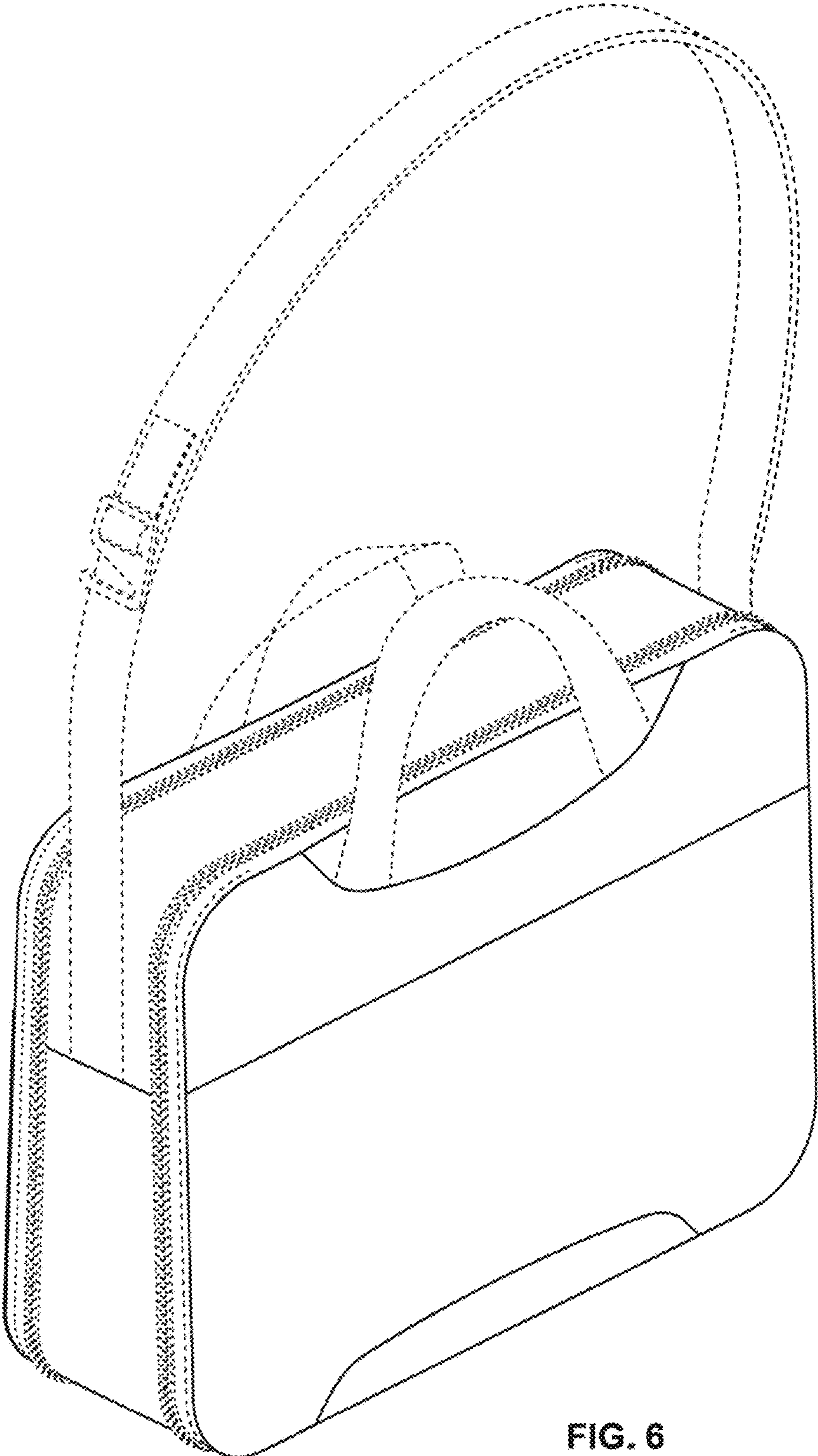


FIG. 6