



US00D833744S

(12) **United States Design Patent** (10) **Patent No.:** **US D833,744 S**
Yahav et al. (45) **Date of Patent:** **** Nov. 20, 2018**

(54) **WHEELED TOOL BOX**

(71) Applicant: **The Stanley Works Israel Ltd.**, Rosh Ha' Ayin (IL)
(72) Inventors: **Michal Yahav**, Hod Hasharon (IL); **Elad Hay Shitrit**, Tel Aviv (IL); **Danny Baruch**, Lapid (IL); **Mickey Menirom**, Raanana (IL)
(73) Assignee: **THE STANLEY WORKS ISRAEL LTD** (IL)

(**) Term: **15 Years**

(21) Appl. No.: **29/544,417**

(22) Filed: **Nov. 3, 2015**

(51) **LOC (11) Cl.** **03-01**

(52) **U.S. Cl.**
USPC **D3/279; D3/905**

(58) **Field of Classification Search**
USPC **D3/273, 276, 279, 281, 282, 283, 284, D3/291, 294, 295, 296, 297, 905, 900**
CPC **B25H 3/00; B25H 3/003; B25H 3/02**
See application file for complete search history.

(56) **References Cited**

U.S. PATENT DOCUMENTS

D674,605 S *	1/2013	Vilkomirski	D3/281
D703,436 S *	4/2014	Sabbag	D3/281
D703,437 S *	4/2014	Bar-Erez	D3/282
D710,098 S *	8/2014	Horowitz	D3/276
D735,995 S *	8/2015	Lin	D3/294
D738,106 S *	9/2015	Shitrit	D3/276
D742,640 S *	11/2015	Sabbag	D3/281
D749,845 S *	2/2016	Tonelli	D3/276
D753,394 S *	4/2016	Brunner	D3/276
D757,435 S *	5/2016	Damberg	A45C 13/02 D3/284
2006/0108970 A1 *	5/2006	Leasure	B25H 3/02 320/101
2013/0126542 A1 *	5/2013	Lorek	B25H 3/021 220/810

(Continued)

OTHER PUBLICATIONS

ToolGuyd, "New Dewalt DS450 Tough System Wheeled Tool Box", Posted Aug. 30, 2016, Accessed Feb. 13, 2017. (<http://toolguyd.com/dewalt-ds450-toughsystem-wheeled-tool-box/>).*

(Continued)

Primary Examiner — Jennifer Rivard

Assistant Examiner — April Rivas

(74) *Attorney, Agent, or Firm* — Carl E. Myers

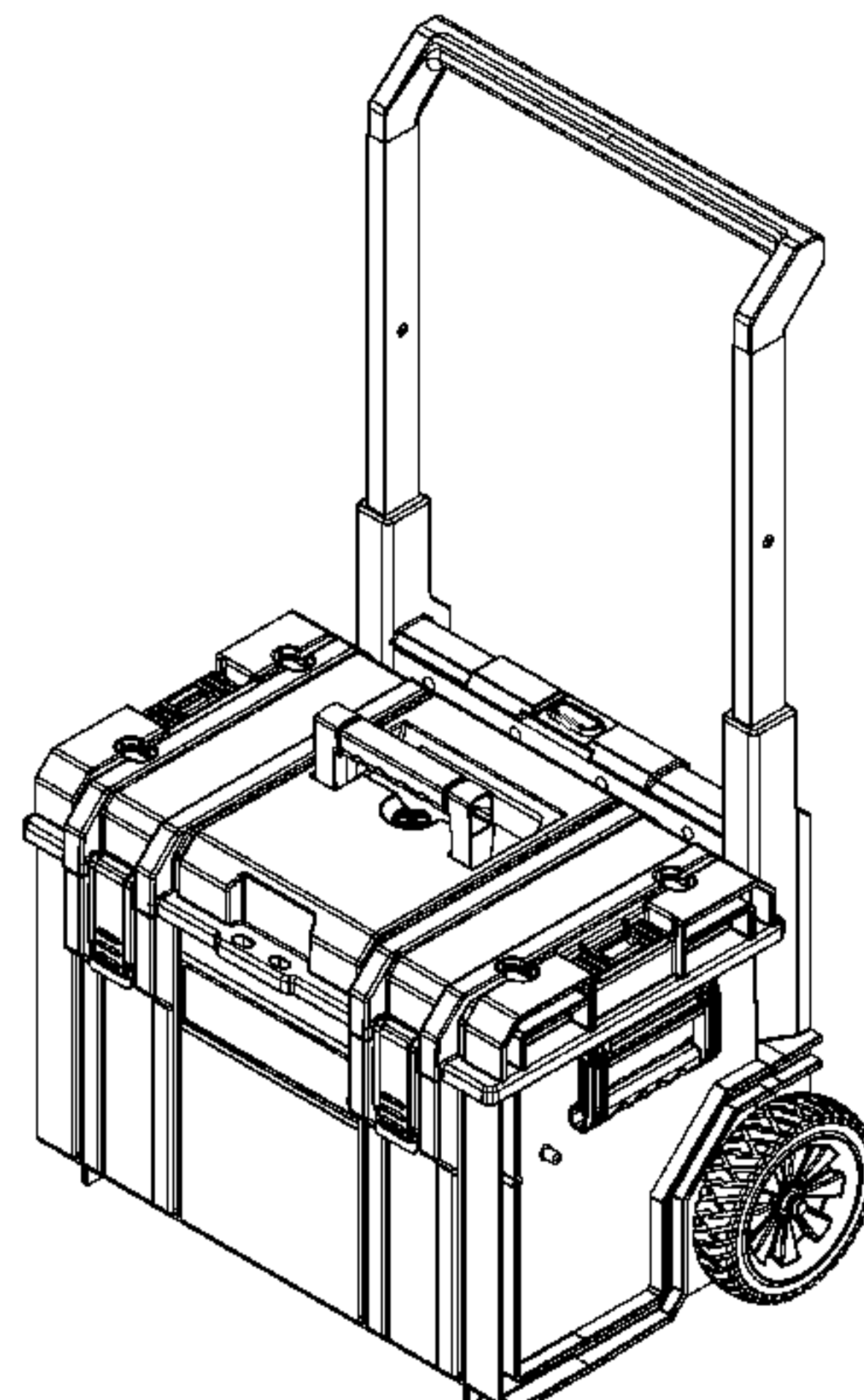
(57) **CLAIM**

The ornamental design for a wheeled tool box, as shown and described.

DESCRIPTION

FIG. 1 is a rear perspective view of our new design with the handled extended.
FIG. 2 is front perspective view.
FIG. 3 is a front view thereof.
FIG. 4 is a back view thereof.
FIG. 5 is a right side view thereof.
FIG. 6 is a left side view thereof.
FIG. 7 is a bottom view thereof.
FIG. 8 is a top view thereof.
FIG. 9 is a rear perspective view with the handle retracted.
FIG. 10 is front perspective view.
FIG. 11 is a front view thereof.
FIG. 12 is a back side view thereof.
FIG. 13 is a right side view thereof.
FIG. 14 is a left side view thereof.
FIG. 15 is a bottom view thereof; and,
FIG. 16 is a top view thereof.
The broken lines illustrated portions of the wheeled tool box and form no part of the claimed design.

1 Claim, 16 Drawing Sheets



(56)

References Cited

U.S. PATENT DOCUMENTS

2015/0165617 A1* 6/2015 Chern B25H 3/02
206/374

OTHER PUBLICATIONS

Amazon, "Tough System DS 300 Large Storage Unit (DWST08203)
by Dewalt", First for sale on Nov. 4, 2014. Accessed Feb. 13, 2017.
([https://www.amazon.com/Tough-System-Large-Storage-DWST08203/
dp/B00P84U00U](https://www.amazon.com/Tough-System-Large-Storage-DWST08203/dp/B00P84U00U)).*

* cited by examiner

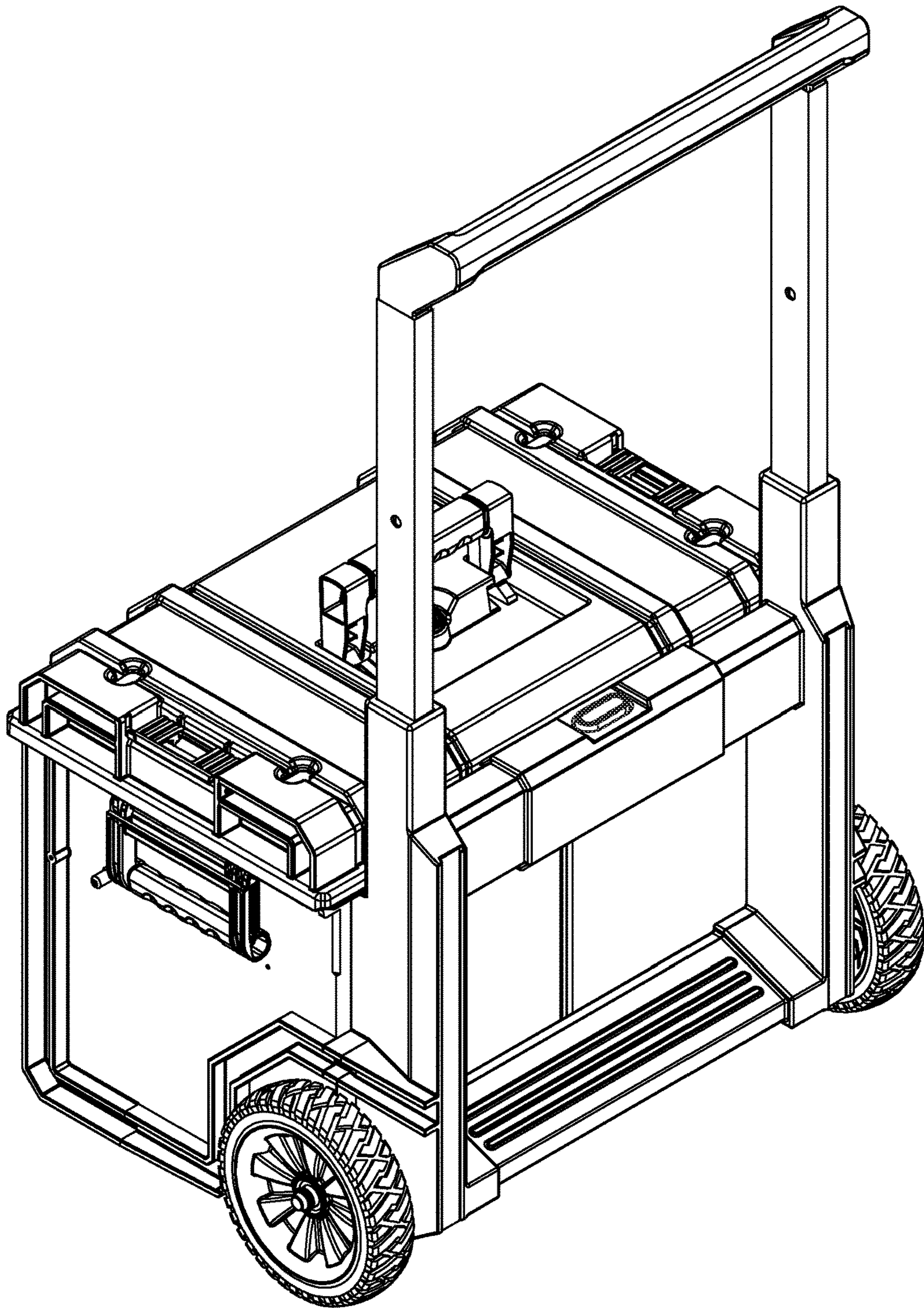


FIG. 1

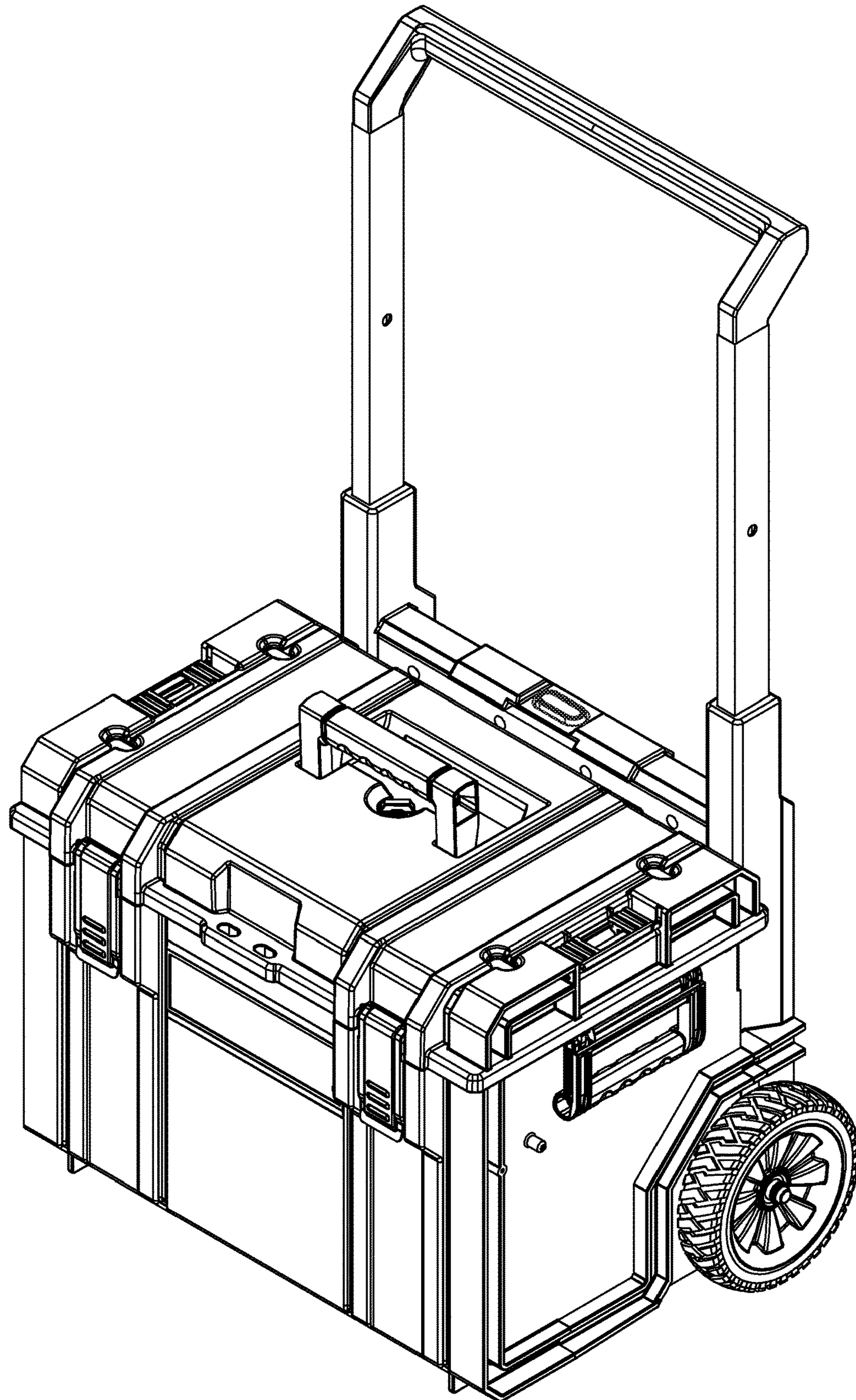


FIG. 2

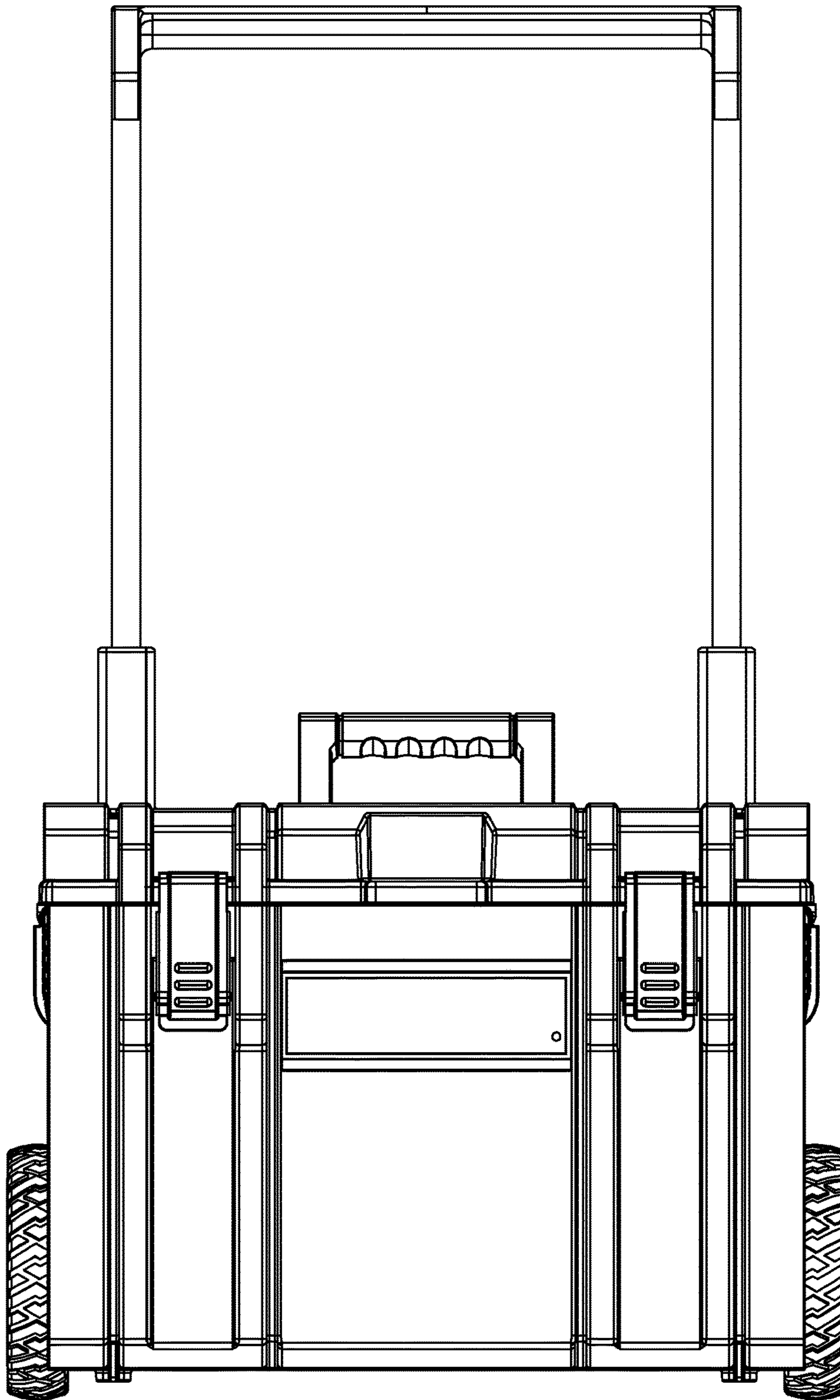


FIG. 3

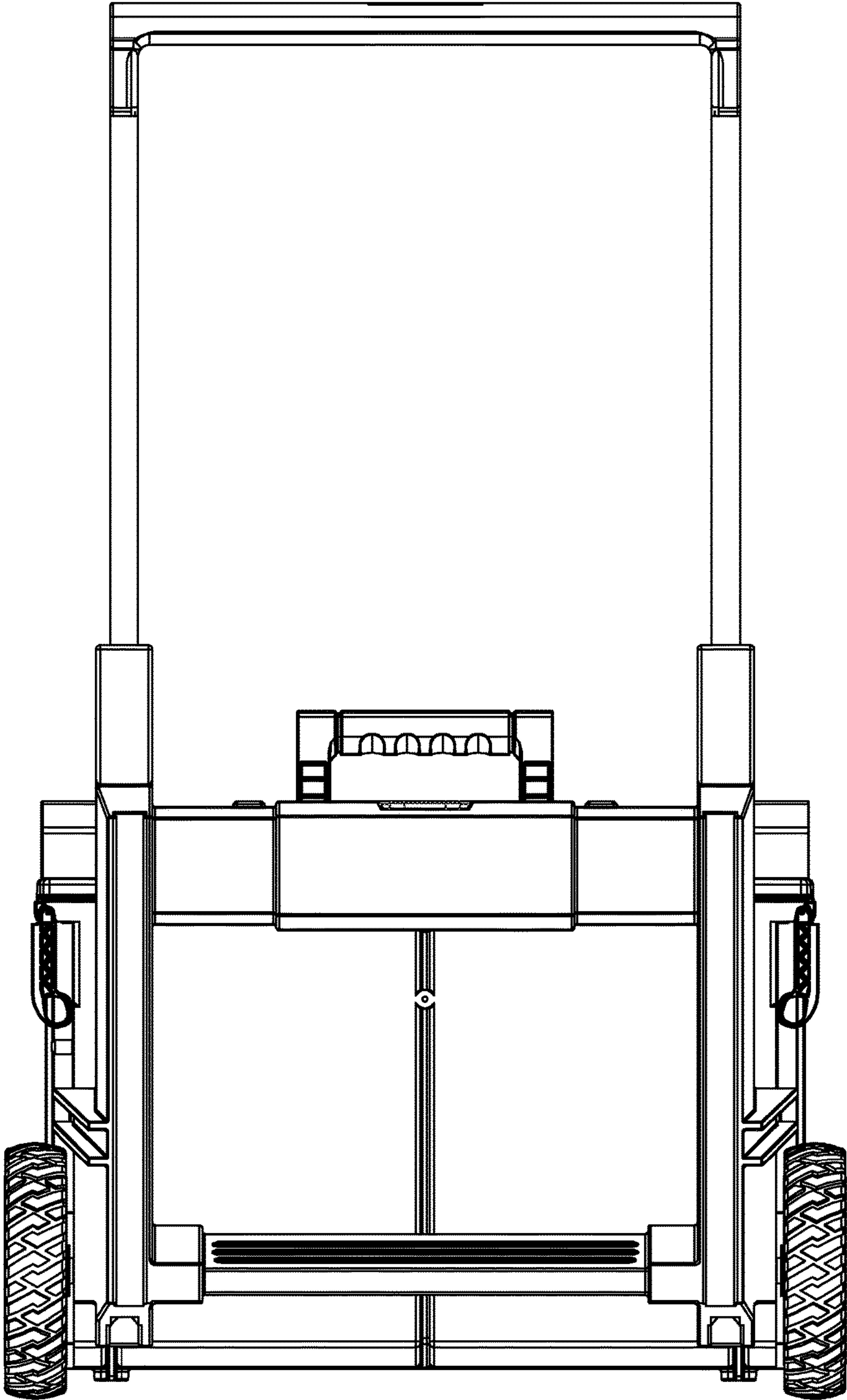


FIG. 4

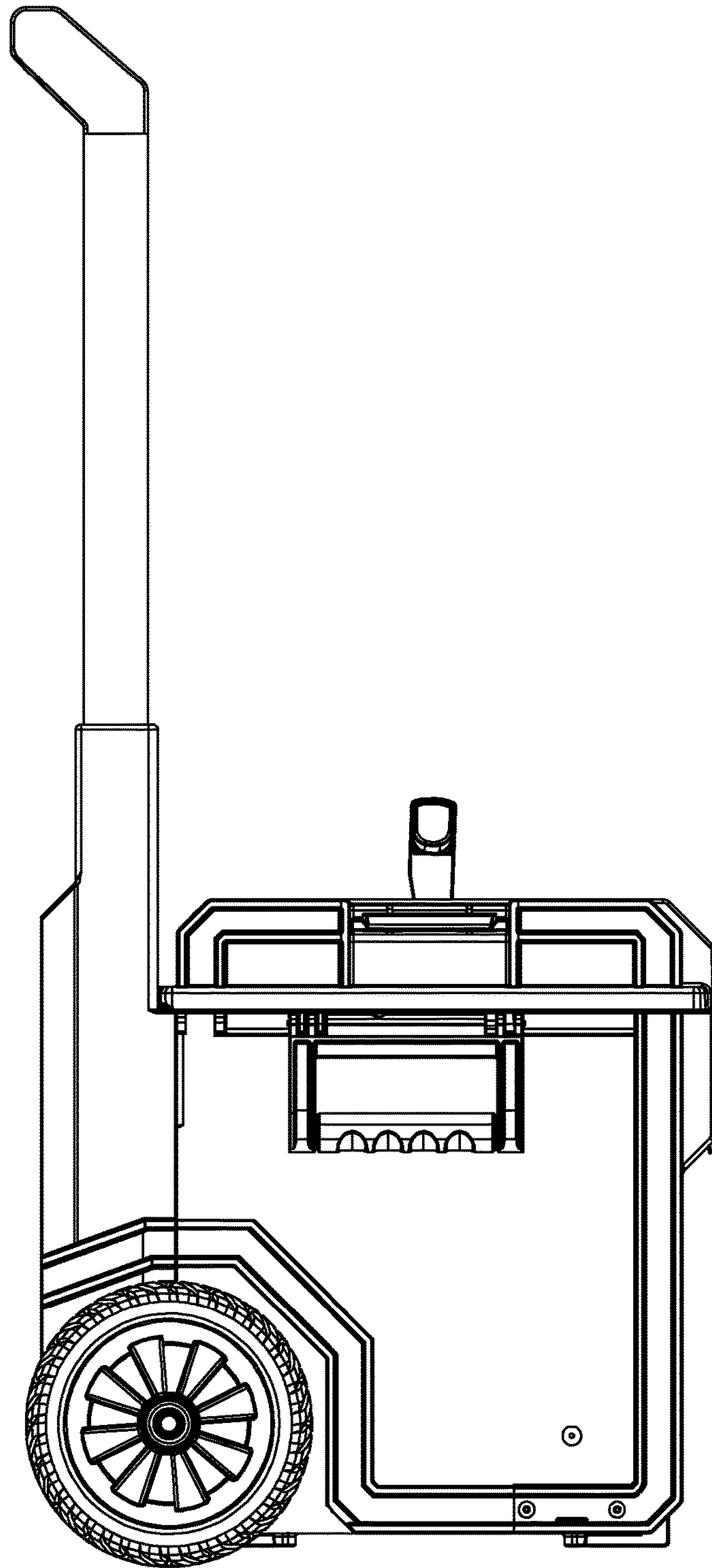


FIG. 5

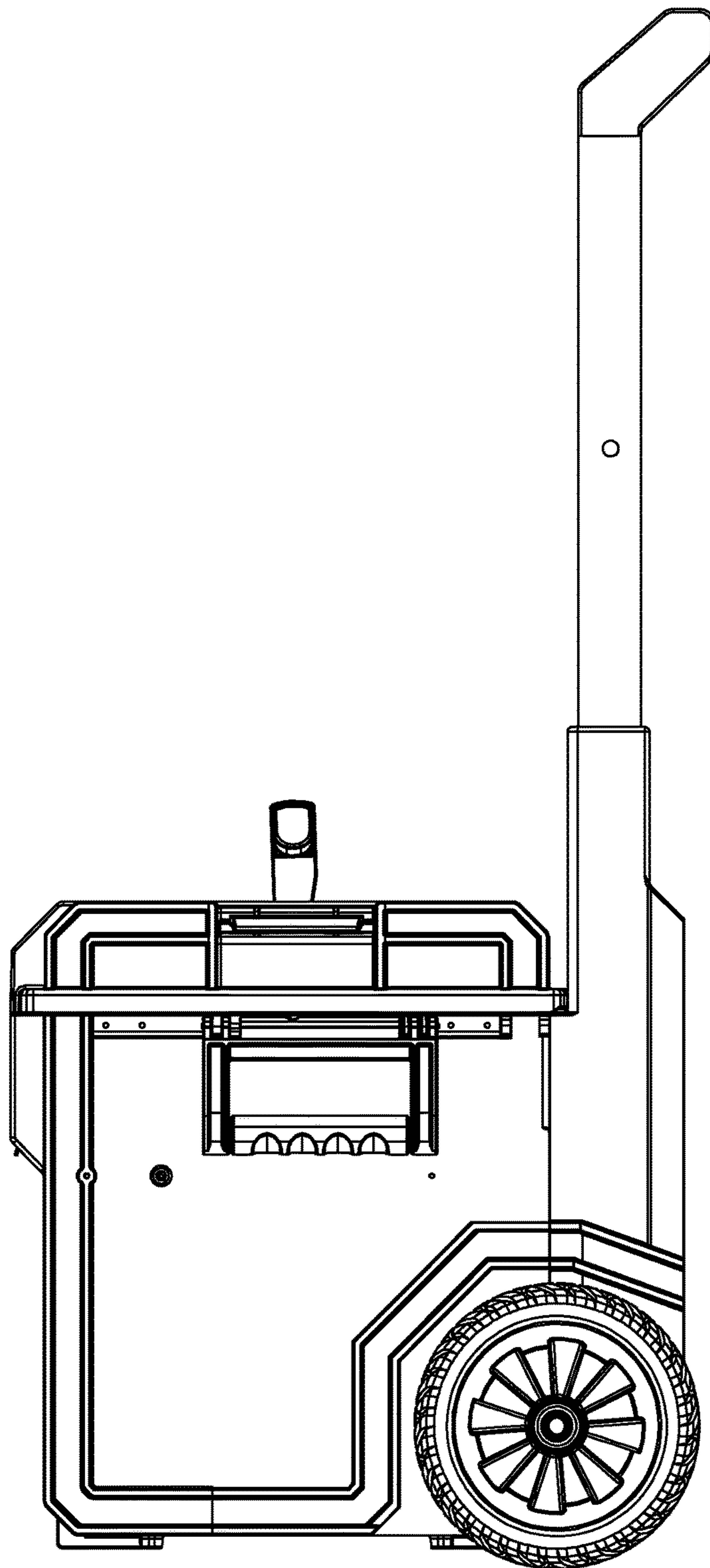


FIG. 6

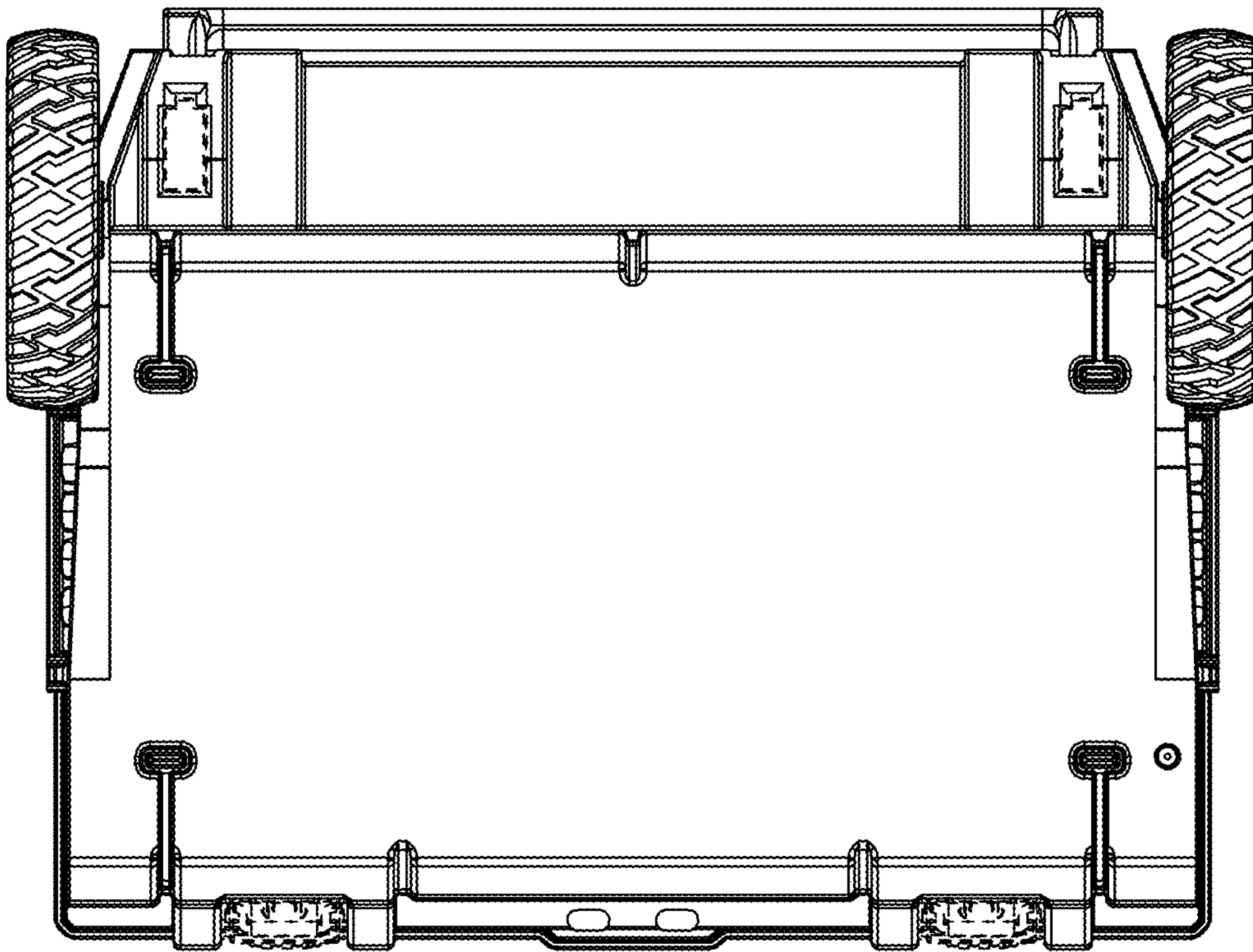


FIG. 7

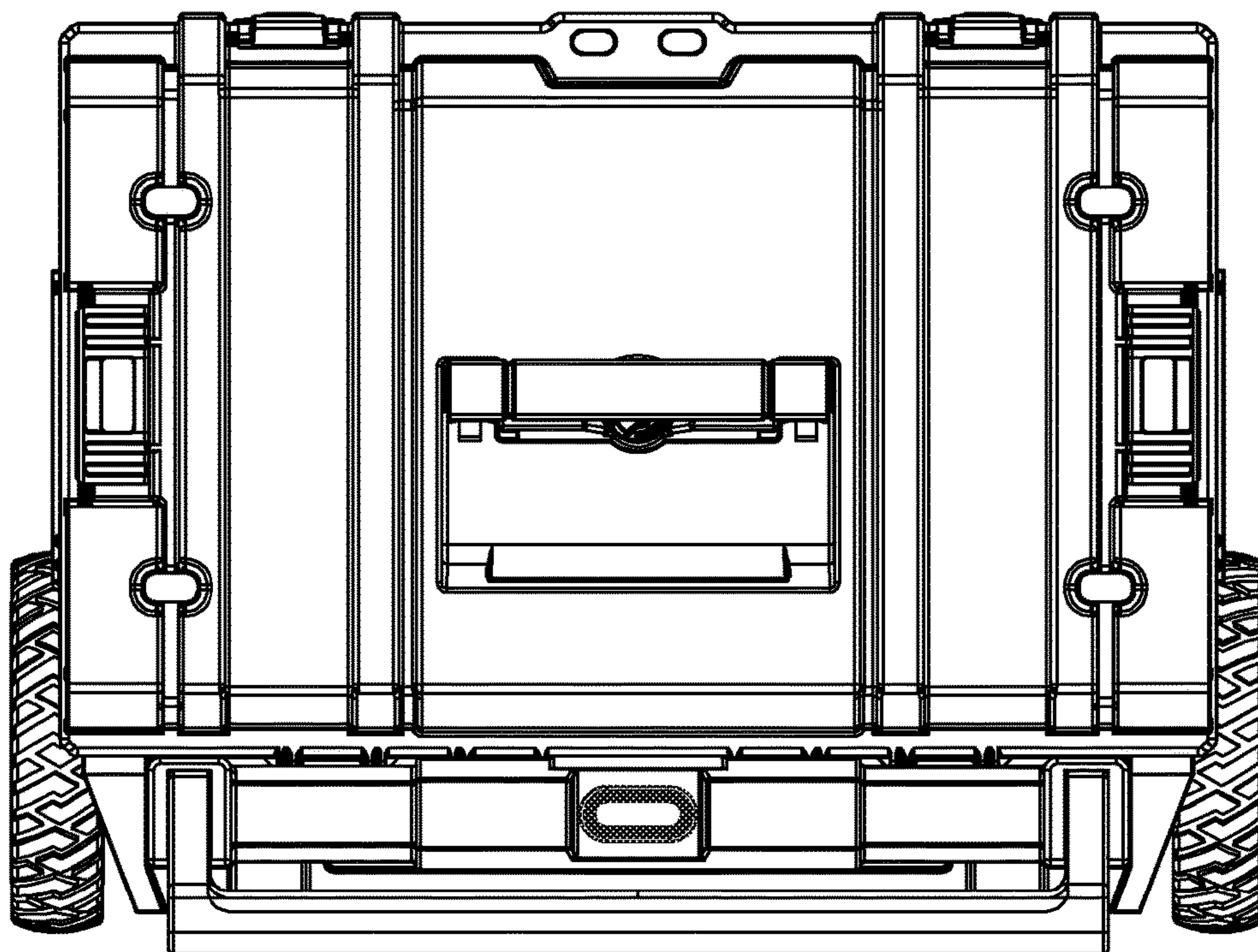


FIG. 8

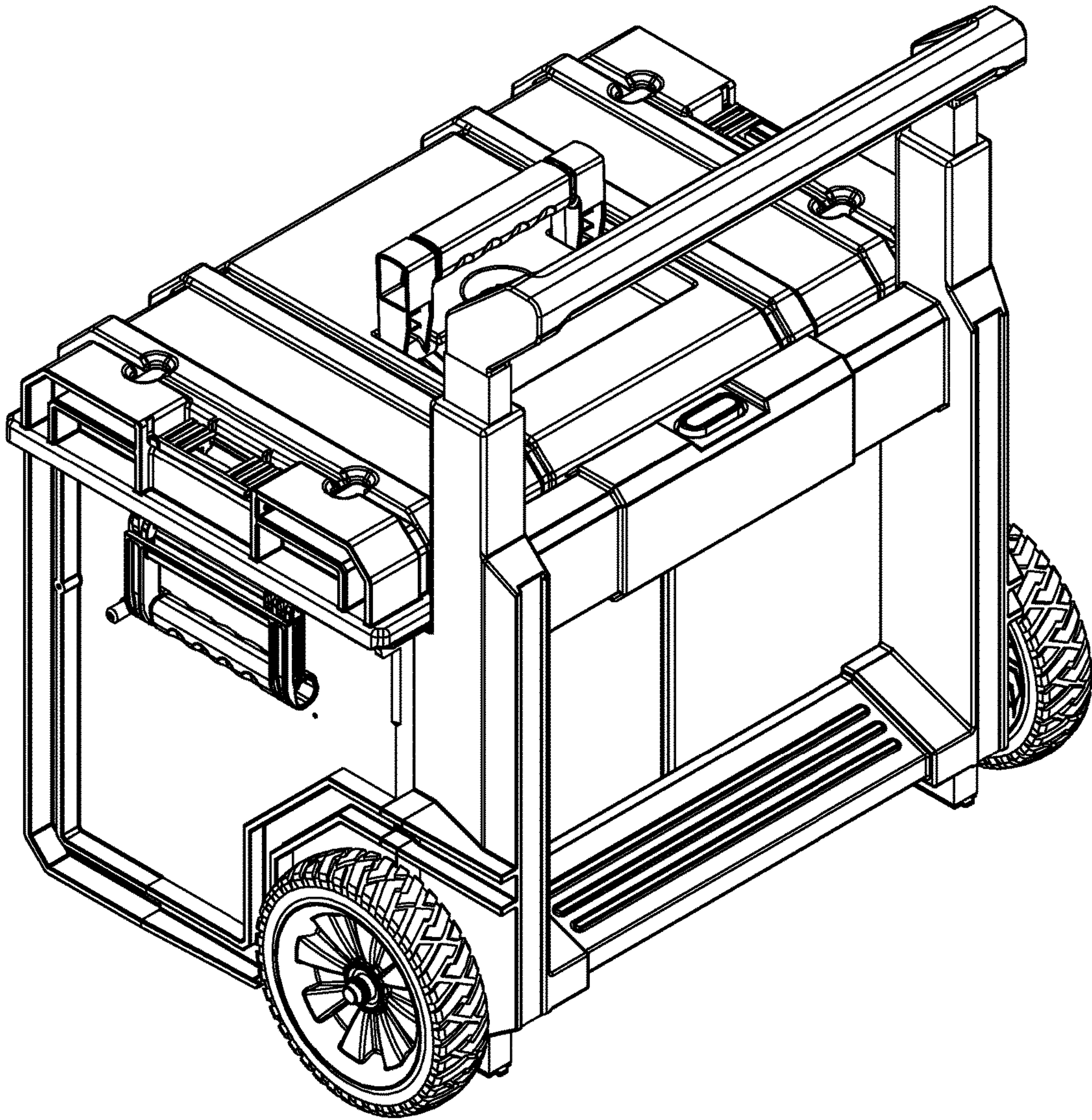


FIG. 9

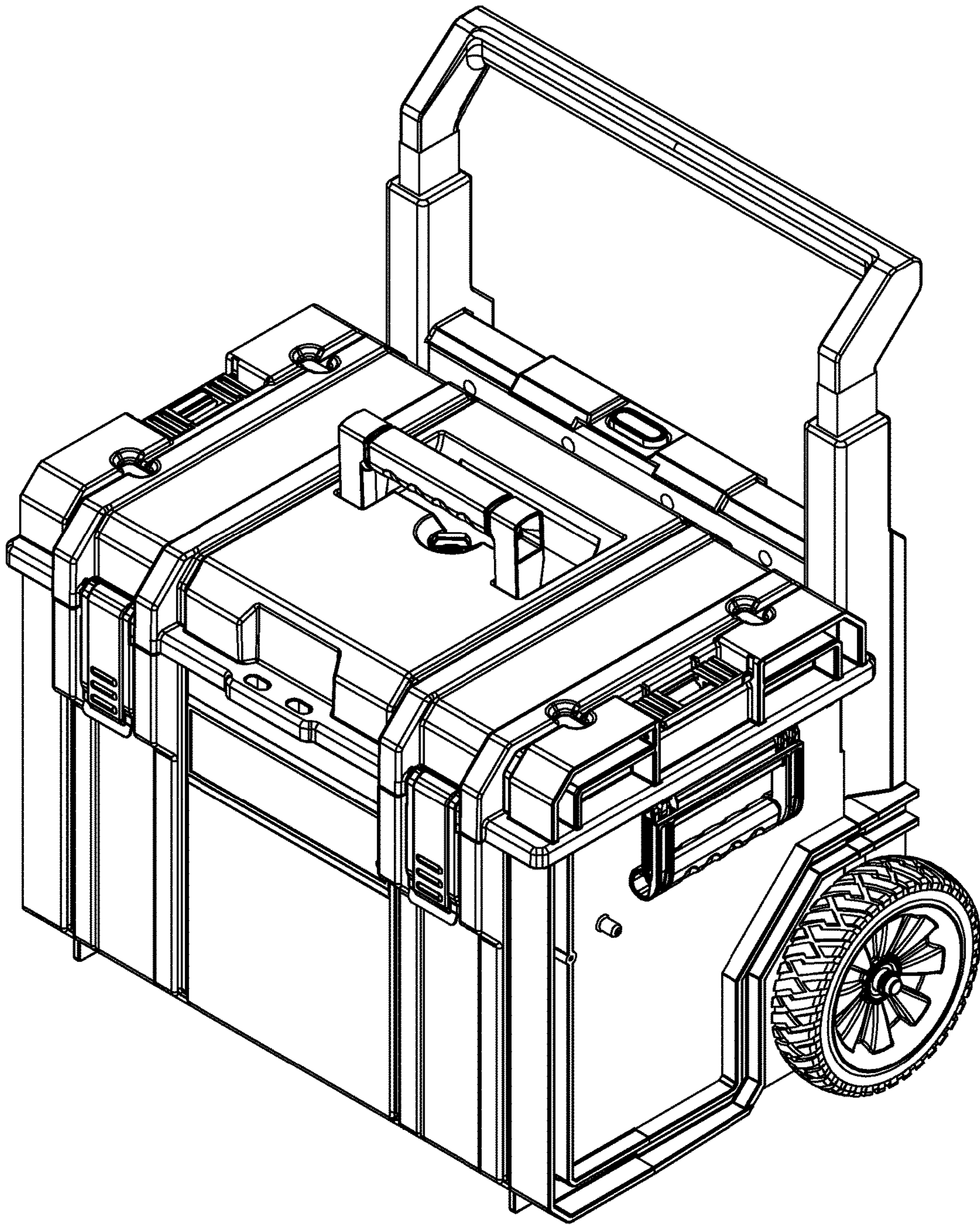


FIG. 10

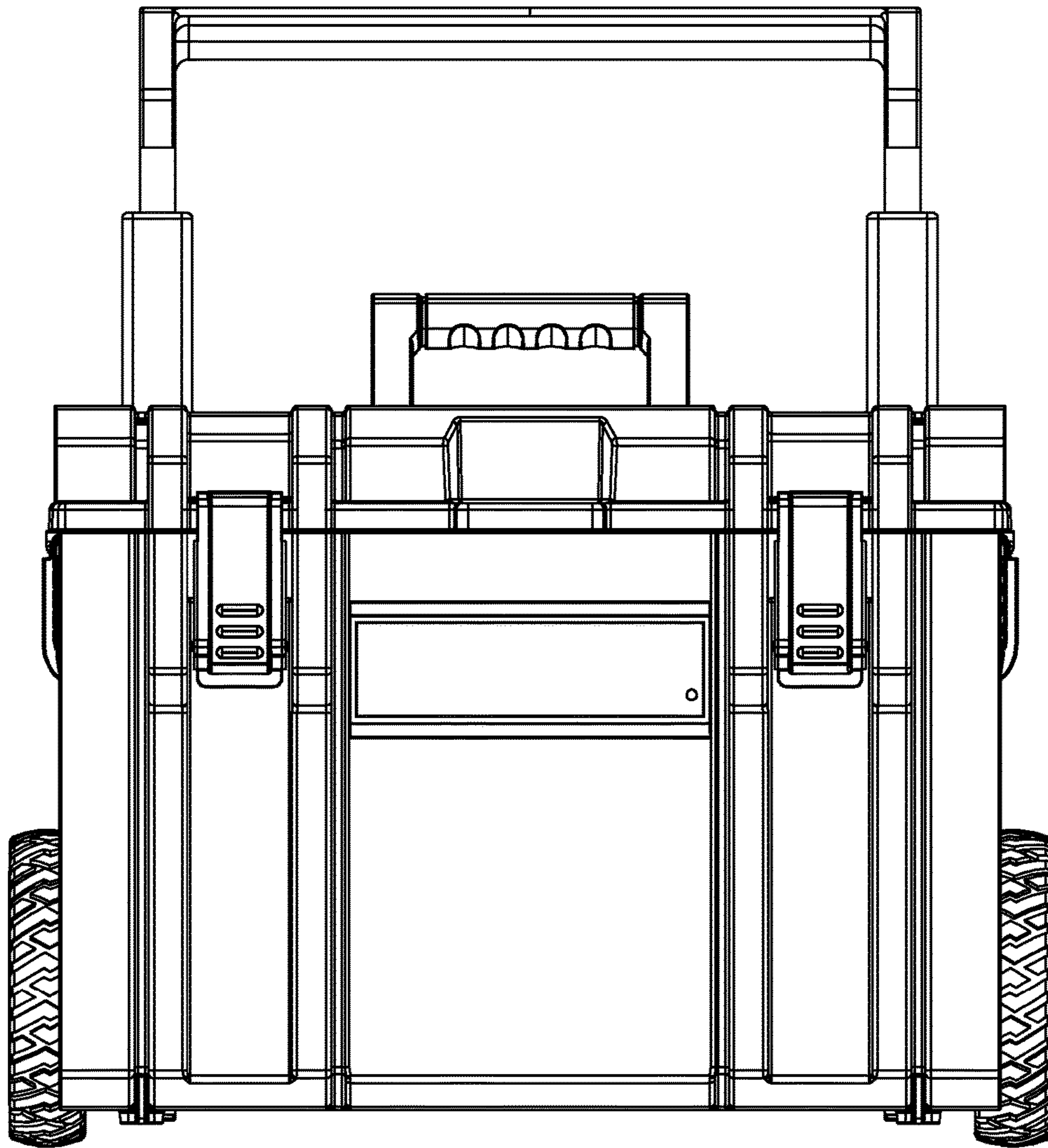


FIG. 11

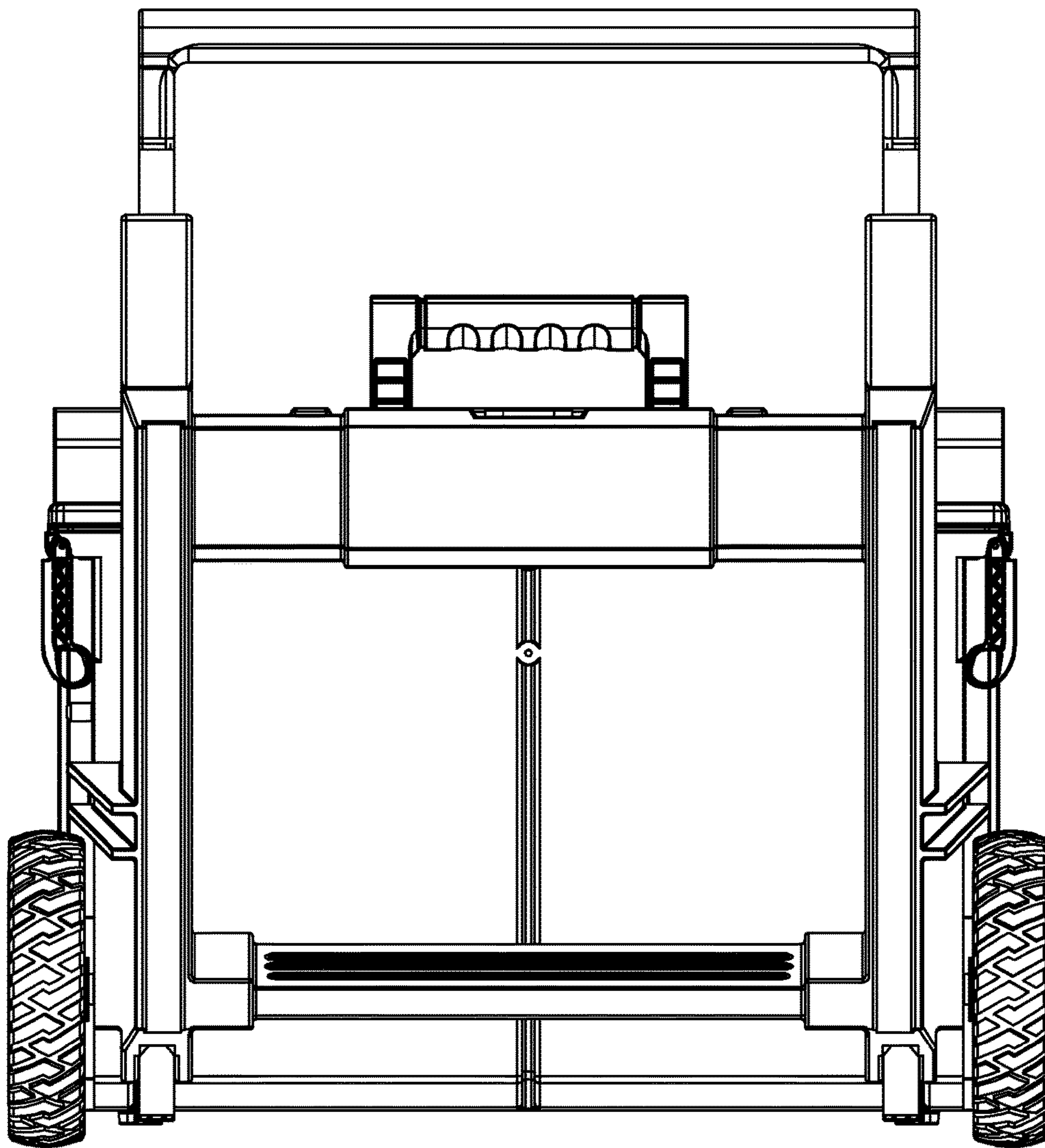


FIG. 12

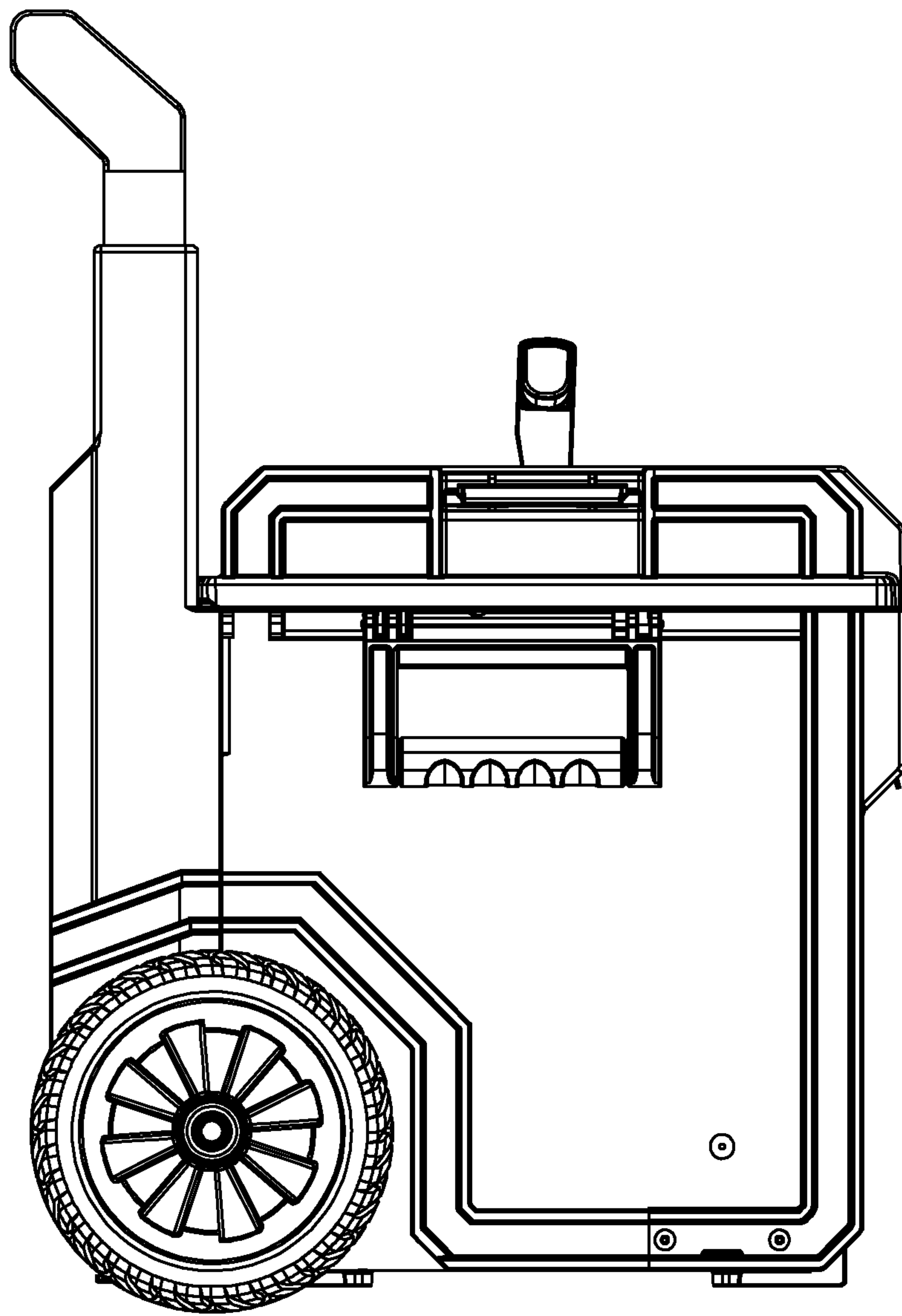


FIG. 13

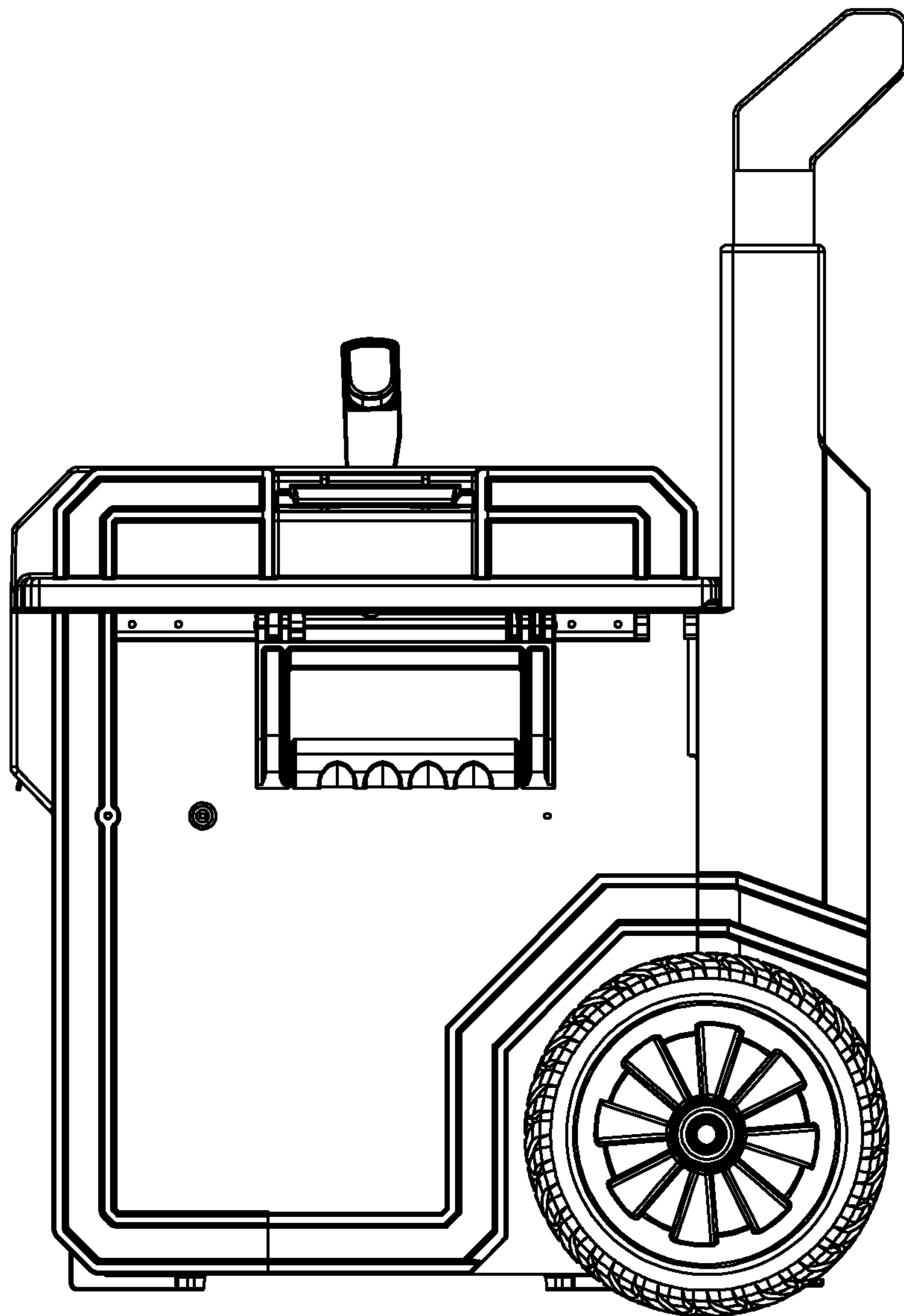


FIG. 14

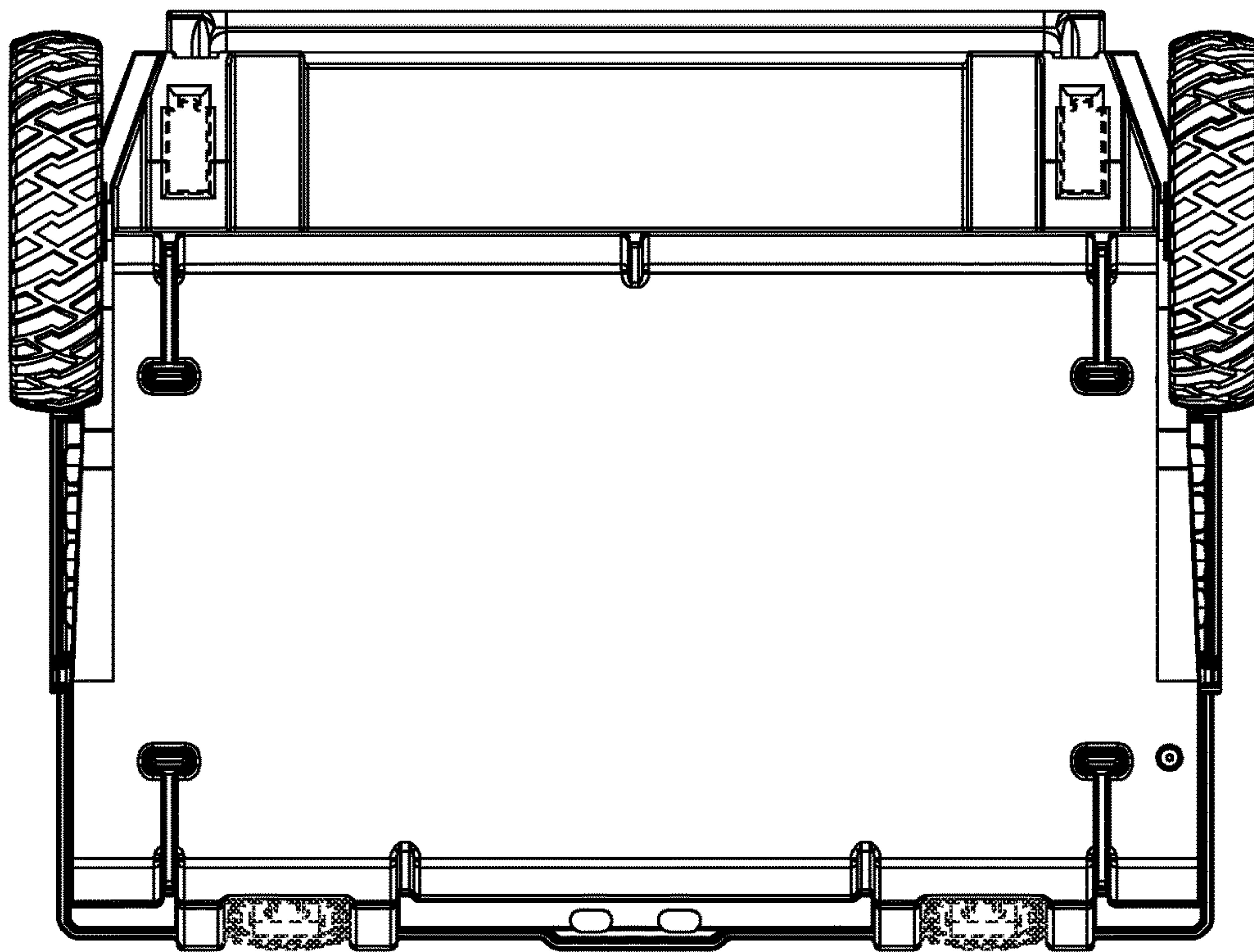


FIG. 15

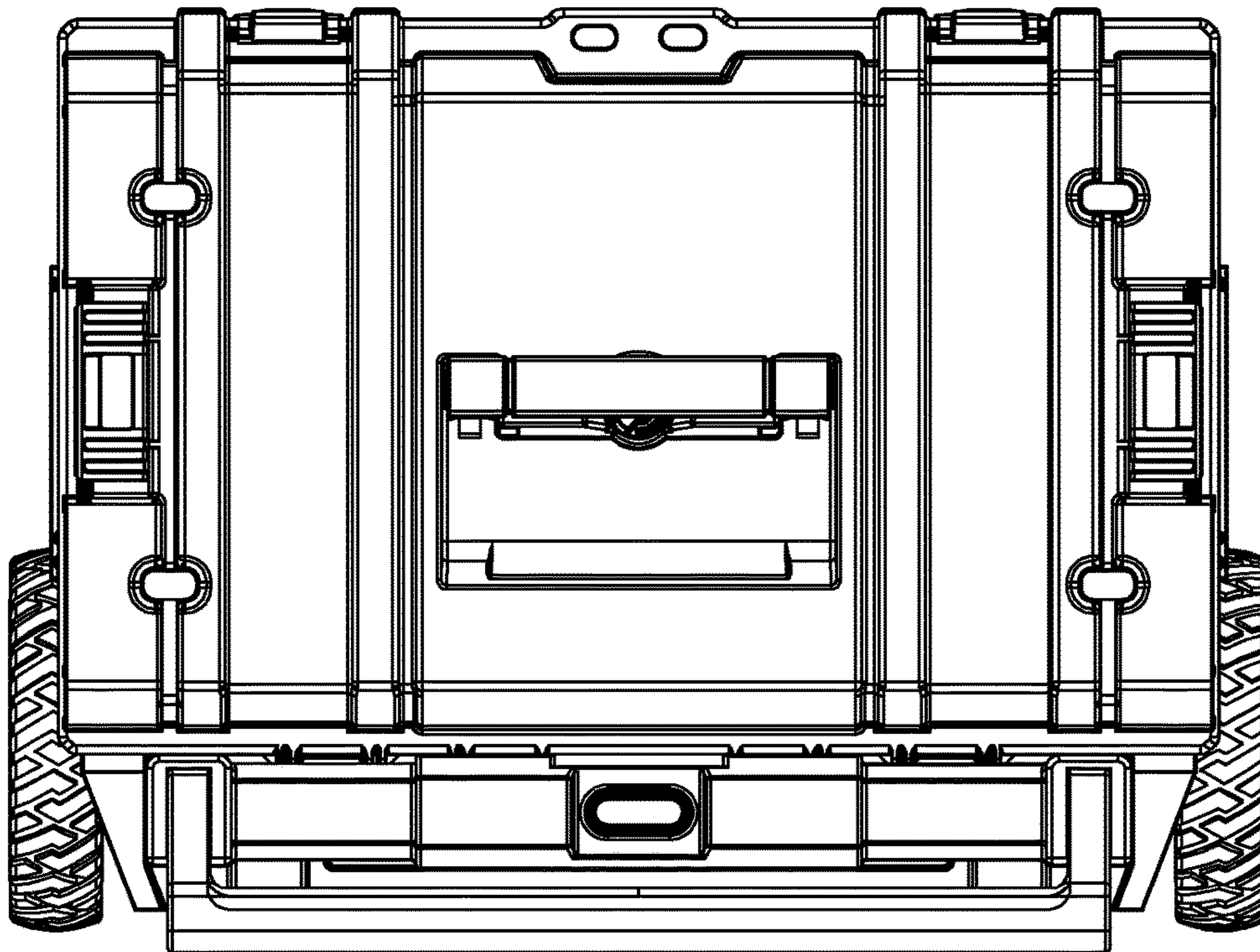


FIG. 16