



US00D833743S

(12) **United States Design Patent** (10) **Patent No.:** **US D833,743 S**  
**Tonelli** (45) **Date of Patent:** **\*\* Nov. 20, 2018**

(54) **TRUNK**

(71) Applicant: **G.T. LINE S.R.L.**, Valsamoggia,  
Frazione Crespellano (IT)

(72) Inventor: **Massimo Tonelli**, Casalecchio di Reno  
(IT)

(73) Assignee: **G.T. LINE S.R.L.**, Valsamoggia (IT)

(\*\*) Term: **14 Years**

(21) Appl. No.: **29/505,011**

(22) Filed: **Apr. 20, 2015**

(30) **Foreign Application Priority Data**

Oct. 22, 2014 (EM) ..... 002562322

(51) **LOC (11) Cl.** ..... **03-01**

(52) **U.S. Cl.**  
USPC ..... **D3/279; D3/905**

(58) **Field of Classification Search**

USPC ..... D3/272, 273, 274, 276, 281, 282, 288,  
D3/294, 905, 232, 239, 242, 245, 246

CPC . B25H 3/00; B25H 3/02; B25H 3/003; B25H  
3/006; B25H 3/021; B25H 3/022; B25H  
3/023; B25H 3/025; B25H 3/026; B25H  
3/027; B25H 3/028; A45C 5/00; A45C  
5/005; A45C 5/03; A45C 2005/037; A45C  
5/08; A45C 2005/10

See application file for complete search history.

(56) **References Cited**

**U.S. PATENT DOCUMENTS**

D441,954 S \* 5/2001 Parker ..... D3/273  
D467,425 S \* 12/2002 Hardigg ..... D3/276

(Continued)

*Primary Examiner* — Jennifer Rivard

*Assistant Examiner* — April Rivas

(74) *Attorney, Agent, or Firm* — Cantor Colburn LLP

(57) **CLAIM**

The ornamental design for a trunk, as shown.

**DESCRIPTION**

FIG. 1 is a perspective view of a trunk showing my new design in a first embodiment;

FIG. 2 is a front view thereof;

FIG. 3 is a rear view thereof;

FIG. 4 is a left side view thereof;

FIG. 5 is a right side view thereof;

FIG. 6 is a top view thereof;

FIG. 7 is a bottom view thereof;

FIG. 8 is a perspective view of a trunk showing my new design in a second embodiment;

FIG. 9 is a front view thereof;

FIG. 10 is a rear view thereof;

FIG. 11 is a left side view thereof;

FIG. 12 is a right side view thereof;

FIG. 13 is a top view thereof;

FIG. 14 is a bottom view thereof;

FIG. 15 is a perspective view of a trunk showing my new design in a third embodiment;

FIG. 16 is a front view thereof;

FIG. 17 is a rear view thereof;

FIG. 18 is a left side view thereof;

FIG. 19 is a right side view thereof;

FIG. 20 is a top view thereof;

FIG. 21 is a bottom view thereof;

FIG. 22 is a perspective view of a trunk showing my new design in a fourth embodiment;

FIG. 23 is a front view thereof;

FIG. 24 is a rear view thereof;

FIG. 25 is a left side view thereof;

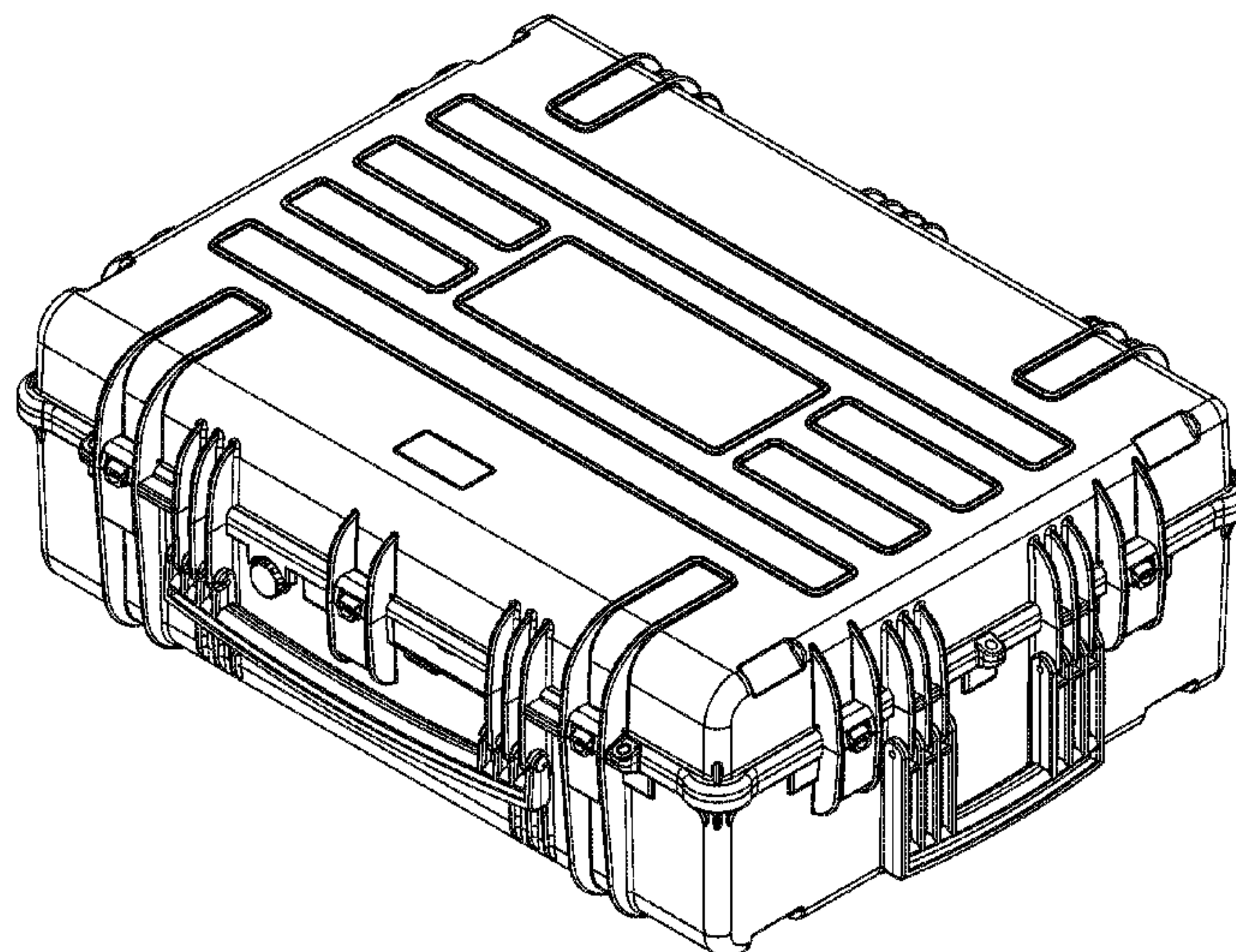
FIG. 26 is a right side view thereof;

FIG. 27 is a top view thereof; and,

FIG. 28 is a bottom view thereof.

The broken lines illustrate portions of the trunk and form no part of the claimed design.

**1 Claim, 28 Drawing Sheets**



(56)

**References Cited**

U.S. PATENT DOCUMENTS

D520,237 S \* 5/2006 Cheng ..... D3/276  
7,370,891 B1 \* 5/2008 Schmitt ..... E05B 17/2053  
292/113  
D579,202 S \* 10/2008 Grenier ..... D3/294  
D703,436 S \* 4/2014 Sabbag ..... D3/281  
D711,105 S \* 8/2014 Brunner ..... D3/281  
D727,620 S \* 4/2015 Tonelli ..... D3/276  
D742,640 S \* 11/2015 Sabbag ..... D3/281  
D758,729 S \* 6/2016 Tonelli ..... D3/279  
D759,971 S \* 6/2016 Riddiford ..... D3/279  
2005/0001435 A1 \* 1/2005 Parker ..... A45C 13/1084  
292/116  
2006/0278485 A1 \* 12/2006 Tonelli ..... A45F 3/14  
190/116

\* cited by examiner



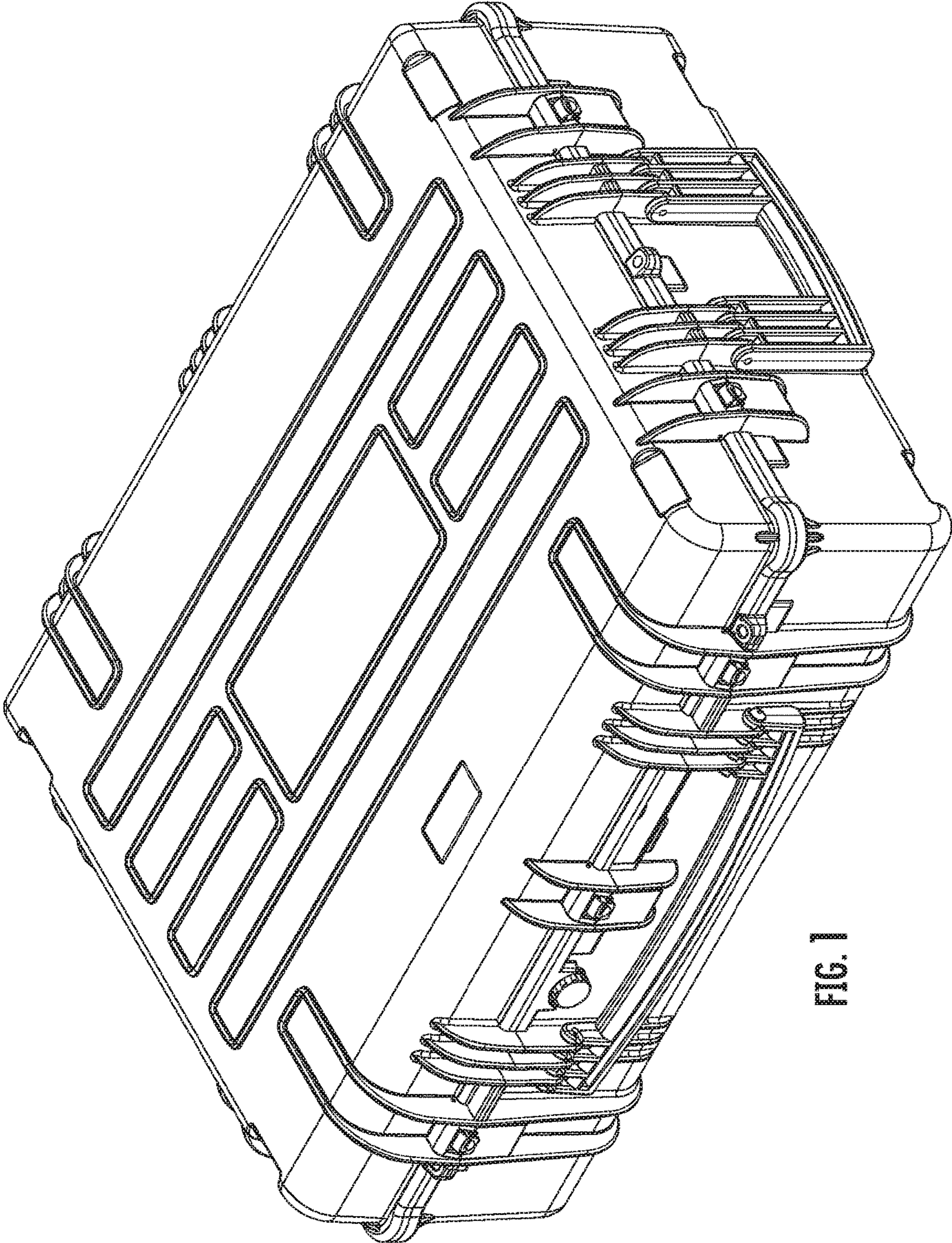


FIG. 1

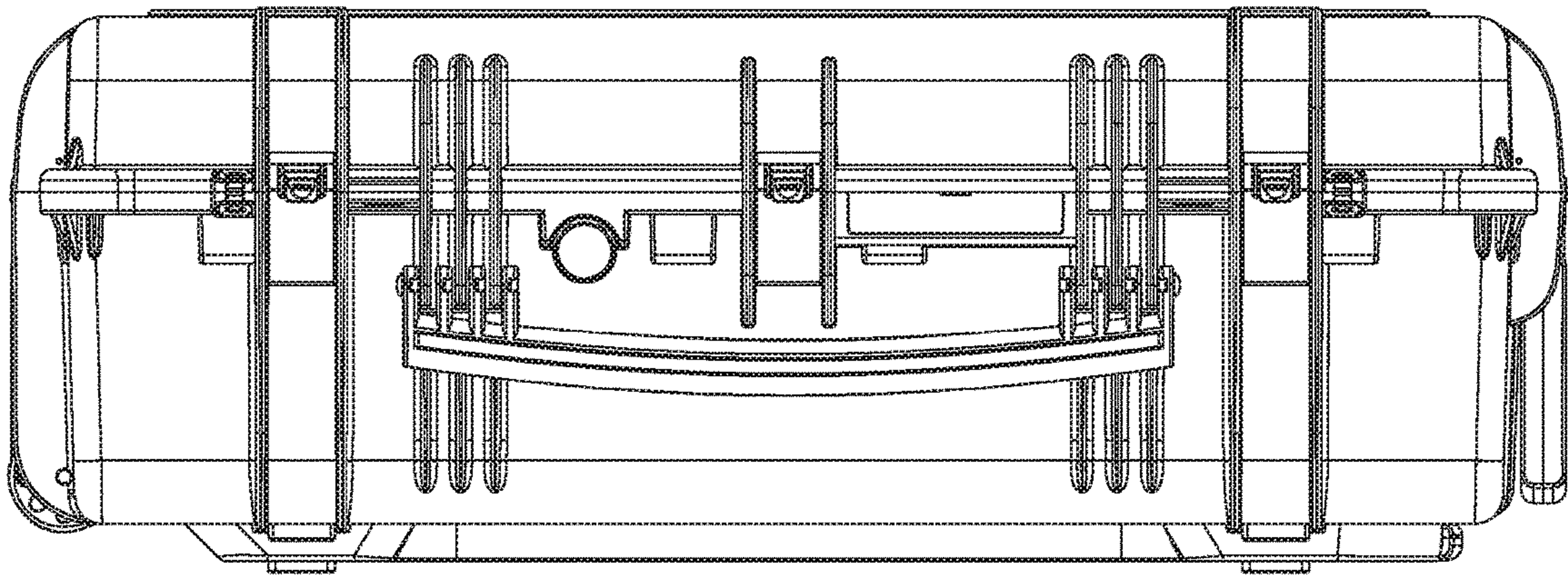


FIG. 2



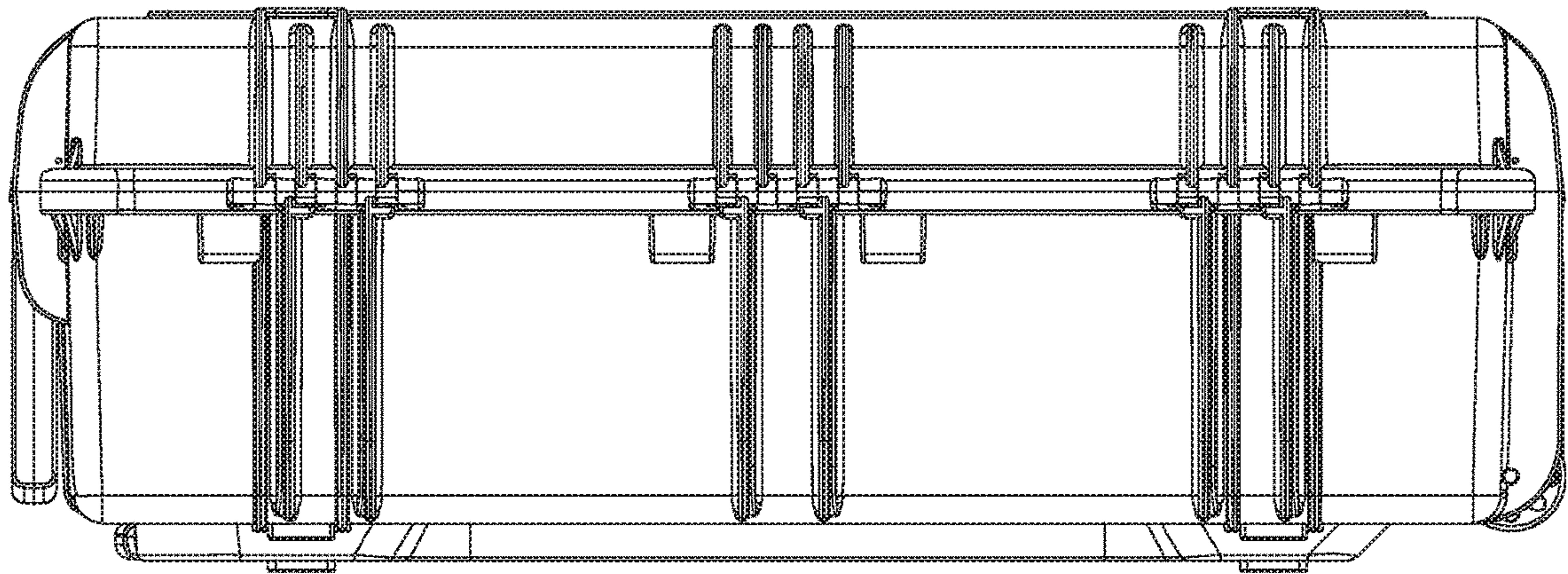


FIG. 3

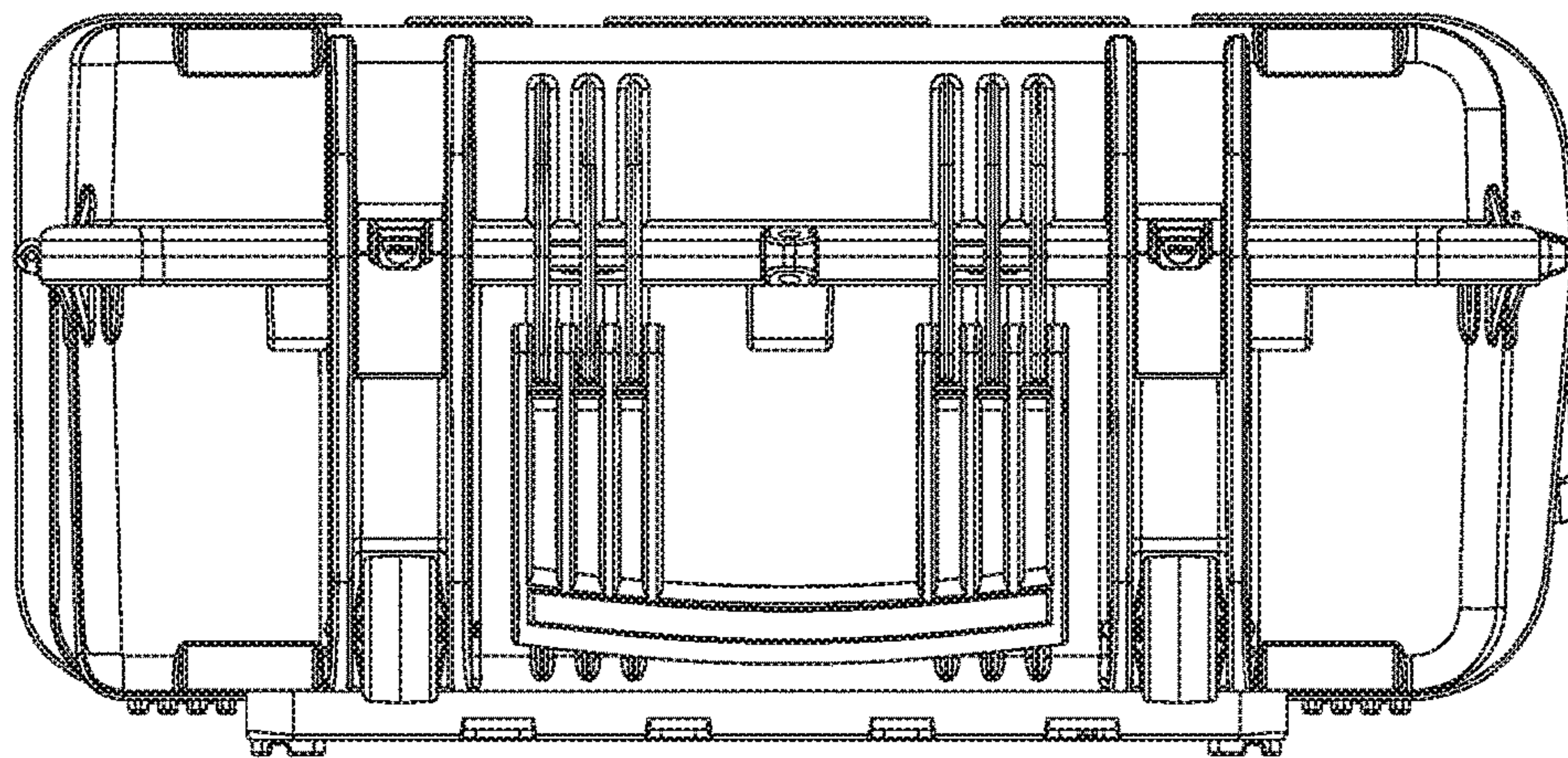


FIG. 4

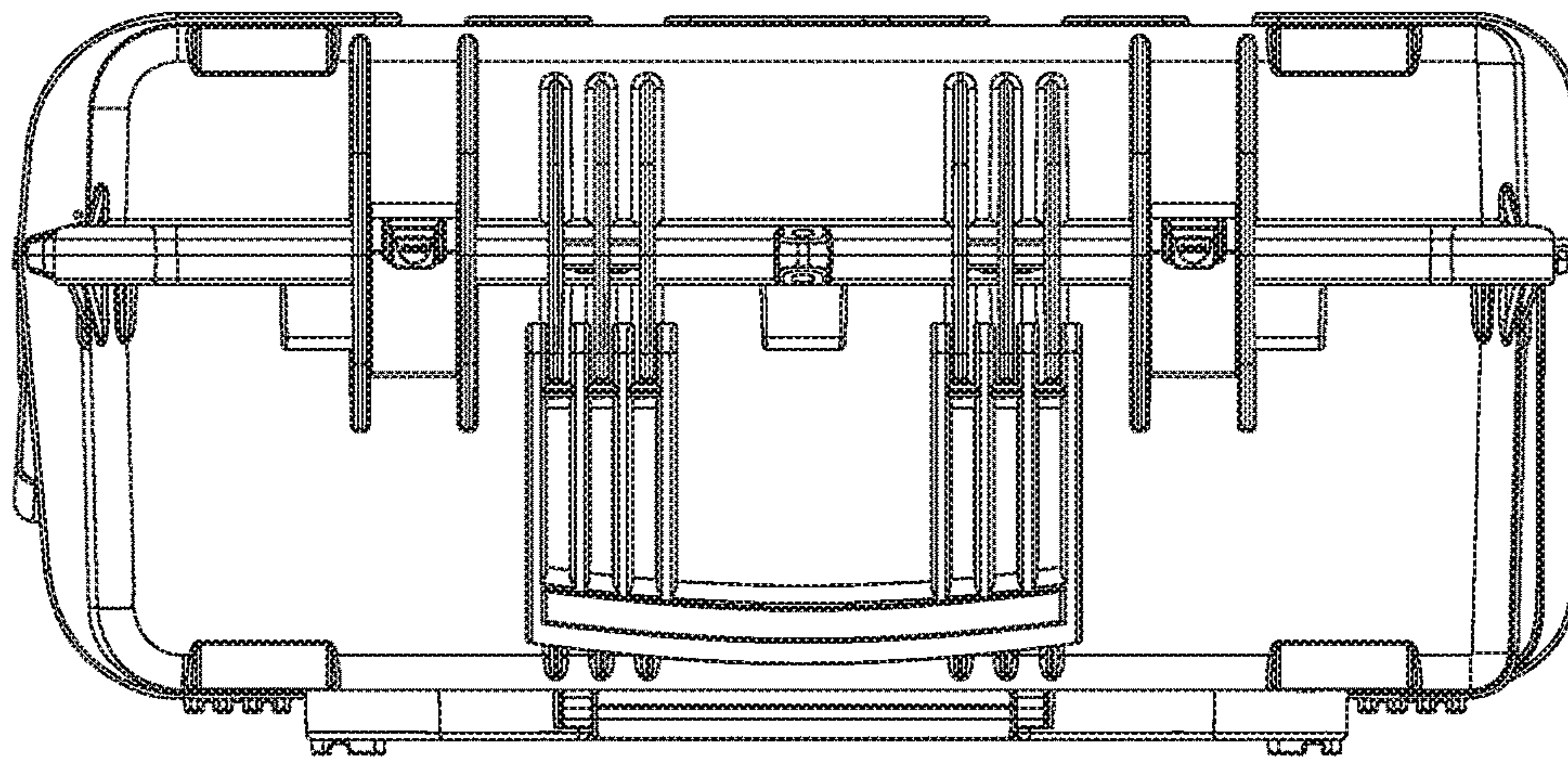


FIG. 5



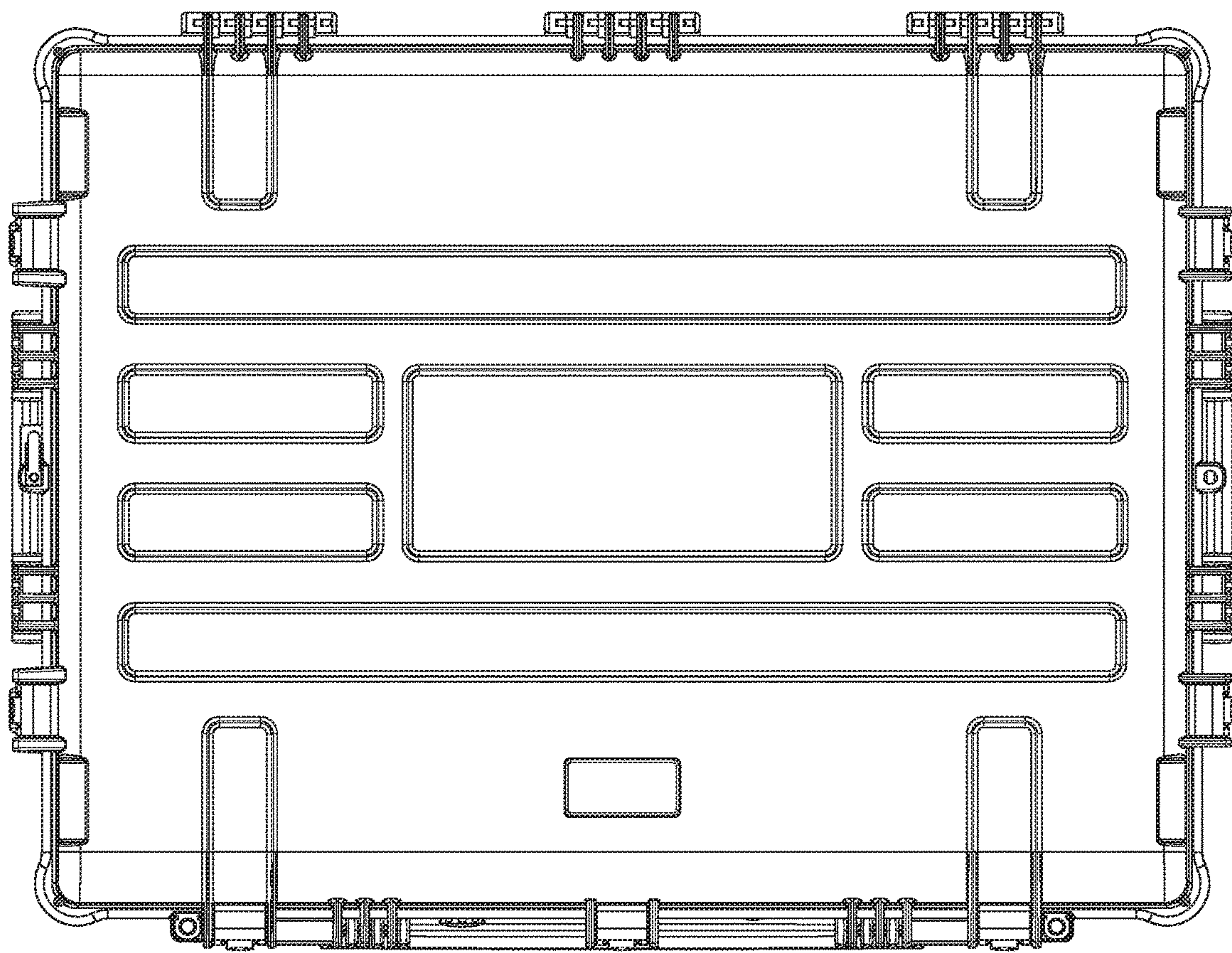


FIG. 6



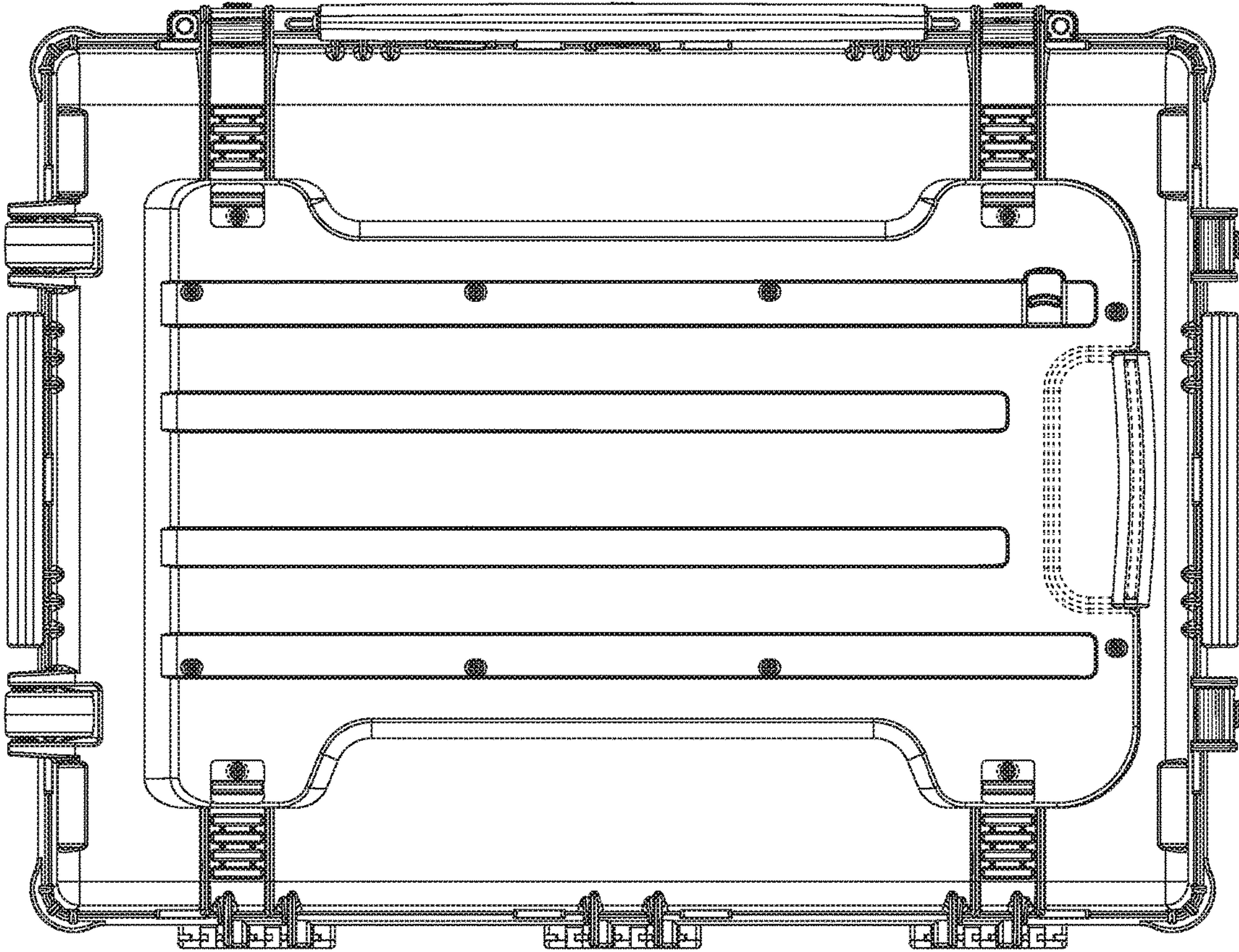


FIG. 7

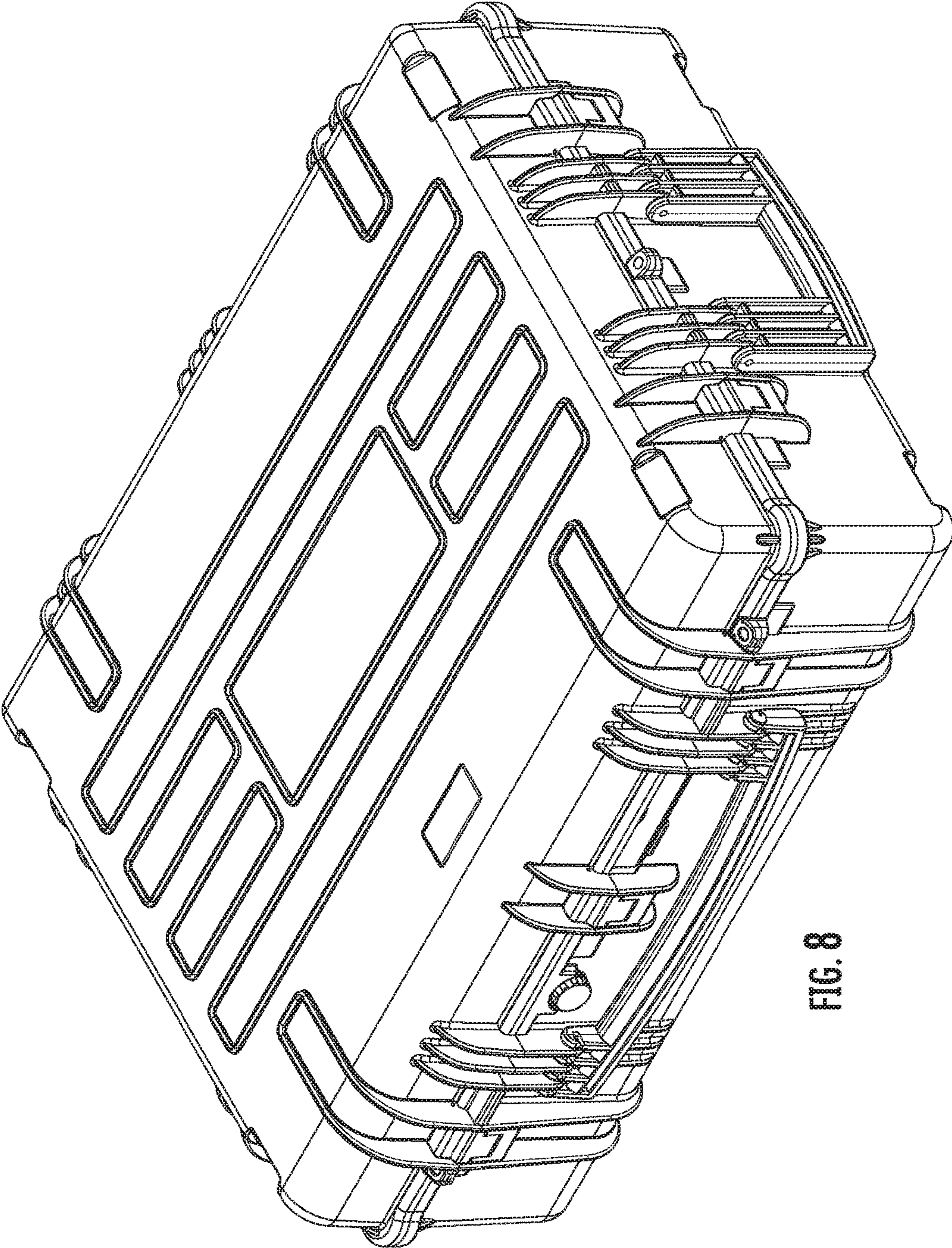


FIG. 8



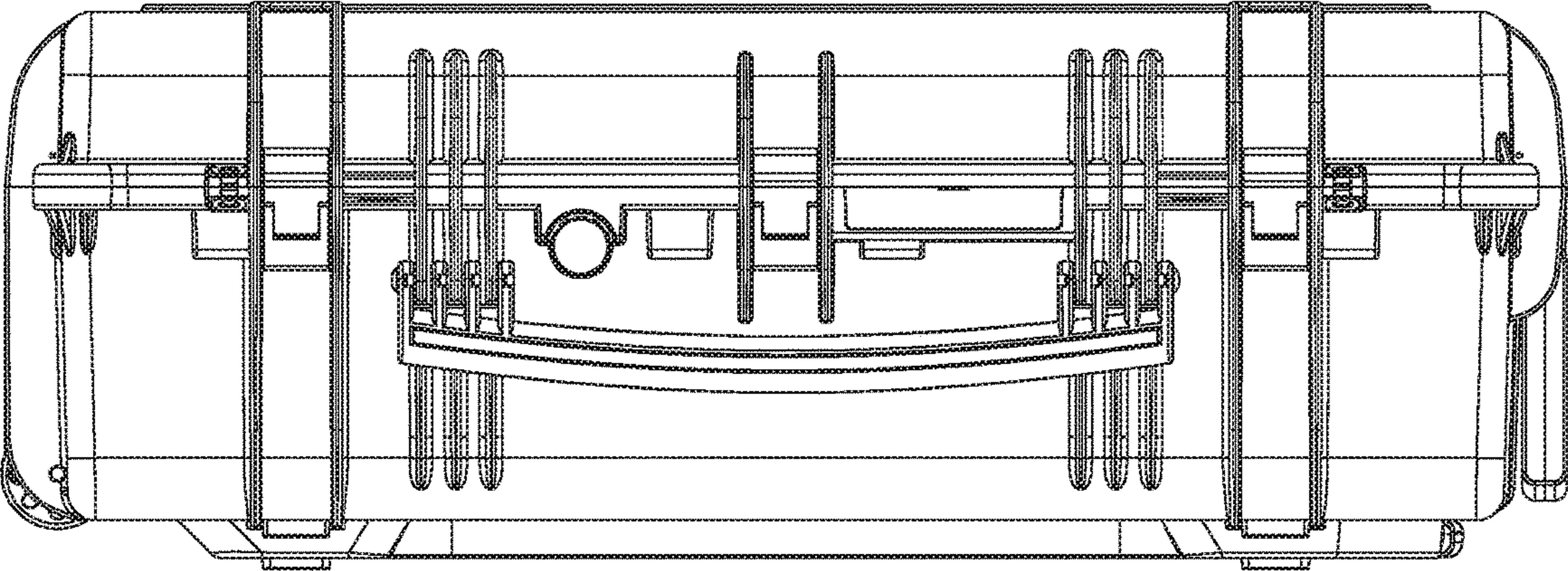


FIG. 9



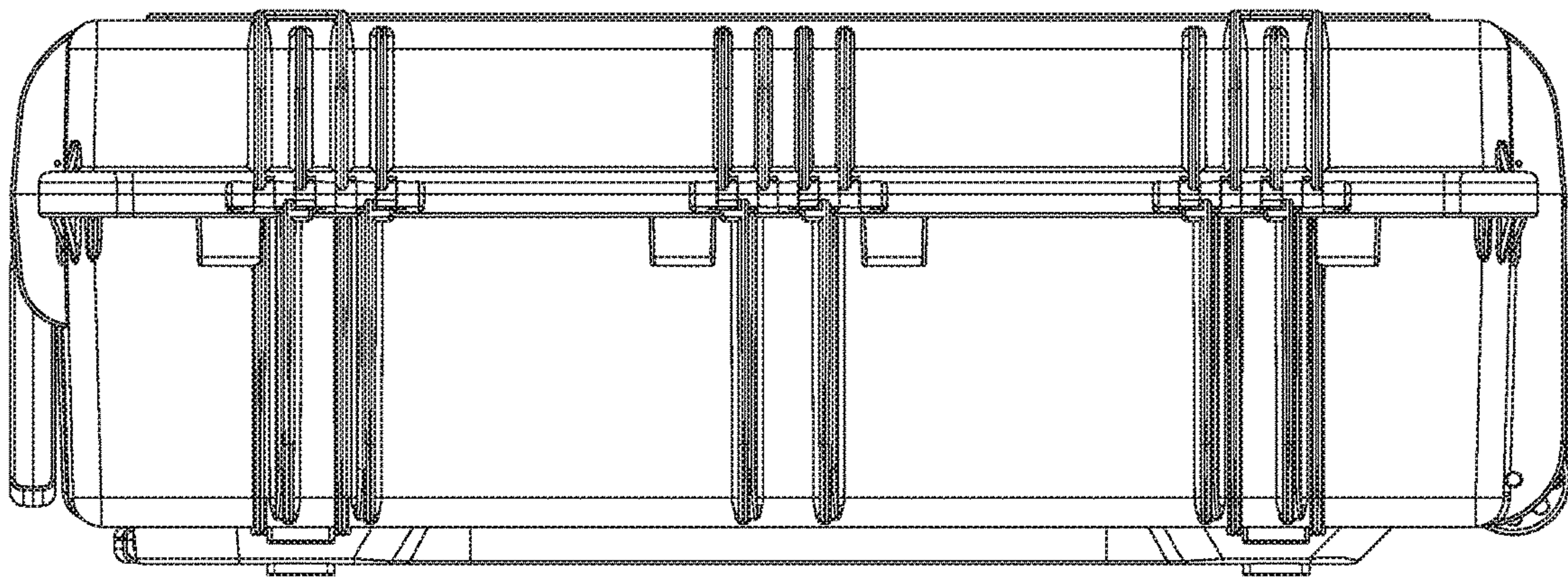


FIG. 10

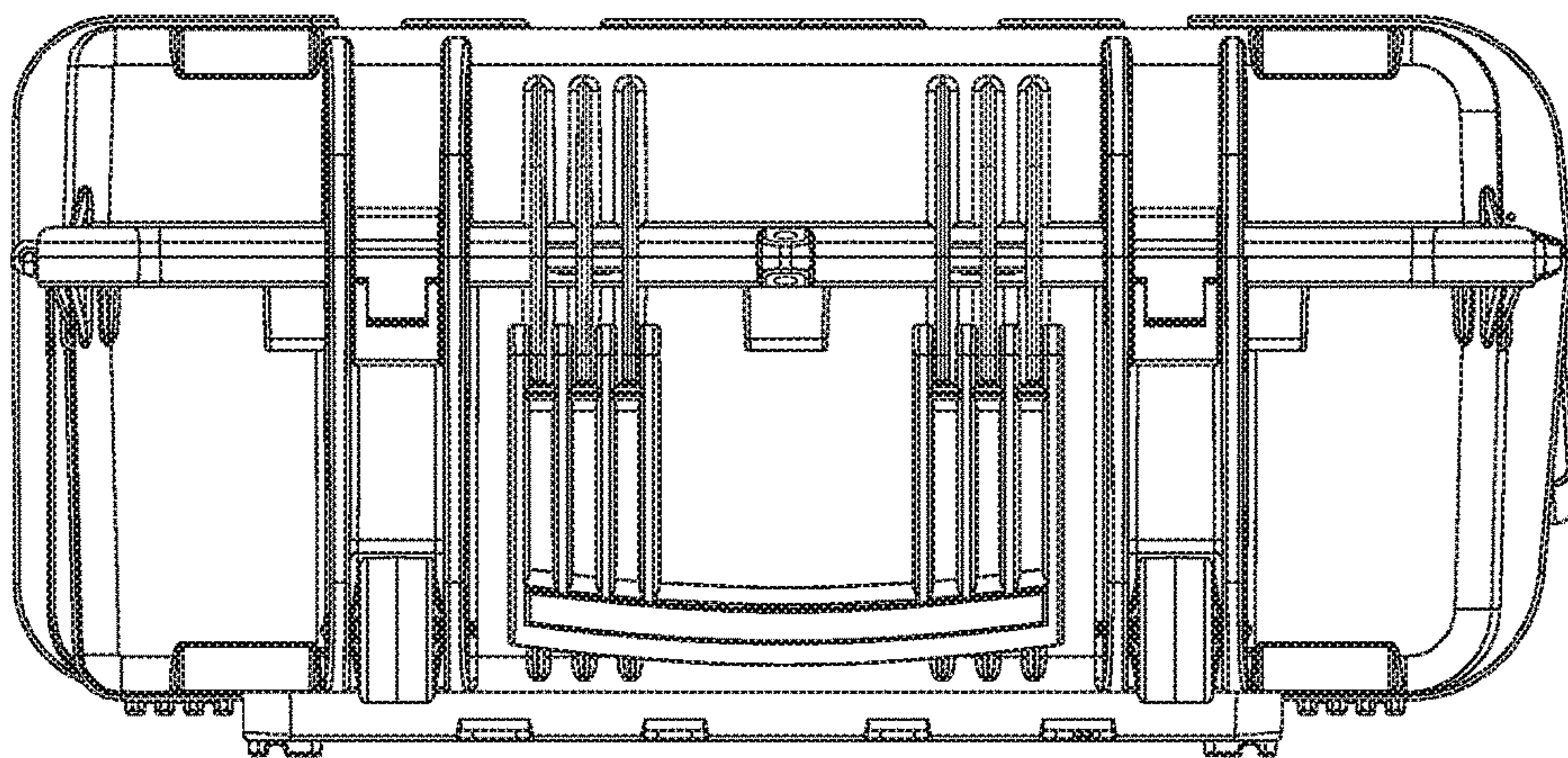


FIG. 11

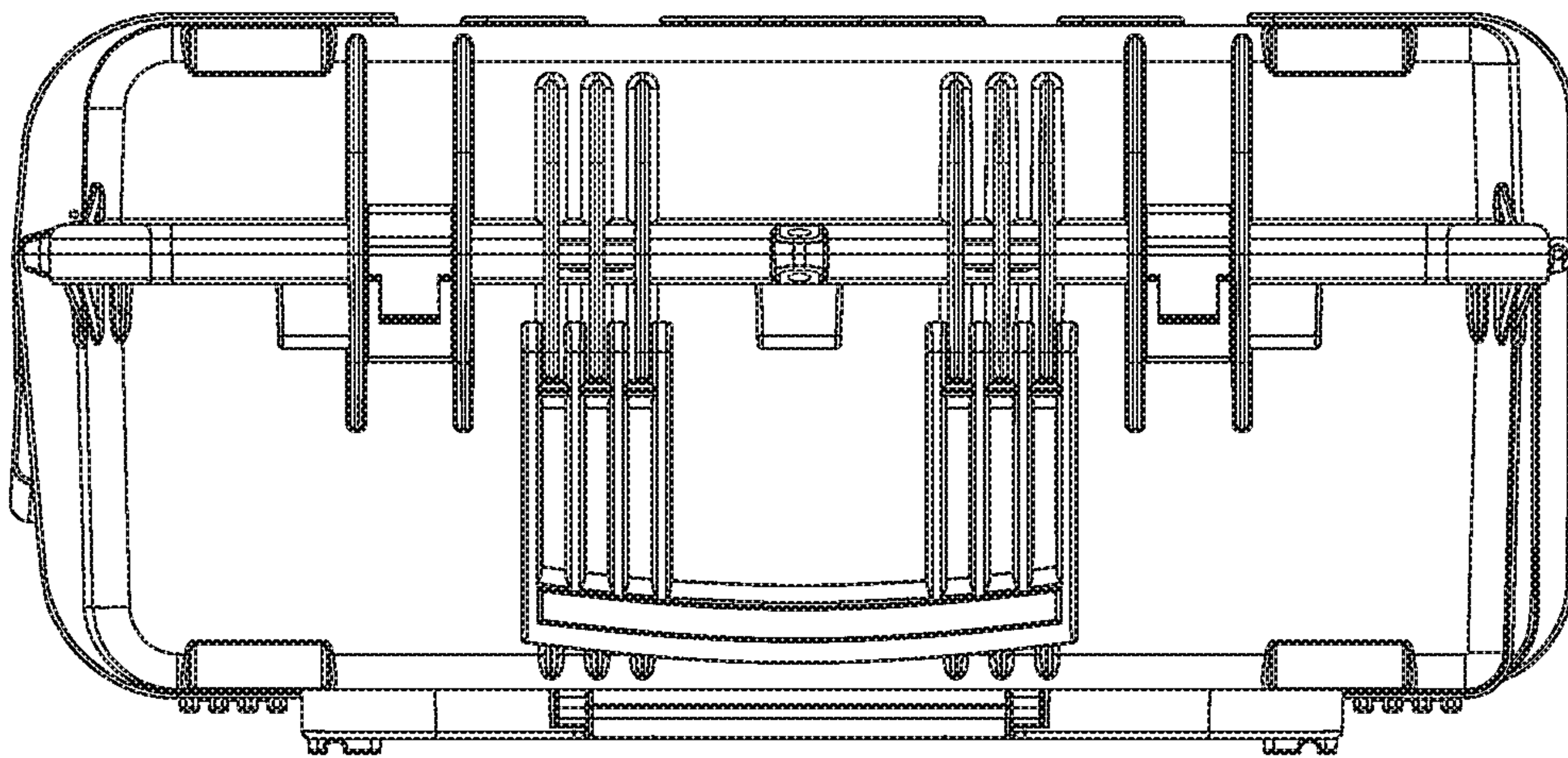


FIG. 12



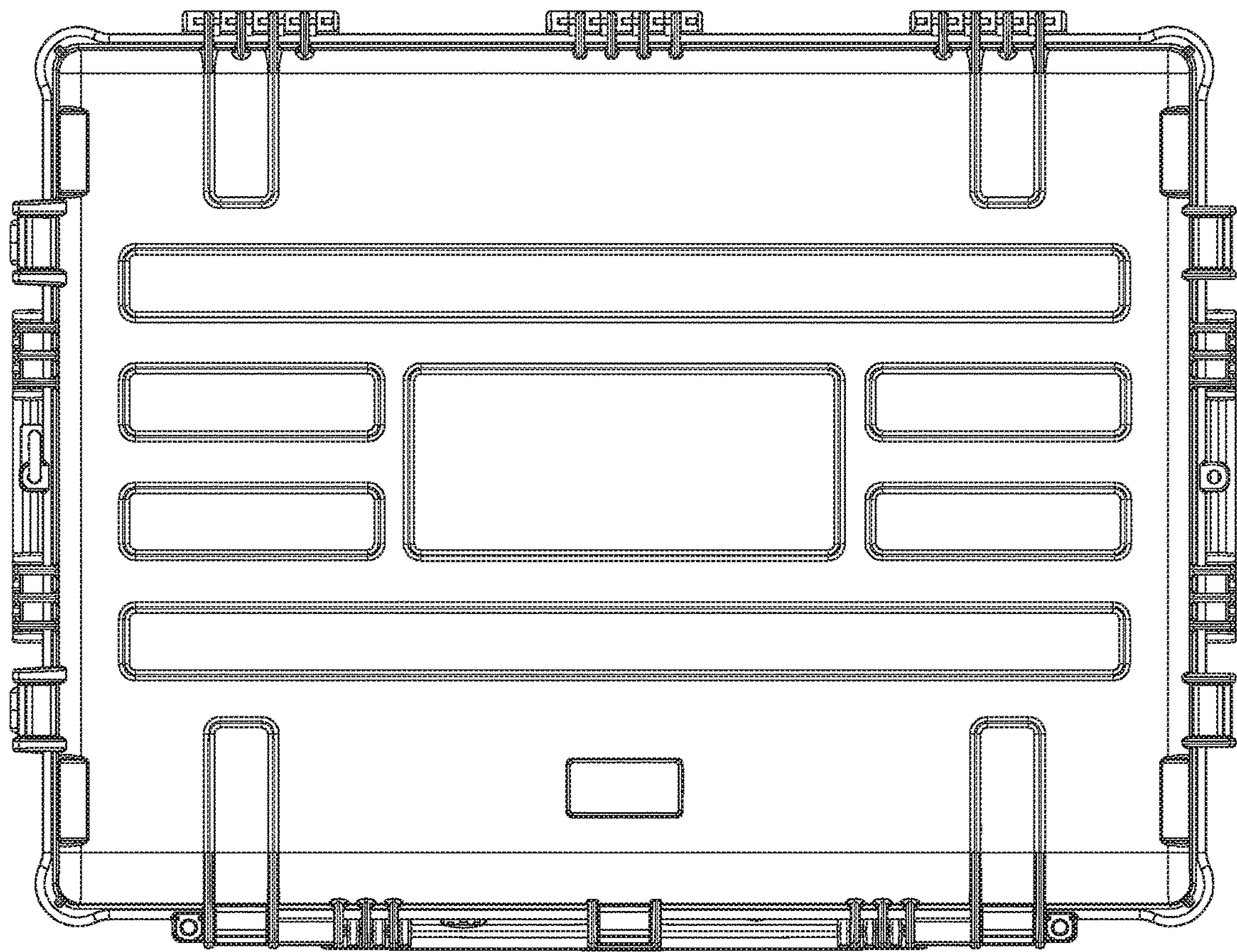


FIG. 13

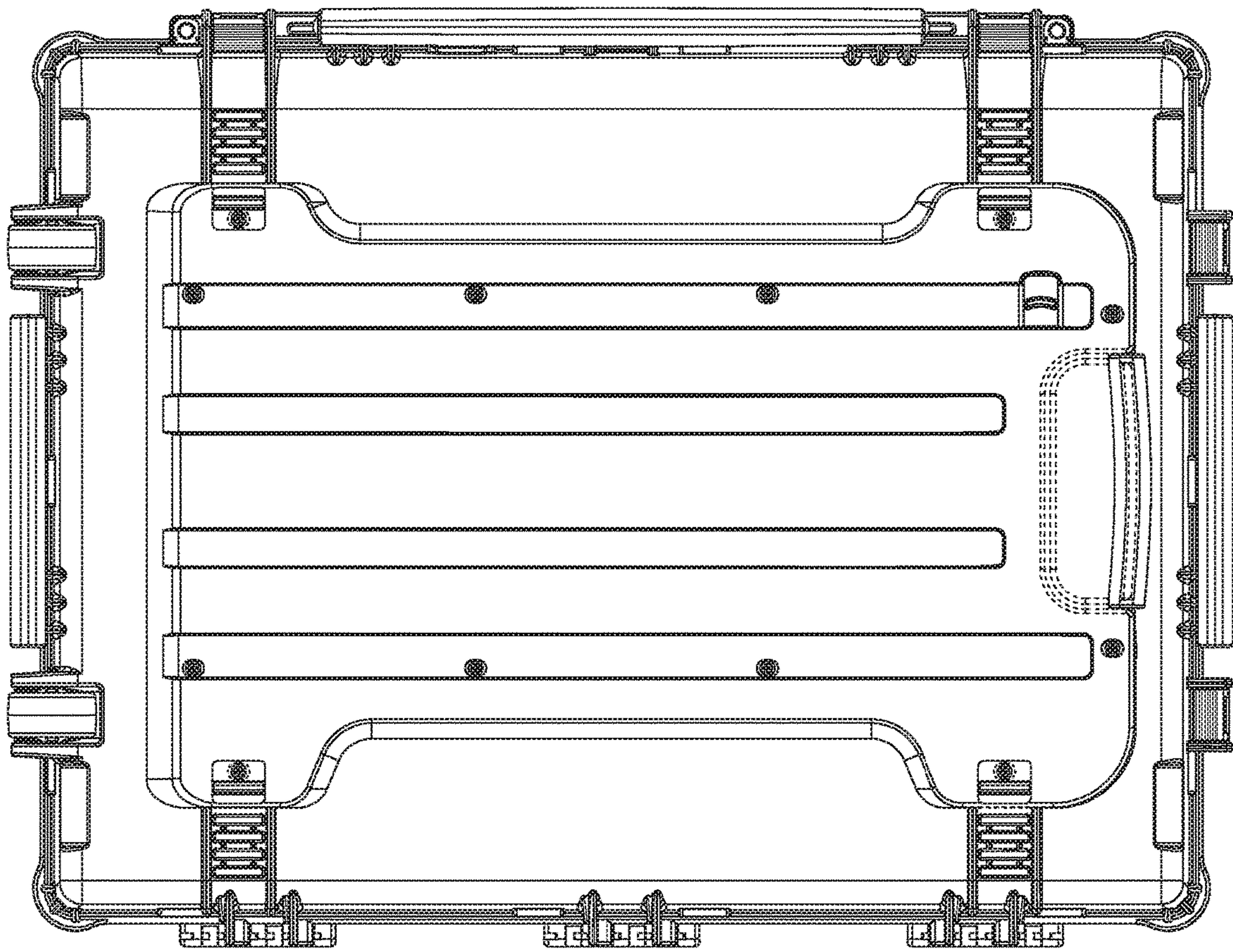


FIG. 14



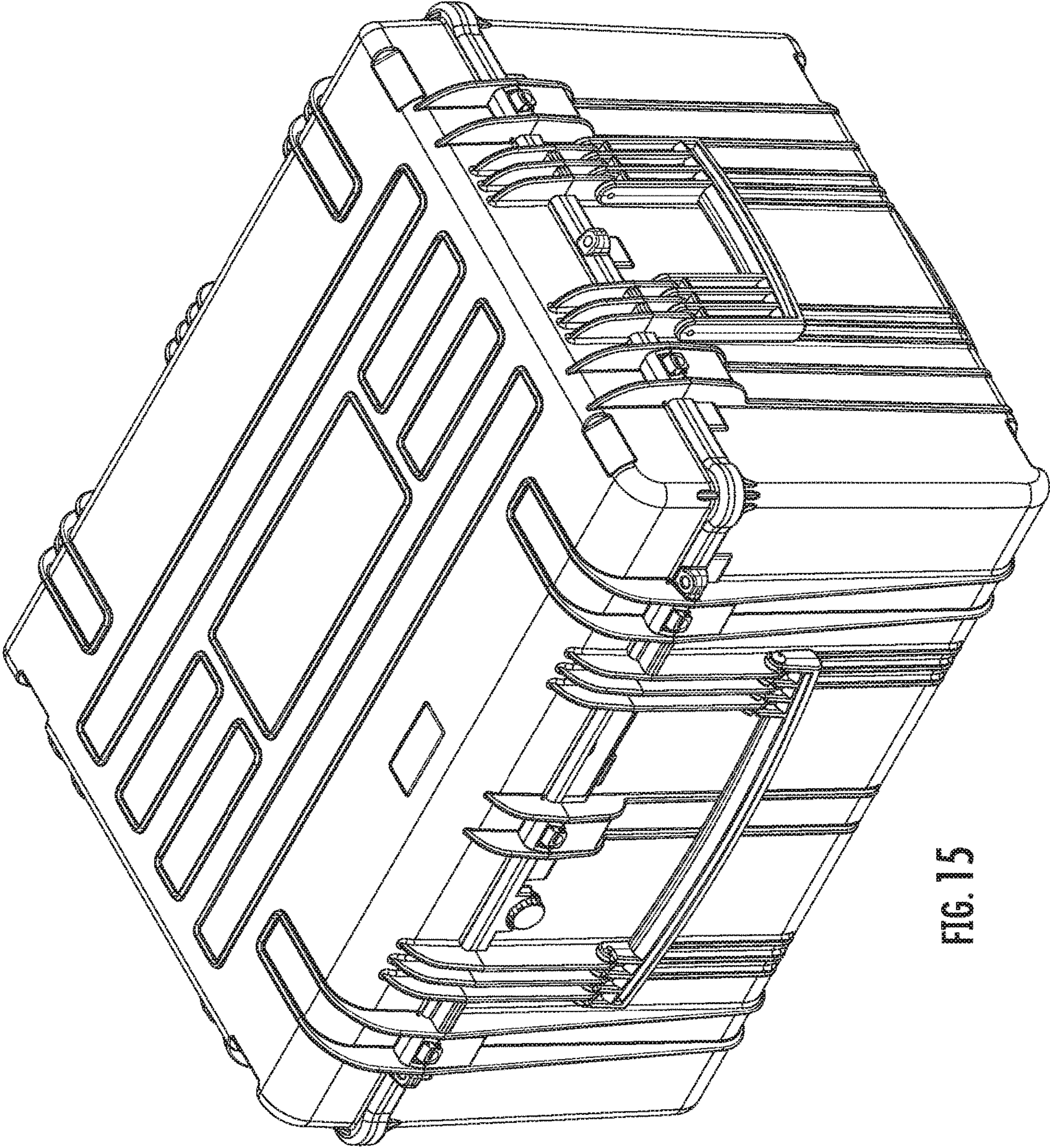


FIG. 15



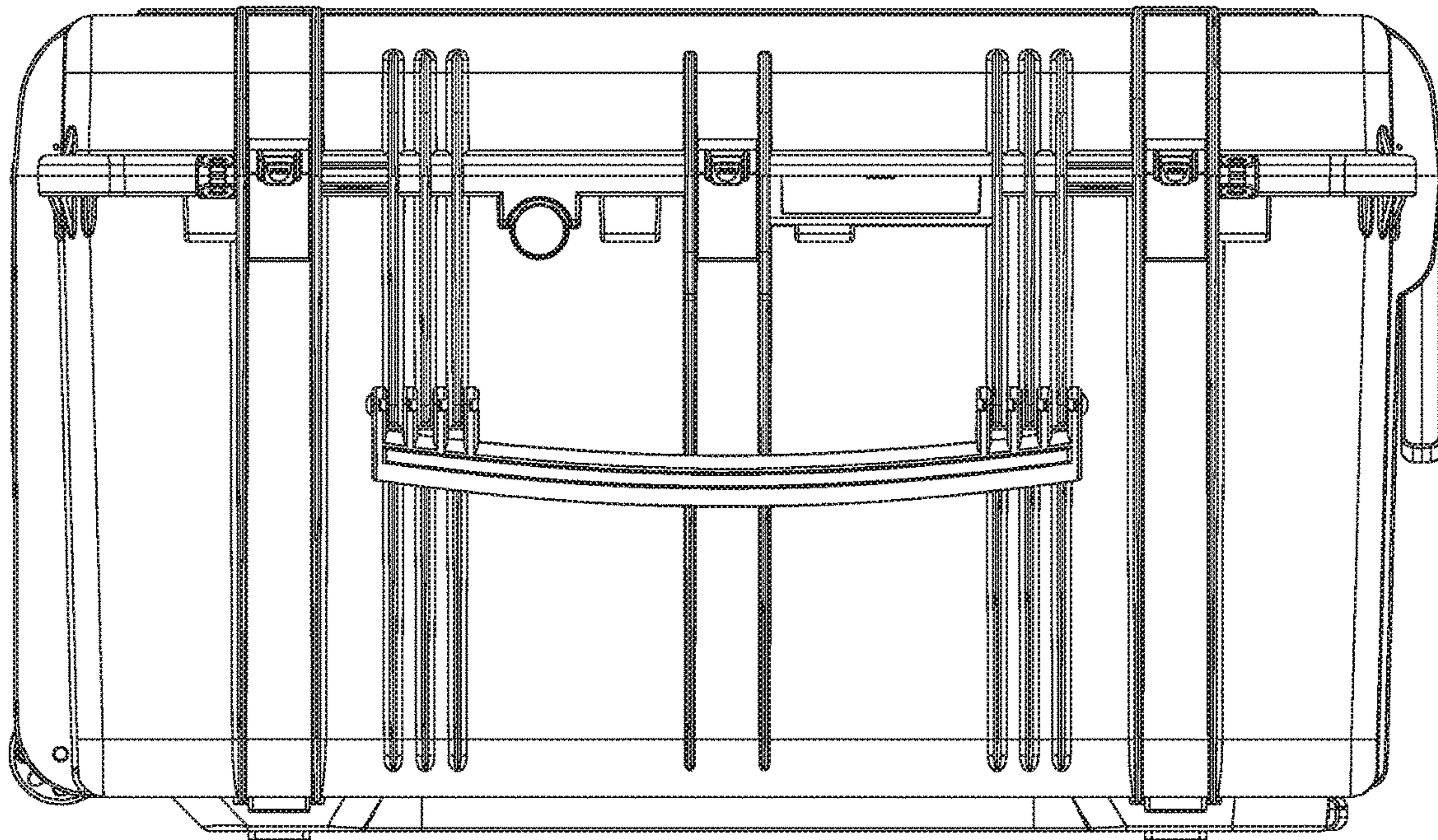


FIG. 16

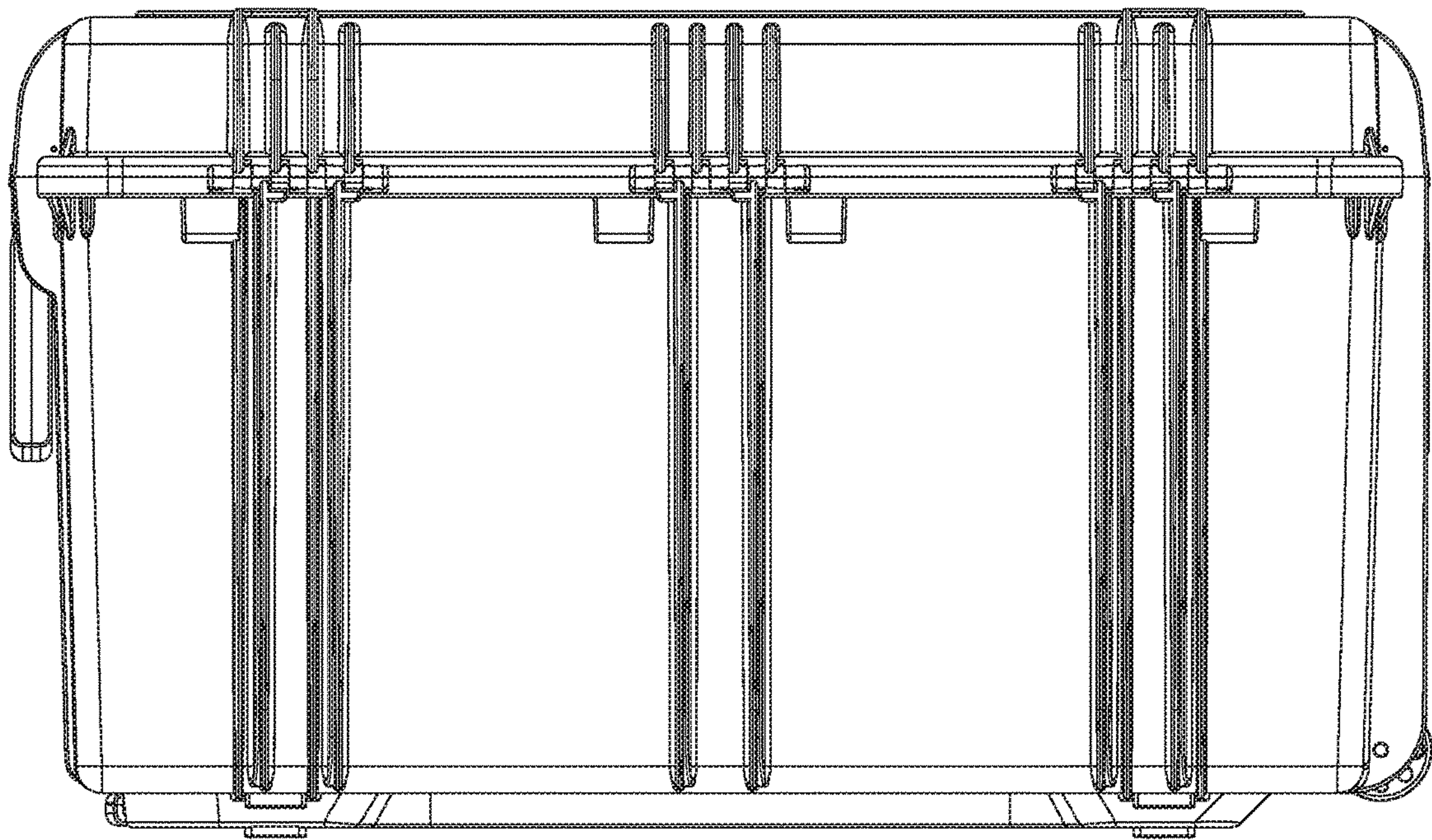


FIG. 17



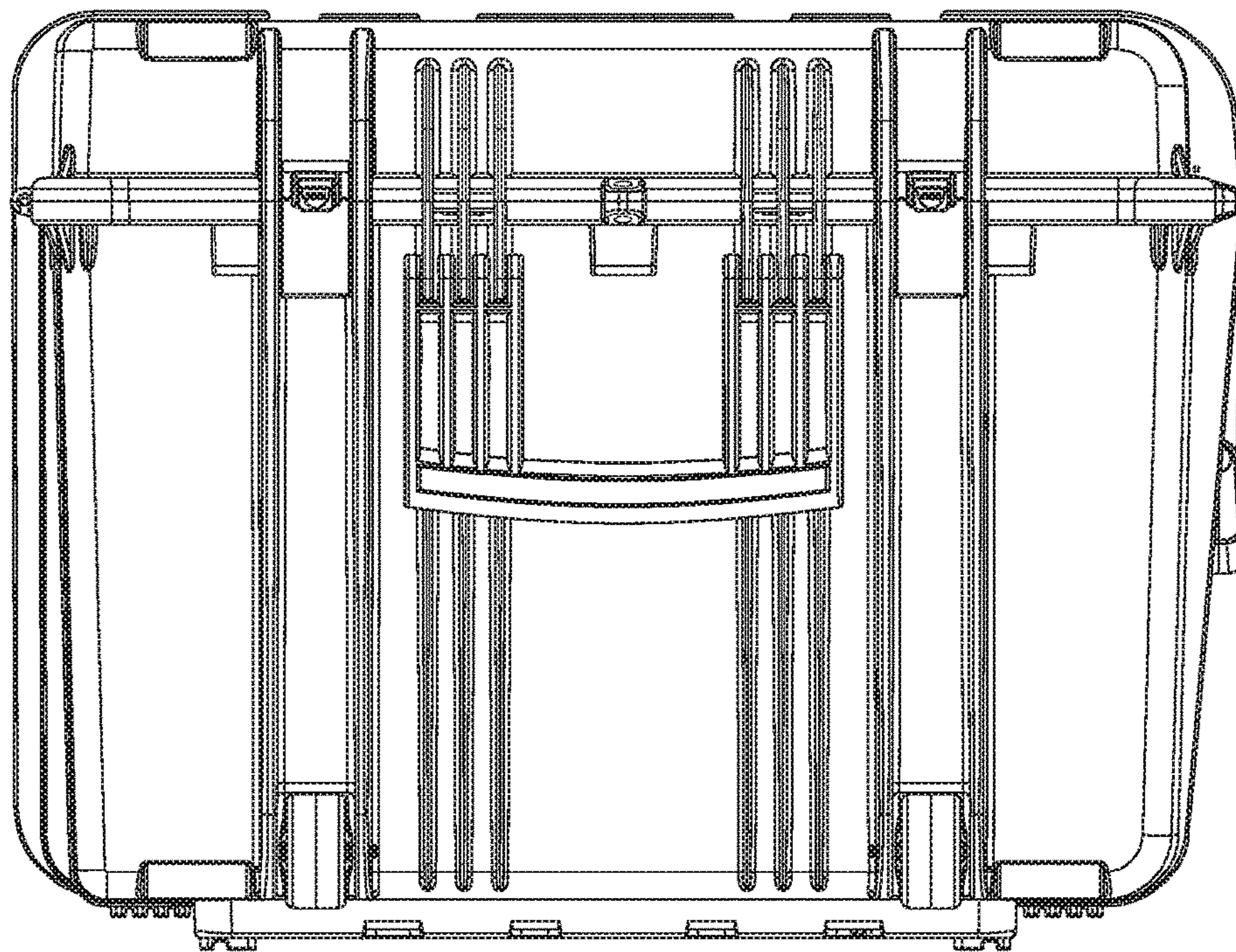


FIG. 18



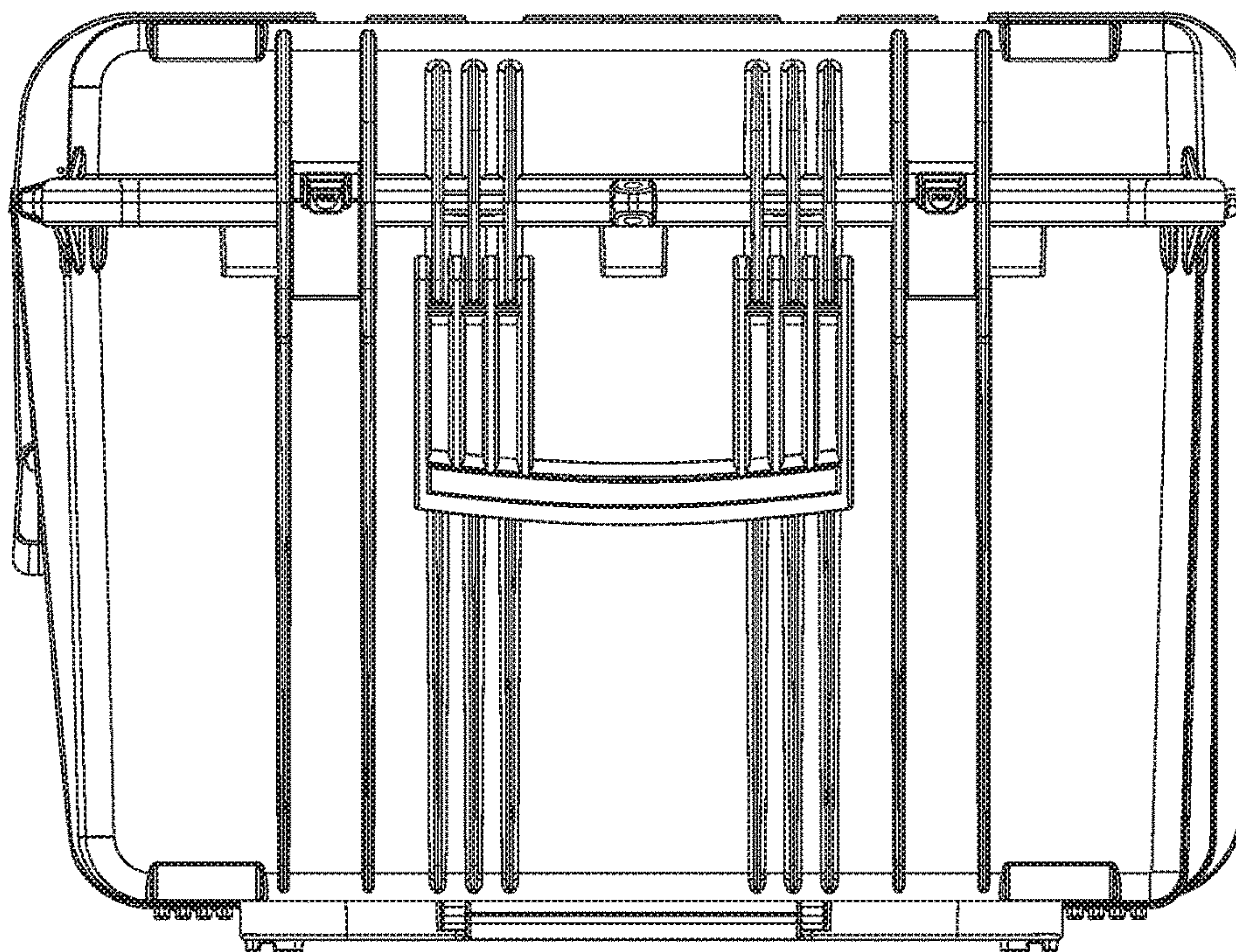


FIG. 19

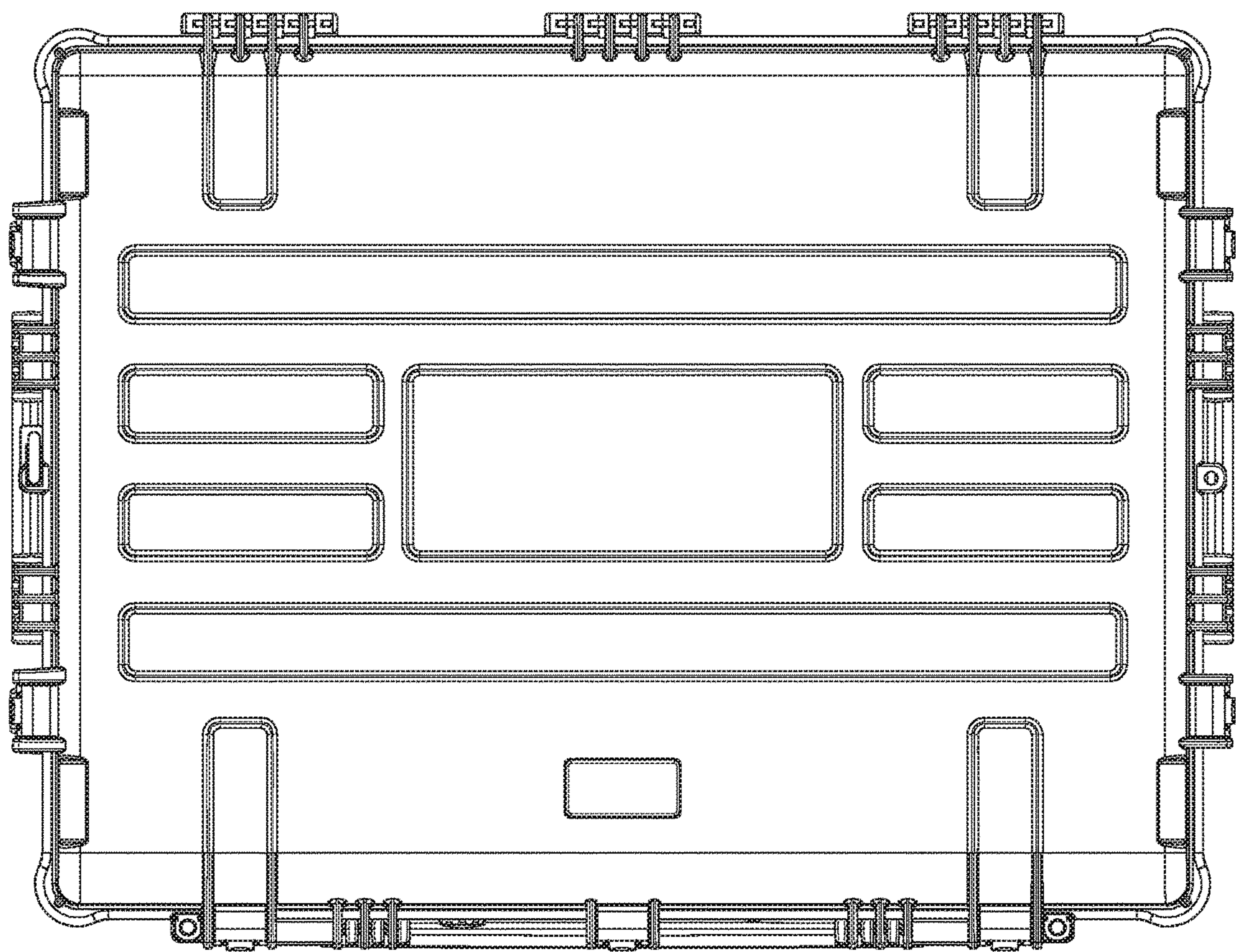


FIG. 20



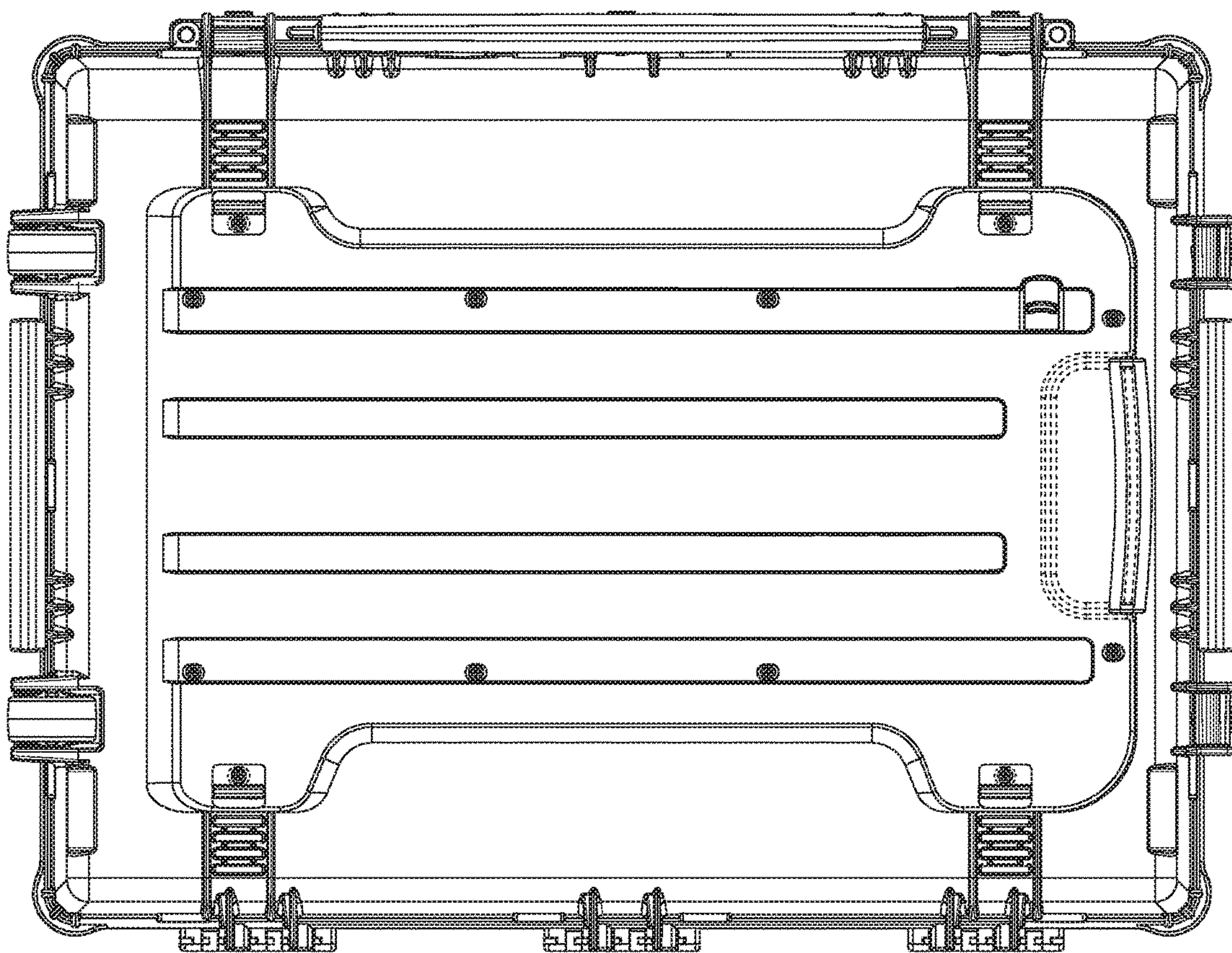


FIG. 21



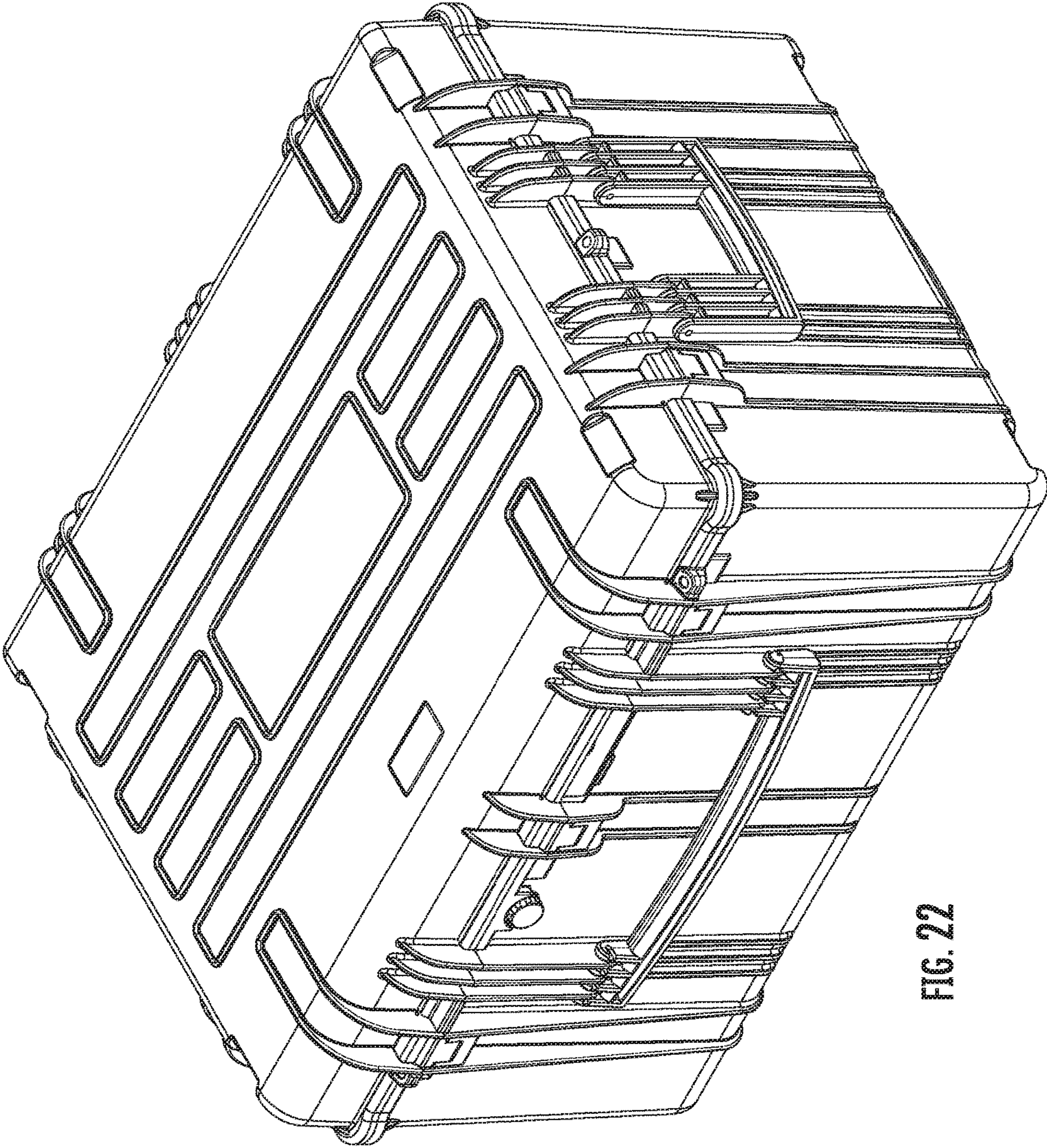


FIG. 22

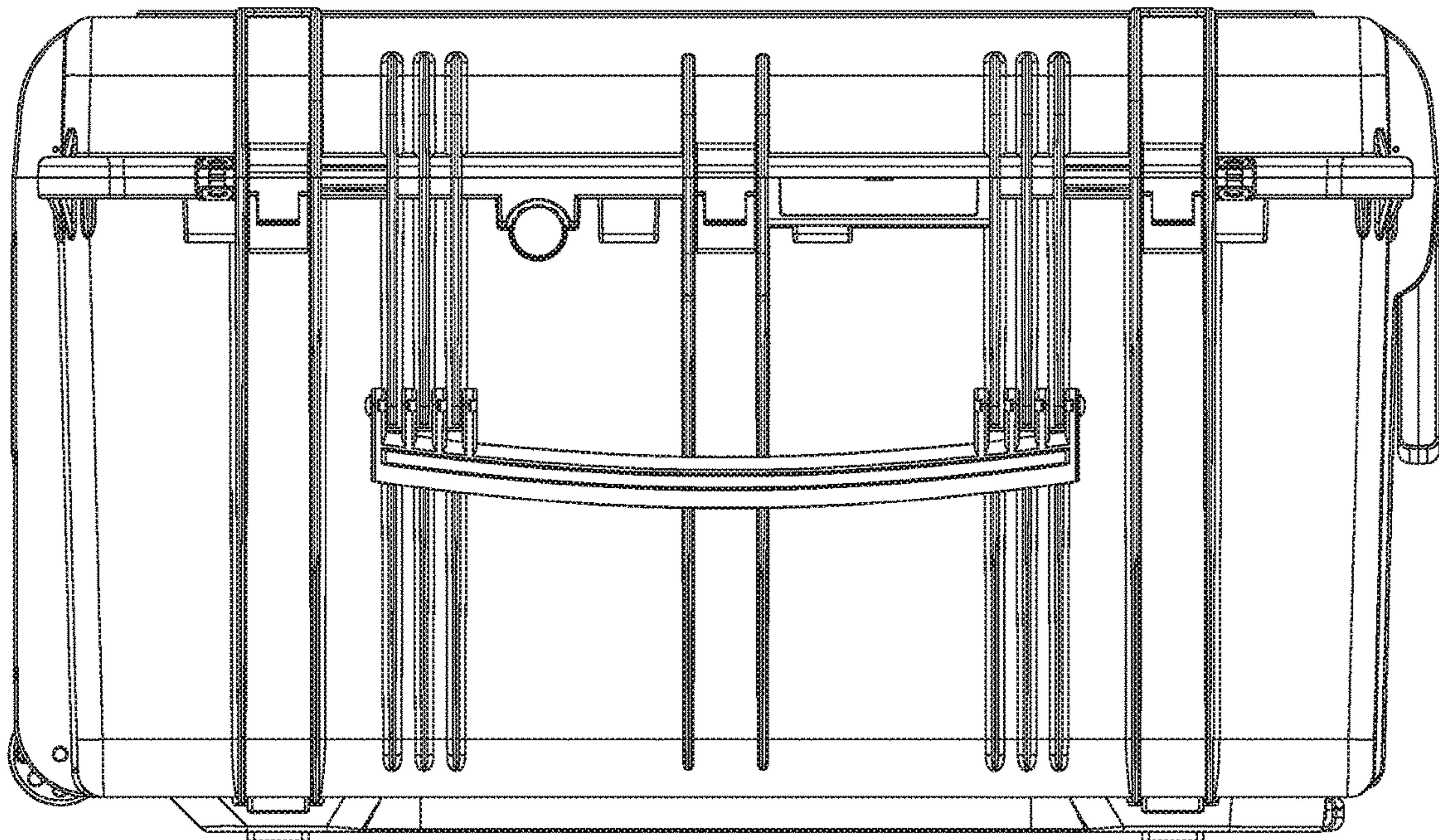


FIG. 23



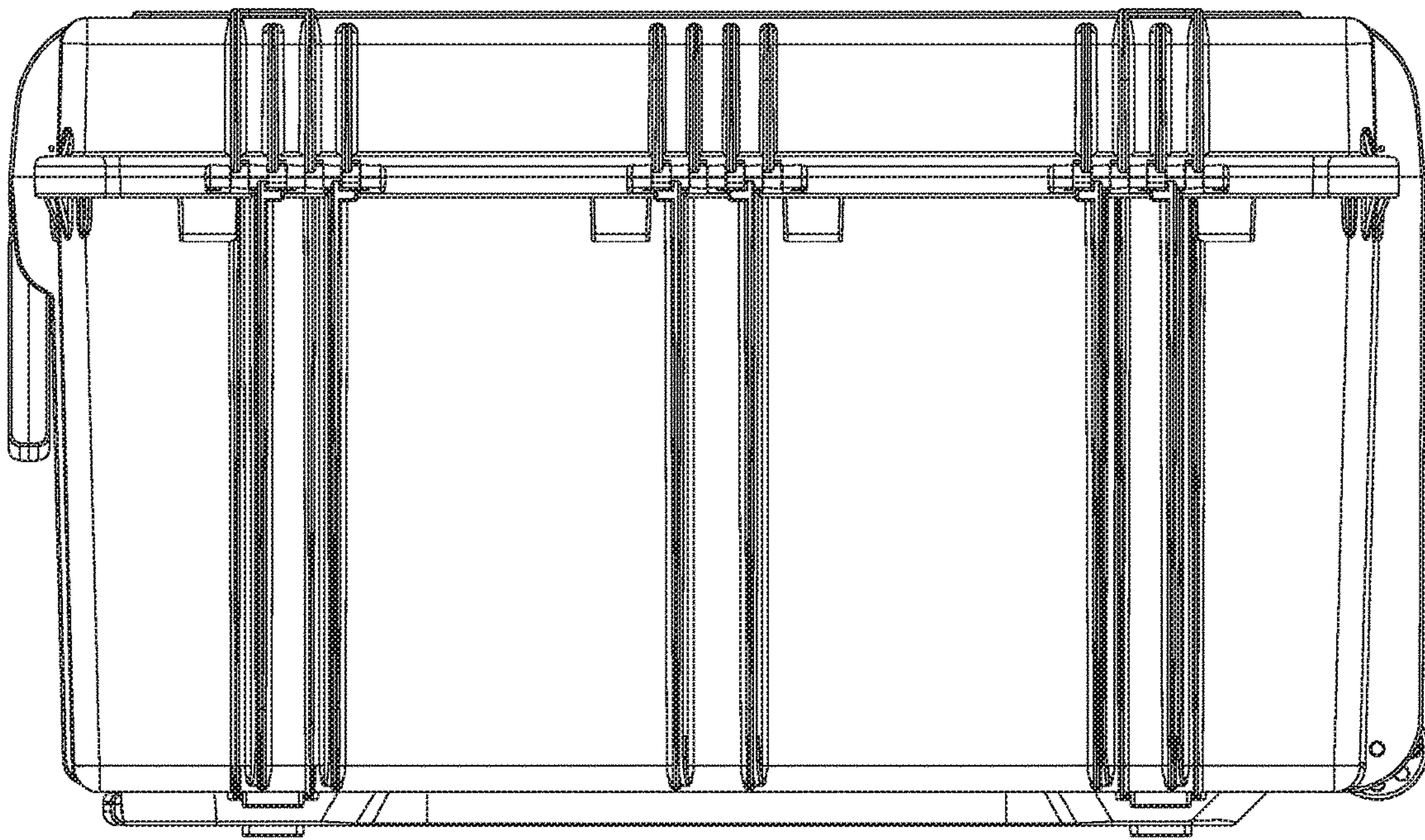


FIG. 24

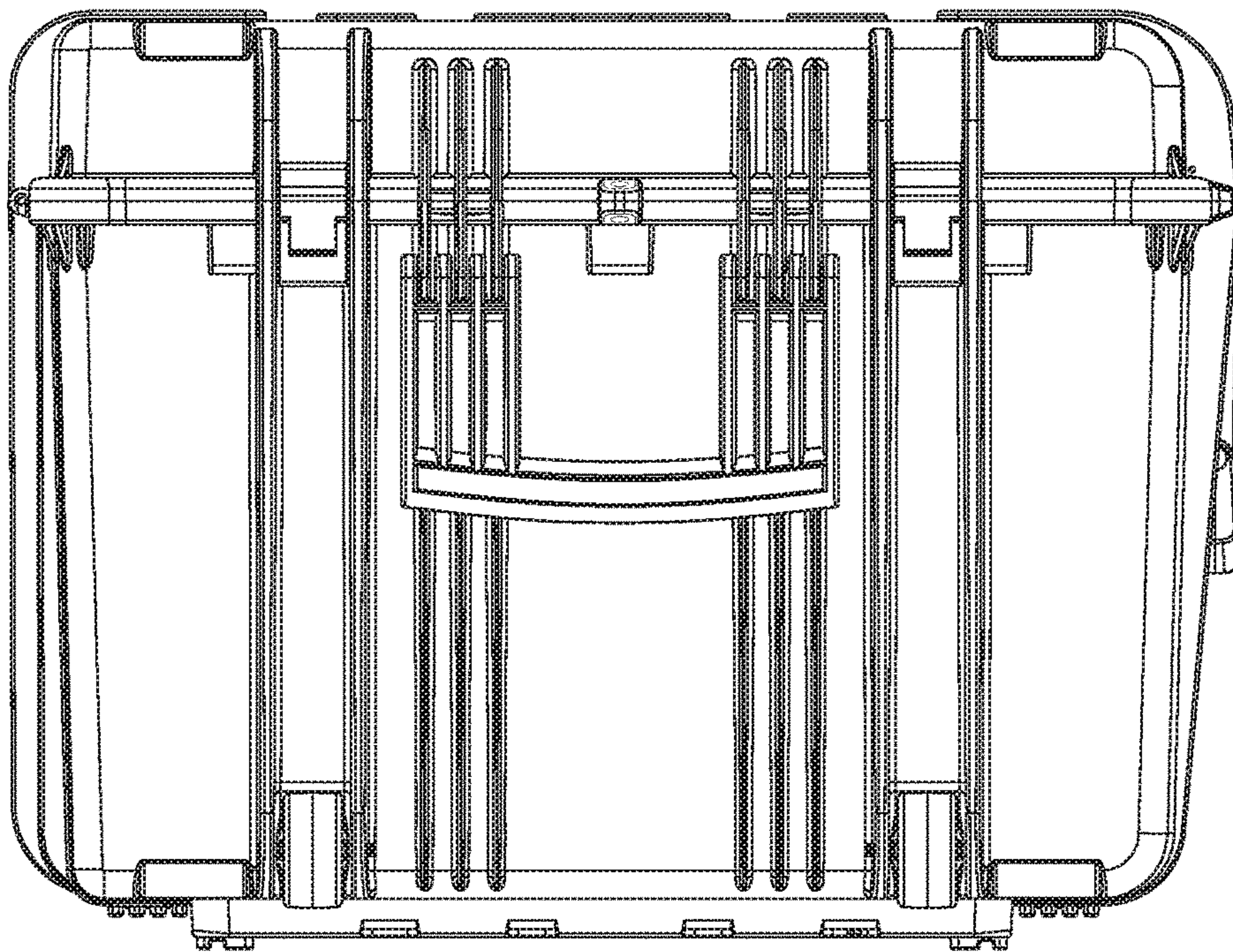


FIG. 25



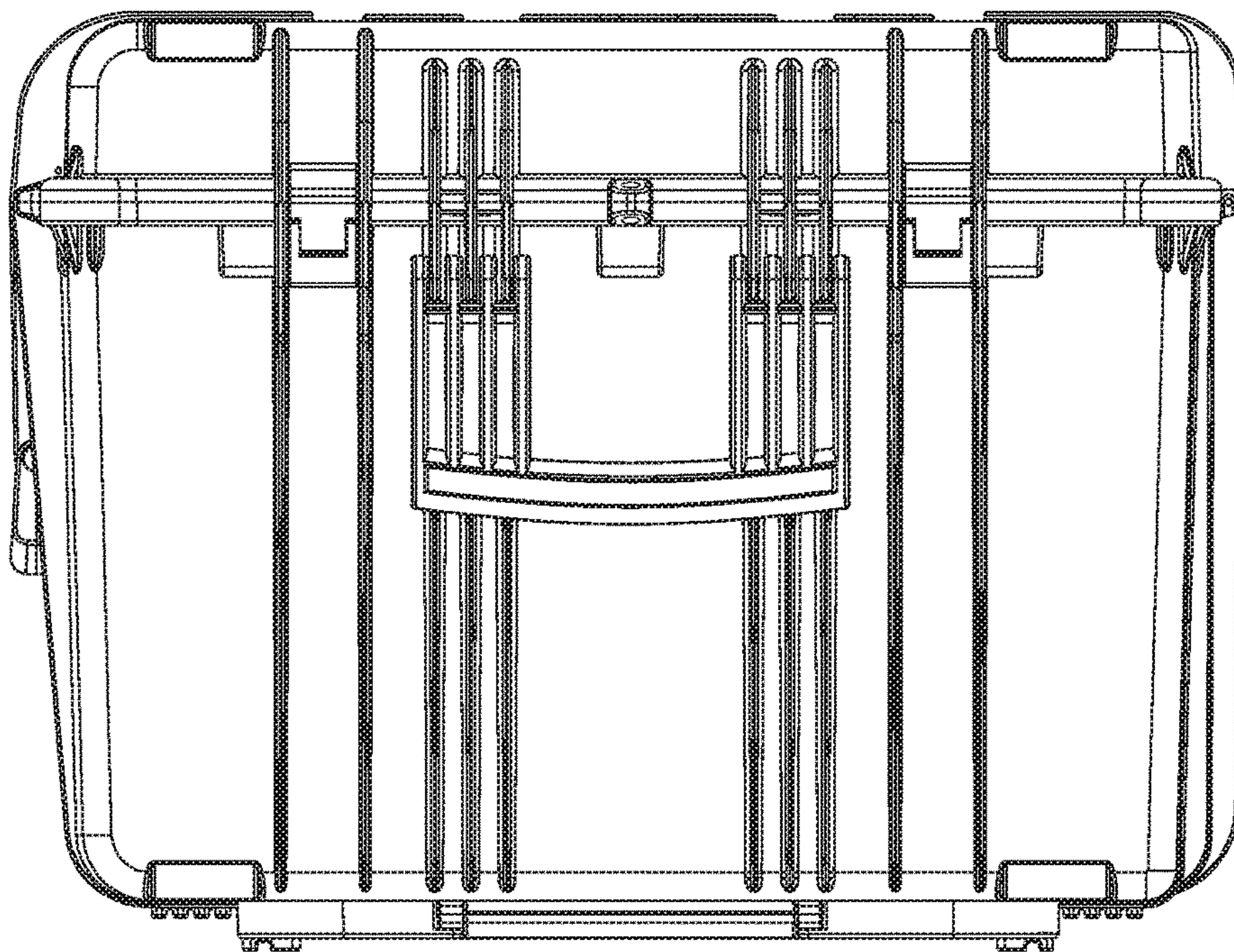


FIG. 26

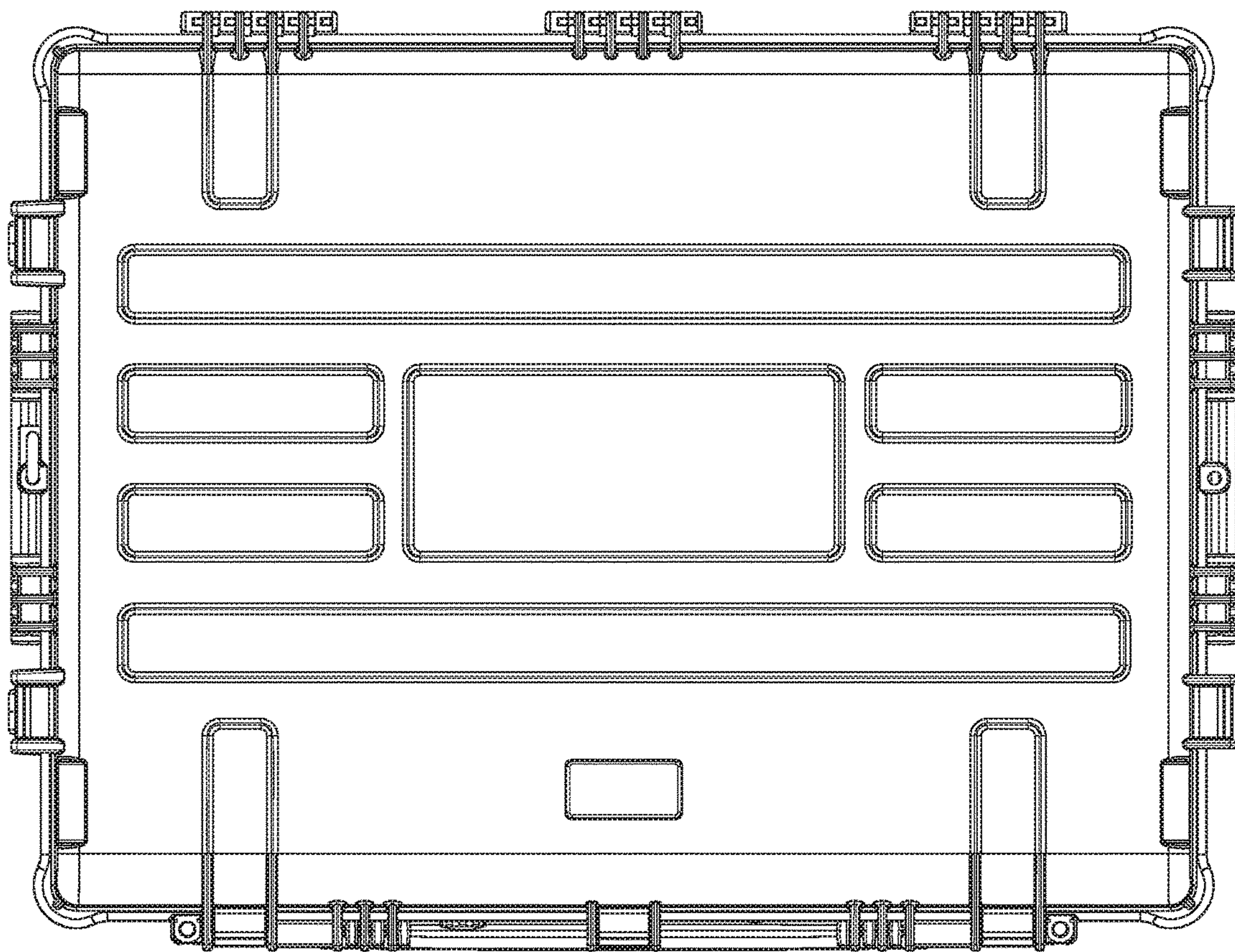


FIG. 27



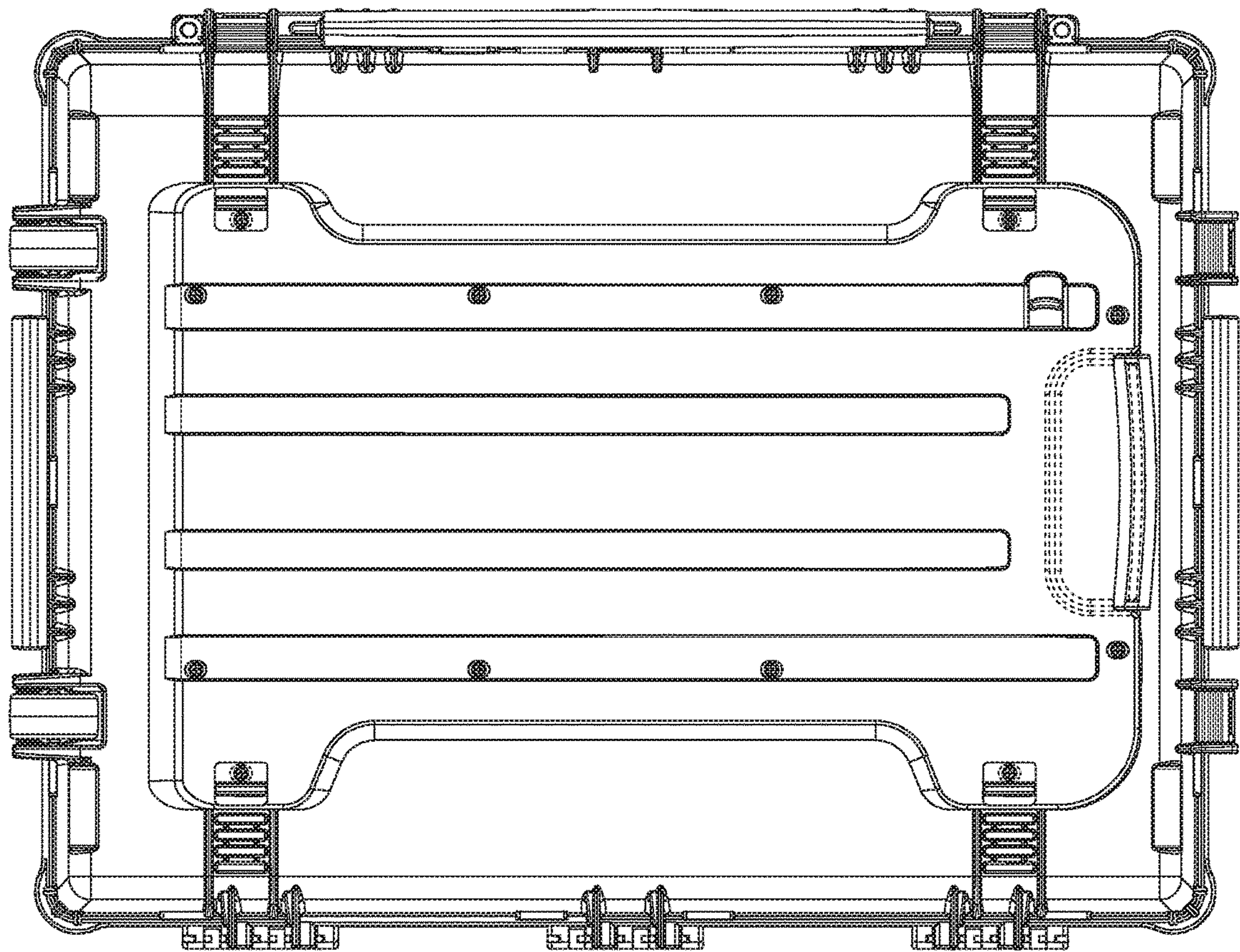


FIG. 28