



US00D833738S

(12) **United States Design Patent** (10) **Patent No.:** **US D833,738 S**
Whittington (45) **Date of Patent:** **** Nov. 20, 2018**

(54) **CASINO CLUTCH**

6,126,012 A * 10/2000 Roegner A45C 3/00
 150/112
 D582,664 S * 12/2008 Degliobizzi D3/232
 D585,641 S * 2/2009 Maxwell D3/232

(71) Applicant: **Shelia Ann Whittington**, Aiken, SC (US)

* cited by examiner

(72) Inventor: **Shelia Ann Whittington**, Aiken, SC (US)

Primary Examiner — Catherine R Oliver-Garcia
 (74) *Attorney, Agent, or Firm* — Melissa B Neely

(**) Term: **15 Years**

(21) Appl. No.: **29/640,882**

(57) **CLAIM**

(22) Filed: **Mar. 18, 2018**

The ornamental design for a casino clutch, as shown and described.

(51) **LOC (11) Cl.** **03-01**

(52) **U.S. Cl.**

USPC **D3/226**

(58) **Field of Classification Search**

DESCRIPTION

USPC D3/215, 221, 224, 226, 232–233;
 224/240–241, 219, 222, 267, 269, 242,
 224/245–246, 578–579, 645, 660, 674,
 224/677, 680; 150/100, 107, 112,
 150/131–132, 136, 101, 114, 152
 CPC .. A45C 1/04; A45C 3/00; A45C 13/02; A63F
 3/06; A63F 3/00895

See application file for complete search history.

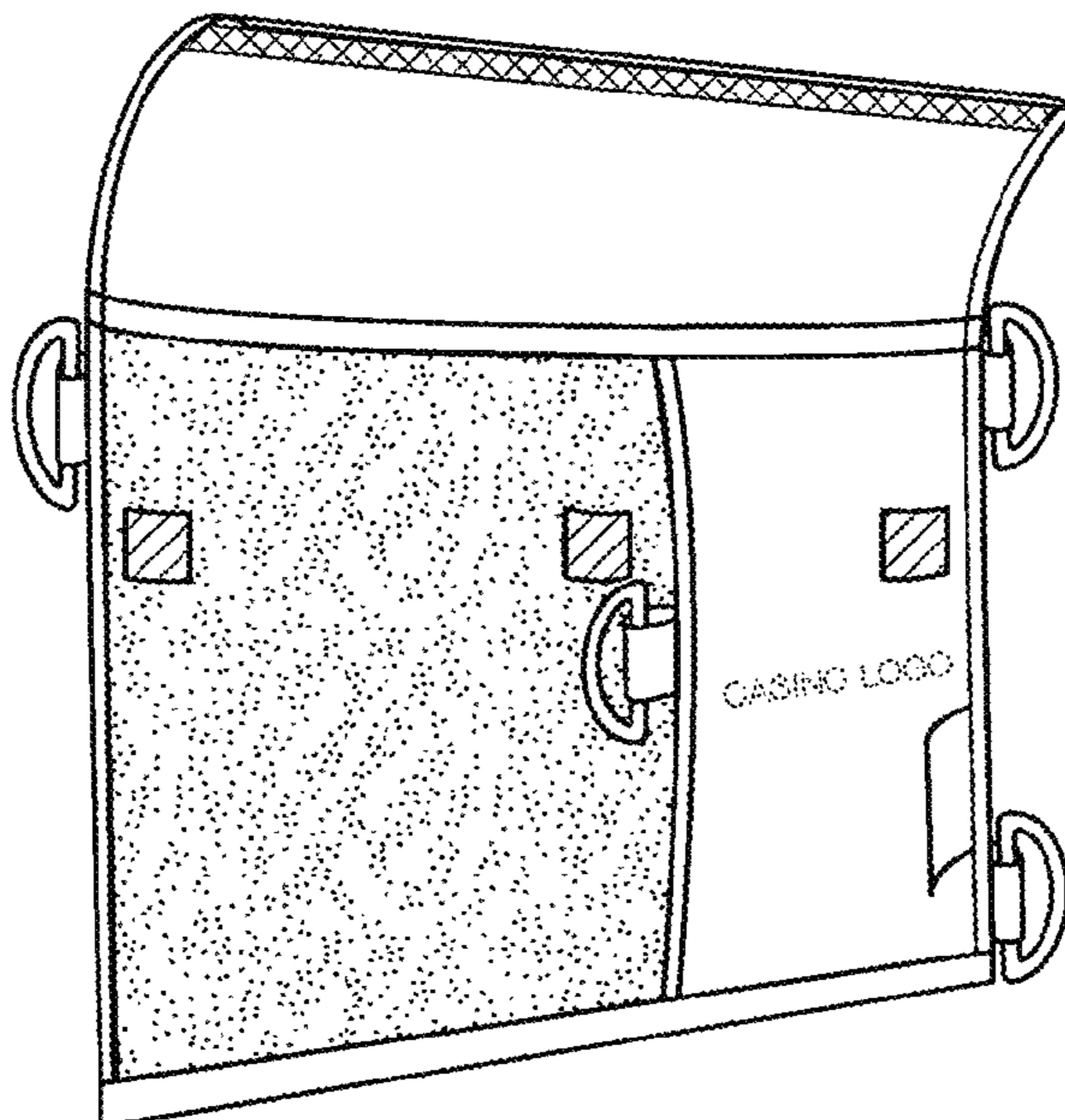
(56) **References Cited**

U.S. PATENT DOCUMENTS

1,359,320 A * 11/1920 Brenan 150/132
 D252,355 S * 7/1979 Uber 224/600
 5,190,377 A * 3/1993 Kelly A63F 3/06
 150/112
 5,285,833 A * 2/1994 Haxby A45C 1/04
 150/102

FIG. 1 is a front perspective view of the casino clutch showing my new design.
 FIG. 2 is a front perspective view, with the flap shown in an open position.
 FIG. 3 is a rear perspective view of one end of the design showing how a belt strap would attach to the casino clutch.
 FIG. 4 is an environmental view, showing a person wearing the casino clutch around their waist.
 FIG. 5 is an environmental view, showing the casino clutch hung from the shoulder of a wearer; and,
 FIG. 6 is an environmental view, showing the casino clutch hung around the neck of a wearer.
 The broken lines in the drawings are for the purpose of illustrating environmental structure which form no part of the claimed design.

1 Claim, 6 Drawing Sheets



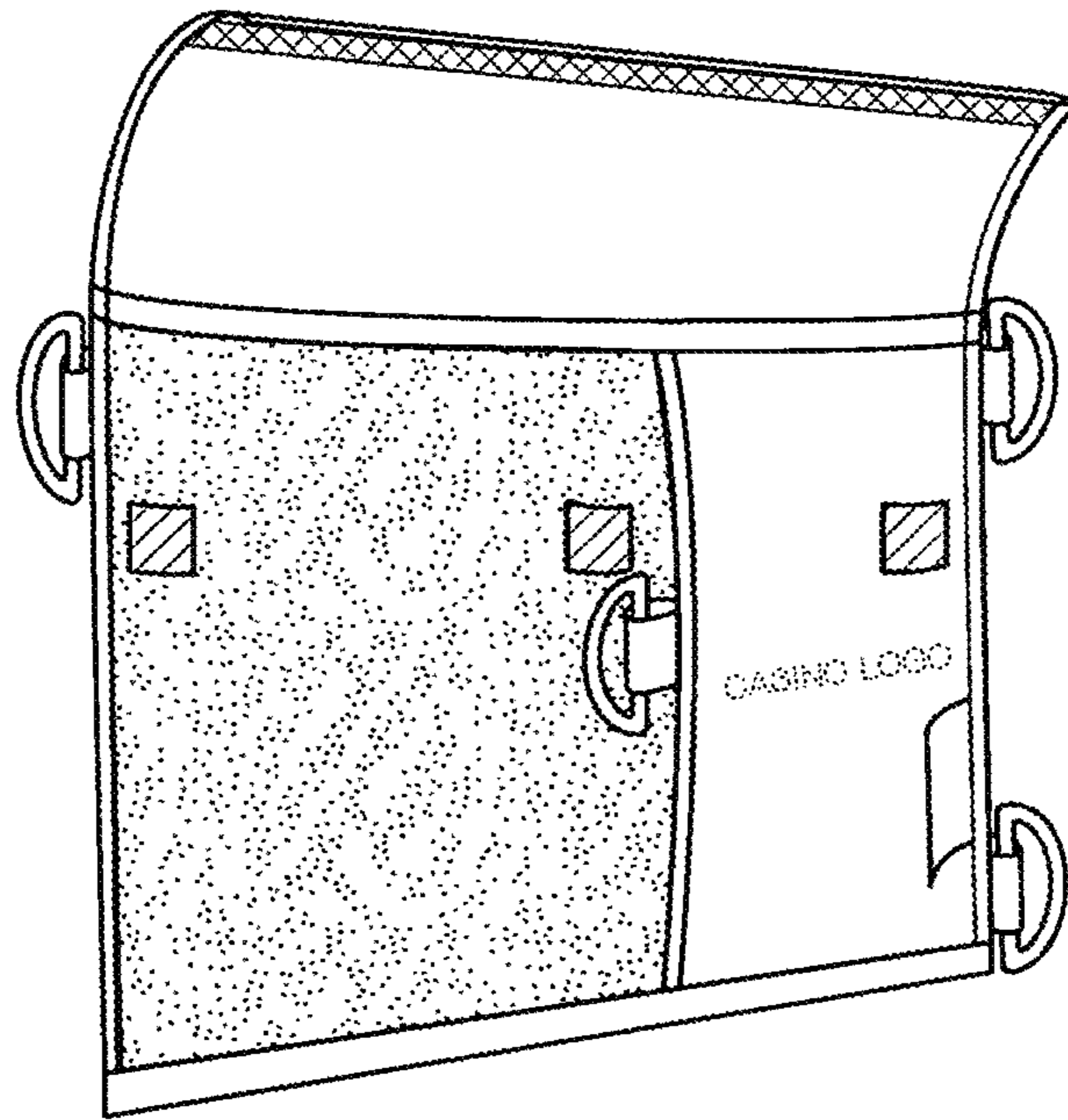


FIG. 1

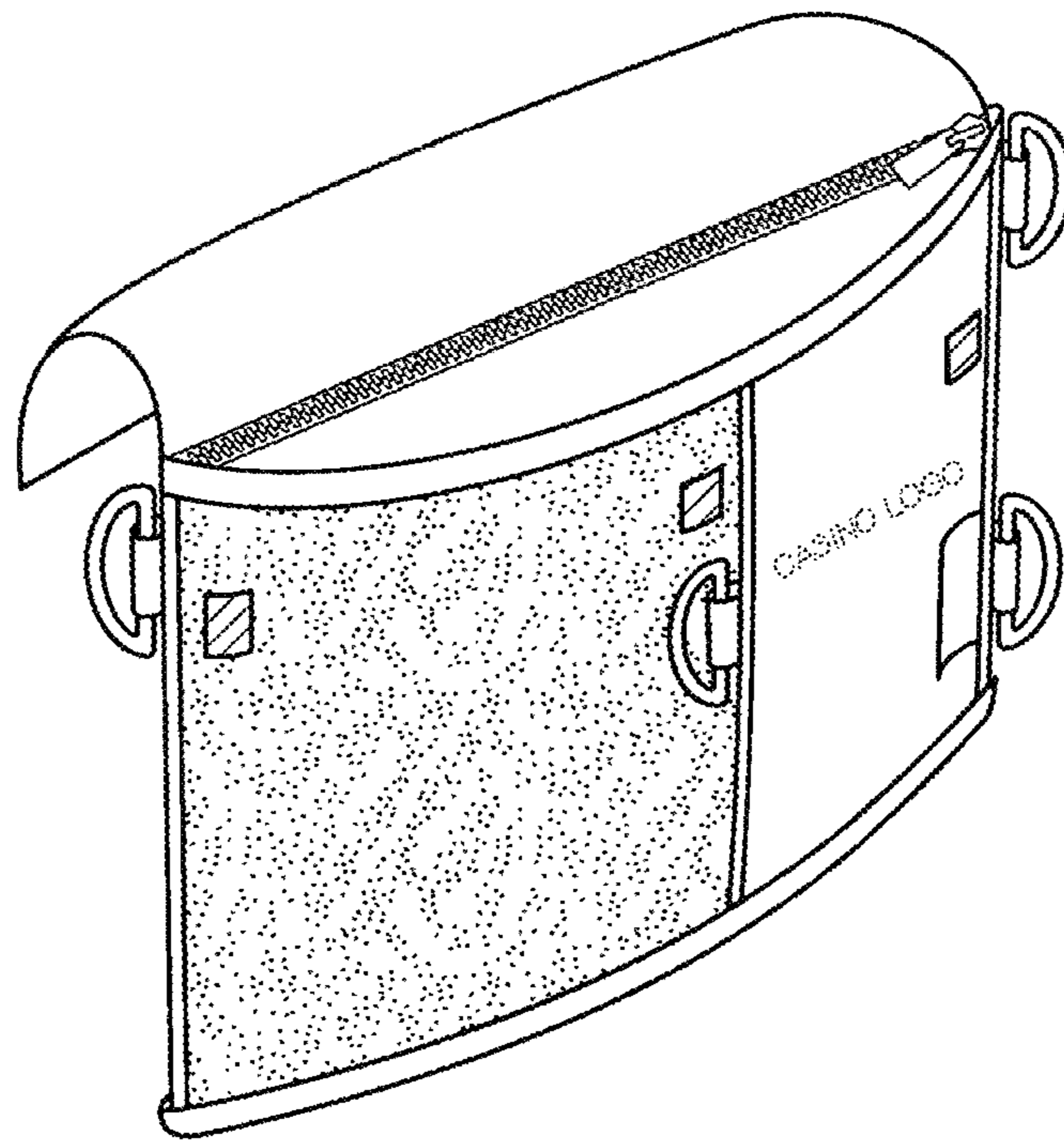


FIG. 2

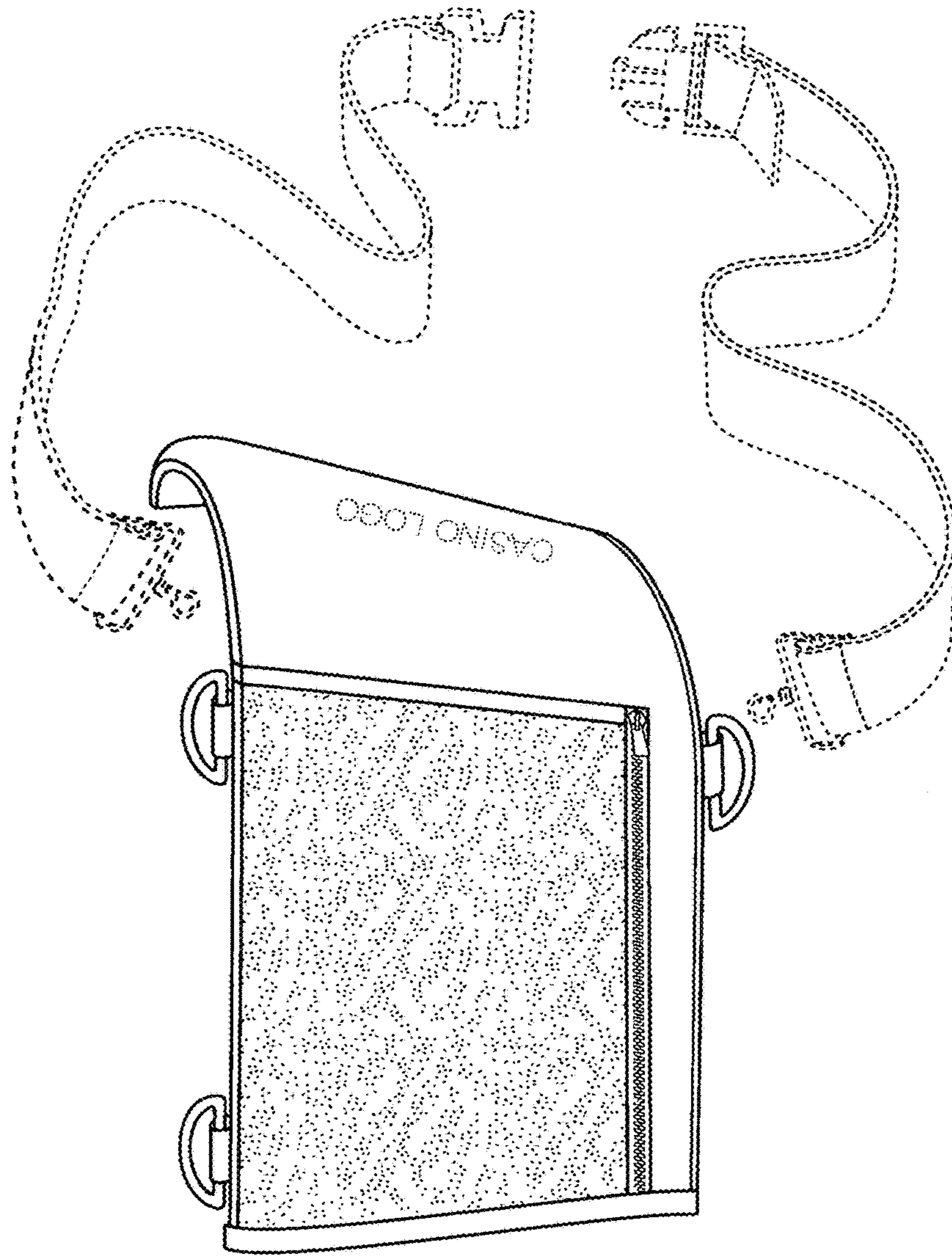


FIG. 3

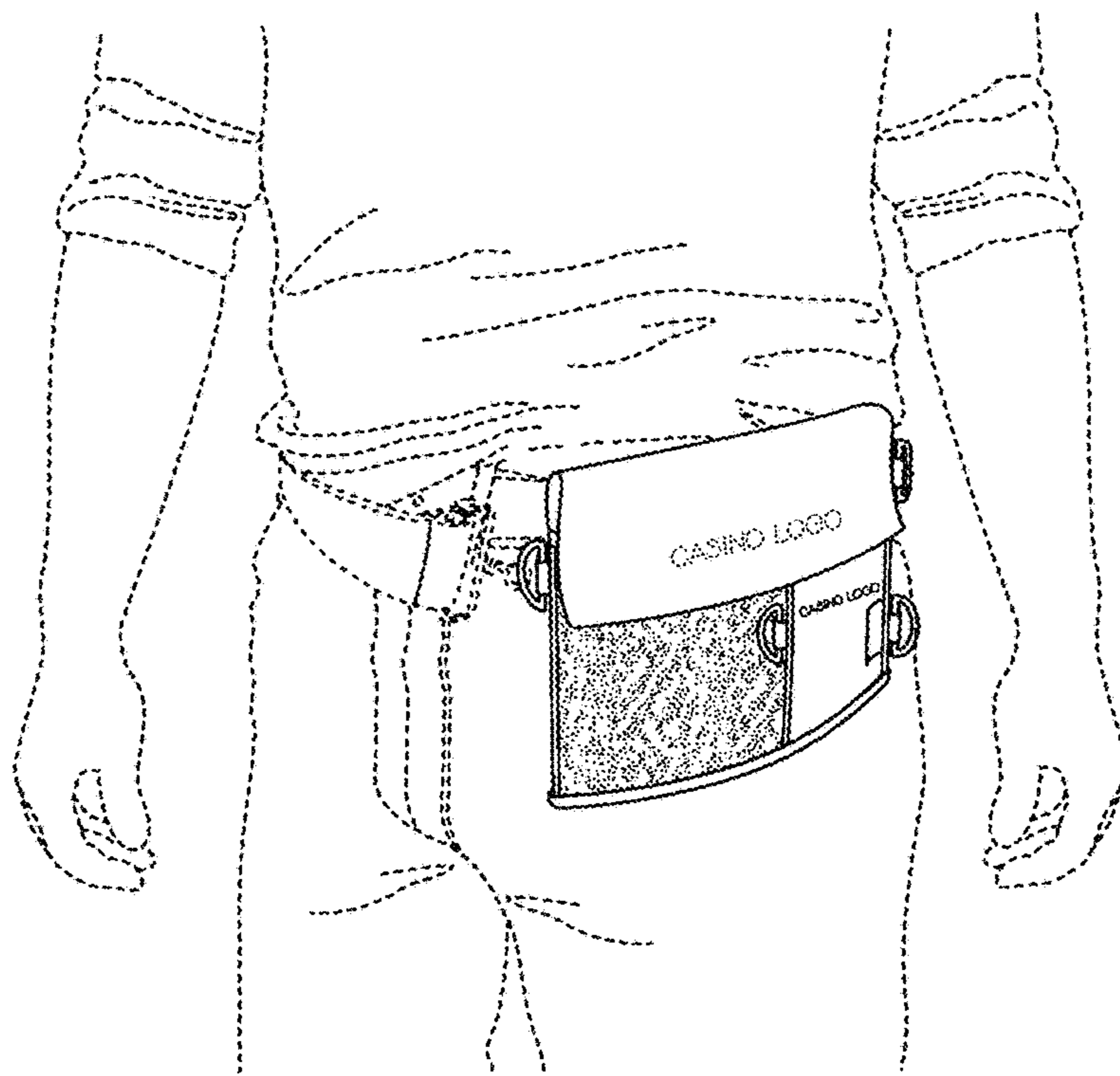


FIG. 4

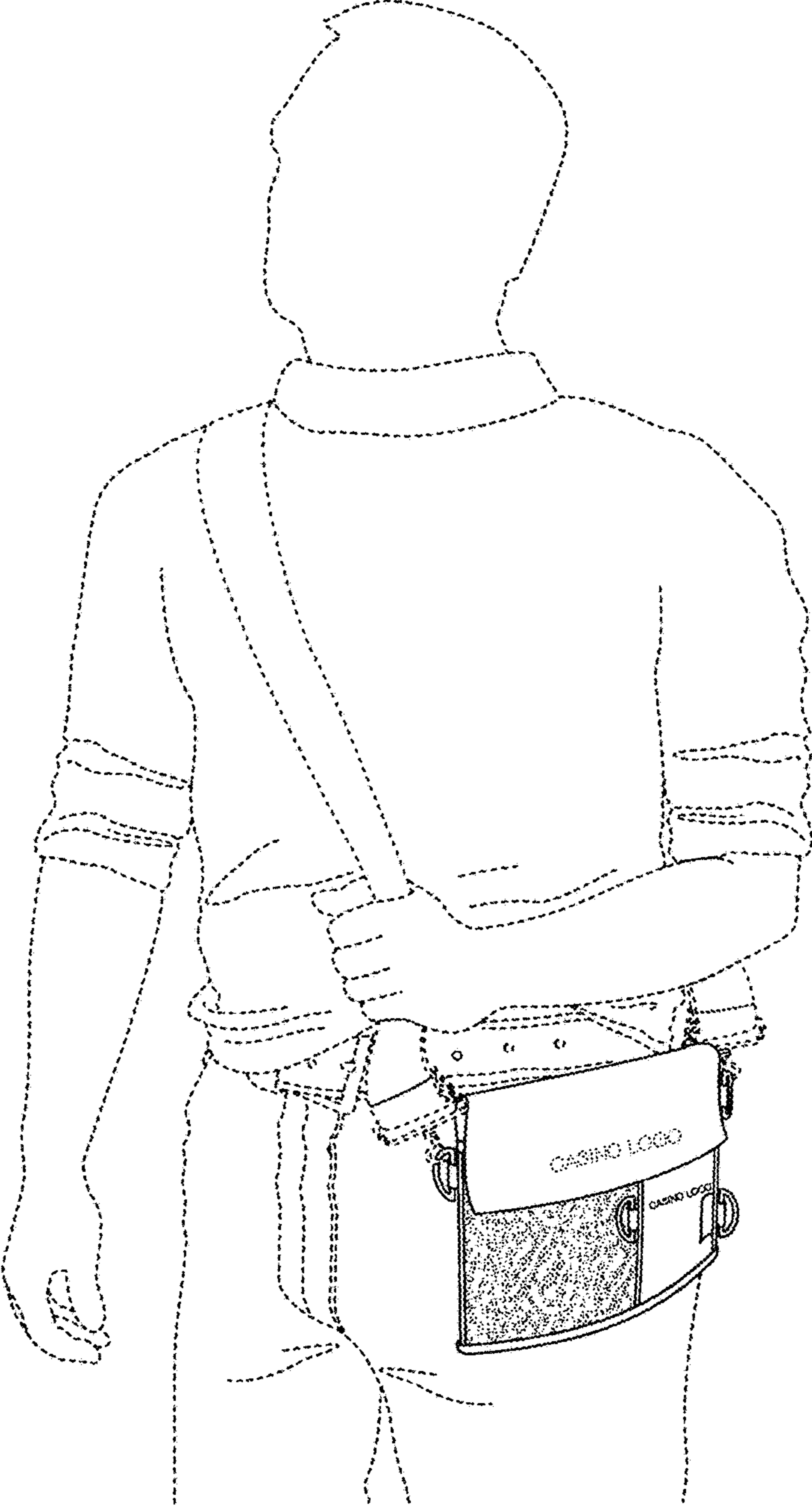


FIG. 5

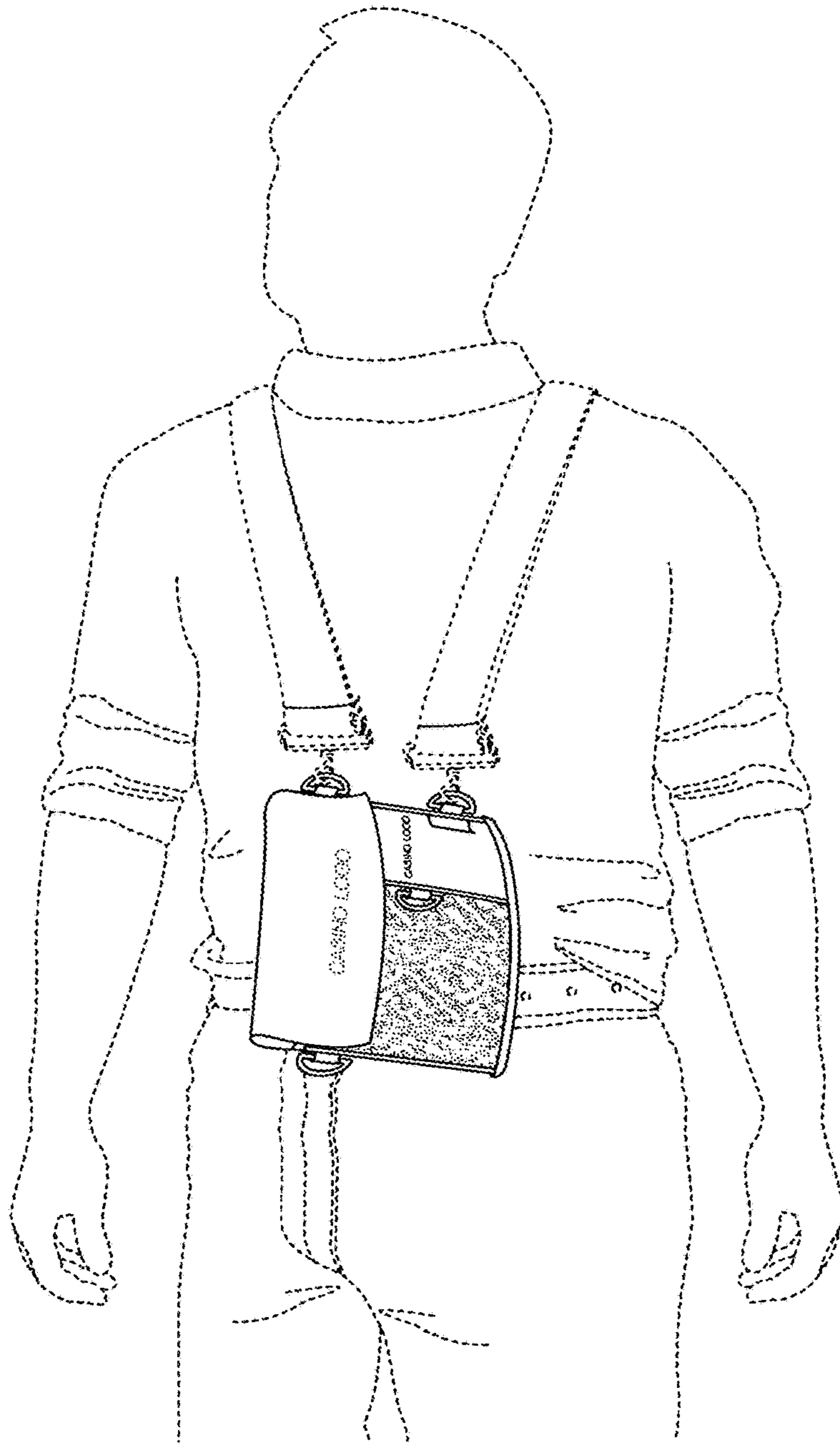


FIG. 6