



US00D833718S

(12) **United States Design Patent**
Battle, Jr.

(10) **Patent No.:** **US D833,718 S**

(45) **Date of Patent:** **** Nov. 20, 2018**

- (54) **HAT**
- (71) Applicant: **Mckinley Battle, Jr.**, Silver Spring, MD (US)
- (72) Inventor: **Mckinley Battle, Jr.**, Silver Spring, MD (US)
- (**) Term: **15 Years**
- (21) Appl. No.: **29/613,839**
- (22) Filed: **Aug. 14, 2017**
- (51) **LOC (11) Cl.** **02-03**
- (52) **U.S. Cl.**
USPC **D2/882**
- (58) **Field of Classification Search**
USPC D2/865, 866, 869, 871, 872, 873, 876,
D2/879, 882, 886, 891, 893
CPC A42B 1/00; A42B 1/004; A42B 1/006;
A42B 1/02; A42B 1/06; A42B 1/061;
A42B 1/062; A42B 1/063; A42B 1/24;
A42B 1/241
See application file for complete search history.

(56) **References Cited**

U.S. PATENT DOCUMENTS

- 2,068,760 A * 1/1937 Olson A42C 5/00
2/175.3
- 2,874,387 A * 2/1959 Bannister A42B 1/062
2/10
- 5,689,830 A * 11/1997 Pflum A42B 1/065
2/10

- D416,665 S * 11/1999 Jones D2/874
- 6,634,030 B2 * 10/2003 Park A42B 1/062
2/195.1
- D492,471 S * 7/2004 Park D2/893
- D519,717 S * 5/2006 Kim D2/893
- D521,211 S * 5/2006 Park D2/893
- D529,748 S * 10/2006 Park D2/876
- D724,821 S * 3/2015 Kim D2/892
- D728,203 S * 5/2015 Bono D2/893
- 2008/0028498 A1 * 2/2008 Beheton A42B 1/062
2/175.1
- 2008/0098502 A1 * 5/2008 Tai A42B 1/063
2/175.1

* cited by examiner

Primary Examiner — Karen S Acker
Assistant Examiner — Jasmine Mlinarcik

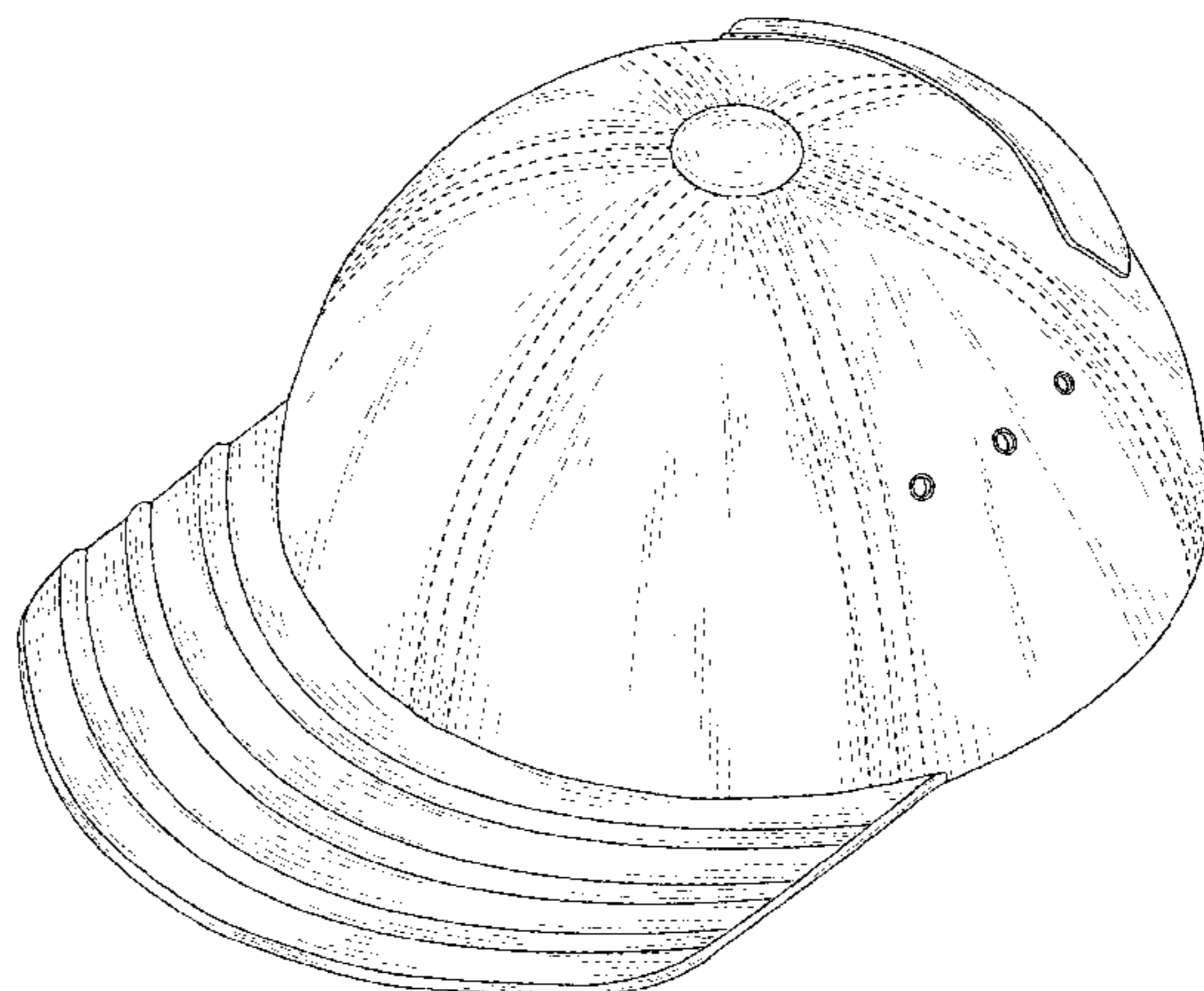
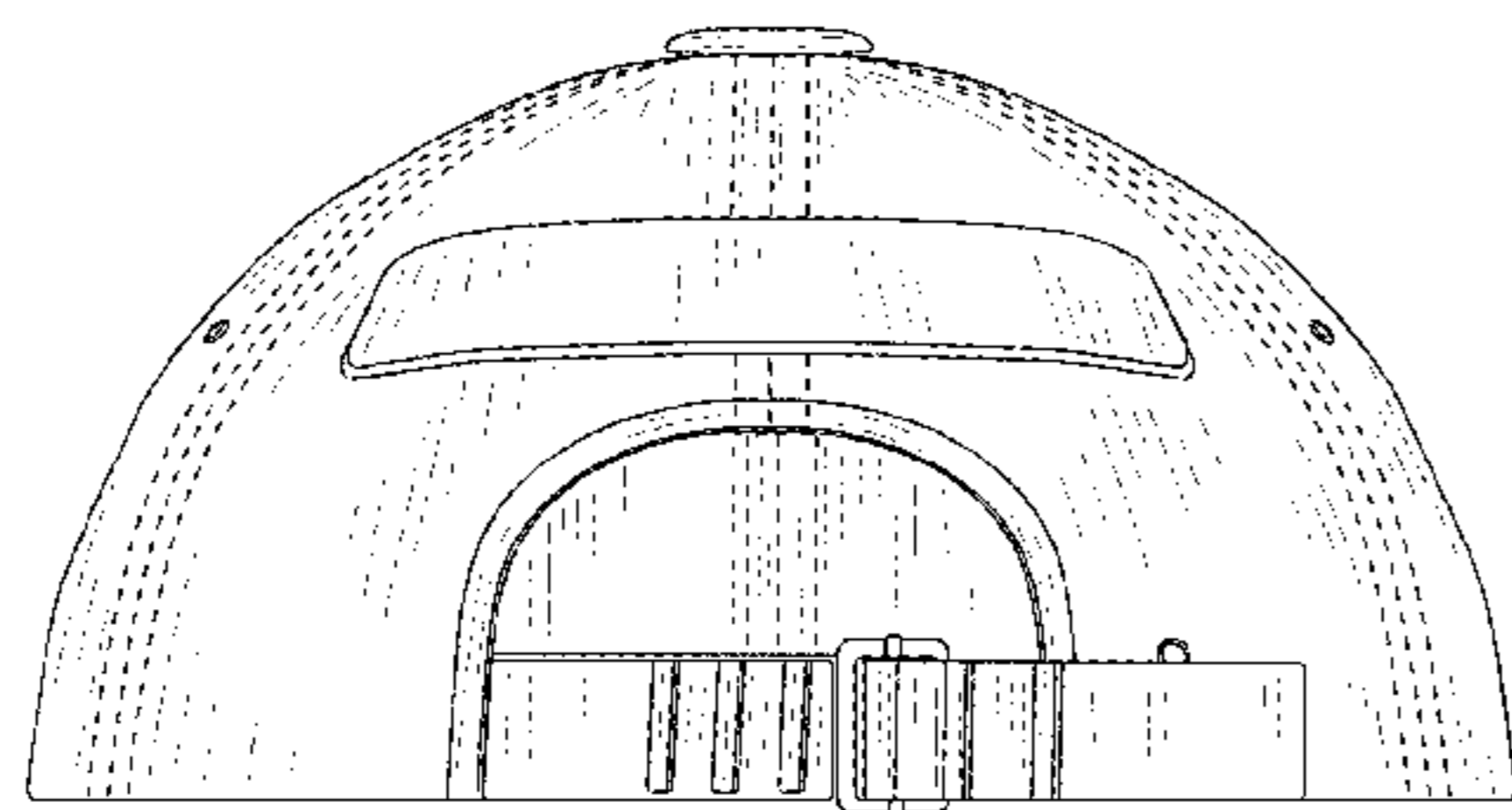
(57) **CLAIM**

The ornamental design for a hat, as shown and described.

DESCRIPTION

FIG. 1 is a front elevational view of a hat;
 FIG. 2 is a right side elevational view thereof;
 FIG. 3 is a rear elevational view thereof;
 FIG. 4 is a left side elevational view thereof;
 FIG. 5 is a top plan view thereof;
 FIG. 6 is a bottom plan view thereof;
 FIG. 7 is a front perspective view thereof; and,
 FIG. 8 is a rear perspective view thereof.
 The broken line showing of stitching is included for the purpose of illustrating environmental structure and forms no part of the claimed design.

1 Claim, 8 Drawing Sheets



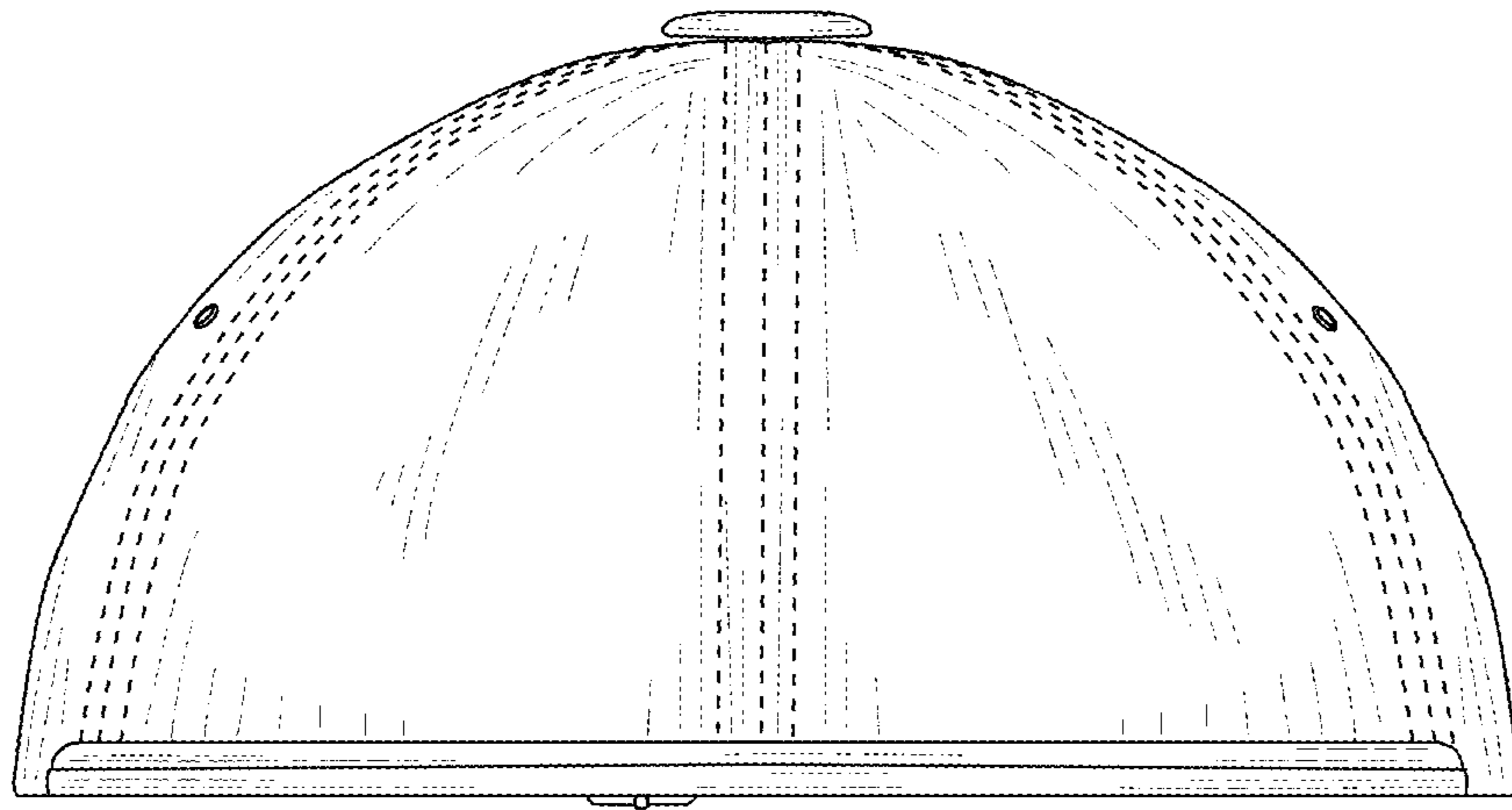


FIG. 1

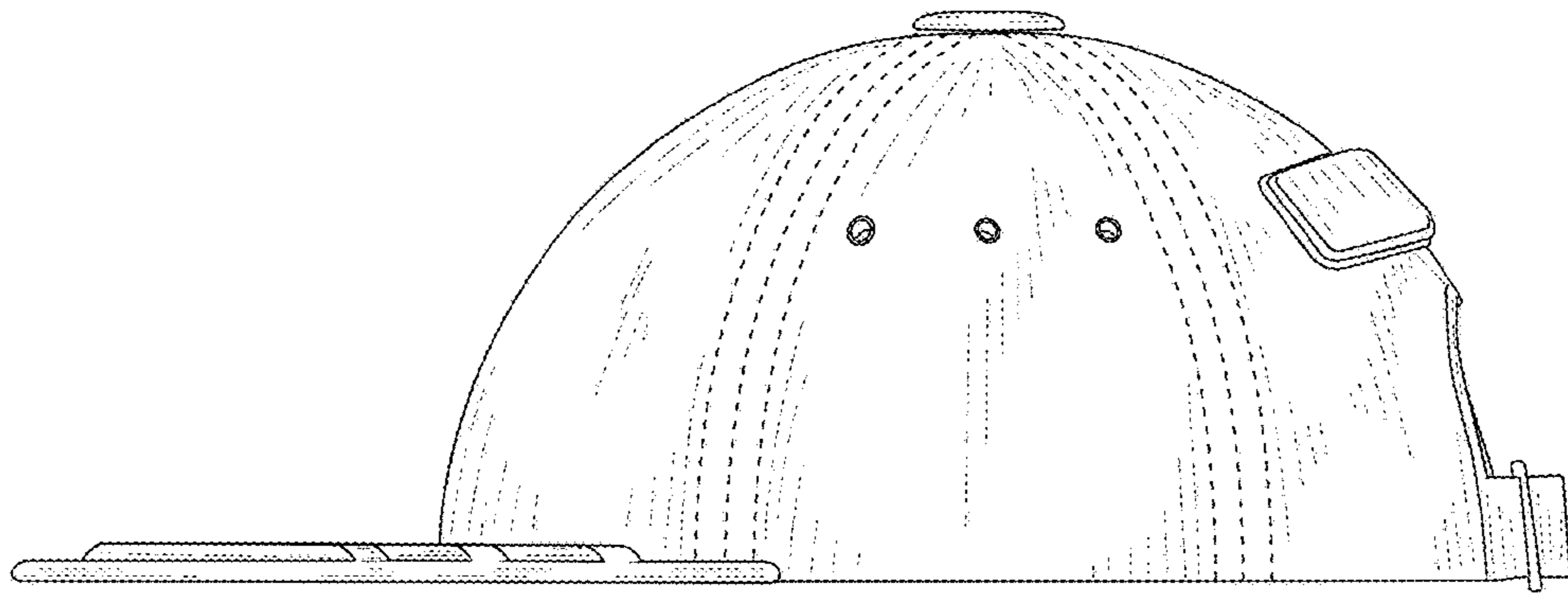


FIG. 2

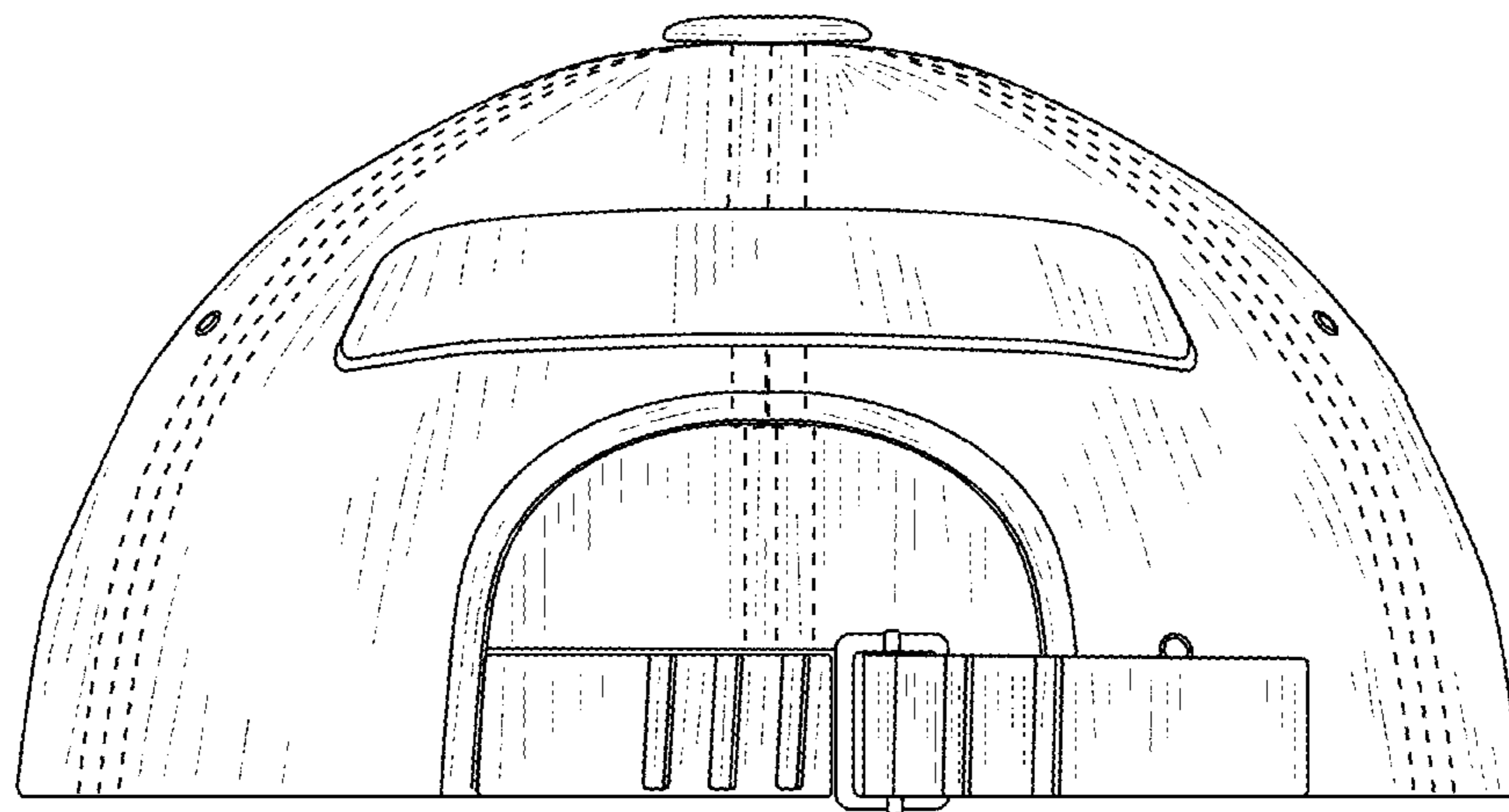


FIG. 3

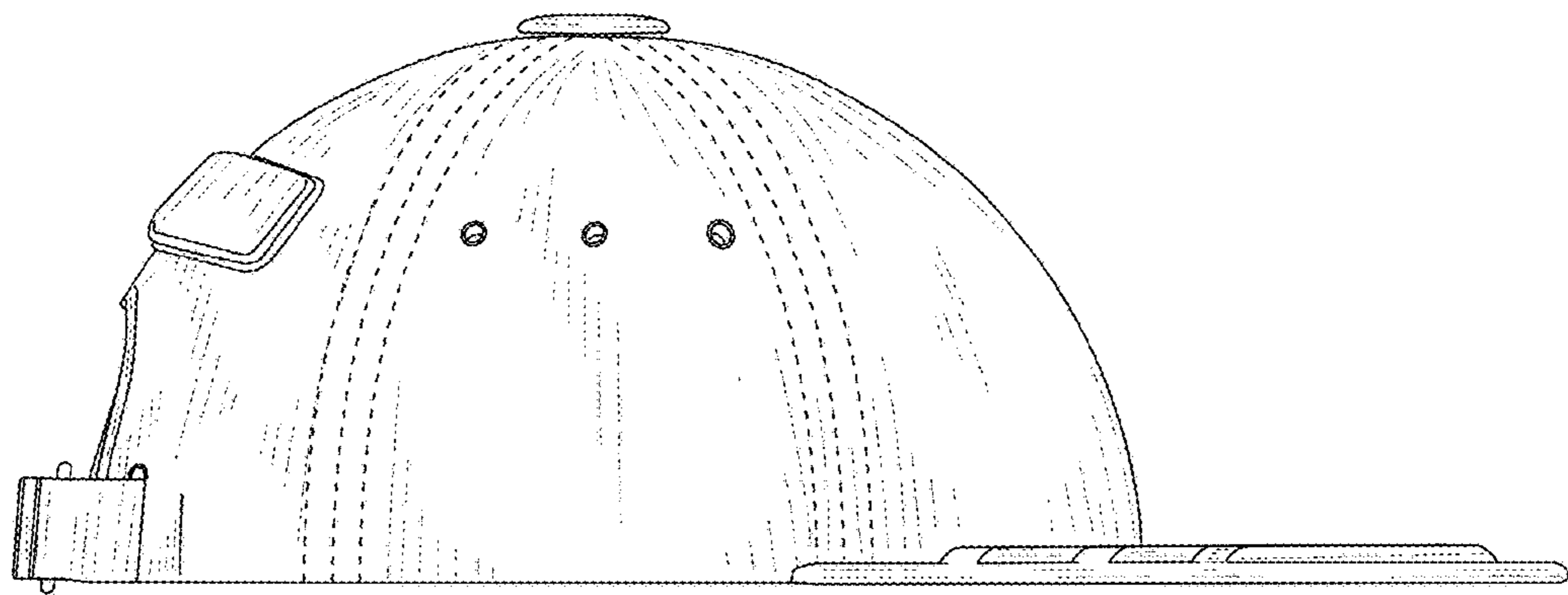


FIG. 4

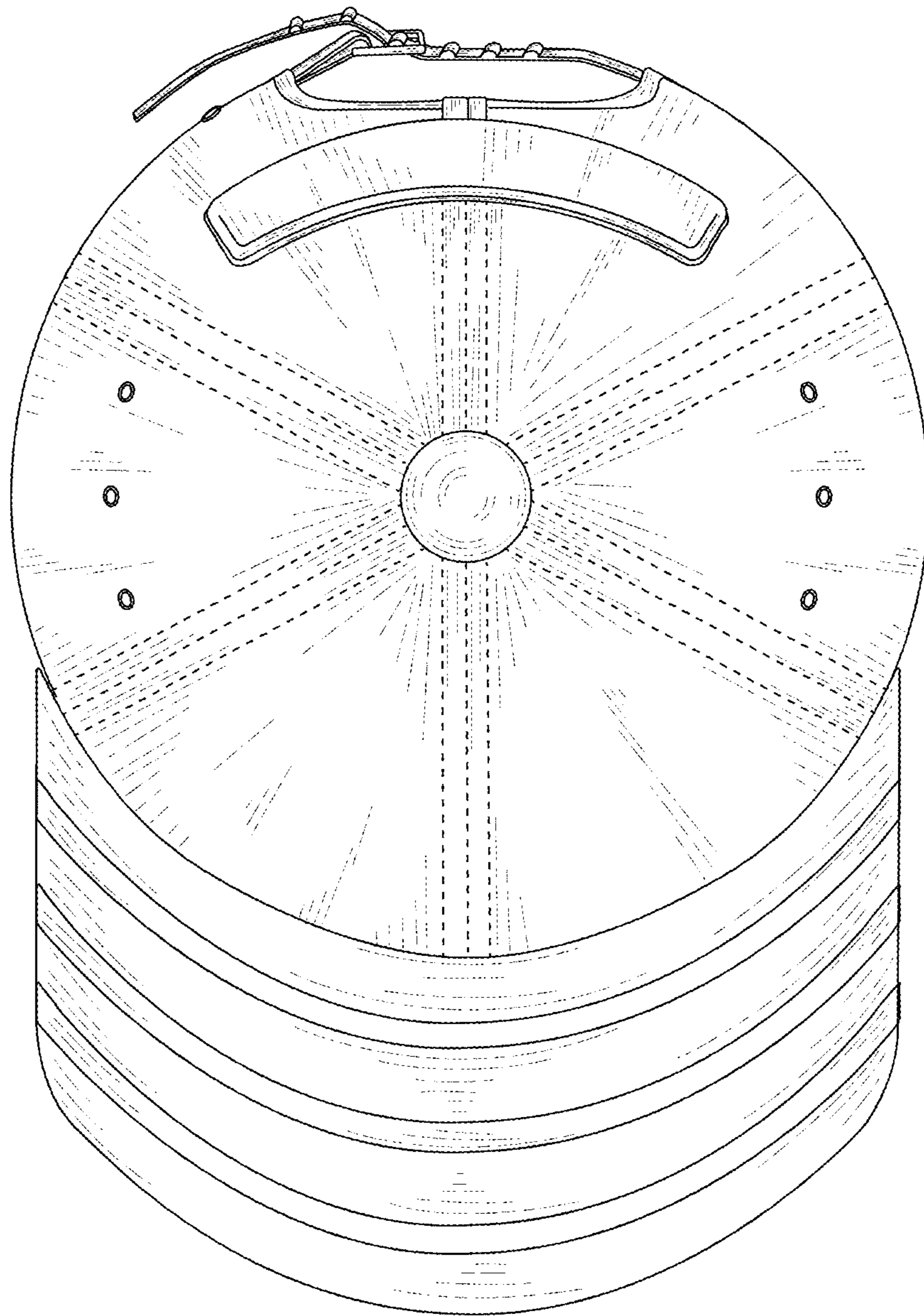


FIG. 5

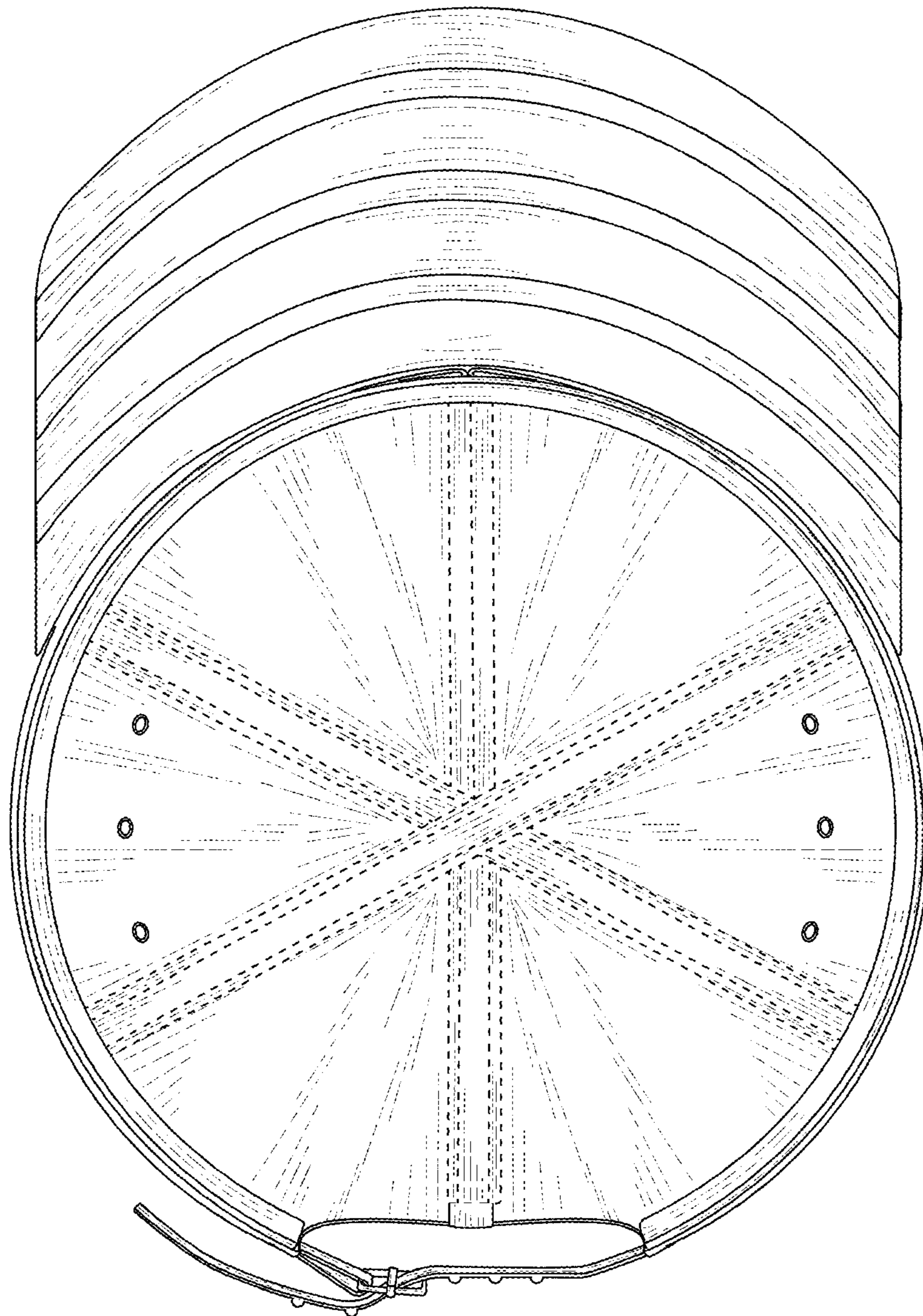


FIG. 6

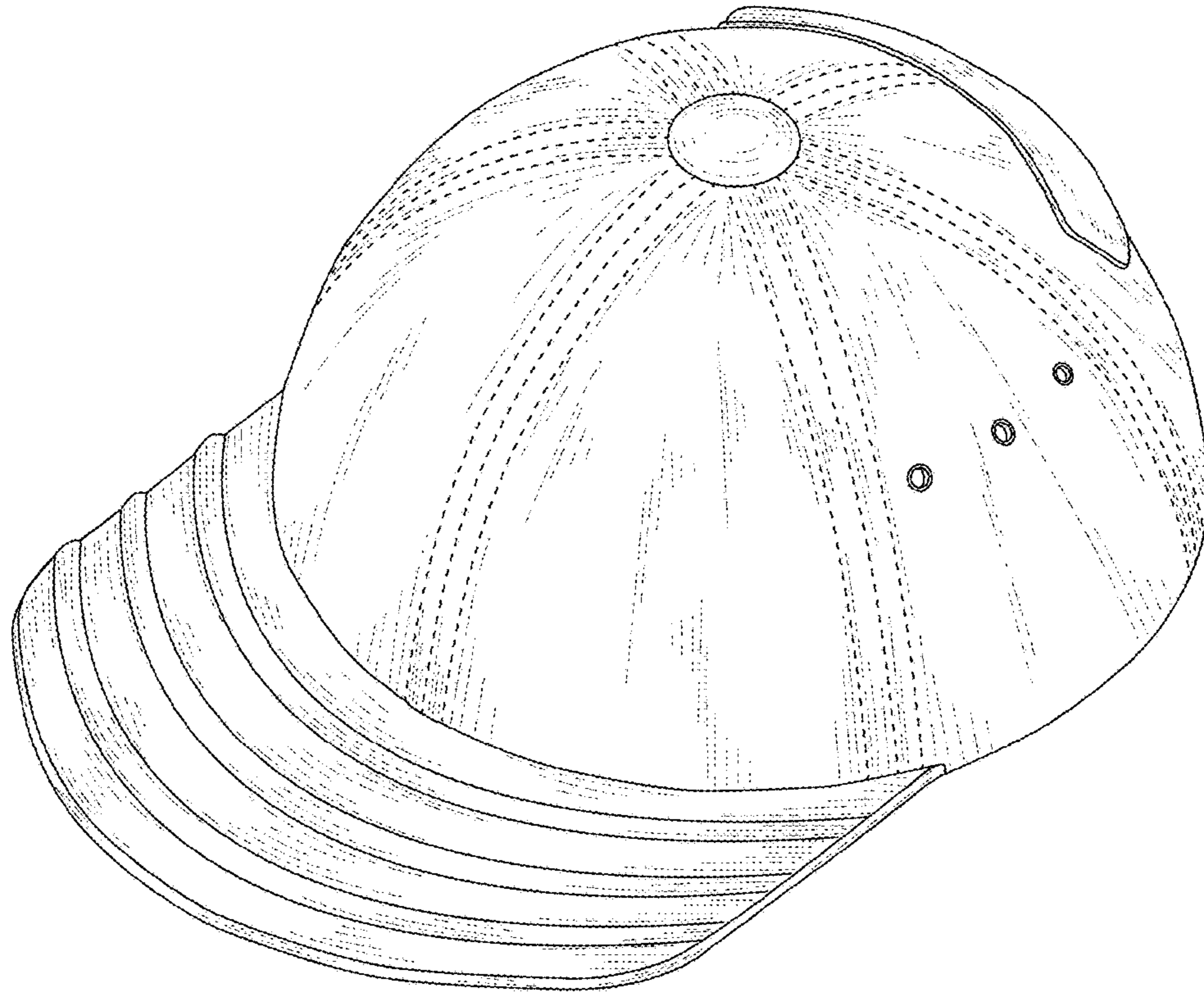


FIG. 7

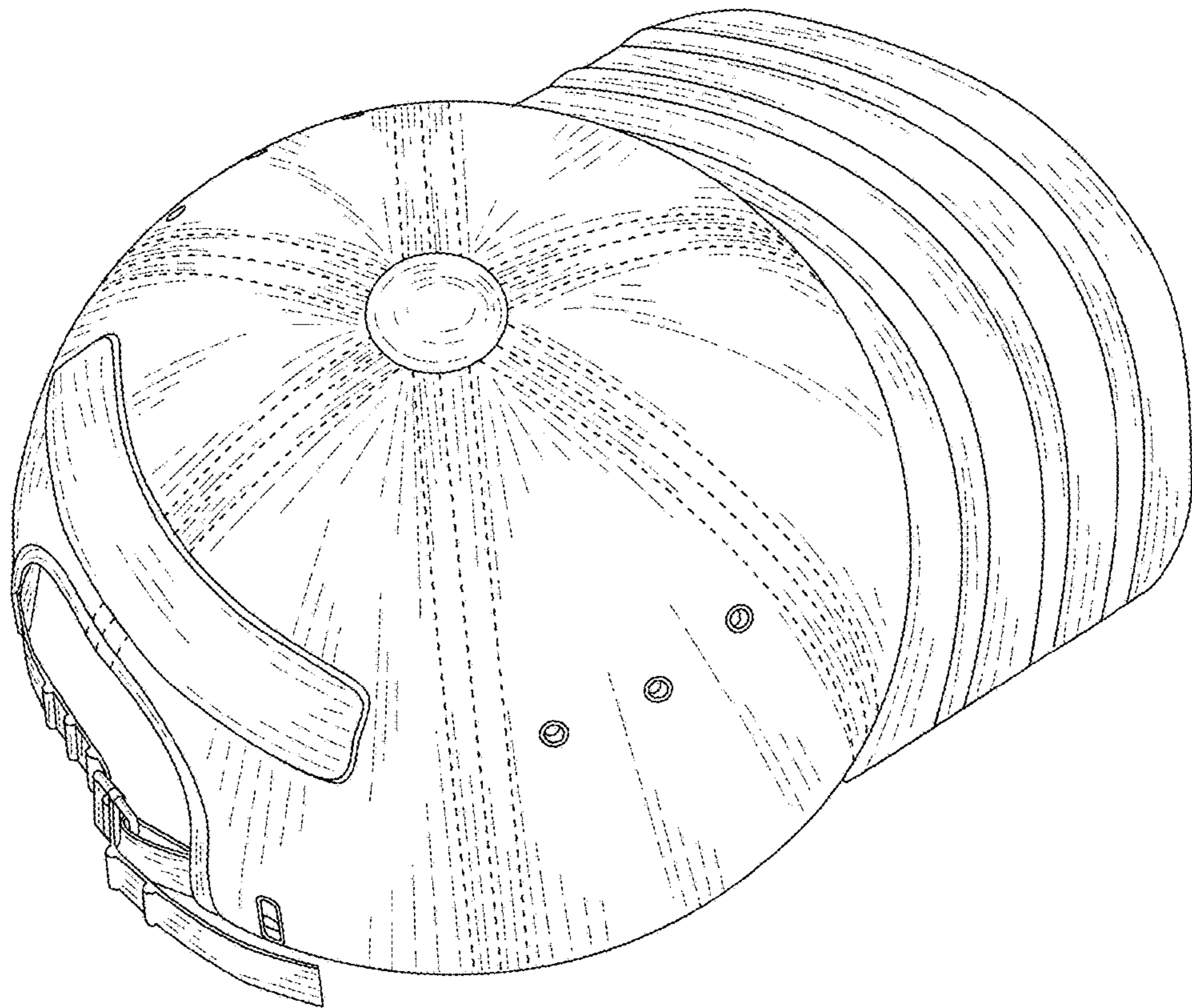


FIG. 8