



US00D833716S

(12) **United States Design Patent**
Hester

(10) **Patent No.:** **US D833,716 S**

(45) **Date of Patent:** **** Nov. 20, 2018**

(54) **VISOR COVER FOR HEADWEAR**

(71) Applicant: **Yvonne Hester**, Lawrence, NY (US)

(72) Inventor: **Yvonne Hester**, Lawrence, NY (US)

(**) Term: **15 Years**

(21) Appl. No.: **29/620,839**

(22) Filed: **Jul. 17, 2017**

(51) **LOC (11) Cl.** **02-03**

(52) **U.S. Cl.**

USPC **D2/876**

(58) **Field of Classification Search**

USPC D2/865, 866, 871, 872, 876, 878, 882,
D2/884, 891, 892, 893; D29/109, 122
CPC .. A42B 1/00; A42B 1/002; A42B 1/02; A42B
1/062; A42B 1/063; A42B 1/064; A42B
1/18; A42B 1/20; A42B 1/201; A42B
1/205; A42B 1/206; A42B 1/22; A42C
5/00

See application file for complete search history.

(56) **References Cited**

U.S. PATENT DOCUMENTS

1,506,664 A * 8/1924 Pickard A61F 9/045
2/12
1,598,314 A * 8/1926 Rosenberg A42B 1/22
2/10
2,019,028 A * 10/1935 Sternberg A61F 9/045
2/12
3,266,056 A * 8/1966 De Villers A42B 1/208
2/12
4,096,589 A * 6/1978 Goldstein A61F 9/045
2/12
D263,092 S * 2/1982 Fay D2/876
4,356,048 A * 10/1982 Price A42B 1/062
156/220
D267,752 S * 2/1983 Fairbrother D14/168
4,491,256 A * 1/1985 Payne D06F 59/02
223/24

4,547,903 A * 10/1985 Brown A41D 20/00
2/12
D282,406 S * 2/1986 Levy D2/876
D285,021 S * 8/1986 Chandler D2/876
4,606,453 A * 8/1986 Burns A45C 11/04
2/13
D286,221 S * 10/1986 Murray, II D2/876
D288,025 S * 2/1987 Laughlin D2/871
D302,609 S * 8/1989 Wheeler D2/876
5,070,545 A * 12/1991 Tapia A42B 1/064
2/10

(Continued)

OTHER PUBLICATIONS

“Skirddle” on-line photo, [published to the Internet on Mar. 2, 2018]; [retrieved from the Internet on Jun. 26, 2018]; URL: https://www.instagram.com/p/Bf0j72iH_uD/?taken-by=skirddle. (1 pg). (Year: 2018).*

Primary Examiner — Karen S Acker

Assistant Examiner — Jasmine Mlinarcik

(57)

CLAIM

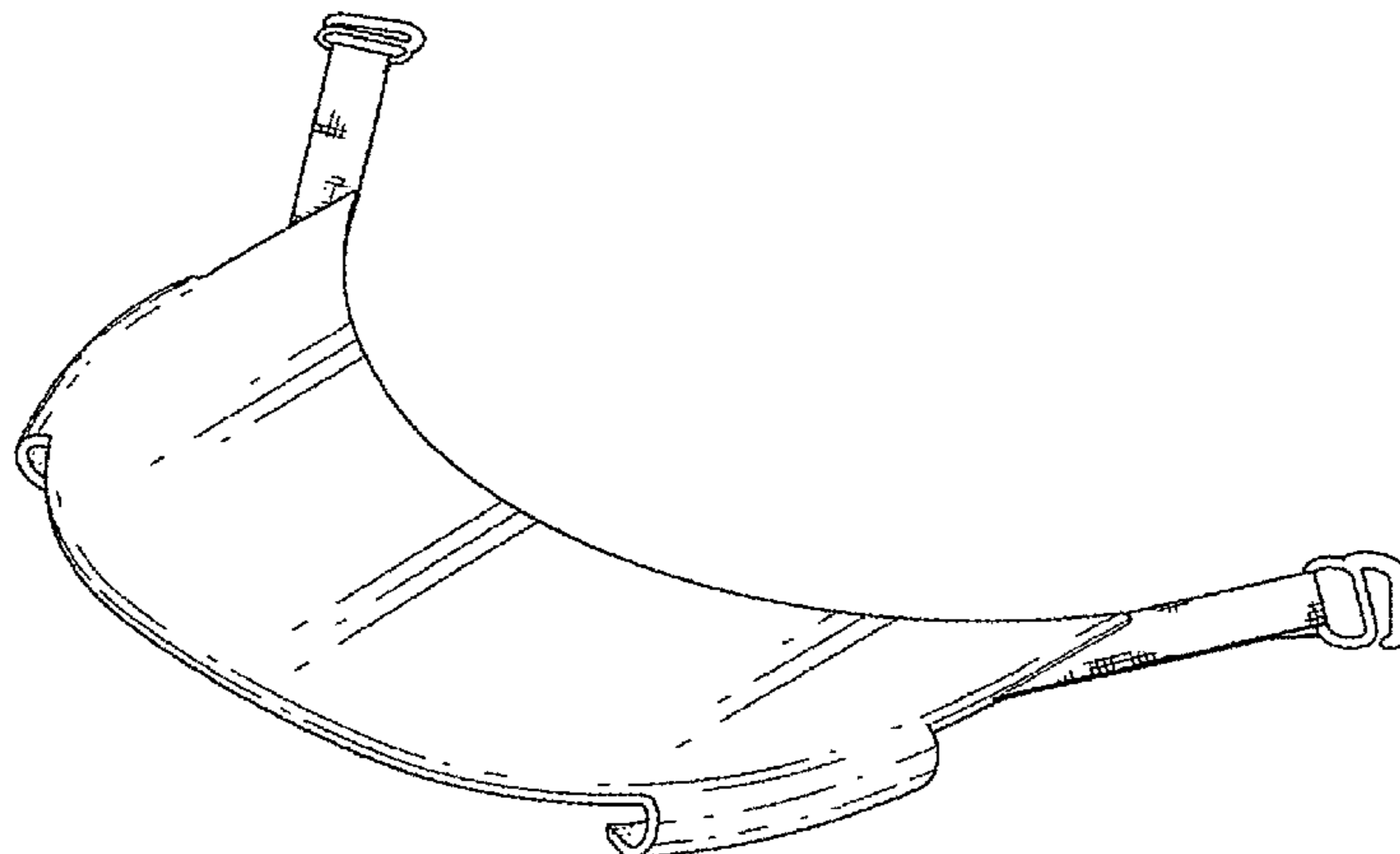
The ornamental design for a visor cover for headwear, as shown and described.

DESCRIPTION

FIG. 1 is a top plan view of the visor cover for headwear; FIG. 2 is a bottom plan view thereof; FIG. 3 is a front elevation view thereof; FIG. 4 is a rear elevation view thereof; FIG. 5 is a left side elevation view thereof; FIG. 6 is a right side elevation view thereof; FIG. 7 is a front perspective view of the headwear visor; and, FIG. 8 is a front perspective view of the headwear visor shown in a position of use.

The ball cap illustrated by broken lines in FIG. 8 depicts environmental structure that forms no part of the claimed design.

1 Claim, 5 Drawing Sheets



(56)

References Cited

U.S. PATENT DOCUMENTS

D324,128 S * 2/1992 Hoskins D2/876
 5,099,524 A * 3/1992 Linday A41D 20/00
 2/10
 D337,124 S * 7/1993 Hall D16/314
 D358,006 S * 5/1995 Chisolm D2/893
 D367,753 S * 3/1996 Burge D2/876
 D374,972 S * 10/1996 Nelson D2/882
 5,581,808 A * 12/1996 Garza A42B 1/062
 2/12
 5,666,669 A * 9/1997 Sewell A42B 1/062
 2/10
 5,845,339 A * 12/1998 Ashley A42B 1/062
 2/195.6
 5,862,523 A * 1/1999 Proctor A42B 1/064
 2/171
 5,903,921 A * 5/1999 Dow A42B 1/062
 2/12

D412,774 S * 8/1999 Shwartz D2/865
 D439,728 S * 4/2001 Smith D2/866
 D441,938 S * 5/2001 Davis D2/865
 D501,704 S * 2/2005 Hathaway D2/869
 6,910,226 B2 * 6/2005 Hoyez A42B 1/225
 2/195.1
 8,210,676 B1 * 7/2012 Hunt G02C 3/02
 2/209.13
 D672,120 S * 12/2012 Bross D2/893
 D673,352 S * 1/2013 Robinson D2/876
 D687,604 S * 8/2013 Bryan D29/109
 D779,172 S * 2/2017 Hester D2/876
 D796,159 S * 9/2017 Hester D2/876
 2011/0047674 A1 * 3/2011 Sheppard A42B 1/22
 2/195.2
 2012/0054936 A1 * 3/2012 Cornell A42B 3/227
 2/9
 2015/0135406 A1 * 5/2015 Nguyen A42B 1/205
 2/209.12

* cited by examiner

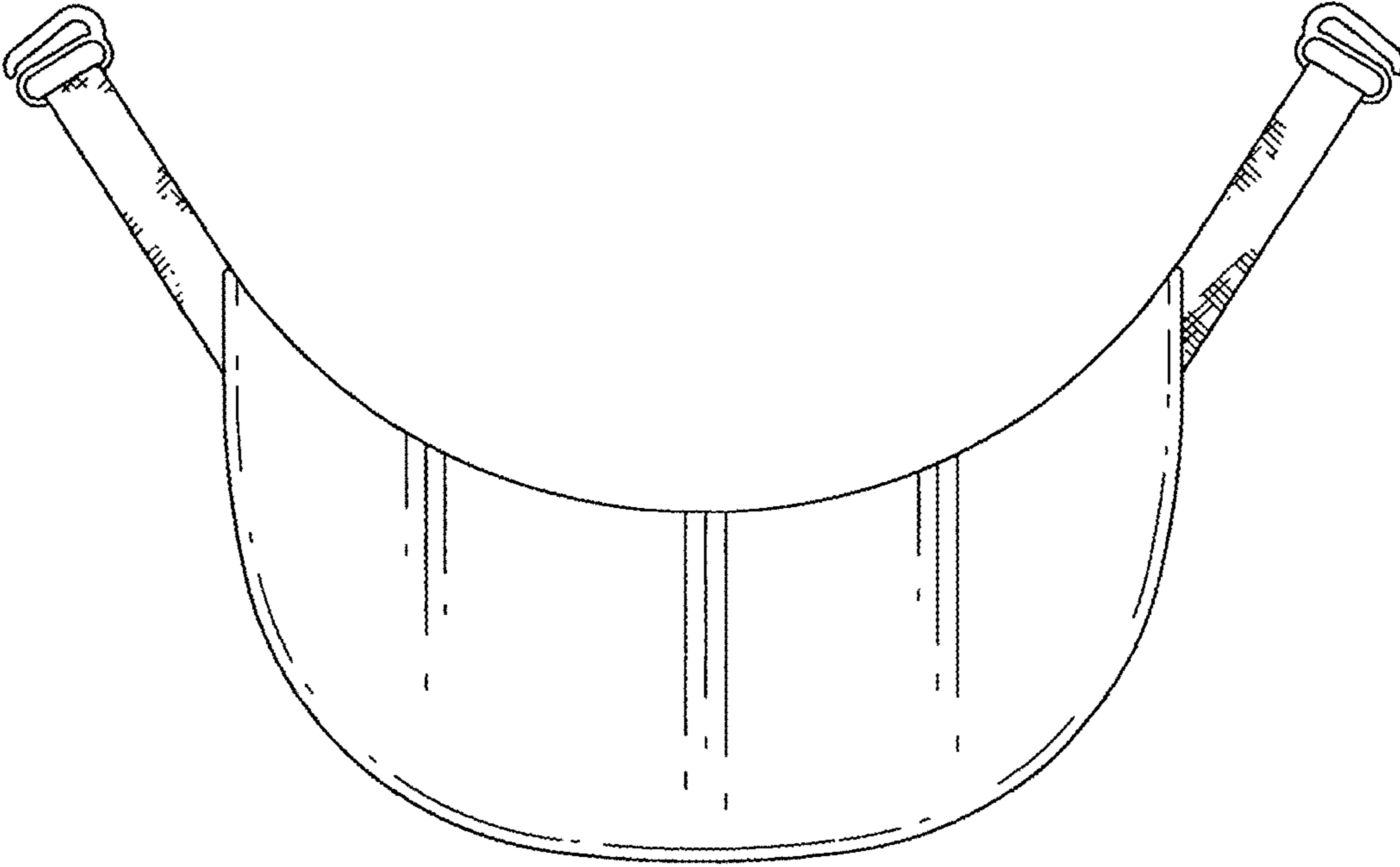


FIG. 1

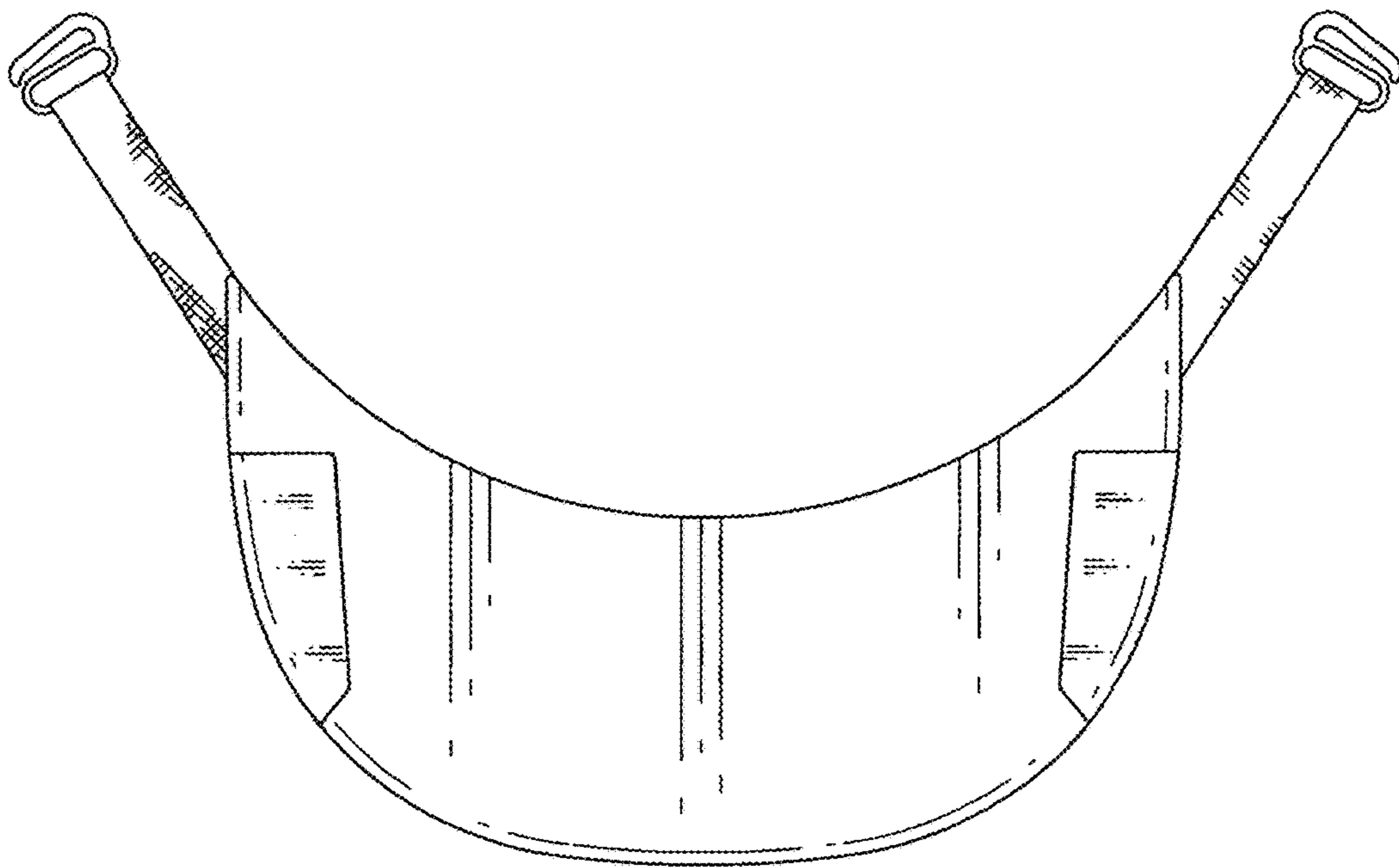


FIG. 2

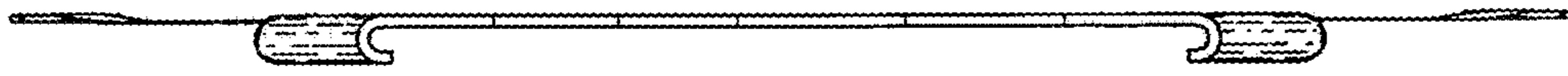


FIG. 3

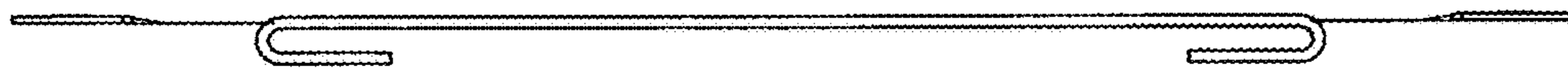


FIG. 4



FIG. 5



FIG. 6

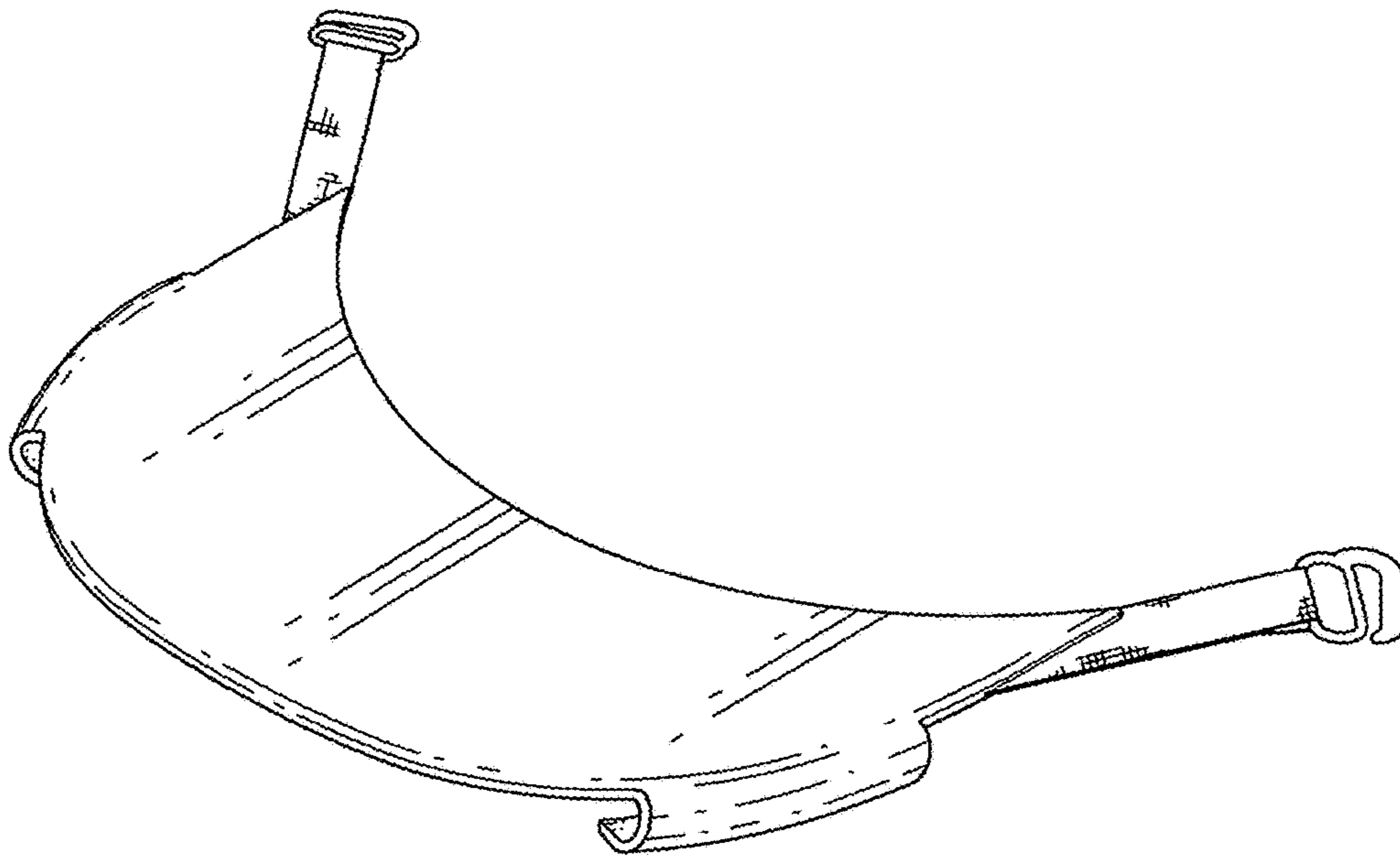


FIG. 7

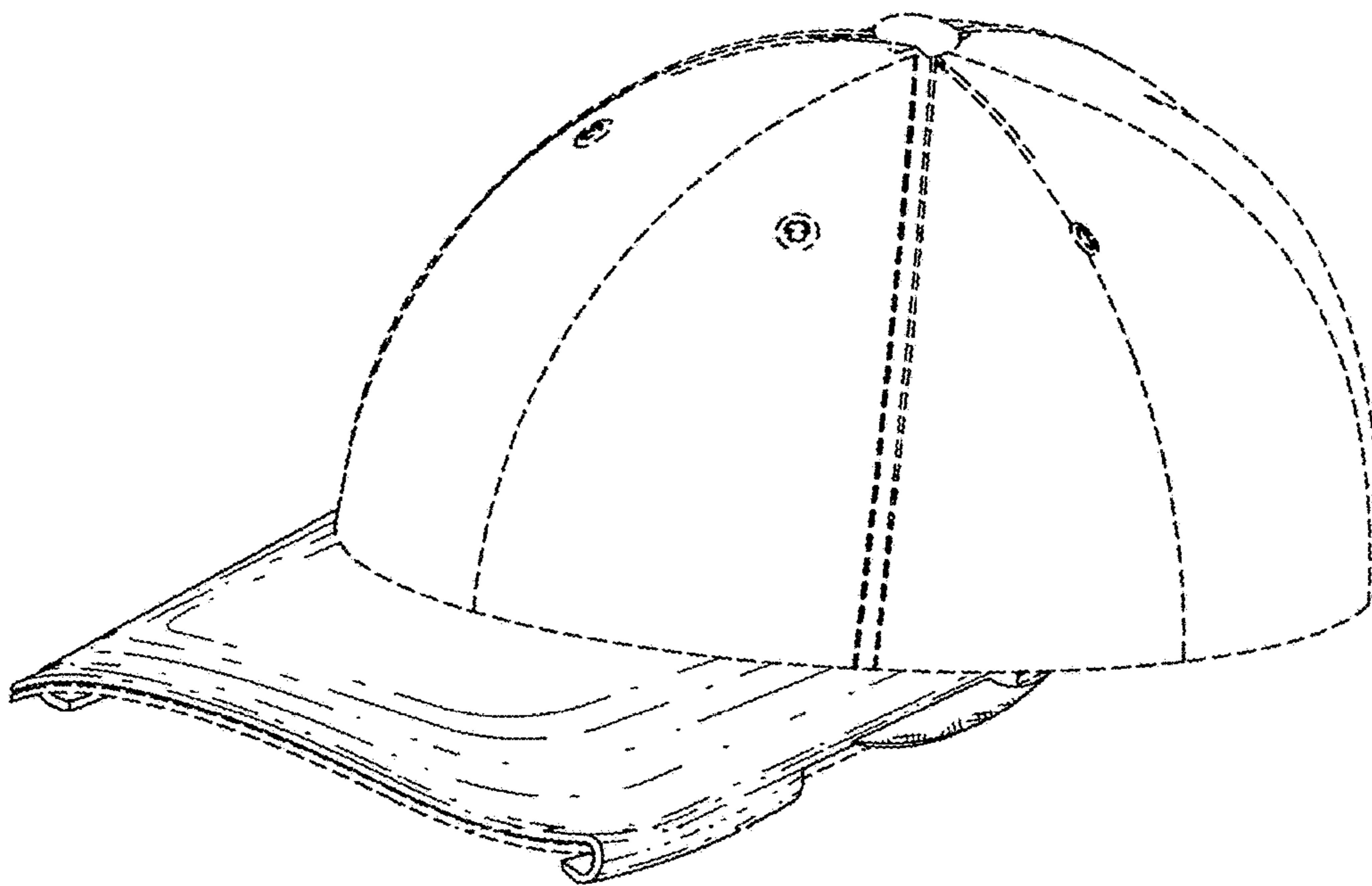


FIG. 8