



US00D833710S

(12) **United States Design Patent** (10) **Patent No.:** **US D833,710 S**  
**Relyea** (45) **Date of Patent:** **\*\* Nov. 20, 2018**

(54) **BRA STRAP**

(71) Applicant: **Tammi Relyea**, Alamo, CA (US)

(72) Inventor: **Tammi Relyea**, Alamo, CA (US)

(\*\*) Term: **15 Years**

(21) Appl. No.: **29/589,831**

(22) Filed: **Jan. 4, 2017**

(51) **LOC (11) Cl.** ..... **02-01**

(52) **U.S. Cl.**  
USPC ..... **D2/706**

(58) **Field of Classification Search**  
USPC ..... D11/200, 212; D2/639, 703, 706-711,  
D2/853, 624, 626; D9/444  
CPC ..... A41C 3/0028; A44B 19/00; A41F 1/00;  
A41F 1/008; A41F 15/00  
See application file for complete search history.

(56) **References Cited**

U.S. PATENT DOCUMENTS

D519,261 S *	4/2006	Reis	.....	D11/200
D551,427 S *	9/2007	Handley	.....	D2/624
D577,476 S *	9/2008	Hyde	.....	D2/639
D578,277 S *	10/2008	Lung	.....	D2/706
D578,732 S *	10/2008	Samuels	.....	D2/639
D578,733 S *	10/2008	Samuels	.....	D2/639
D587,433 S *	3/2009	Ratcliff	.....	D11/16
D613,479 S *	4/2010	Farmer	.....	D2/853
D619,781 S *	7/2010	Beaulieu	.....	D2/706
D631,638 S *	2/2011	Jones	.....	D2/706
D757,395 S *	5/2016	Traulsen	.....	D2/706
D767,248 S *	9/2016	Rogers	.....	D2/624
D773,780 S *	12/2016	Canady	.....	D2/853
D800,417 S *	10/2017	Gagich	.....	D2/626
2007/0105482 A1 *	5/2007	Styles-Gaviria	.....	A41F 15/002 450/88
2011/0185478 A1 *	8/2011	Cheng	.....	A41C 3/126 2/406
2013/0014351 A1 *	1/2013	Kuglen	.....	B65D 63/1027 24/17 B
2013/0084776 A1 *	4/2013	Walsh	.....	A41C 3/12 450/57
2014/0024290 A1 *	1/2014	Molina	.....	A41F 15/002 450/88

OTHER PUBLICATIONS

“Fun Express Spiked Bracelet” Found online Apr. 10, 2018 at www.amazon.com. Page dated Jan. 1, 2013. Retrieved from https://www.amazon.com/Fun-Express-Spike-Bracelets-Pack/dp/B005SX2TQW/ref=sr\_1\_fkmr2\_1?ie=UTF8&qid=1523495279&sr=8-1-fkmr2&keywords=Fun+Express+Spiked+Bracelet.\*

“Angel Spiked Bra” Found online Apr. 10, 2018 at www.razordolldesigns.com. Page dated Oct. 26, 2014. Retrieved from https://www.razordolldesigns.com/products/angel-bra-with-spikes.\*

“Aprilsky Leather Bracelet” Found online Apr. 10, 2018 at www.amazon.com. Page dated Apr. 16, 2016. Retrieved from https://www.amazon.com/Aprilsky-Genuine-Leather-Adjustable-Bracelet/dp/B01ECR1P6O/ref=sr\_1\_1?ie=UTF8&qid=1523495486&sr=8-1&keywords=Aprilsky++bracelet.\*

\* cited by examiner

Primary Examiner — R. Johnson

(74) Attorney, Agent, or Firm — Christopher Mayle; John Houvener; Bold IP, PLLC.

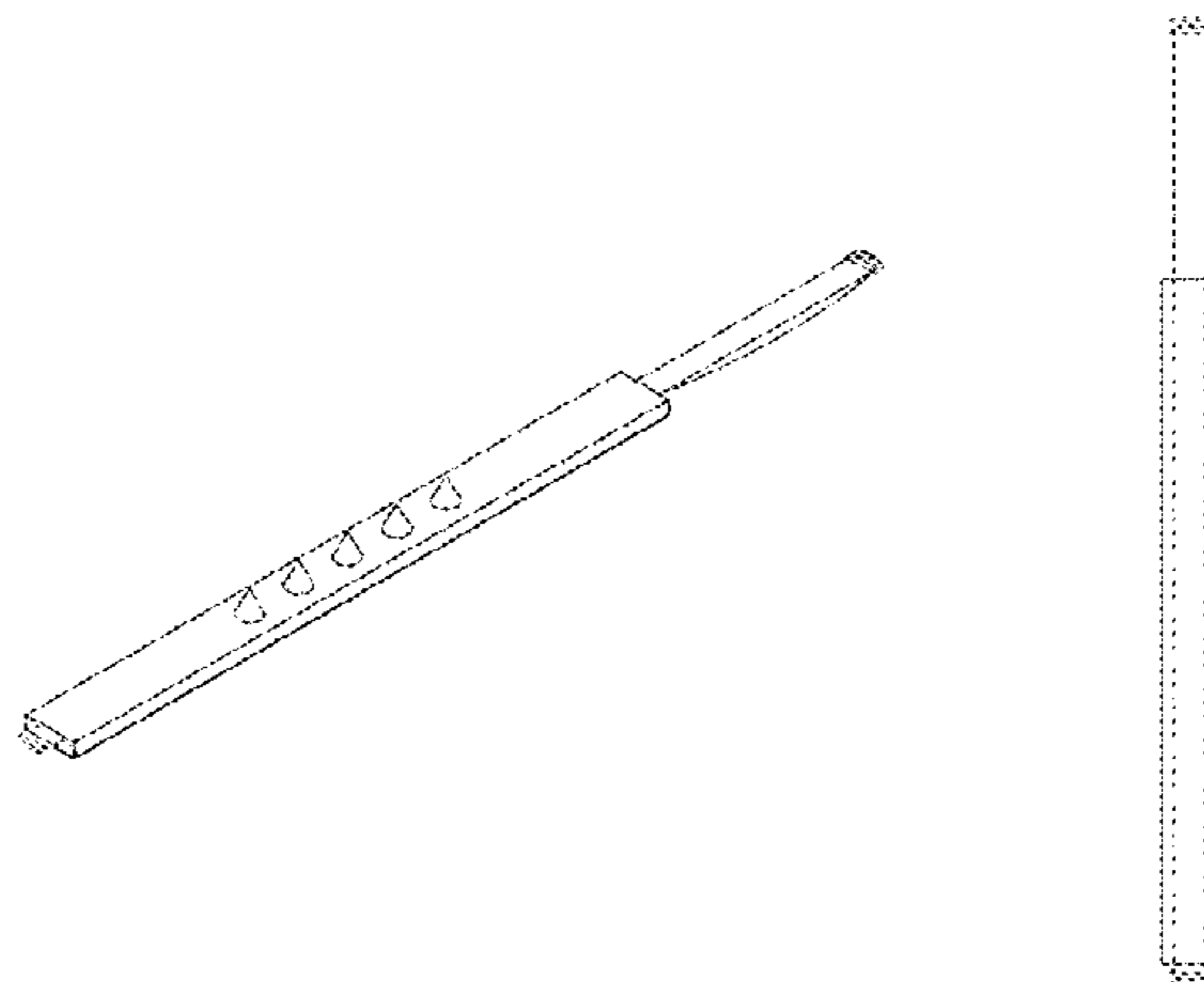
(57) **CLAIM**

The ornamental design for a bra strap, as shown and described.

**DESCRIPTION**

FIG. 1 is a perspective view of a bra strap, showing my new design;  
FIG. 2 is a top plan view thereof;  
FIG. 3 is a bottom plan view thereof;  
FIG. 4 is a right side elevational view thereof;  
FIG. 5 is a left side elevational view thereof; and,  
FIG. 6 is a front elevational view thereof, where as the rear elevational view is a mirror image.  
The broken lines in FIG. 3 represent stitching and form part of the claimed design.

**1 Claim, 6 Drawing Sheets**



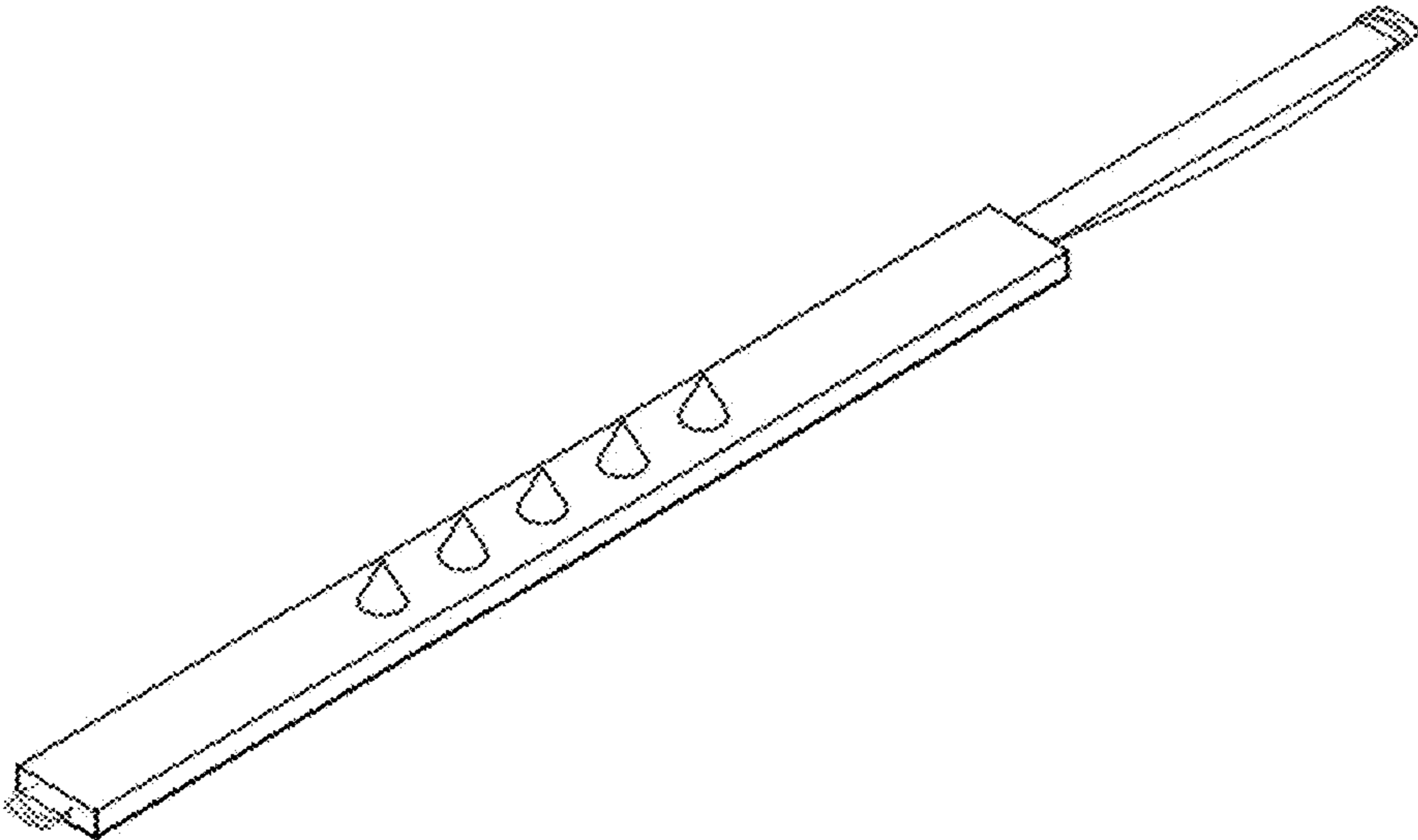


FIG. 1

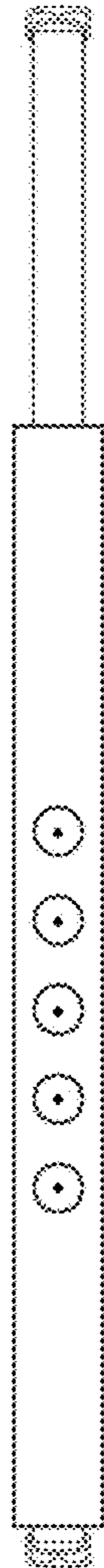


FIG. 2

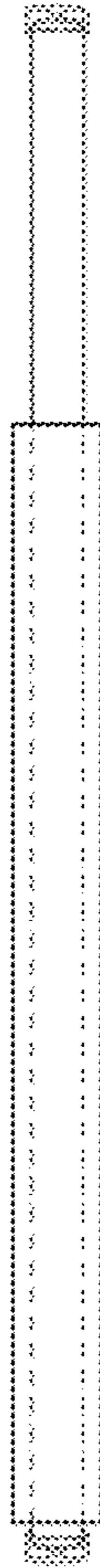


FIG. 3



FIG. 4



FIG. 5



FIG. 6