



US00D833709S

(12) **United States Design Patent** (10) **Patent No.:** **US D833,709 S**  
**Brown** (45) **Date of Patent:** **\*\* Nov. 20, 2018**

(54) **COLLAR**

(71) Applicant: **Katrina Brown**, Columbia, MD (US)

(72) Inventor: **Katrina Brown**, Columbia, MD (US)

(\*\*) Term: **15 Years**

(21) Appl. No.: **29/628,604**

(22) Filed: **Dec. 6, 2017**

(51) **LOC (11) Cl.** ..... **02-01**

(52) **U.S. Cl.**  
USPC ..... **D2/602**

(58) **Field of Classification Search**

USPC ..... D2/500, 501, 502, 503, 504, 505, 506,  
D2/507, 508, 600, 608, 609; D11/3, 12,  
D11/17, 13, 16

CPC ..... A41D 23/00; A41D 2023/002; A41D  
2023/004; A41D 2023/006; A41D  
2023/008; A41D 25/00; A41D 25/001;  
A41D 25/003; A41D 25/02

See application file for complete search history.

(56) **References Cited**

**U.S. PATENT DOCUMENTS**

2,110,544 A \* 3/1938 Dauphin ..... A45D 44/08  
2/50  
2,494,250 A \* 1/1950 Loven ..... A41D 23/00  
2/91

D220,153 S \* 3/1971 Bush ..... D2/603  
D339,545 S \* 9/1993 Davies ..... D11/11  
D490,591 S \* 6/2004 Deming, Jr. .... D2/500  
D595,479 S \* 7/2009 Trelease ..... D2/500  
D632,873 S \* 2/2011 Garibay ..... D2/854  
D750,993 S \* 3/2016 Yatsugi-Kang ..... D11/10  
D773,773 S \* 12/2016 Ethington ..... D2/500  
D776,558 S \* 1/2017 Le Bail ..... D11/16  
D780,006 S \* 2/2017 Marchand ..... D11/13

\* cited by examiner

*Primary Examiner* — Karen S Acker

*Assistant Examiner* — Jasmine Mlinarcik

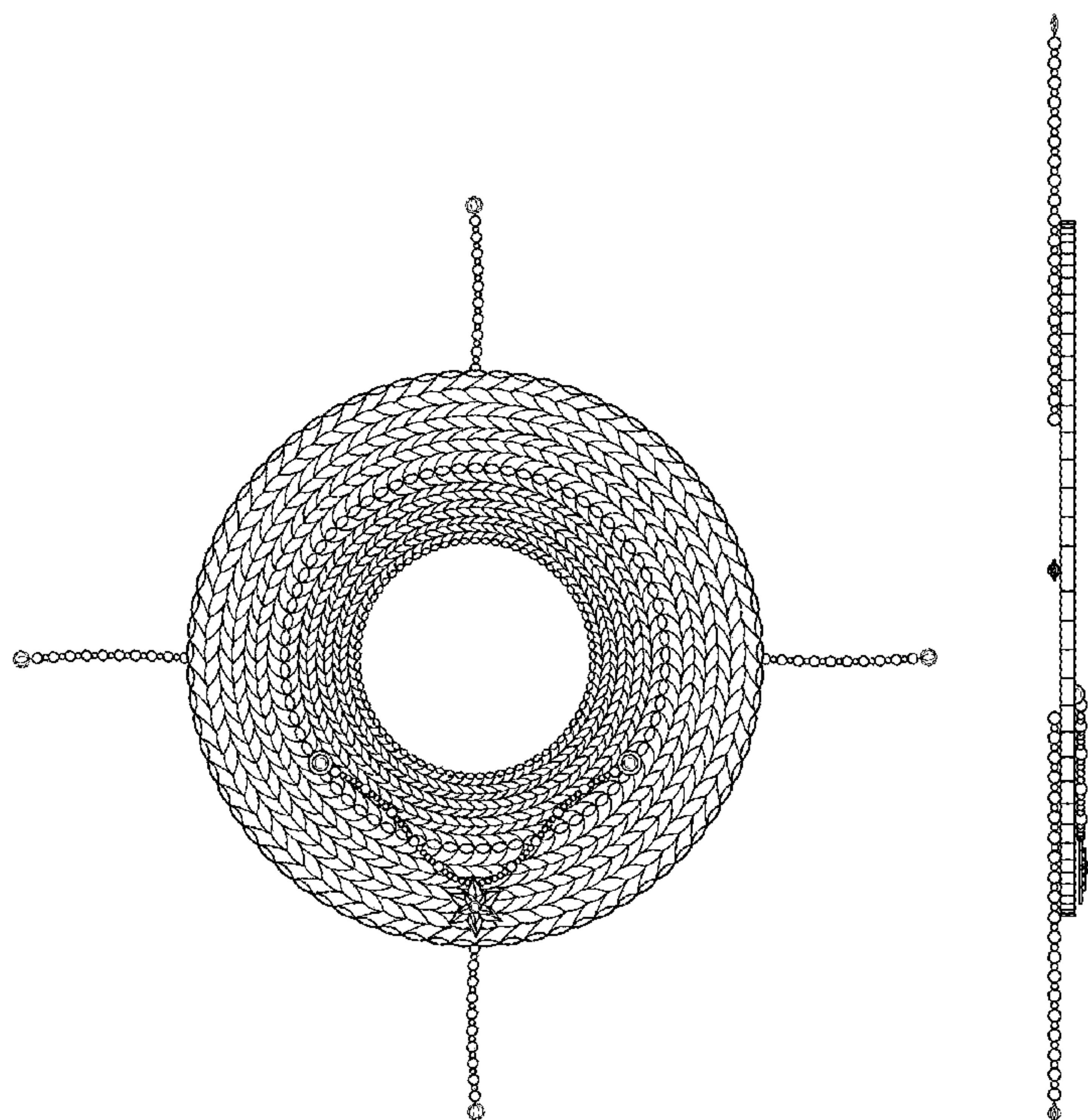
(57) **CLAIM**

The ornamental design for a collar, as shown and described.

**DESCRIPTION**

FIG. 1 is a front view of a collar showing my new design;  
 FIG. 2 is a rear view of the collar;  
 FIG. 3 is a left side view of the collar, a right side view being  
 a mirror image thereof;  
 FIG. 4 is a top view of the collar;  
 FIG. 5 is a bottom view of the collar; and,  
 FIG. 6 is a top front side perspective view of the collar.

**1 Claim, 5 Drawing Sheets**



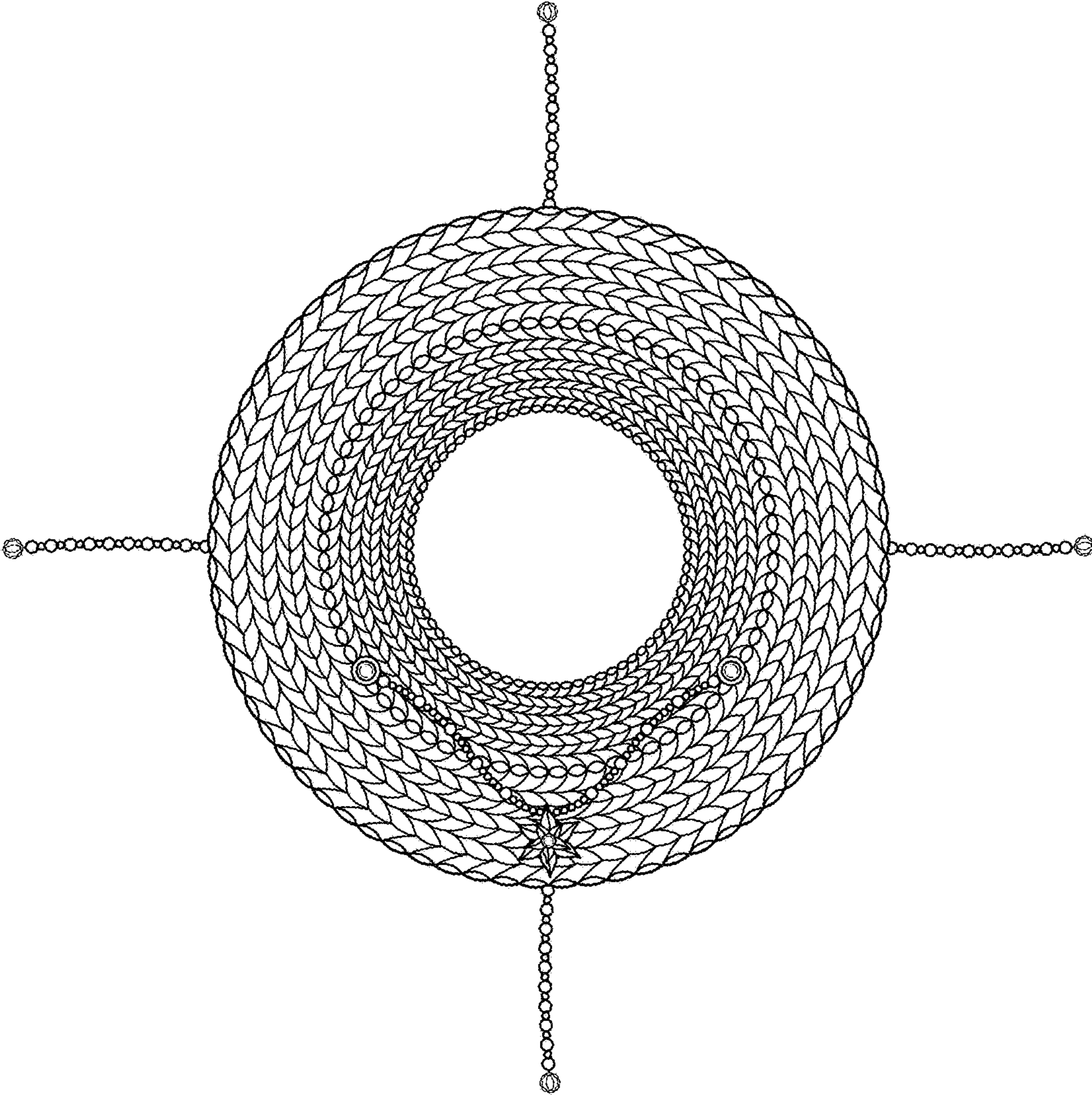


FIG. 1



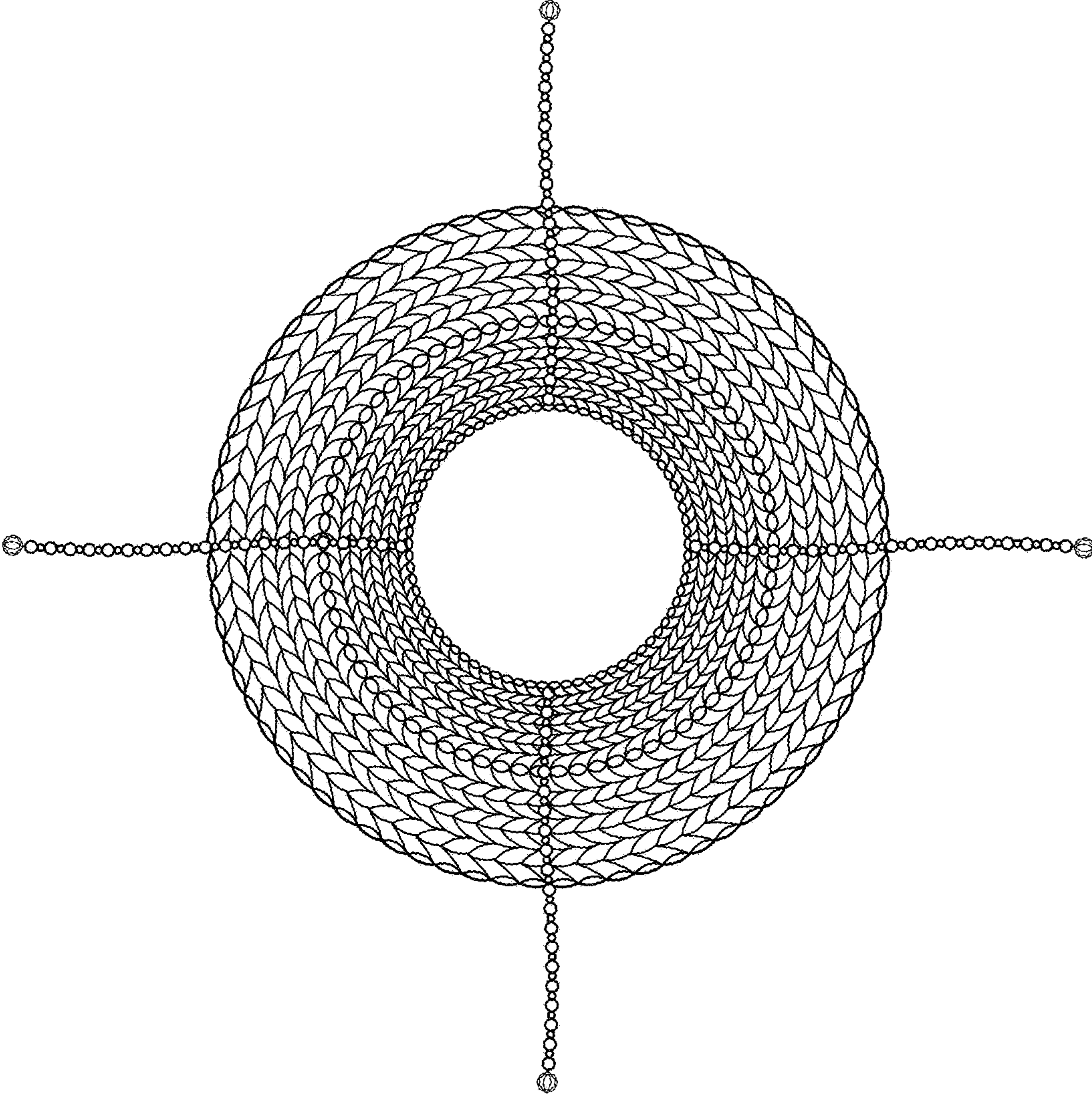


FIG. 2

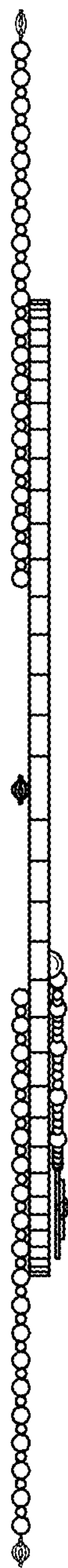


FIG. 3



FIG. 4

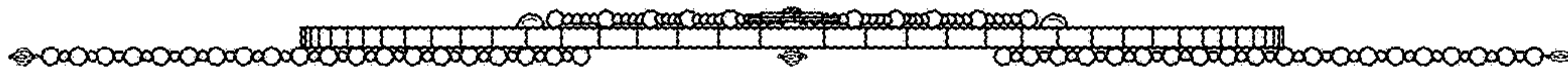


FIG. 5

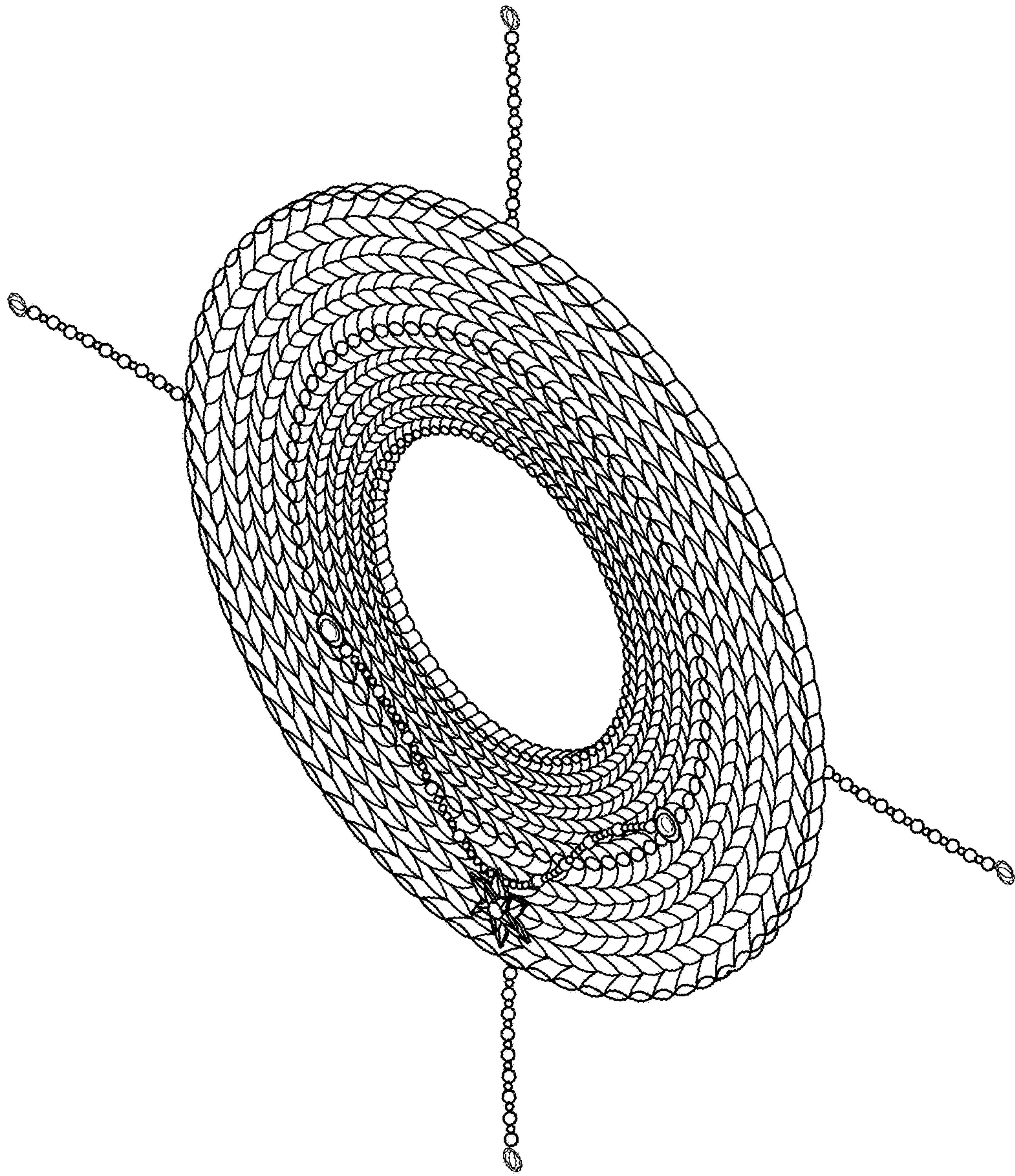


FIG. 6