



US00D833708S

(12) **United States Design Patent**
Keen et al.

(10) **Patent No.:** **US D833,708 S**
(45) **Date of Patent:** **** Nov. 20, 2018**

- (54) **FOOD PRODUCT**
- (71) Applicant: **Mars, Incorporated**, McLean, VA (US)
- (72) Inventors: **Kaitlyn Keen**, Hermitage, TN (US);
Vincent Joseph Falcone, Inverness, IL (US); **Ralf Reiser**, Franklin, TN (US)
- (73) Assignee: **Mars, Incorporated**, McLean, VA (US)
- (**) Term: **15 Years**
- (21) Appl. No.: **29/636,411**
- (22) Filed: **Feb. 8, 2018**

Related U.S. Application Data

- (62) Division of application No. 29/579,727, filed on Oct. 3, 2016.
- (51) **LOC (11) Cl.** **01-01**
- (52) **U.S. Cl.**
USPC **D1/199**
- (58) **Field of Classification Search**
USPC D1/100–130, 199; 426/104, 108, 138,
426/391, 549, 808, 94, 143, 559, 560;
D24/101–104; D28/8.1, 63; D6/601,
D6/604; D32/40, 43; D9/707, 756;
D30/160; D29/108; 128/848, 861
CPC A23G 3/50; A23G 3/54; A23J 3/26; A23L
1/0067
See application file for complete search history.

(56) **References Cited**

U.S. PATENT DOCUMENTS

- D29,311 S 9/1898 Murray
- 2,258,946 A 10/1941 Chadwick et al.
- D170,357 S 9/1953 Hayes
- 2,659,418 A 11/1953 Berman et al.
- D176,877 S 2/1956 Newmark
- D199,470 S 10/1964 Ziff

- D213,675 S 4/1969 Tymowski
- 4,044,762 A * 8/1977 Jacobs A63B 71/085
128/861
- 4,116,202 A 9/1978 Panicci et al.
- 4,955,393 A 9/1990 Adell
- D311,808 S 11/1990 Chvilicek et al.
- 4,977,905 A * 12/1990 Kittelsen A63B 71/085
128/861
- 5,072,927 A 12/1991 Santos
- 5,076,570 A 12/1991 Davis

(Continued)

Primary Examiner — Katie Jane Stofko

(74) *Attorney, Agent, or Firm* — Greenberg Traurig, LLP

(57) **CLAIM**

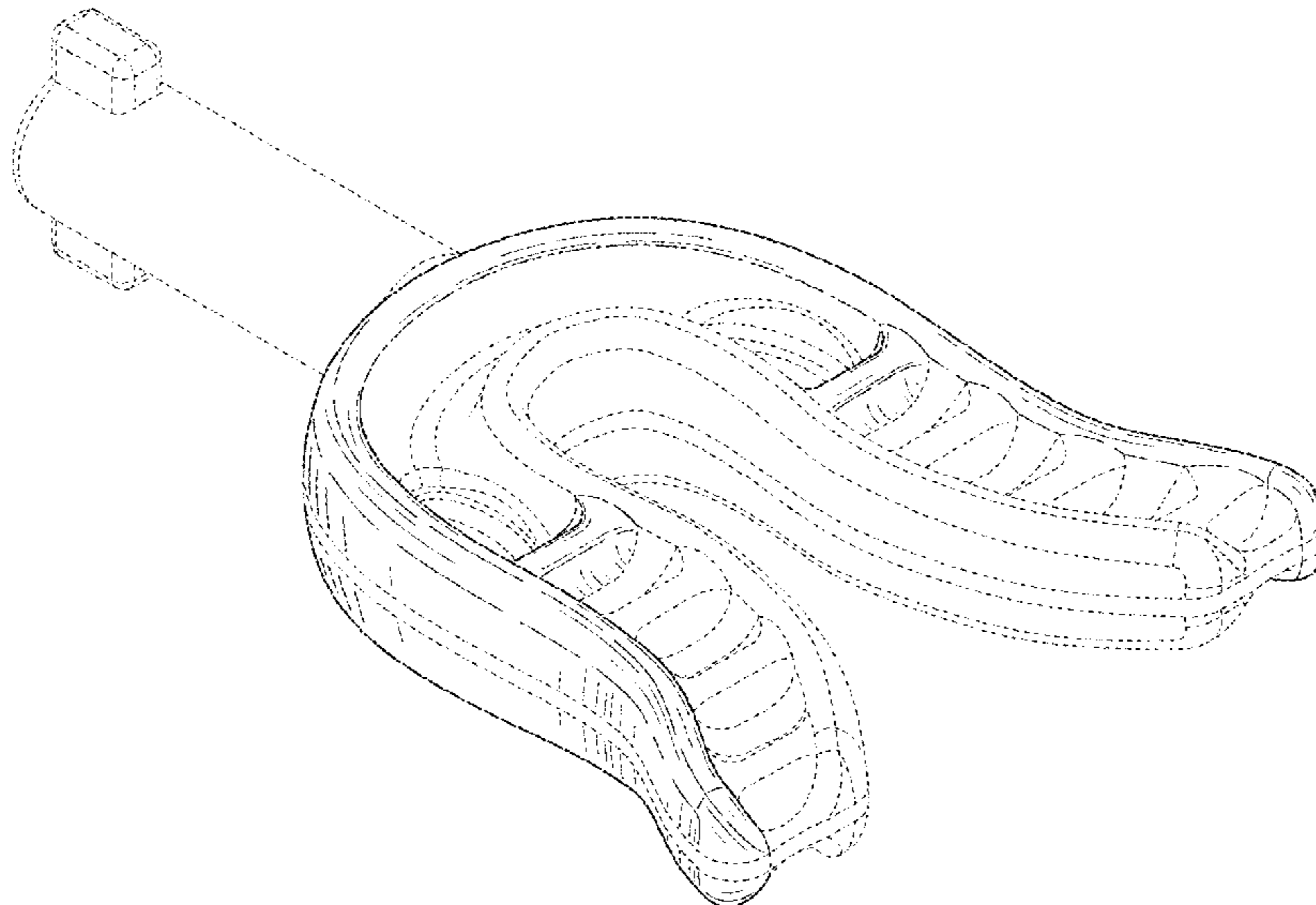
The ornamental design for a food product, as shown and described.

DESCRIPTION

FIG. 1 is a front, right, bottom perspective view of a food product showing our new design;
 FIG. 2 is a front elevation view of the food product shown in FIG. 1;
 FIG. 3 is a rear elevation view of the food product shown in FIG. 1;
 FIG. 4 is a left side elevation view of the food product shown in FIG. 1;
 FIG. 5 is a right side elevation view of the food product shown in FIG. 1;
 FIG. 6 is a top plan view of the food product shown in FIG. 1; and,
 FIG. 7 is a bottom plan view of the food product shown in FIG. 1.

The evenly-spaced broken lines in FIGS. 1-7 illustrate portions of the food product that form no part of the claimed design. The dash-dot-dash broken lines in FIGS. 1, 2, 6 and 7 illustrate the boundary of the claimed design which forms no part thereof.

1 Claim, 5 Drawing Sheets



(56)

References Cited

U.S. PATENT DOCUMENTS

5,117,816 A * 6/1992 Shapiro A61F 5/566
128/200.24

D333,937 S 3/1993 Prosser
D345,422 S 3/1994 Spence, Jr.
D349,786 S 8/1994 Markham
D350,421 S 9/1994 Brubaker
D365,151 S 12/1995 Coppels et al.
5,519,918 A 5/1996 Chang et al.
5,540,720 A 7/1996 Ortega et al.
D382,643 S 8/1997 Cummings
5,720,302 A * 2/1998 Belfer A61F 5/566
128/848

D397,536 S 9/1998 Rodriguez, Jr.
5,921,241 A * 7/1999 Belfer A61F 5/566
128/848

D413,751 S 9/1999 Alyea
D420,931 S 2/2000 Philipson et al.
D427,745 S 7/2000 Jones
D429,057 S 8/2000 Wong
6,447,536 B1 9/2002 Hinshaw
D466,176 S 11/2002 Peterson et al.
6,484,913 B1 11/2002 Hancock et al.
D489,426 S 5/2004 Oakley et al.
6,793,109 B2 9/2004 Gates et al.
D504,045 S 4/2005 Rediske
D541,481 S * 4/2007 Farrell D29/108
D579,745 S 11/2008 Huang
D588,043 S 3/2009 Hardy
D588,717 S 3/2009 Deuer et al.
D595,857 S * 7/2009 Massad D24/181
D626,494 S 11/2010 Gates et al.

D648,900 S 11/2011 Manzo et al.
D658,813 S 5/2012 Manzo et al.
D677,007 S * 2/2013 Bancroft D29/108
D684,340 S 6/2013 Cox et al.
D688,317 S 8/2013 Soto
D711,307 S 8/2014 Fair et al.
8,925,494 B2 1/2015 Pang et al.
8,935,992 B2 1/2015 Axelrod et al.
D743,108 S 11/2015 Charlton
D747,879 S * 1/2016 Fair D3/318
D749,344 S 2/2016 Belitz et al.
D768,353 S 10/2016 Niehues et al.
9,516,949 B2 12/2016 Harkrider et al.
D778,706 S 2/2017 Atkins
9,622,837 B2 4/2017 Jansheski et al.
9,687,722 B2 6/2017 Kennedy
D793,770 S 8/2017 Krishtul
D795,501 S * 8/2017 Levine D29/108
9,744,014 B2 8/2017 Smith et al.
9,788,526 B2 10/2017 Mann et al.
2004/0113041 A1 6/2004 Hancock et al.
2006/0035545 A1 2/2006 Boley et al.
2008/0201881 A1 8/2008 Dunn et al.
2010/0051038 A1 * 3/2010 Quigless A63B 71/085
128/861
2010/0196837 A1 * 8/2010 Farrell A61C 7/08
433/6
2011/0091833 A1 * 4/2011 Farrell A61C 7/08
433/6
2014/0113032 A1 4/2014 Reiser et al.
2015/0296837 A1 10/2015 Reiser et al.
2016/0100553 A1 4/2016 Heath
2016/0255813 A1 9/2016 Wolfe, Jr. et al.

* cited by examiner

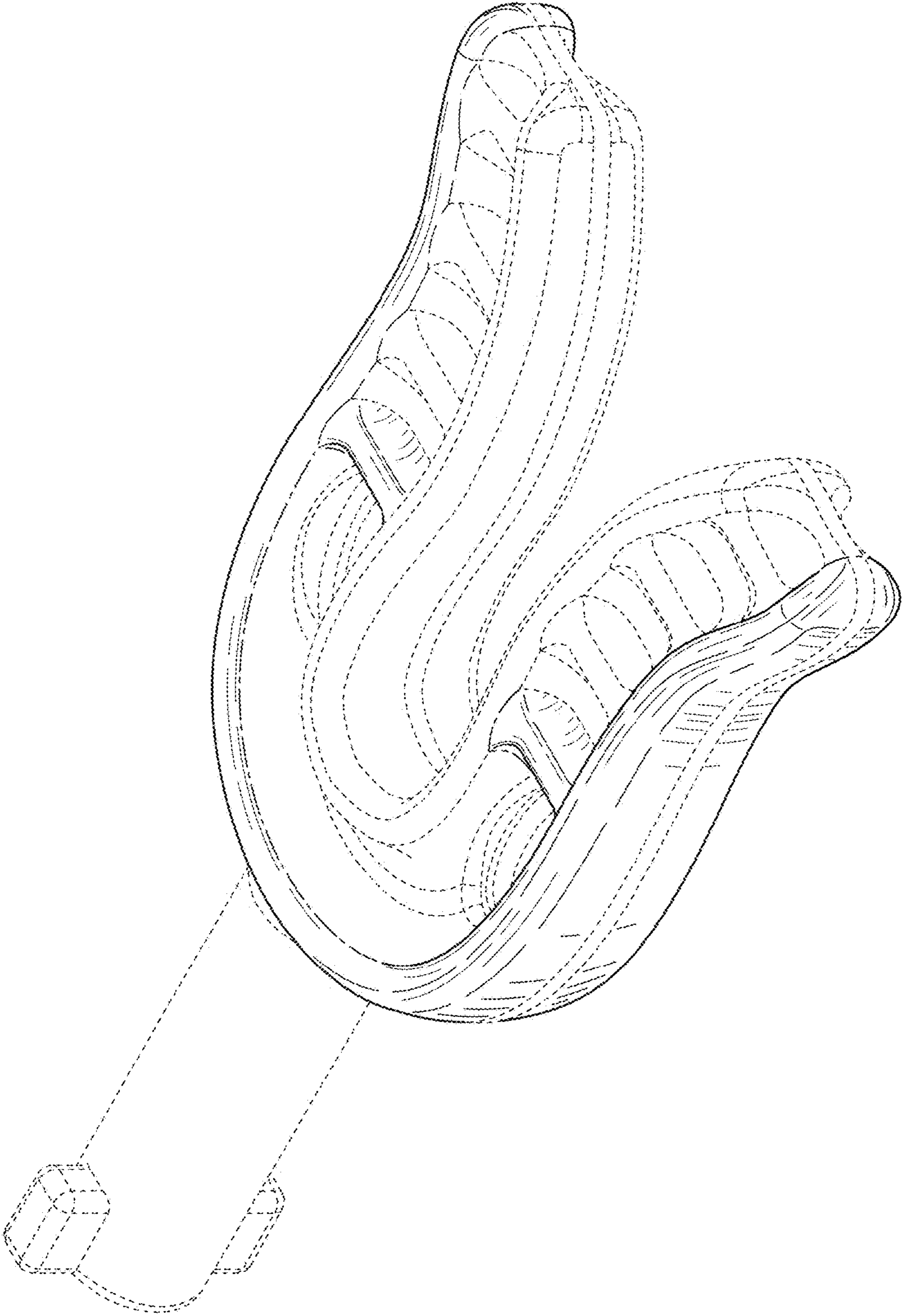


FIG. 1

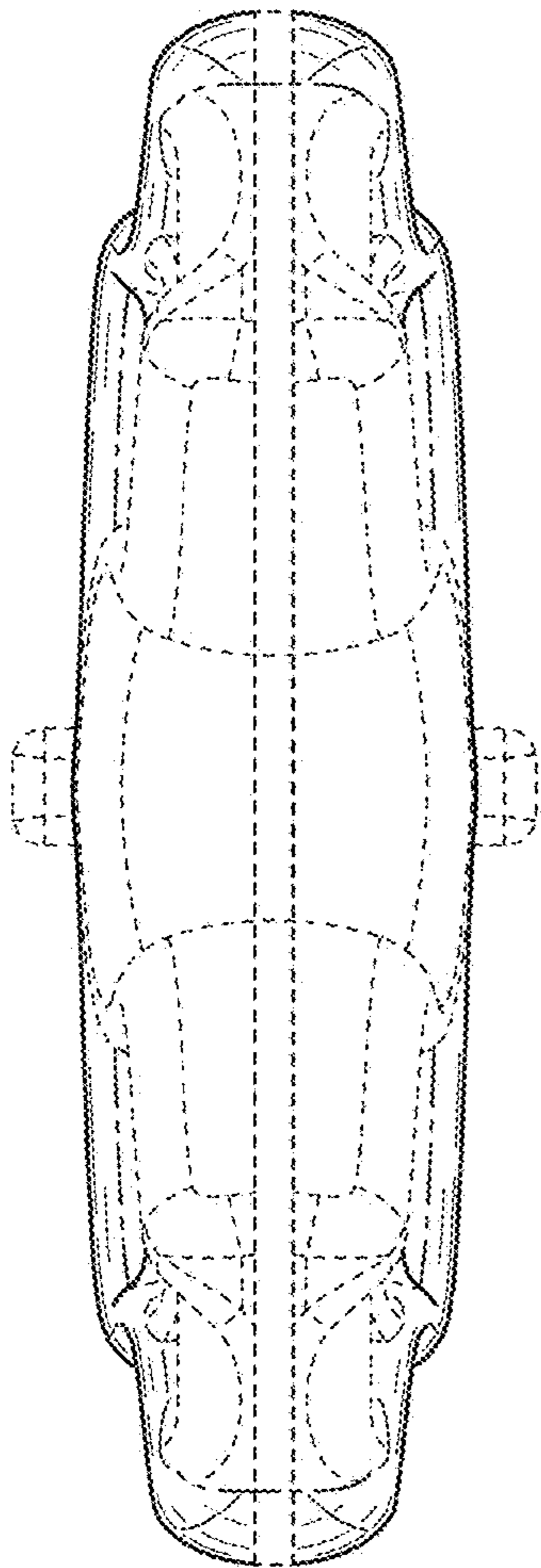


FIG. 2

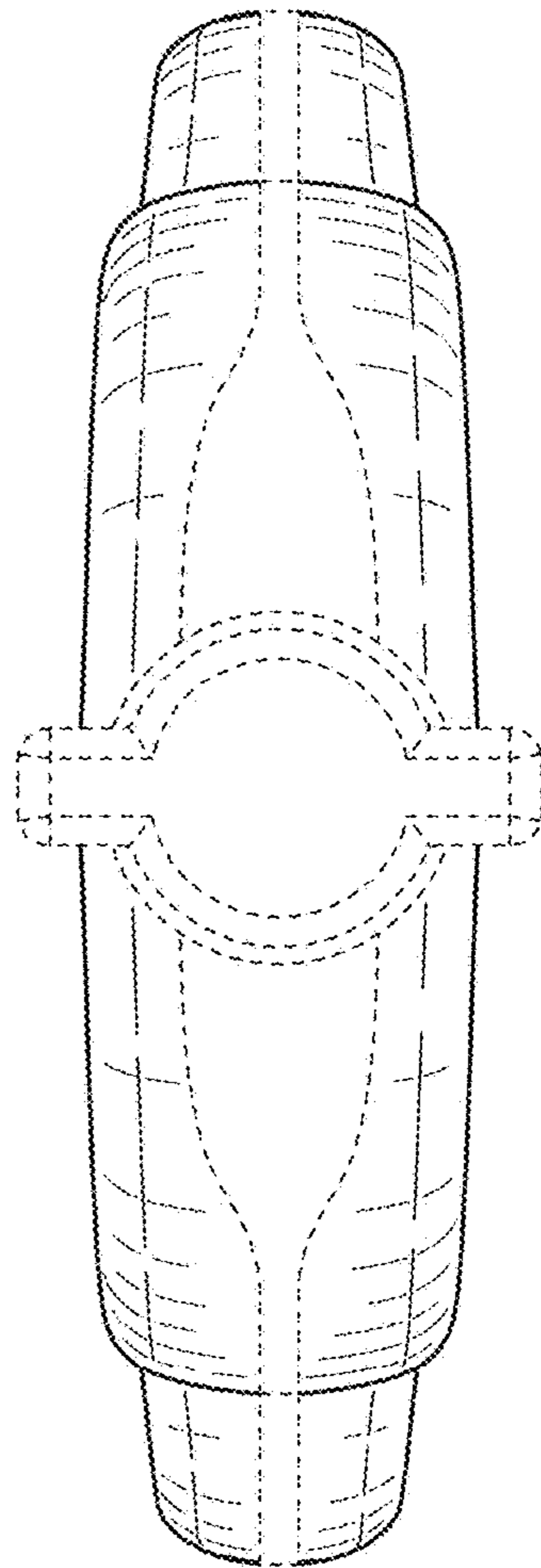


FIG. 3

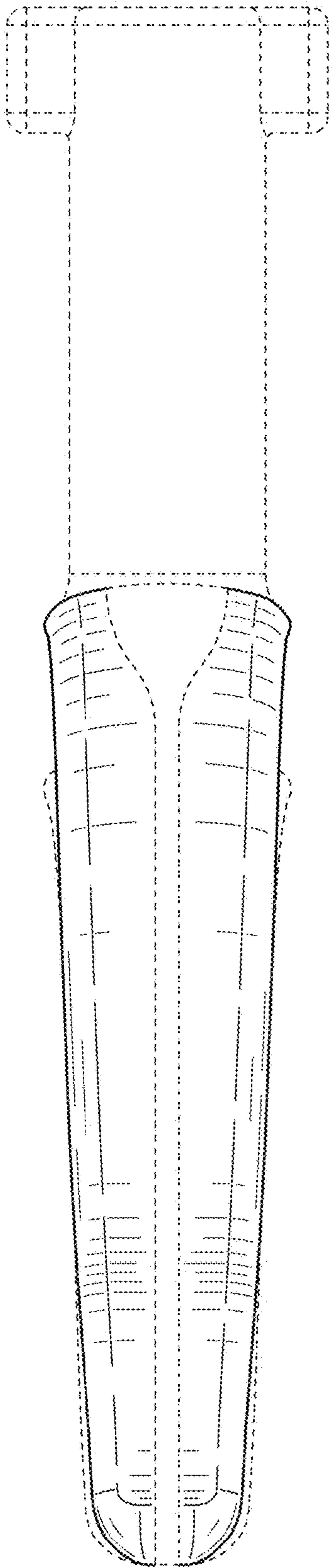


FIG. 4

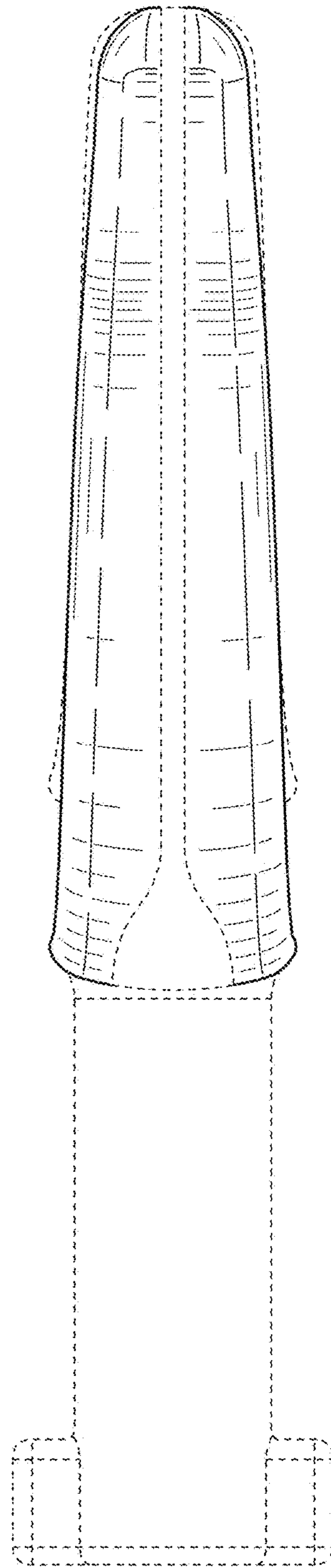


FIG. 5

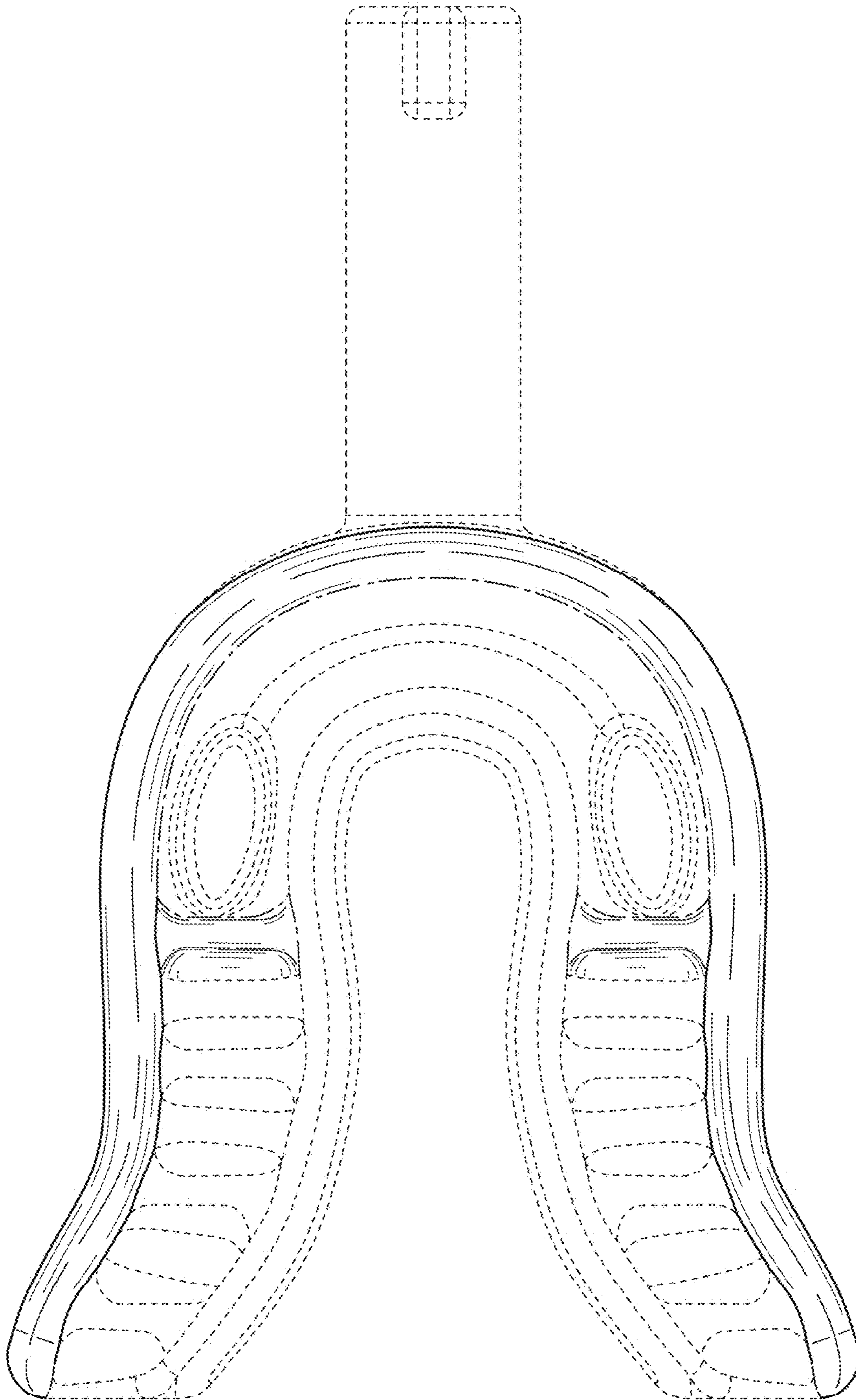


FIG. 6

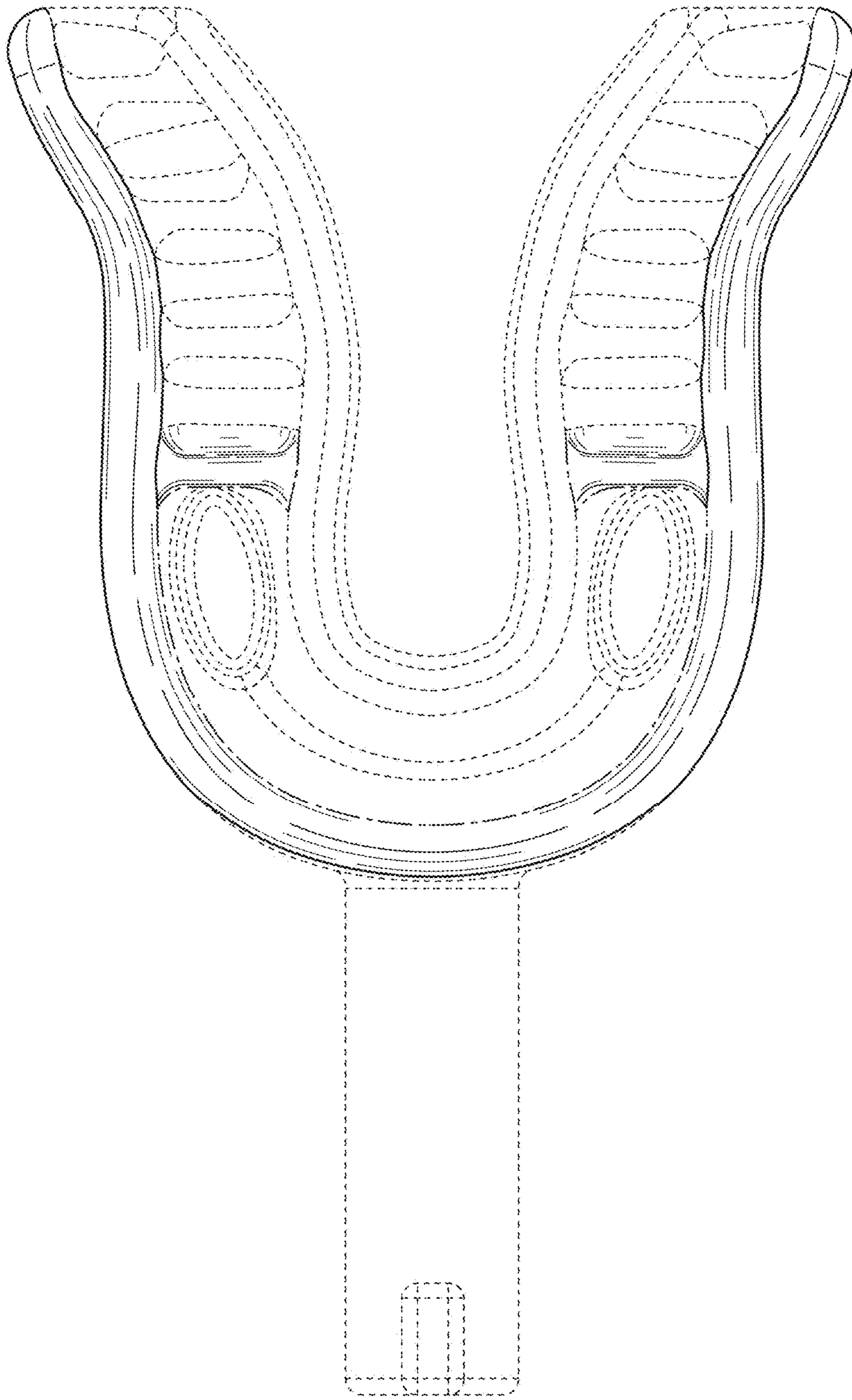


FIG. 7