



US00D833704S

(12) **United States Design Patent**
Kraft et al.

(10) **Patent No.:** **US D833,704 S**

(45) **Date of Patent:** **** Nov. 13, 2018**

(54) **AUTOMATED TELLER MACHINE**

G07F 5/00; G07F 1/00; E05G 7/001;
E05G 1/006; A63H 33/00; A63H 33/005

(71) Applicant: **Diebold Nixdorf, Incorporated**, North Canton, OH (US)

See application file for complete search history.

(72) Inventors: **Dave Kraft**, North Canton, OH (US);
Donald Nelson, Akron, OH (US);
George Niemoeller, Canal Fulton, OH (US);
Jack Stayer, North Canton, OH (US);
Todd Christian, Dalton, OH (US);
John Apgar, North Canton, OH (US)

(56) **References Cited**

U.S. PATENT DOCUMENTS

5,229,757	A *	7/1993	Takamiya	F16M 11/10 235/145 R
D347,930	S *	6/1994	Hunter	D99/28
D388,229	S *	12/1997	Couch	D18/4.6
5,721,420	A *	2/1998	May	G06K 13/08 235/379
D395,129	S *	6/1998	Johnson	D14/130
D415,330	S *	10/1999	King	D14/900
D419,277	S *	1/2000	Ishii	D99/28
D427,742	S *	7/2000	McCormack	D99/28
D429,401	S *	8/2000	Sato	D99/28
D430,379	S *	8/2000	Massey	D99/28
D431,708	S *	10/2000	McCormack	D14/900

(Continued)

(73) Assignee: **Diebold Nixdorf, Incorporated**, North Canton, OH (US)

Primary Examiner — Elizabeth J Oswecki

(**) Term: **15 Years**

(74) *Attorney, Agent, or Firm* — Black, McCuskey, Souers & Arbaugh, LPA

(21) Appl. No.: **29/611,355**

(22) Filed: **Jul. 20, 2017**

(51) **LOC (11) Cl.** **99-00**

(52) **U.S. Cl.**
USPC **D99/28**

(58) **Field of Classification Search**
USPC D99/28, 34, 35, 36, 43, 99;
D14/300-302, 305, 307, 900-902;
D18/3.1-3.3, 4.1-4.6, 12.1-12.3;
D21/324, 325, 329, 369, 370; 101/66;
109/1 R, 1 V, 2, 23, 24.1, 25, 58, 58.5,
109/66; 446/8-13; 705/16, 17, 18, 42,
705/43, 44, 45; 235/51, 379, 380, 381,
235/382, 382.5, 386; 206/0.8, 0.81,
206/0.815, 0.82, 0.84

CPC .. G06Q 20/10; G06Q 20/108; G06Q 20/1085;
G06Q 20/187; G07D 1/00; G07D 1/02;
G07D 1/04; G07D 1/06; G07D 11/00;
G07D 9/002; G07D 9/04; G07F 19/20;
G07F 19/201; G07F 19/202; G07F
19/203; G07F 19/204; G07F 19/105;
G07F 19/21; G07F 19/00; G07F 7/04;

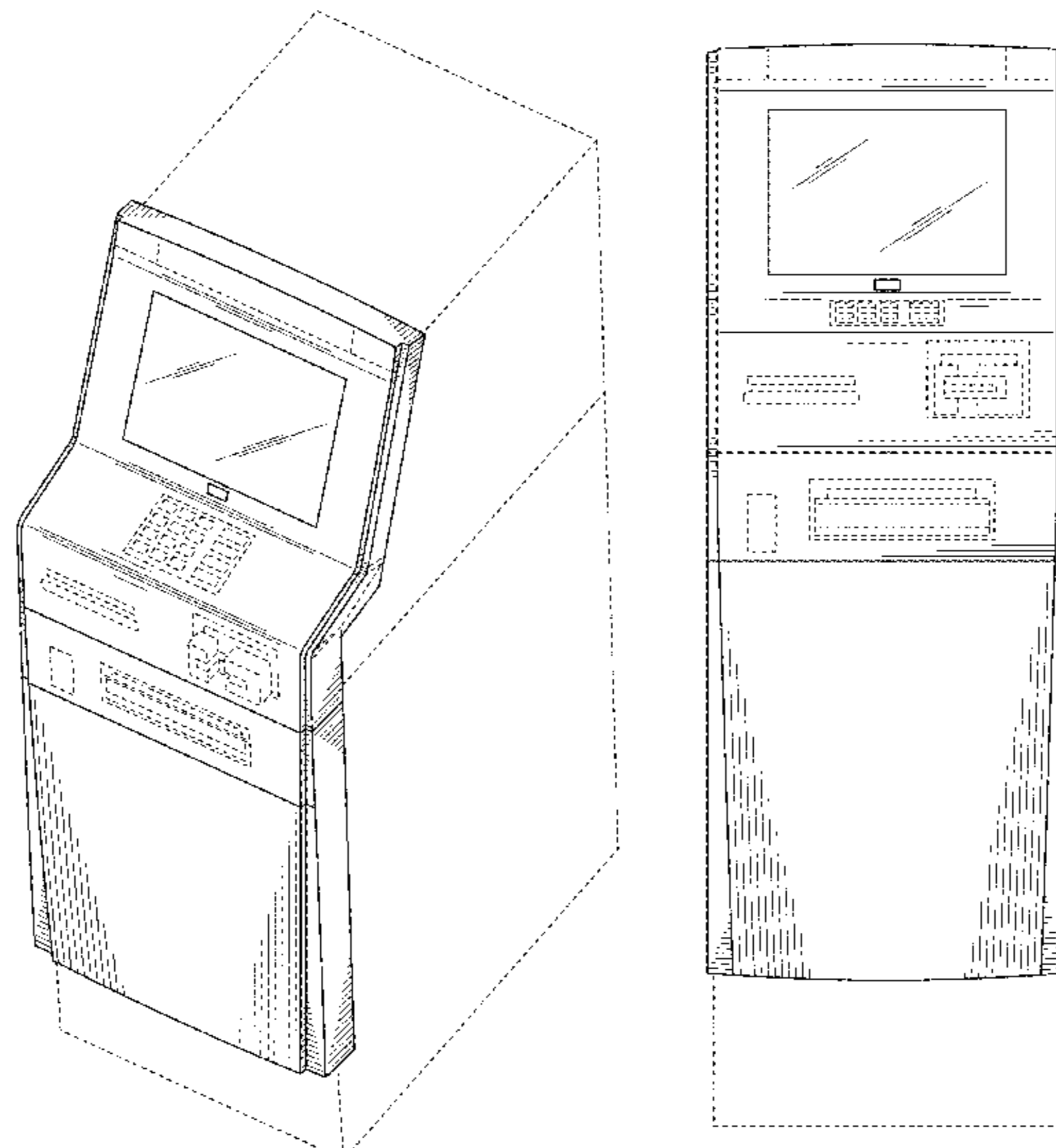
(57) **CLAIM**

The ornamental design for an automatic teller machine, as shown and described.

DESCRIPTION

FIG. 1 is a perspective view of an automated teller machine showing our new design;
FIG. 2 is a front view thereof;
FIG. 3 is a rear view thereof;
FIG. 4 is a side view thereof, the opposite side view being a mirror image;
FIG. 5 is a top view thereof; and,
FIG. 6 is a bottom view thereof.
The purpose of broken lines in the figures is to illustrate boundaries that form no part of the claimed design.

1 Claim, 5 Drawing Sheets



(56)

References Cited

U.S. PATENT DOCUMENTS

7,191,948 B1 *	3/2007	Baitz	A63F 3/064	D756,064 S *	5/2016	Budde	D99/28
				235/435	D757,389 S *	5/2016	Lee	D99/28
D618,875 S *	6/2010	Tougo	D18/3.3	D769,569 S *	10/2016	Kennedy	D99/28
D626,544 S *	11/2010	Bleck	D14/307	D769,571 S *	10/2016	Lee	D99/28
D626,545 S *	11/2010	Bleck	D14/307	D769,572 S *	10/2016	Park	D99/28
8,365,868 B2 *	2/2013	Johnson	A47F 10/02	D779,148 S *	2/2017	Lee	D99/28
				186/52	D779,770 S *	2/2017	Park	D99/28
D689,665 S *	9/2013	Pollmann	D99/28	D782,147 S *	3/2017	Lee	D99/28
D707,012 S *	6/2014	Swaine	D99/28	D782,148 S *	3/2017	Rohan	D99/28
D708,814 S *	7/2014	Lee	D99/28	D792,049 S *	7/2017	Oh	D99/28
D709,264 S *	7/2014	Lee	D99/28	D803,507 S *	11/2017	Park	D99/28
D721,215 S *	1/2015	Lee	D99/28	2004/0262379 A1 *	12/2004	Gomes	G06Q 30/06
D732,263 S *	6/2015	Budde	D99/28					235/379
D749,290 S *	2/2016	Pollmann	D99/28	2008/0296365 A1 *	12/2008	Schliebe	G01G 19/52
									235/379
					2010/0161489 A1 *	6/2010	Goodall	G06Q 20/042
									705/45

* cited by examiner

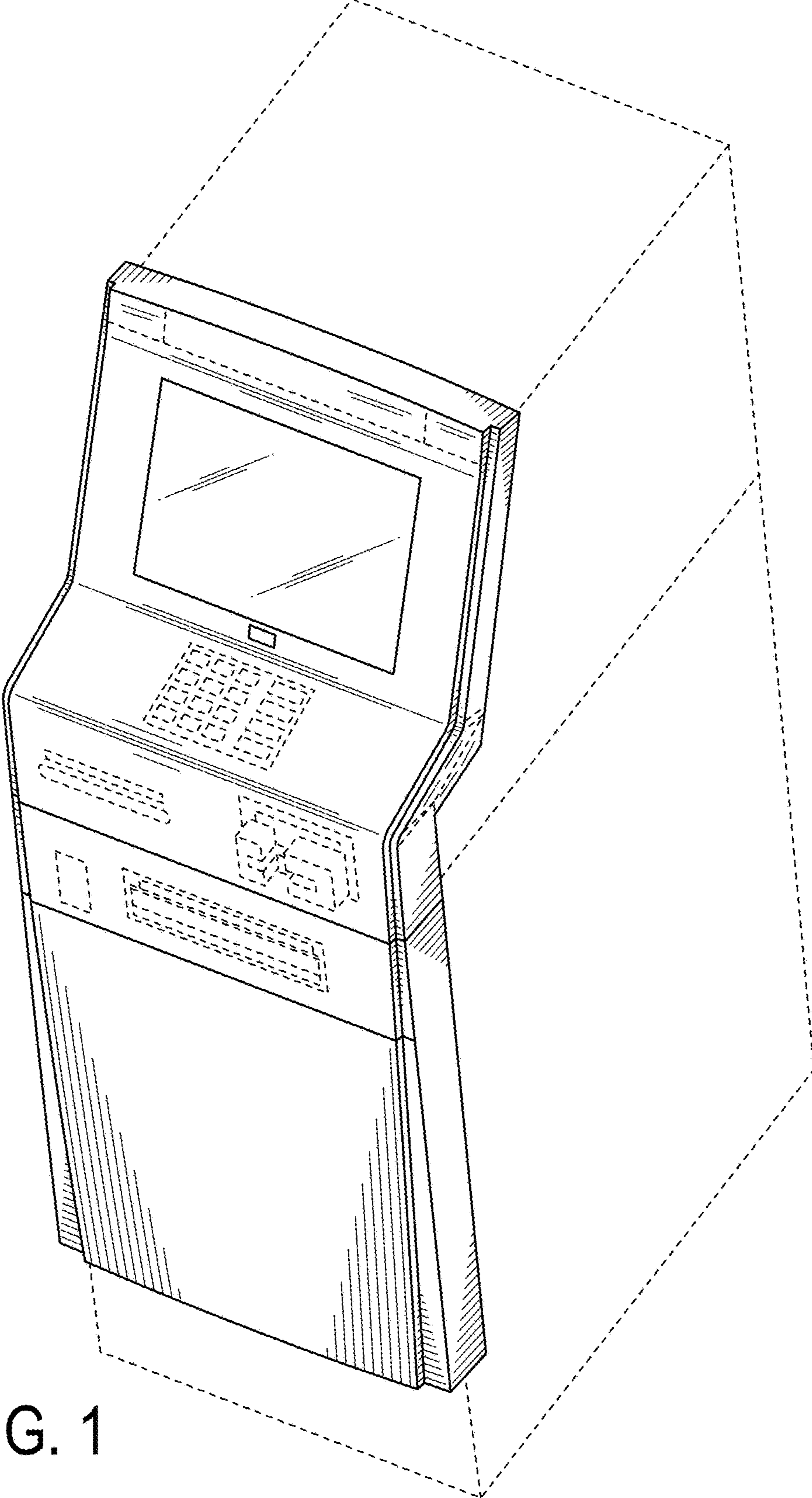


FIG. 1

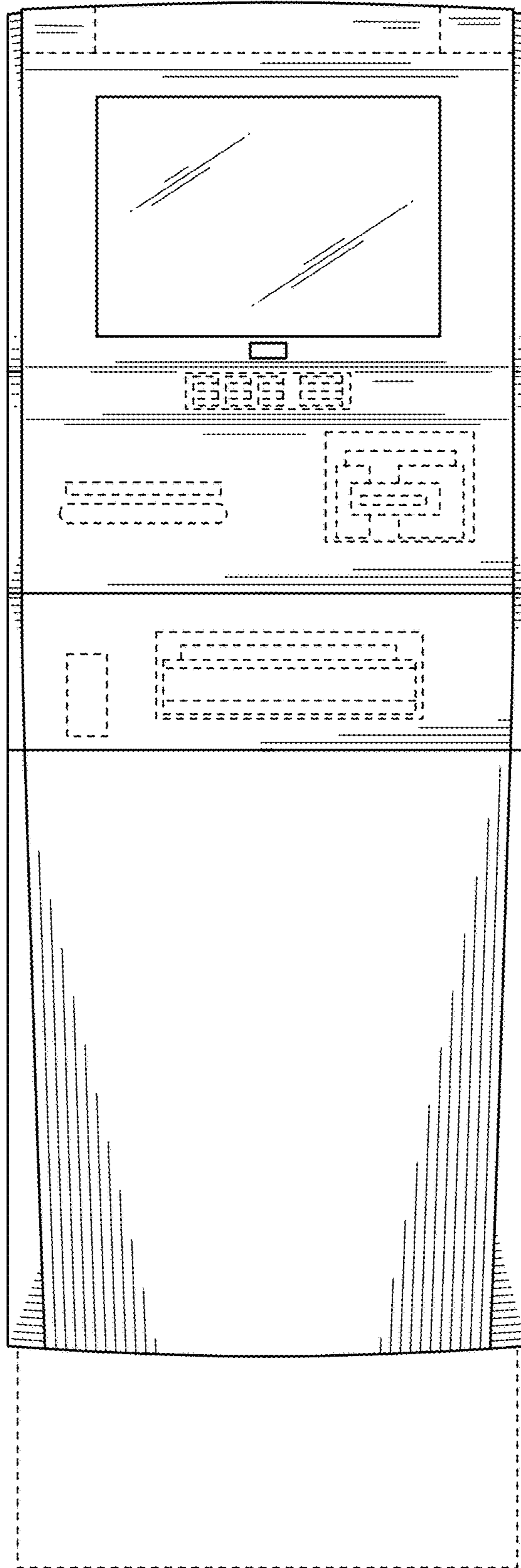


FIG. 2

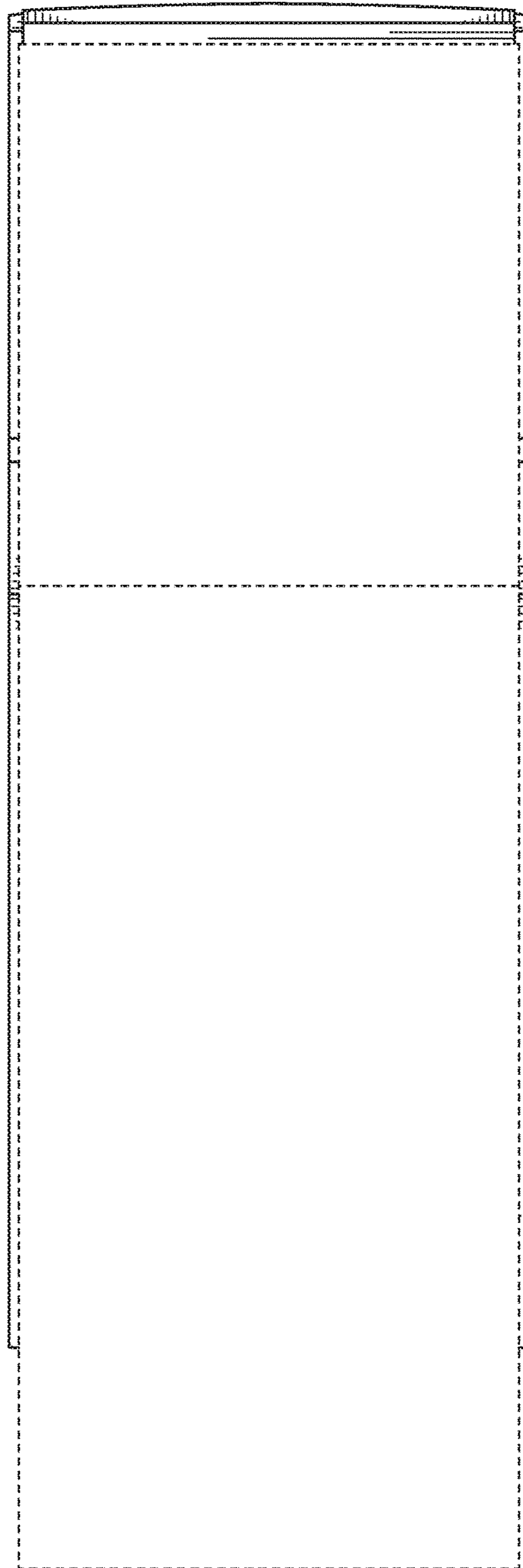


FIG. 3

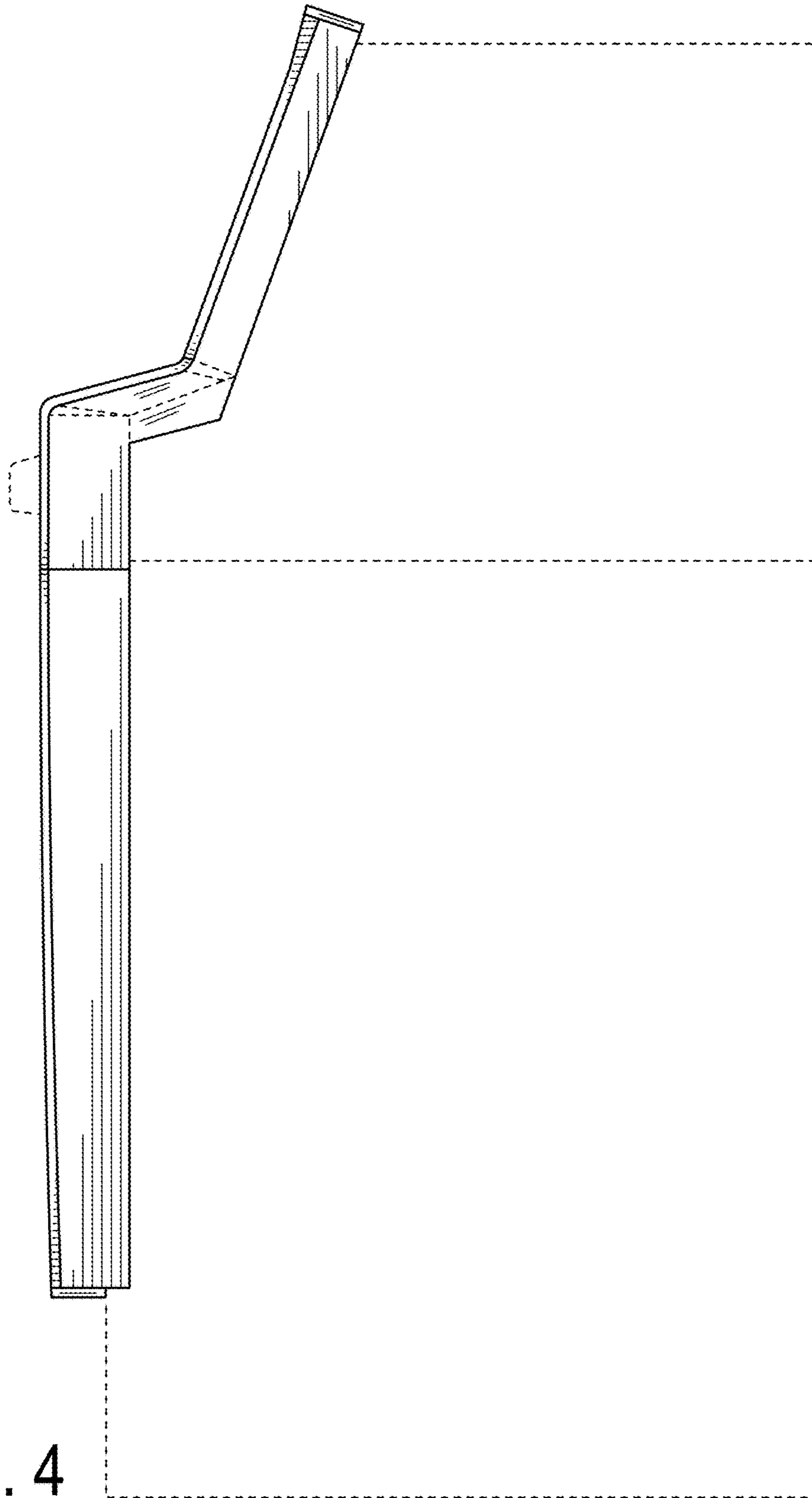


FIG. 4

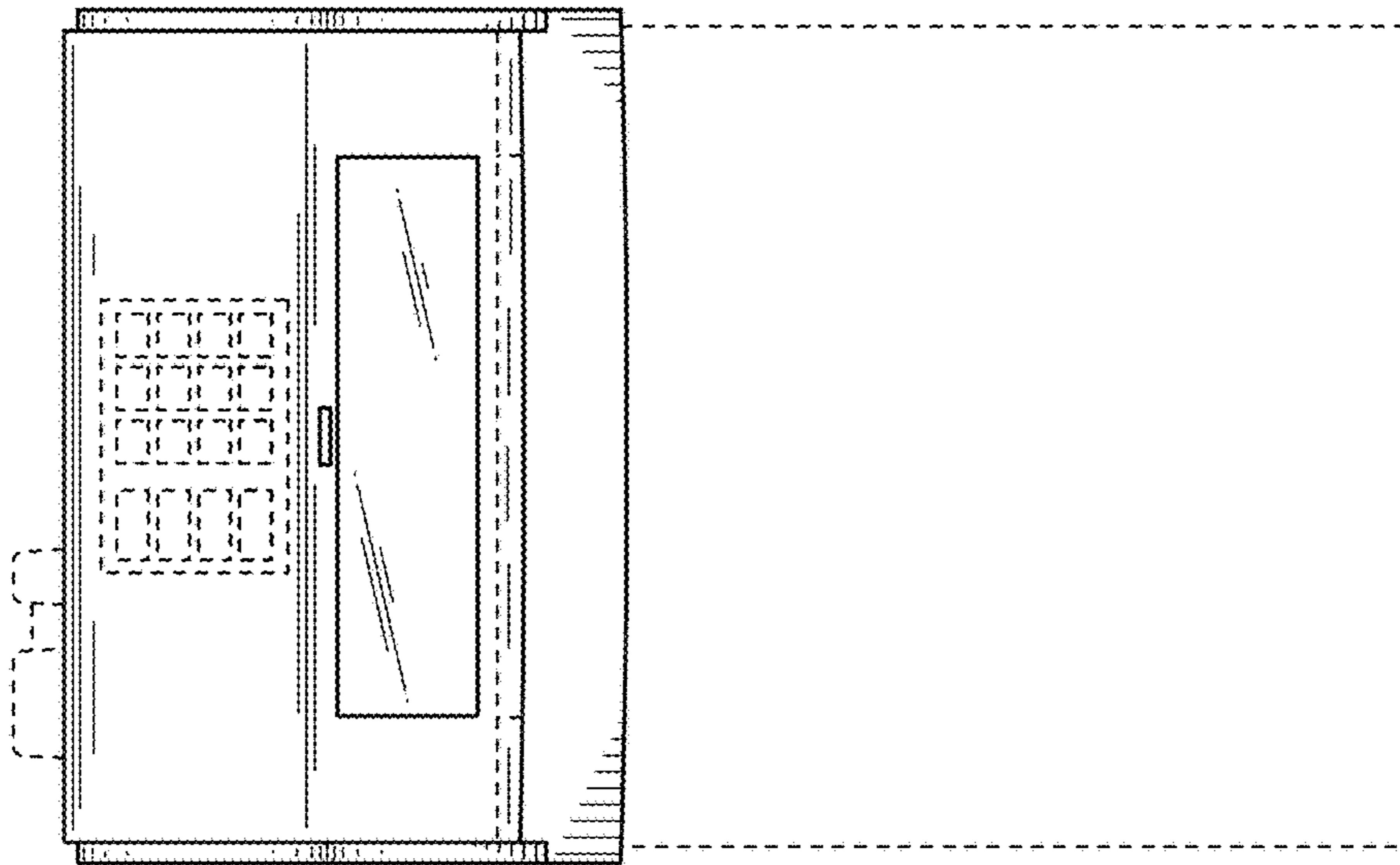


FIG. 5

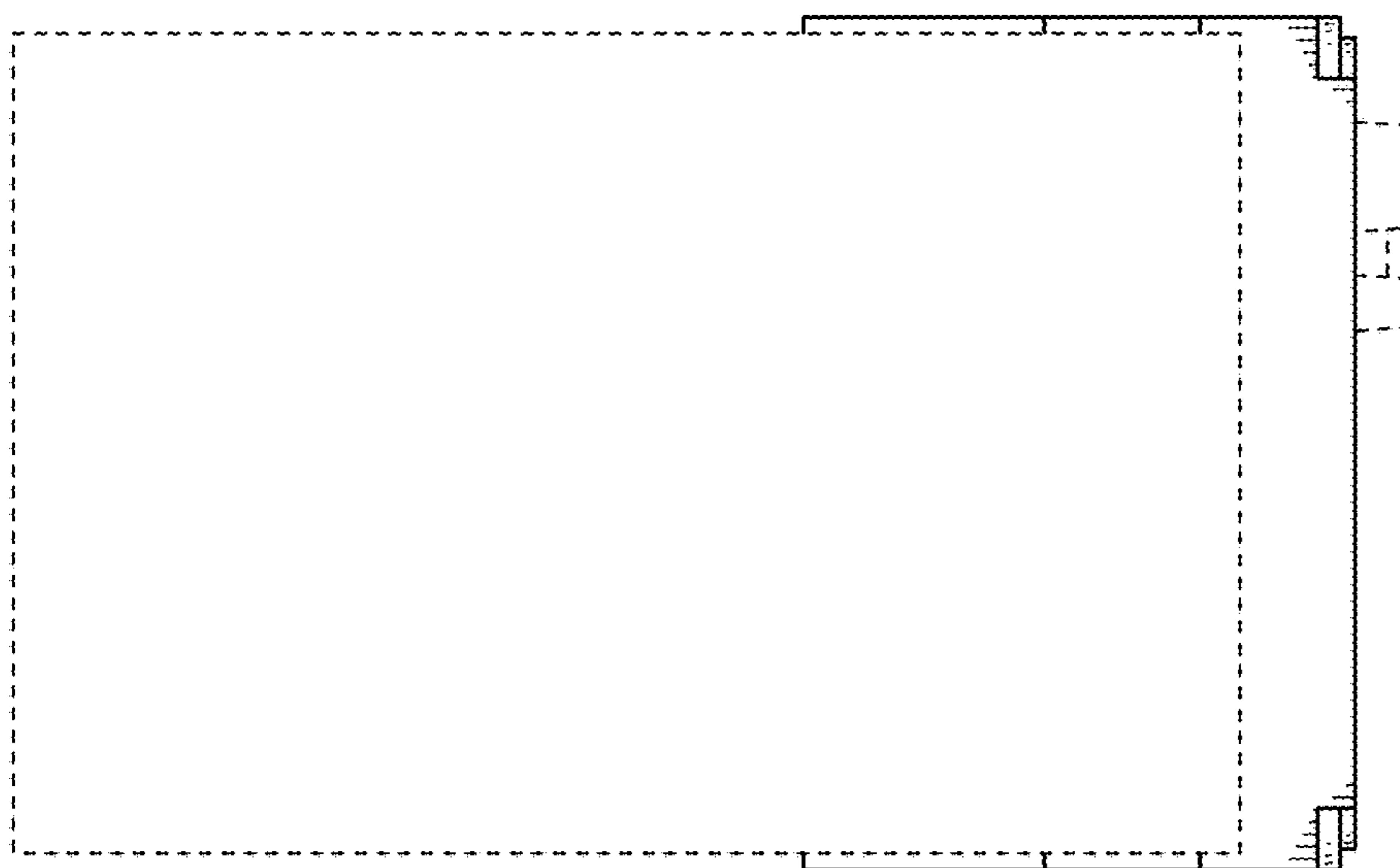


FIG. 6