



US00D833703S

(12) **United States Design Patent**
Frame

(10) **Patent No.:** **US D833,703 S**

(45) **Date of Patent:** **** Nov. 13, 2018**

(54) **FOOT GUARD FOR LIFT**

8,403,615 B1 * 3/2013 McGlenn B60P 1/4457
296/24.43

(71) Applicant: **Ballymore Company, Inc.**, Parkesburg,
PA (US)

D704,914 S * 5/2014 Campbell D34/28

D733,390 S * 6/2015 Wu D34/34

9,327,953 B2 * 5/2016 Sayles B66F 11/04

2017/0252234 A1 * 9/2017 Budd, II A61G 3/062

2017/0267507 A1 * 9/2017 Frame B66F 17/006

(72) Inventor: **William F. Frame**, Coatesville, PA
(US)

* cited by examiner

(73) Assignee: **BALLYMORE COMPANY, INC.**,
Coatesville, PA (US)

Primary Examiner — Cynthia Ramirez

Assistant Examiner — Gino Colan

(**) Term: **15 Years**

(74) *Attorney, Agent, or Firm* — Lauletta Birnbaum, LLC

(21) Appl. No.: **29/596,490**

(57) **CLAIM**

(22) Filed: **Mar. 8, 2017**

The ornamental design for a foot guard for a lift, as shown
and described.

(51) **LOC (11) Cl.** **12-05**

(52) **U.S. Cl.**
USPC **D34/35**

DESCRIPTION

(58) **Field of Classification Search**

USPC D34/28, 33, 34, 35, 31, 32; 182/141,
182/144, 11, 143, 222, 230, 37, 69.6;
187/222, 240, 269, 377, 317, 901;
414/546, 495, 540; 296/24.43

FIG. 1 is a perspective view of a foot guard for a lift in
accordance with our new design;

FIG. 2 is a top plan view thereof;

FIG. 3 is a bottom plan view thereof;

FIG. 4 is a left side elevational view thereof;

FIG. 5 is a right side elevational view thereof;

FIG. 6 is a front elevational view thereof;

FIG. 7 is a rear elevational view thereof; and,

FIG. 8 is another perspective view thereof shown attached to
a lift.

CPC .. B66F 17/006; B60R 19/54; B60R 2019/002
See application file for complete search history.

The broken line shown in the figures are for the purpose of
illustrating environment and form no part of the claimed
design.

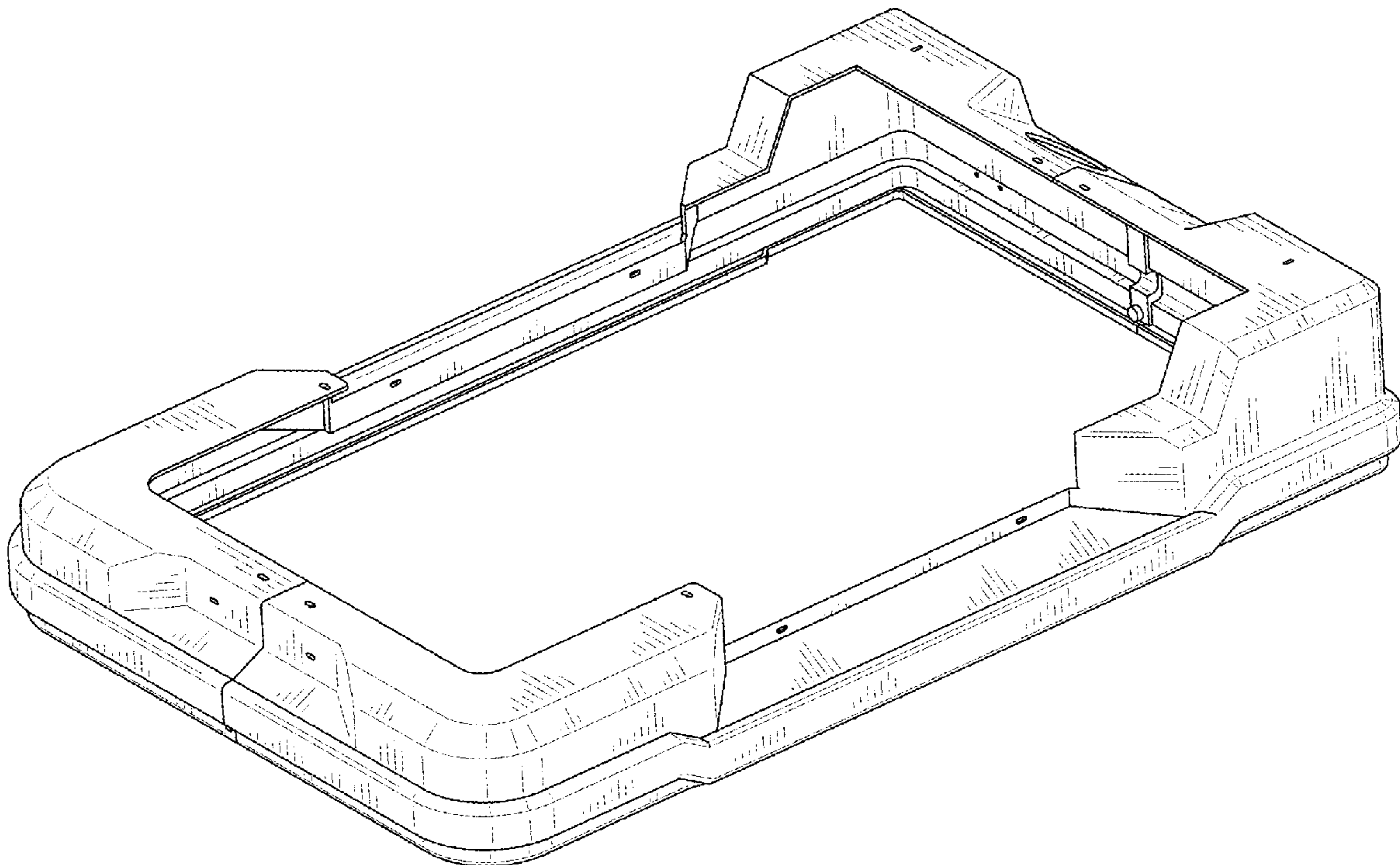
(56) **References Cited**

U.S. PATENT DOCUMENTS

4,452,009 A * 6/1984 Baumeler B66B 13/26
187/317

5,040,936 A * 8/1991 Rhea A61G 3/06
187/901

1 Claim, 5 Drawing Sheets



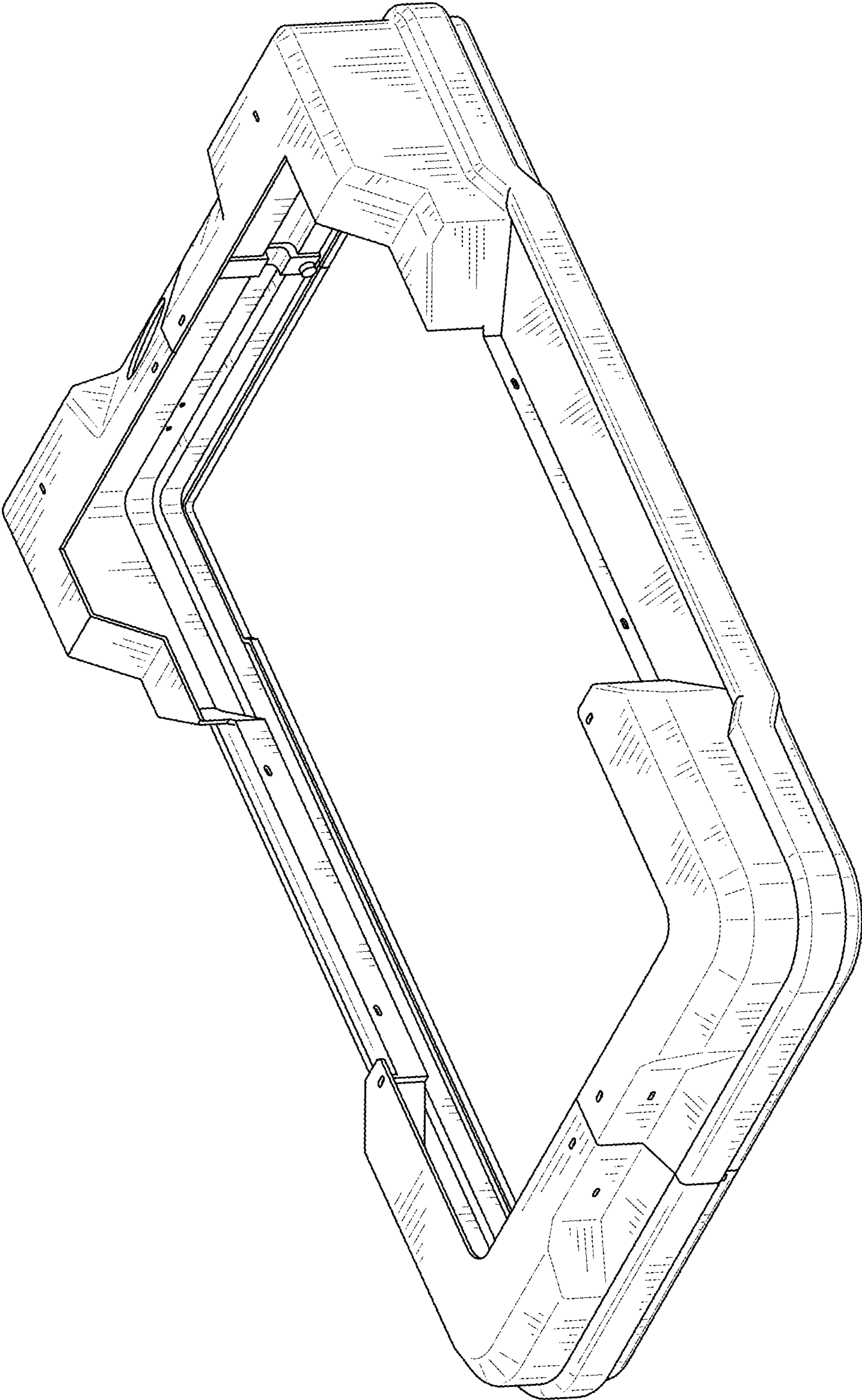


FIG. 1

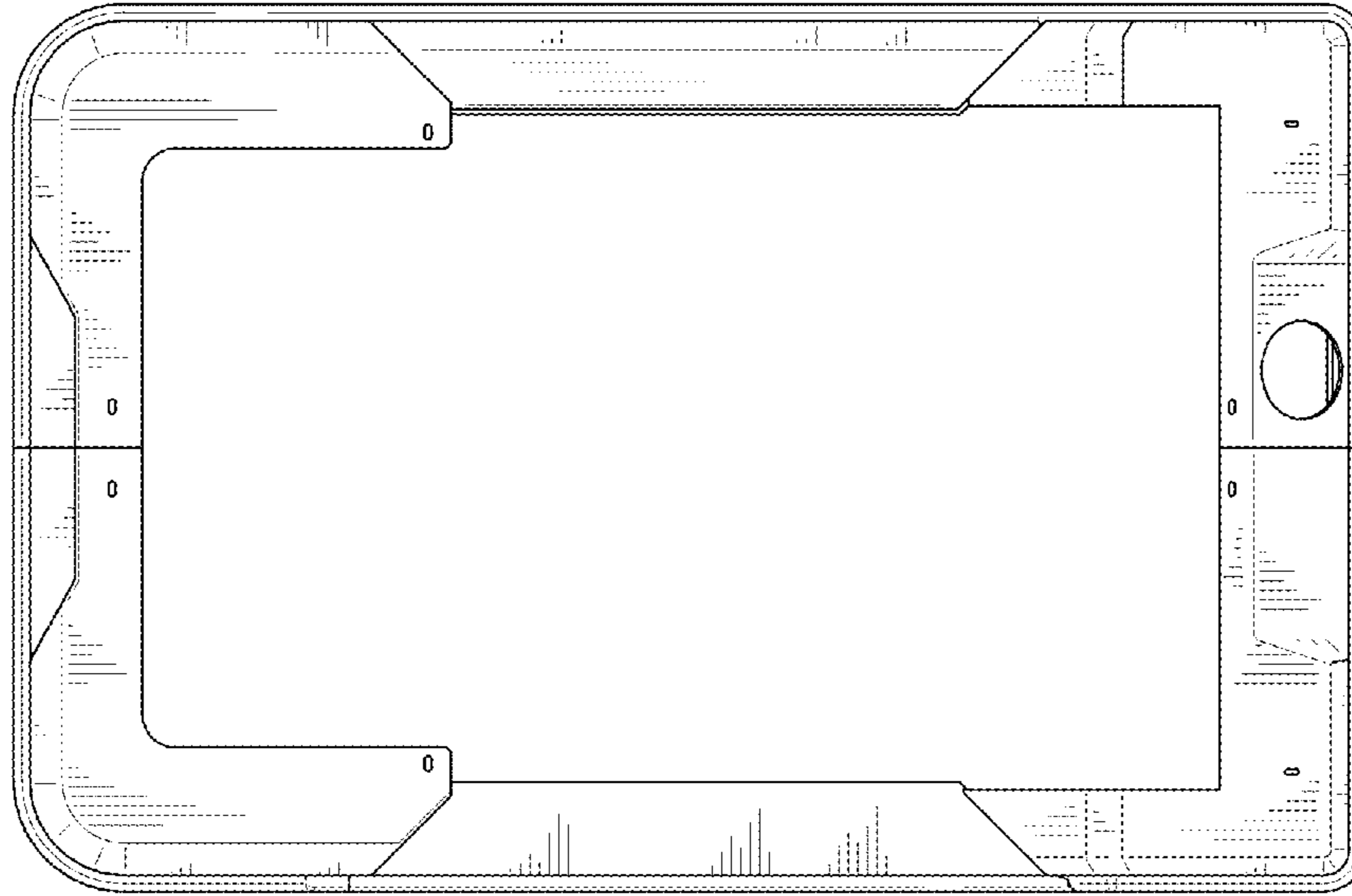


FIG. 2

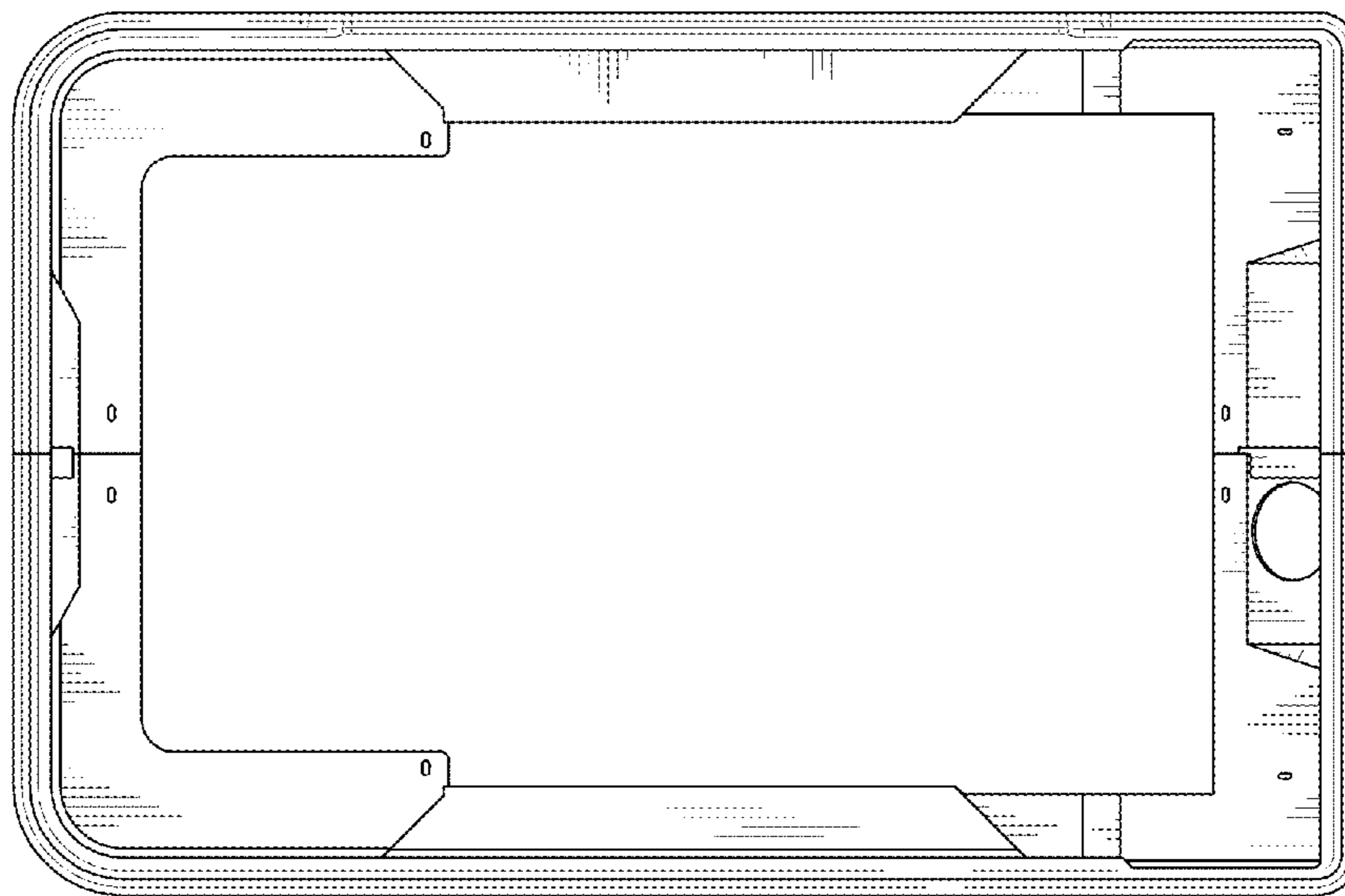


FIG. 3



FIG. 4

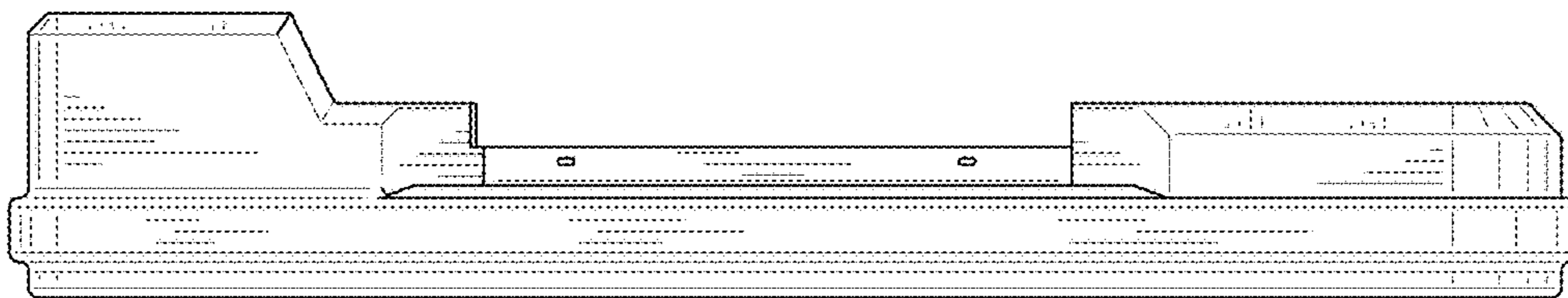


FIG. 5

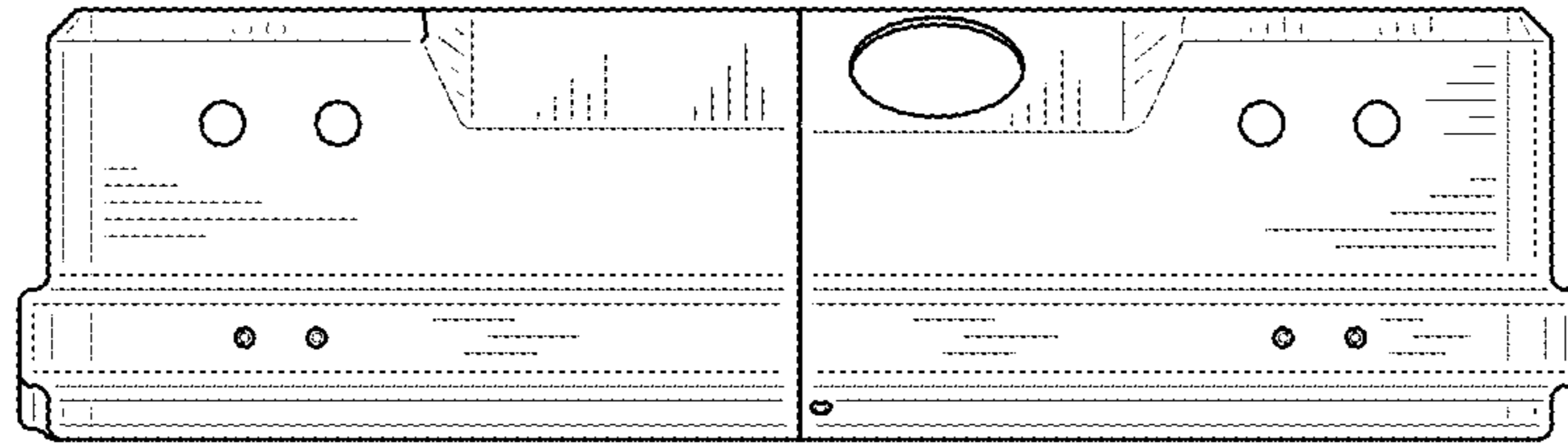


FIG. 6

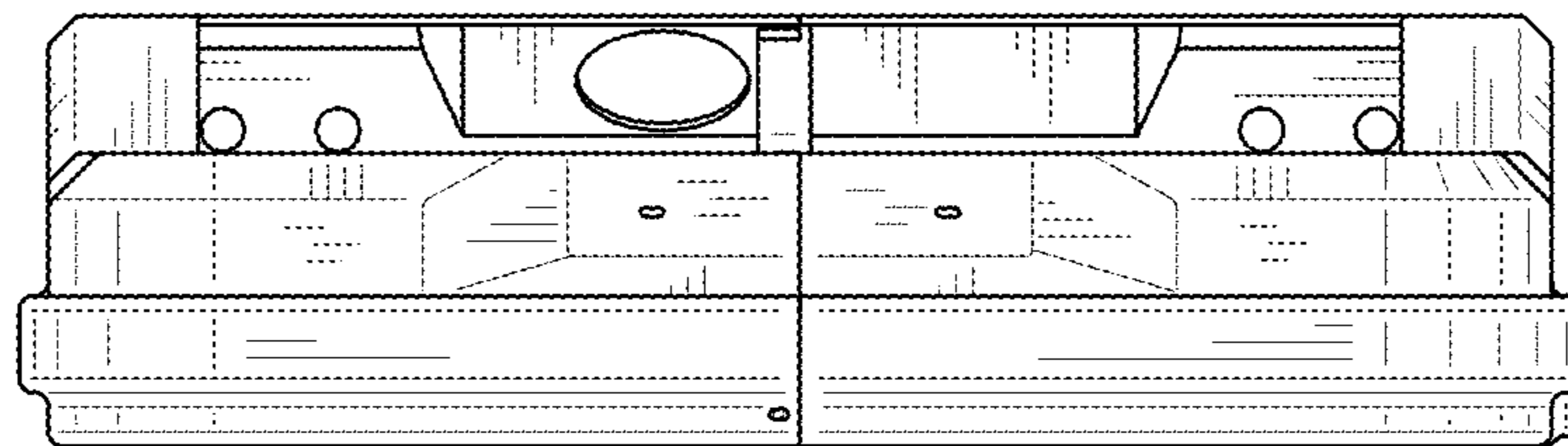


FIG. 7

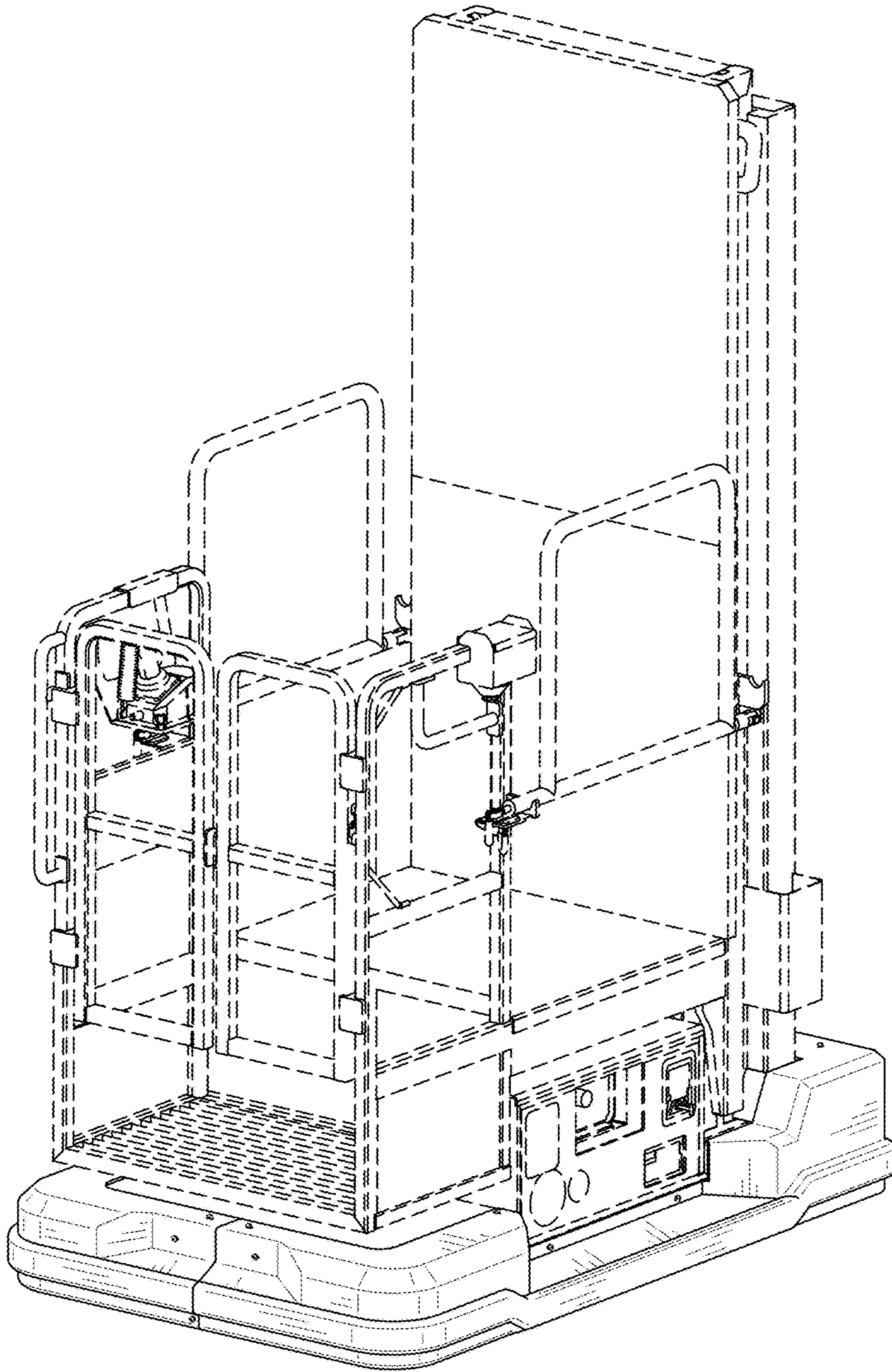


FIG. 8