



US00D833702S

(12) **United States Design Patent** (10) **Patent No.:** **US D833,702 S**
Hogan et al. (45) **Date of Patent:** **** Nov. 13, 2018**

(54) **ROLLER CHAIN OUTER PLATE LINK**
(71) Applicant: **FMH Conveyors LLC**, Jonesboro, AR (US)
(72) Inventors: **William Mark Hogan**, Virginia Beach, VA (US); **Jamshid Naderi**, Henrico, VA (US)

5,203,745 A * 4/1993 Wang F16G 13/06
474/206
D734,590 S * 7/2015 Evers D34/29
2002/0165057 A1 * 11/2002 Barton F16G 13/06
474/231
2006/0194664 A1 * 8/2006 Wang F16G 13/06
474/206
2016/0040753 A1 * 2/2016 Wang F16G 13/06
474/226

(73) Assignee: **FMH Conveyors LLC**, Jonesboro, AR (US)

(**) Term: **15 Years**

(21) Appl. No.: **29/590,255**

(22) Filed: **Jan. 9, 2017**

(51) **LOC (11) Cl.** **12-05**

(52) **U.S. Cl.**
USPC **D34/35**

(58) **Field of Classification Search**
USPC D34/29, 35; 474/232, 231, 230, 228,
474/227, 226, 224, 213, 212, 206, 111;
74/89.2; 59/85, 84, 5, 4, 1
CPC F16G 13/06; F16G 13/04; F16G 15/12;
F16G 13/07; F16G 13/08
See application file for complete search history.

(56) **References Cited**

U.S. PATENT DOCUMENTS

2,452,242 A * 10/1948 Johnson F16G 13/07
474/224
3,231,069 A * 1/1966 Lanham F16G 13/07
198/853
D289,497 S * 4/1987 Schroeder D34/29
5,193,660 A 3/1993 McKernan et al.

OTHER PUBLICATIONS

Tsubaki, Small Size Conveyor Chains & Sprockets, Tsubakimoto Chain Co., Catalog No. ME 1311, (c) 2014, 168pgs.
U.S. Appl. No. 15/401,613, filed Jan. 9, 2017, 29pgs.

* cited by examiner

Primary Examiner — Cynthia Ramirez
Assistant Examiner — Gino Colan
(74) *Attorney, Agent, or Firm* — Michael Best & Friedrich LLP

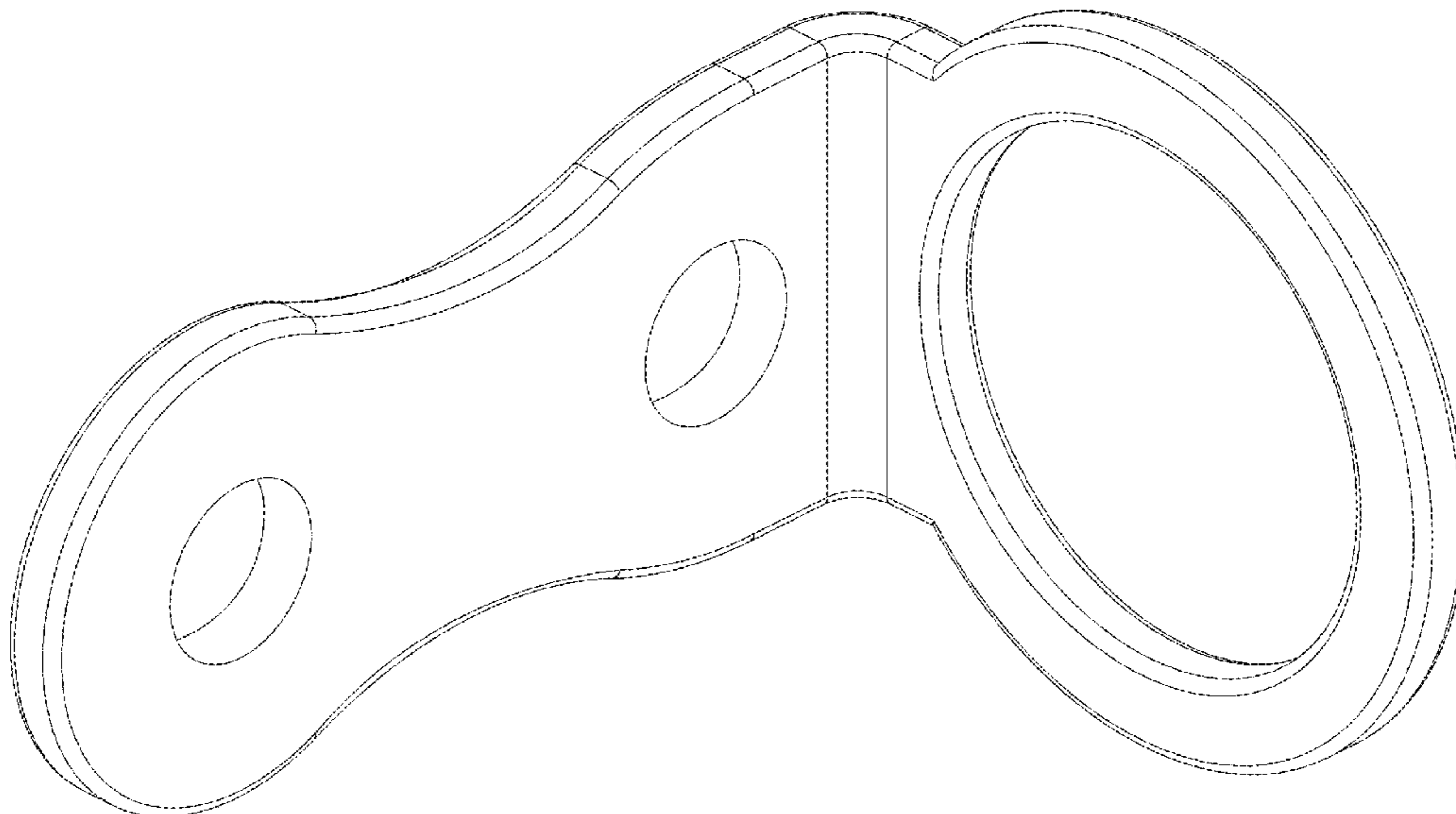
(57) **CLAIM**

The ornamental design for a roller chain outer plate link, as shown.

DESCRIPTION

FIG. 1 is a front perspective view of a roller chain outer plate link showing our new design;
FIG. 2 is a rear perspective view thereof;
FIG. 3 is a front elevation view thereof;
FIG. 4 is a rear elevation view thereof;
FIG. 5 is a right elevation view thereof;
FIG. 6 is a left elevation view thereof;
FIG. 7 is a top plan view thereof; and,
FIG. 8 is a bottom plan view thereof.

1 Claim, 5 Drawing Sheets



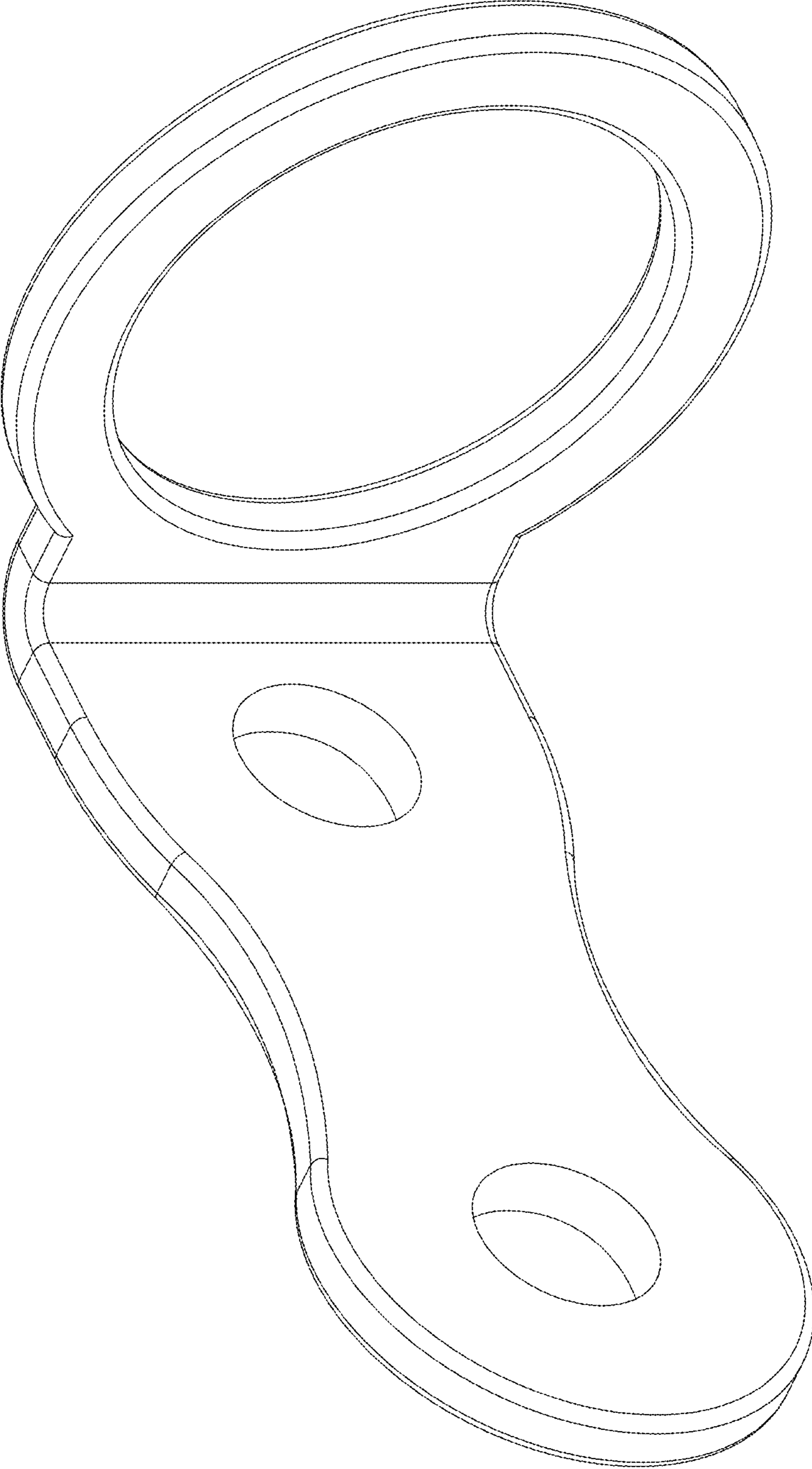


FIG. 1

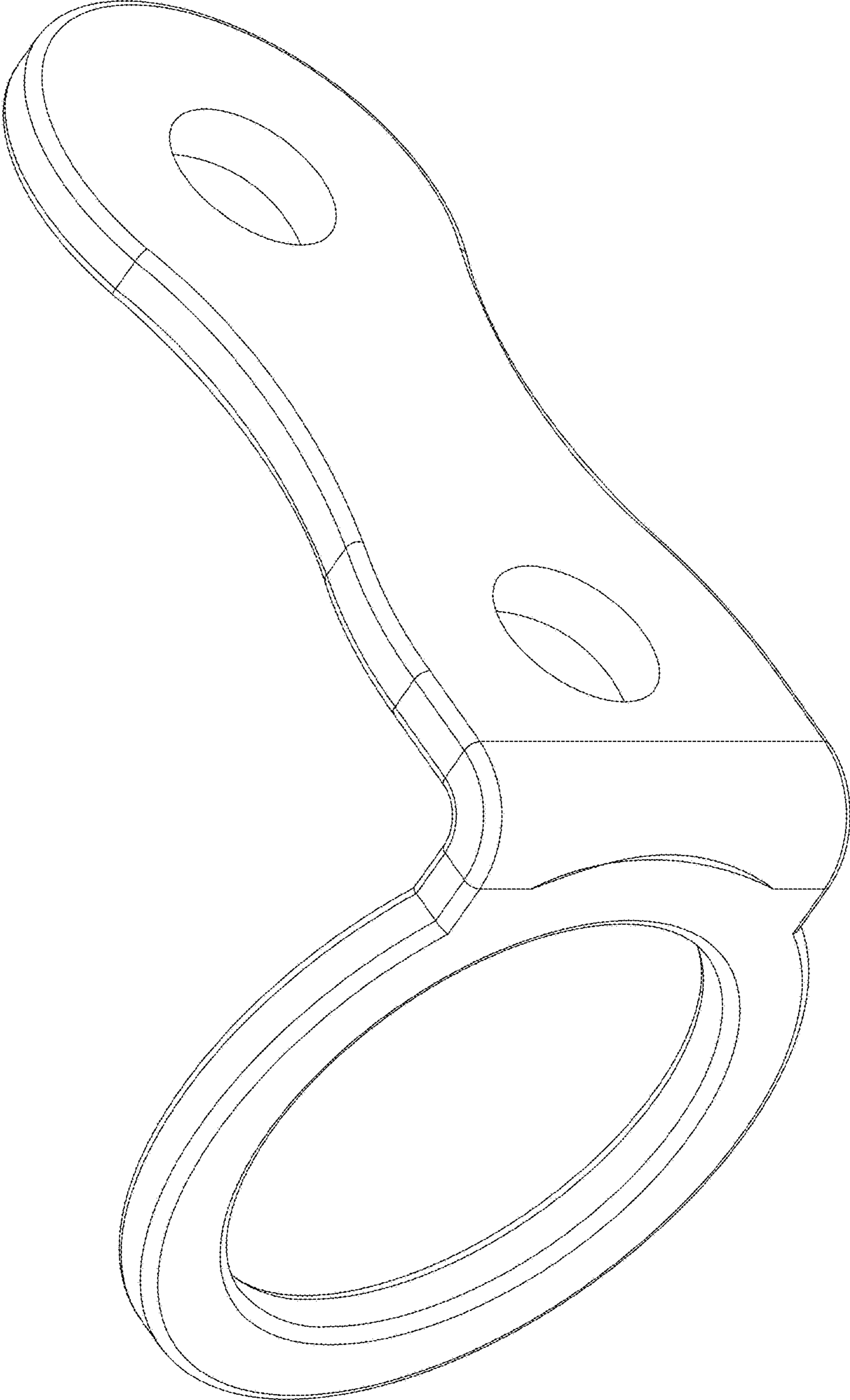


FIG. 2

FIG. 3

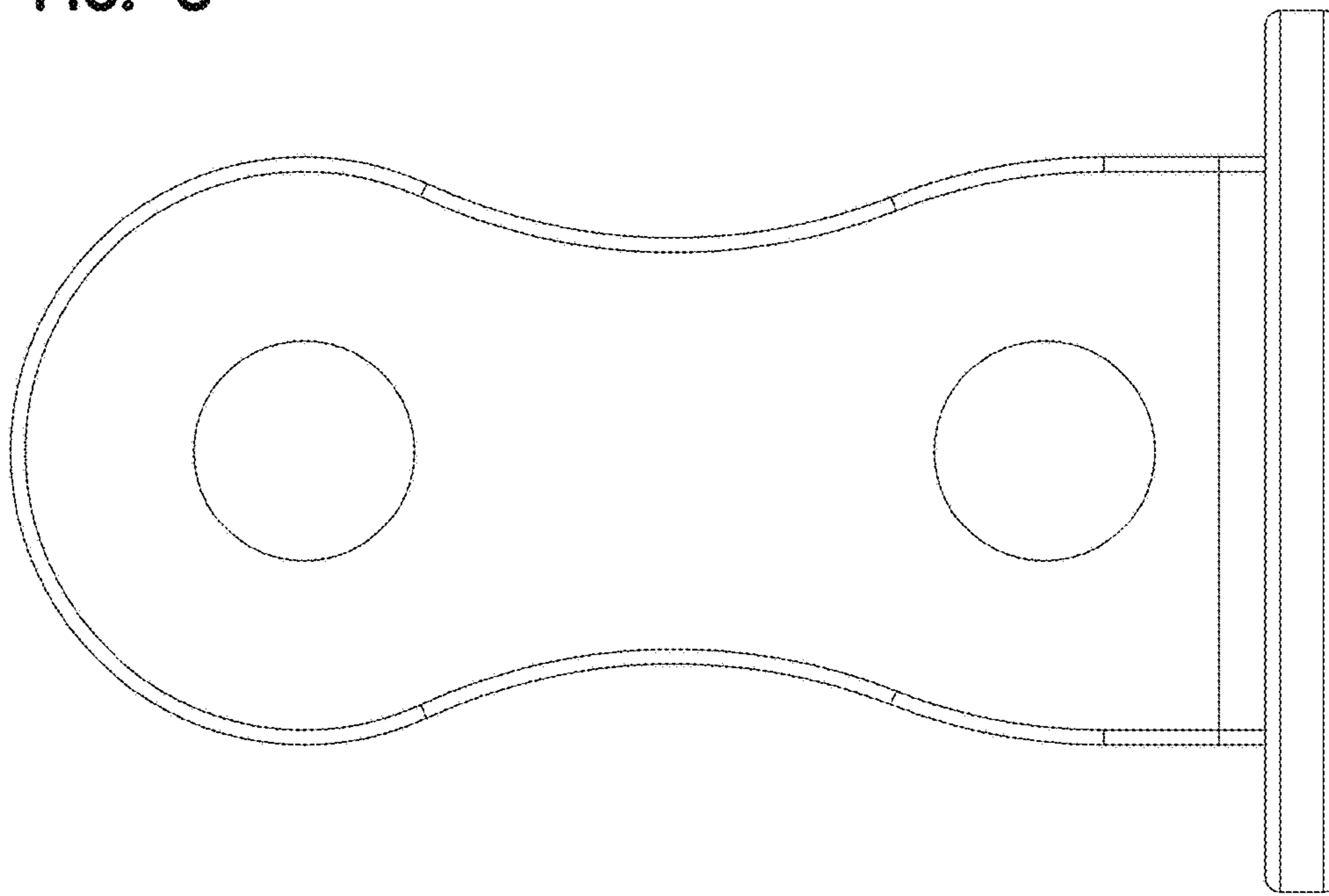


FIG. 4

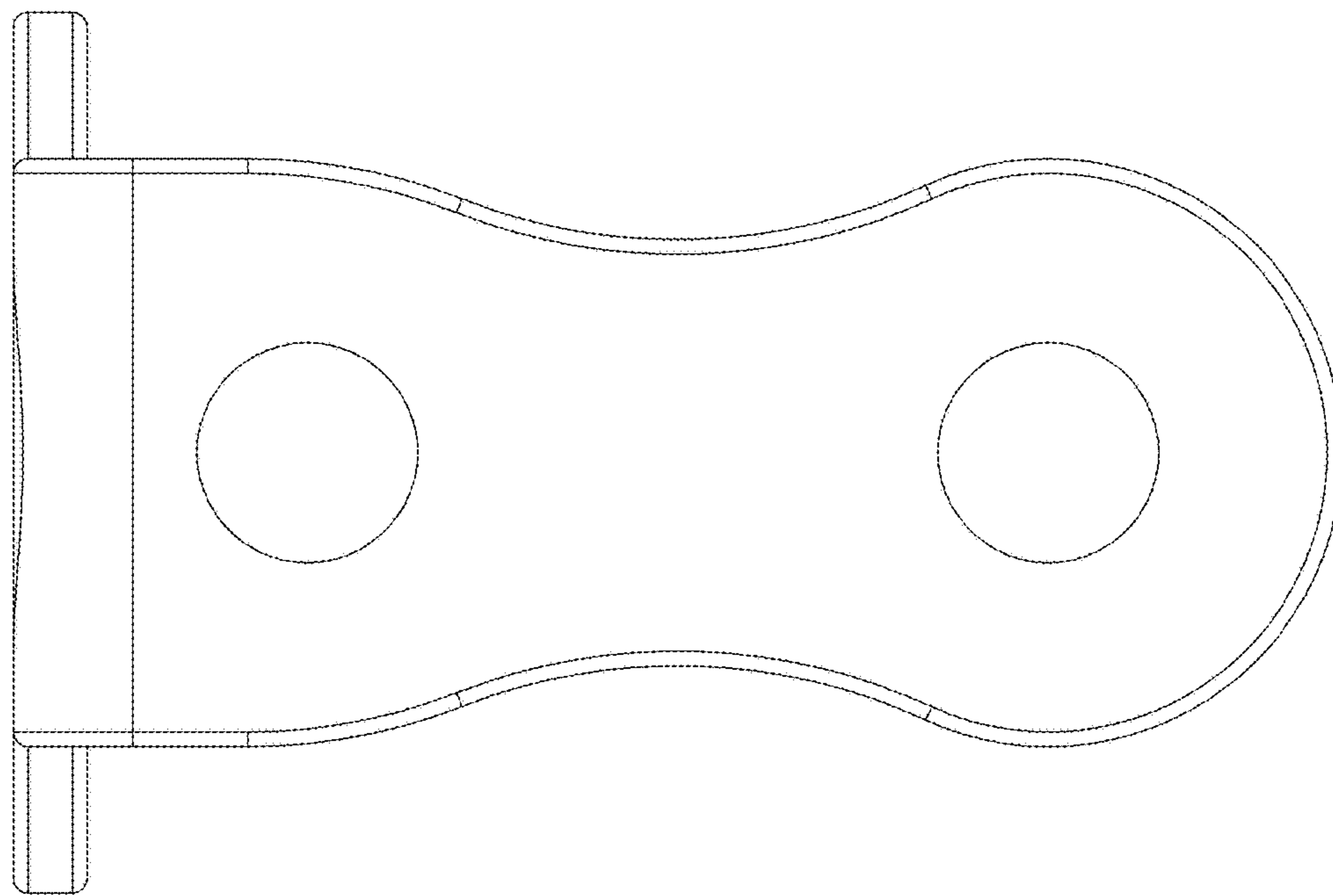


FIG. 5

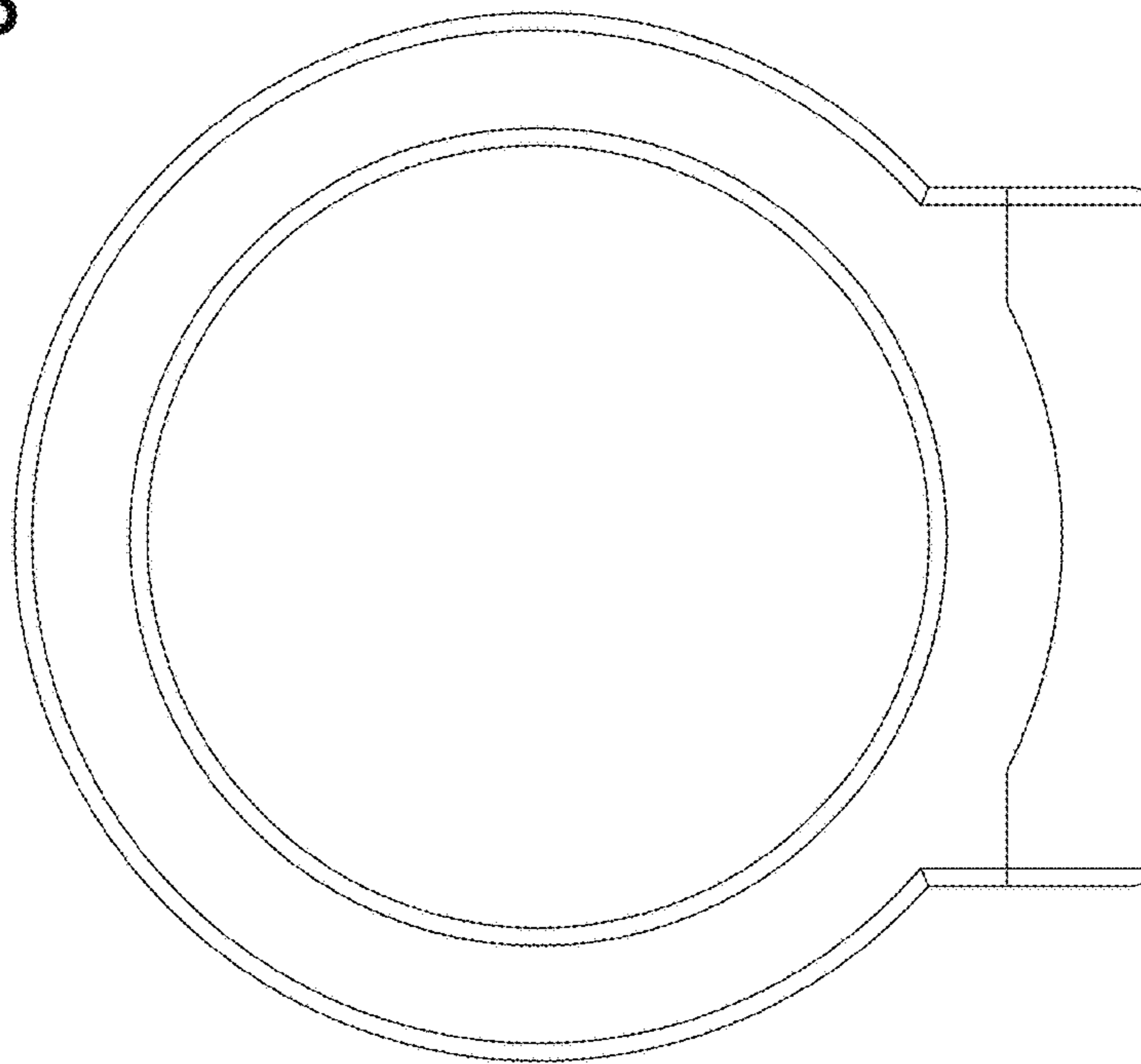


FIG. 6

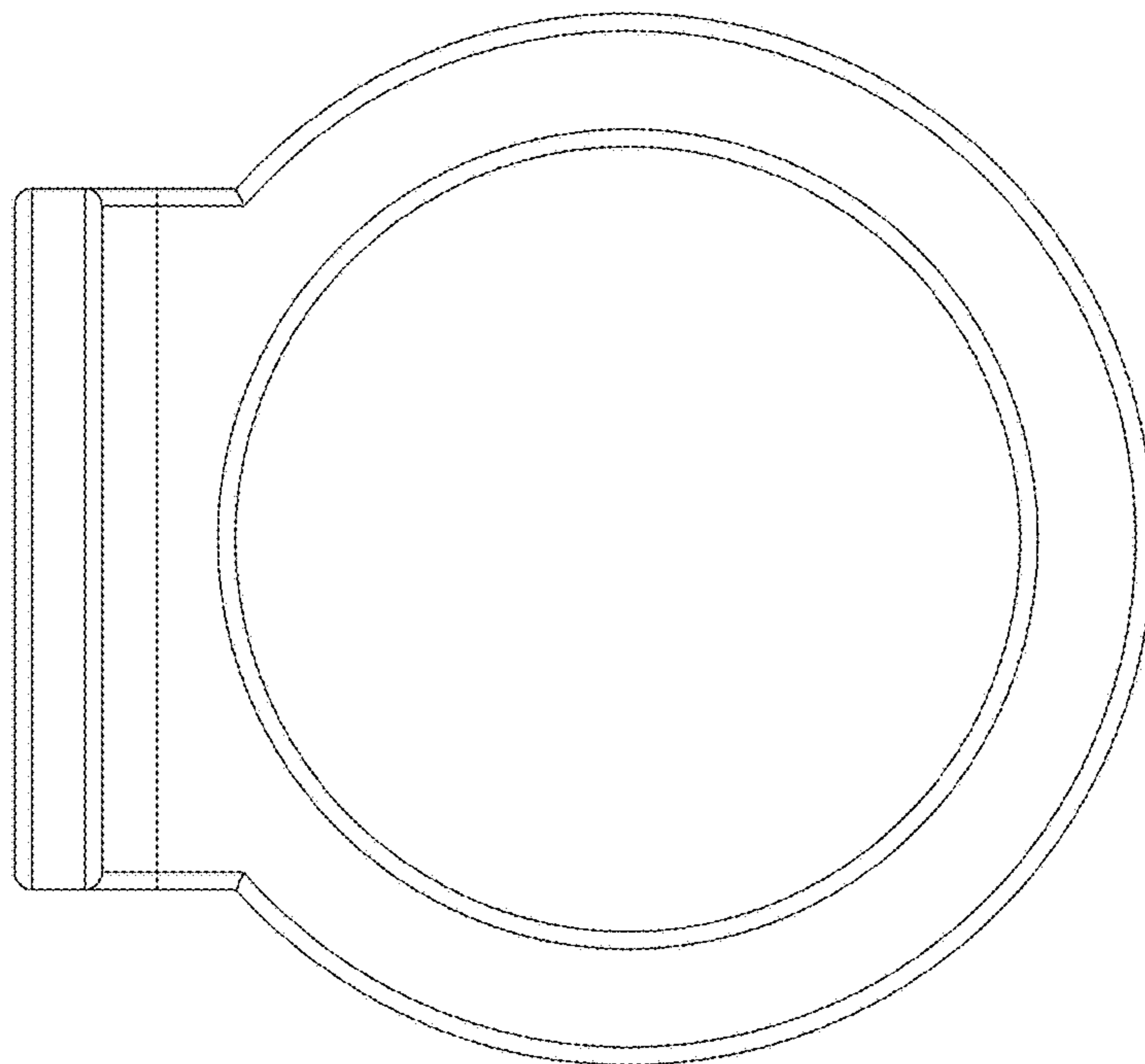


FIG. 7

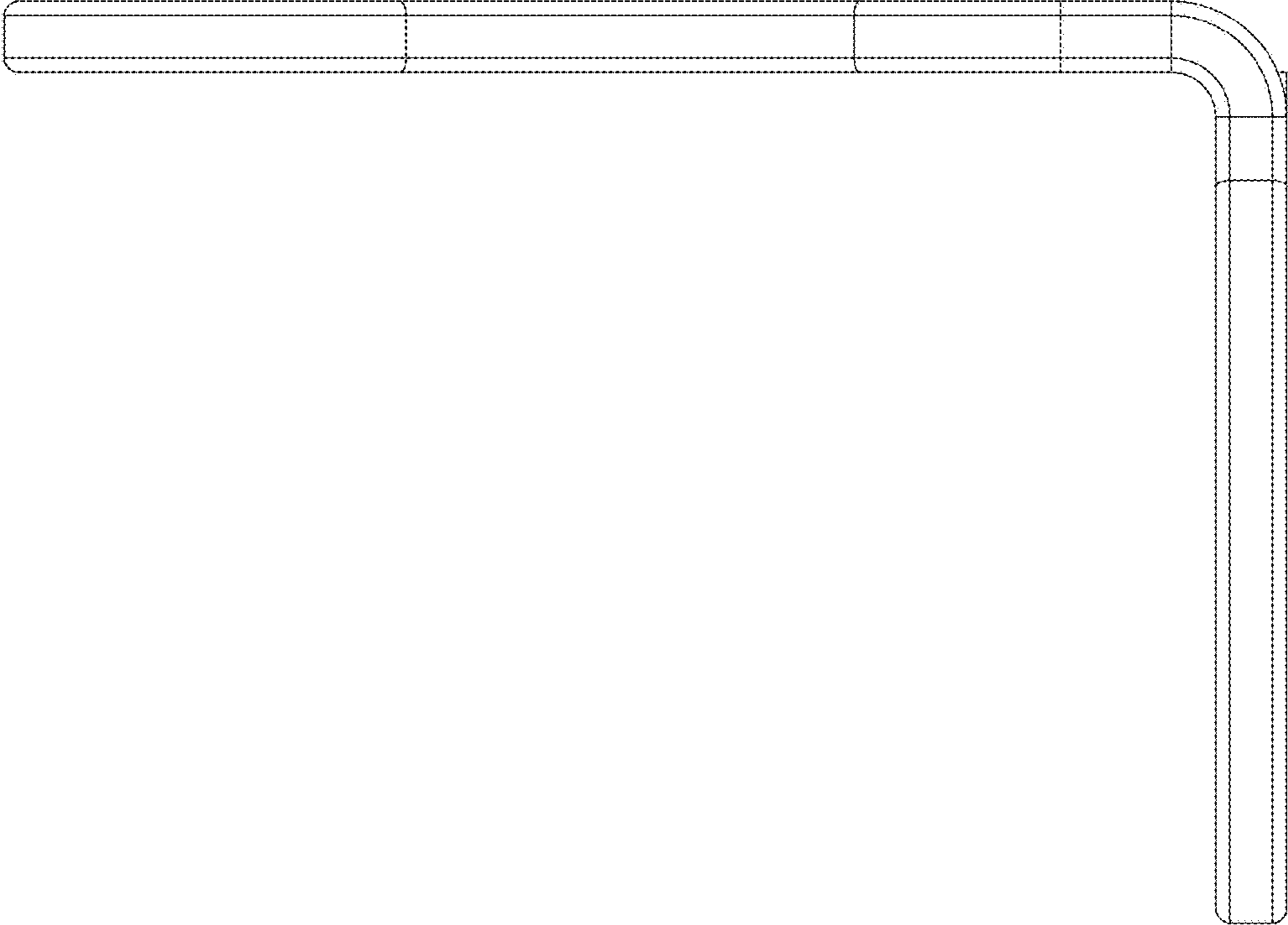


FIG. 8

