



US00D833700S

(12) **United States Design Patent** (10) **Patent No.:** **US D833,700 S**
Starkey (45) **Date of Patent:** **** Nov. 13, 2018**

- (54) **WASTE RECEPTACLE**
- (71) Applicant: **Edison Nation Medical, LLC**,
Charlotte, NC (US)
- (72) Inventor: **Michael Morgan Starkey**, Kent, OH
(US)
- (73) Assignee: **EDISON NATION MEDICAL, LLC**,
Charlotte, NC (US)
- (**) Term: **15 Years**
- (21) Appl. No.: **29/593,875**
- (22) Filed: **Feb. 14, 2017**

- 5,576,621 A * 11/1996 Clements B65F 1/1415
209/549
- D555,870 S * 11/2007 Zorzo D34/14
- D642,763 S * 8/2011 Liang D34/14
- 9,840,369 B2 * 12/2017 Starkey B65F 1/1484
- 9,842,484 B2 * 12/2017 Starkey G08B 21/24
- 2011/0156903 A1 * 6/2011 Henniges B62B 3/106
340/540
- 2017/0029207 A1 * 2/2017 Starkey B65F 1/1473
- 2018/0102043 A1 * 4/2018 Starkey B62B 3/106

* cited by examiner

Primary Examiner — Cynthia Ramirez

(74) *Attorney, Agent, or Firm* — Tillman Wright, PLLC;
Chad D. Tillman

Related U.S. Application Data

- (63) Continuation of application No. 14/815,605, filed on
Jul. 31, 2015, now Pat. No. 9,637,309.
- (51) **LOC (11) Cl.** **09-09**
- (52) **U.S. Cl.**
USPC **D34/5**
- (58) **Field of Classification Search**
USPC D34/1, 5, 6, 10, 11, 12-27; 248/97, 95,
248/100
CPC B65F 1/1415; B65F 1/06; B62B 2202/22;
B62B 2202/404; B62B 3/106; B62B 3/04;
B62B 3/02; B65B 67/1227; B65B 67/12;
B65B 67/1205
See application file for complete search history.

References Cited

U.S. PATENT DOCUMENTS

- D351,700 S * 10/1994 Uzelman D34/24
- D374,529 S * 10/1996 Sanderson D34/5

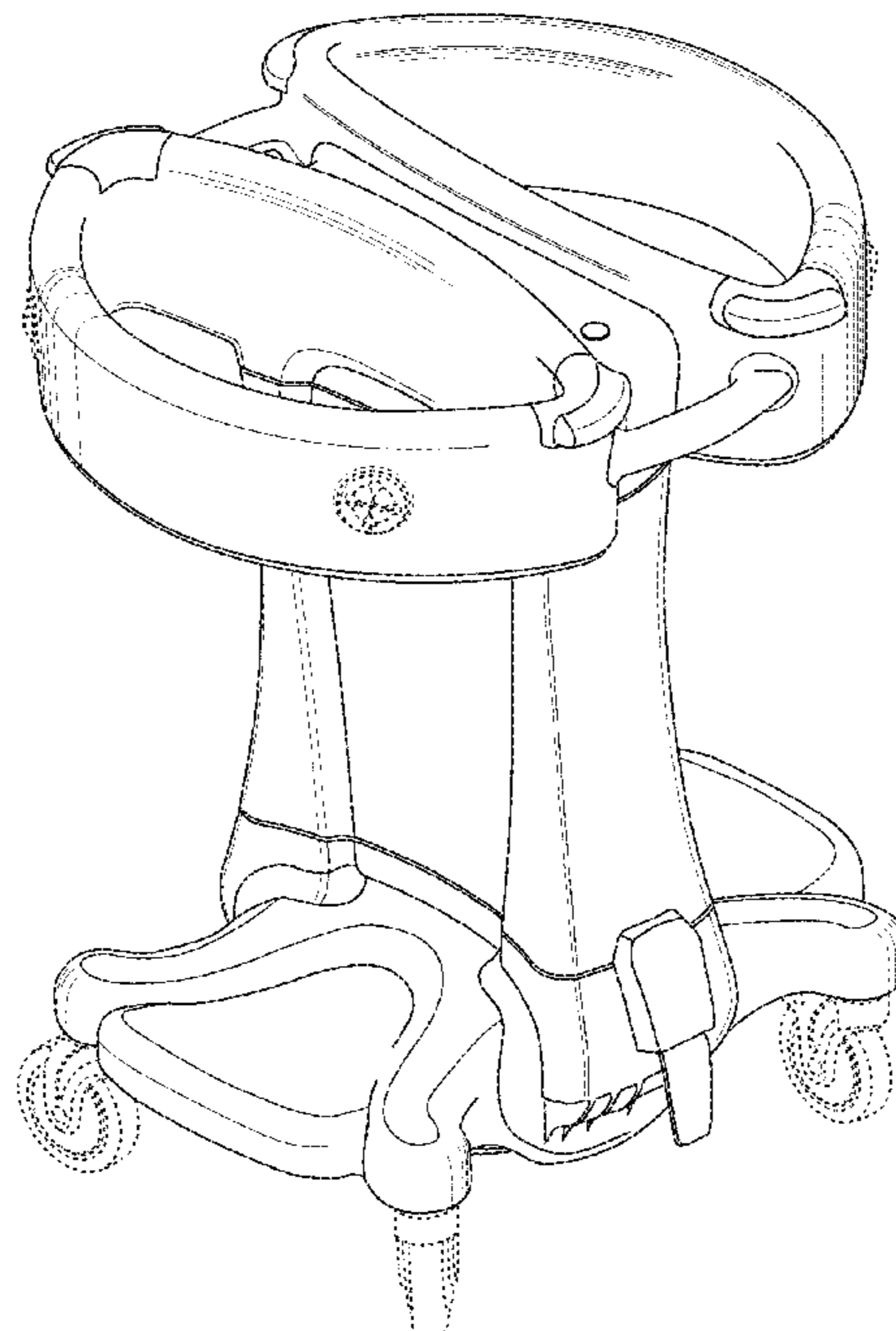
(57) **CLAIM**

The ornamental design for a waste receptacle, as shown and described.

DESCRIPTION

FIG. 1 is a perspective view of a waste receptacle in accordance with the present invention.
 FIG. 2 is a top plan view of the waste receptacle of FIG. 1.
 FIG. 3 is a first side view of the waste receptacle of FIG. 1.
 FIG. 4 is a front view of the waste receptacle of FIG. 1.
 FIG. 5 is a second side view of the waste receptacle of FIG. 1; and,
 FIG. 6 is a back view of the waste receptacle of FIG. 1.
 The broken lines in the figures are to show portions of the waste receptacle that are not part of the claimed design.

1 Claim, 6 Drawing Sheets



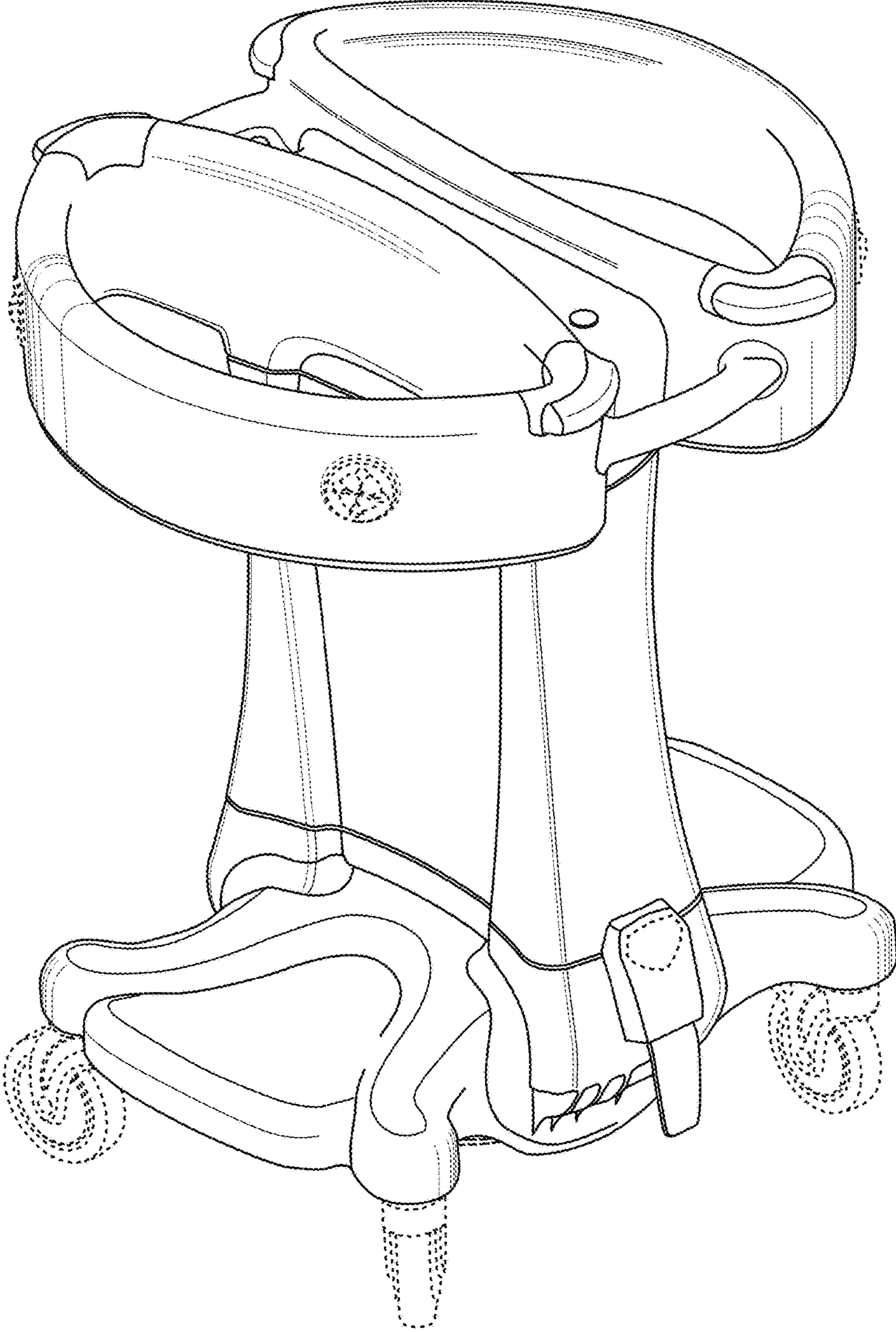


FIG. 1

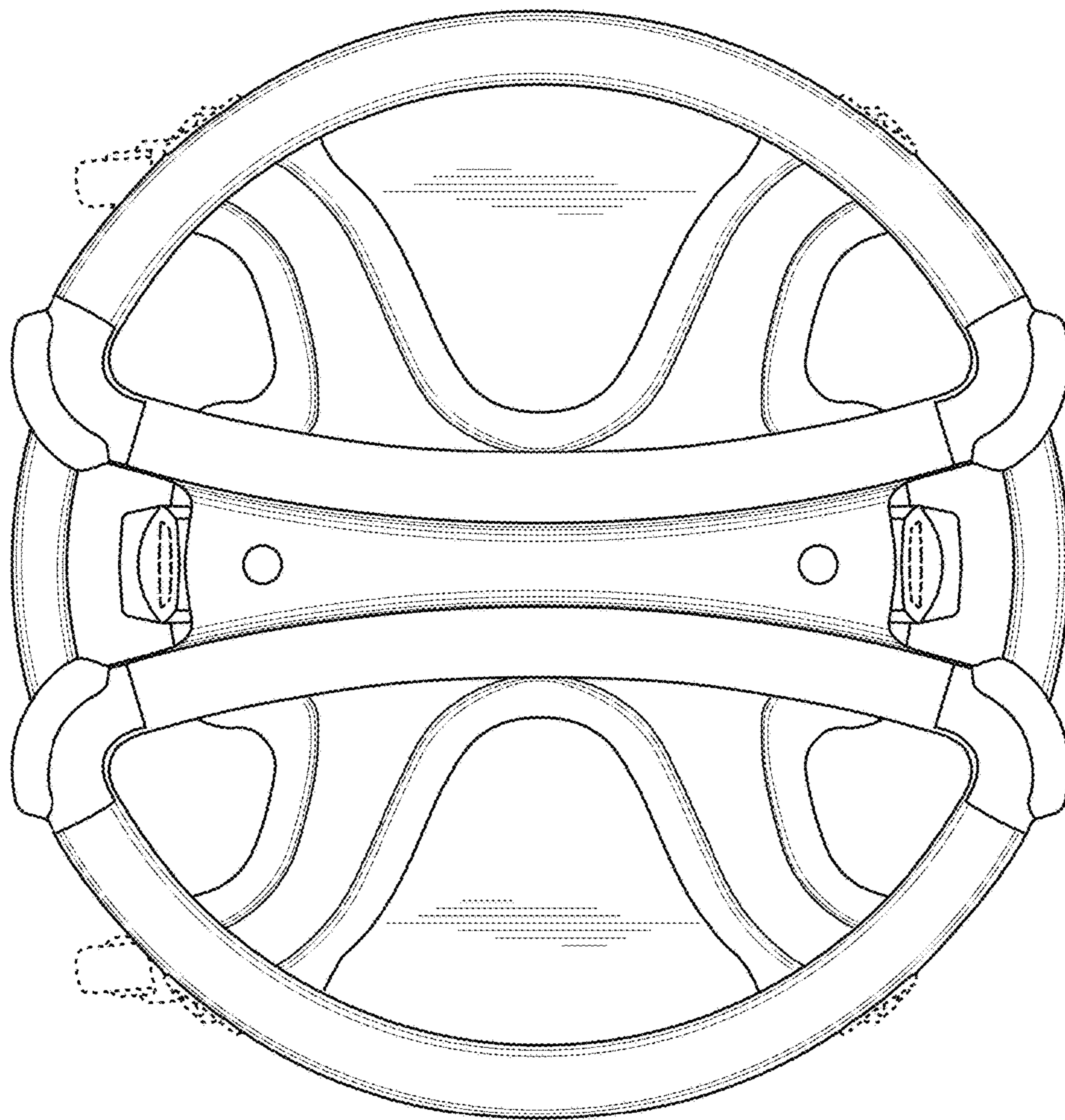


FIG. 2

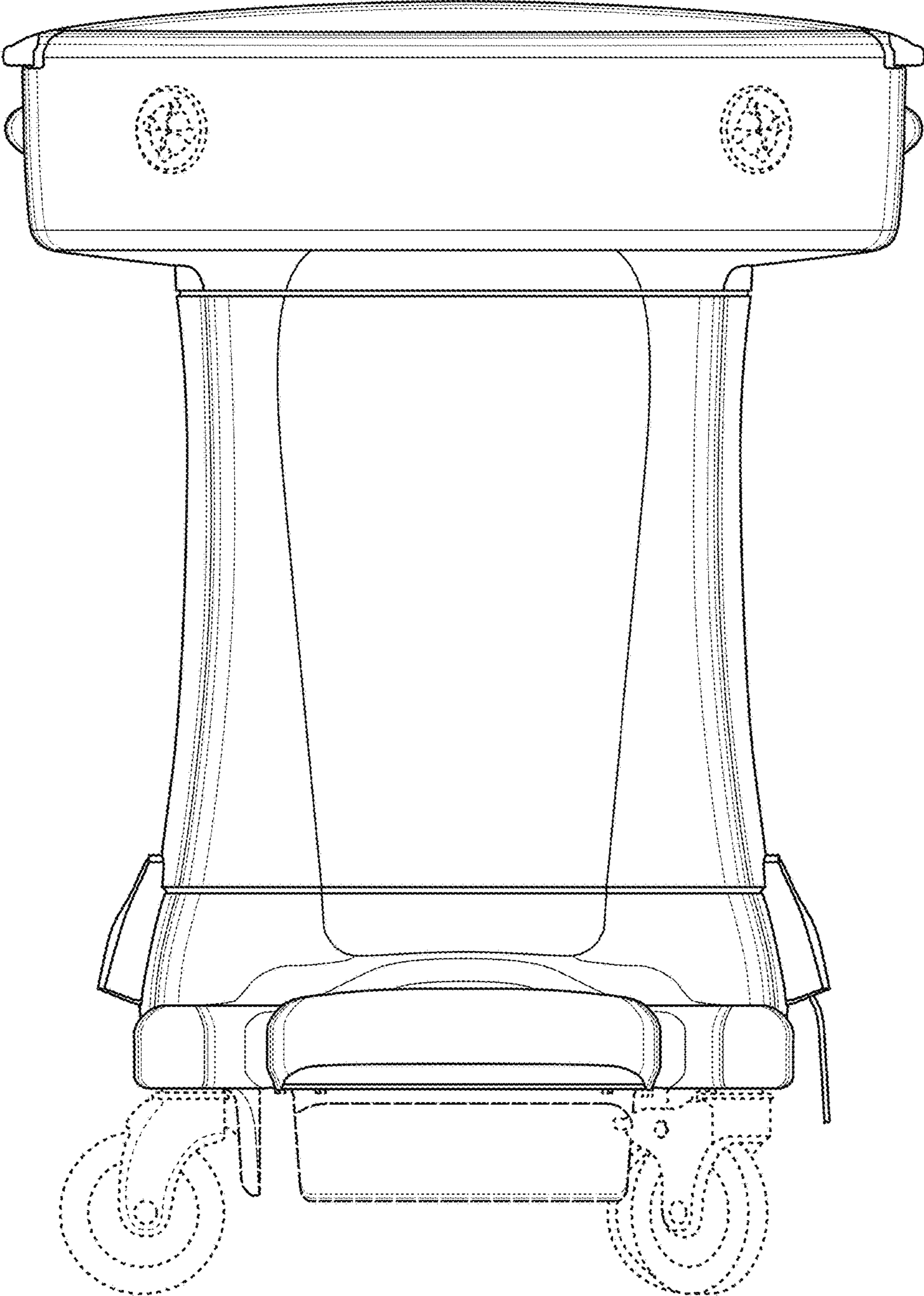


FIG. 3

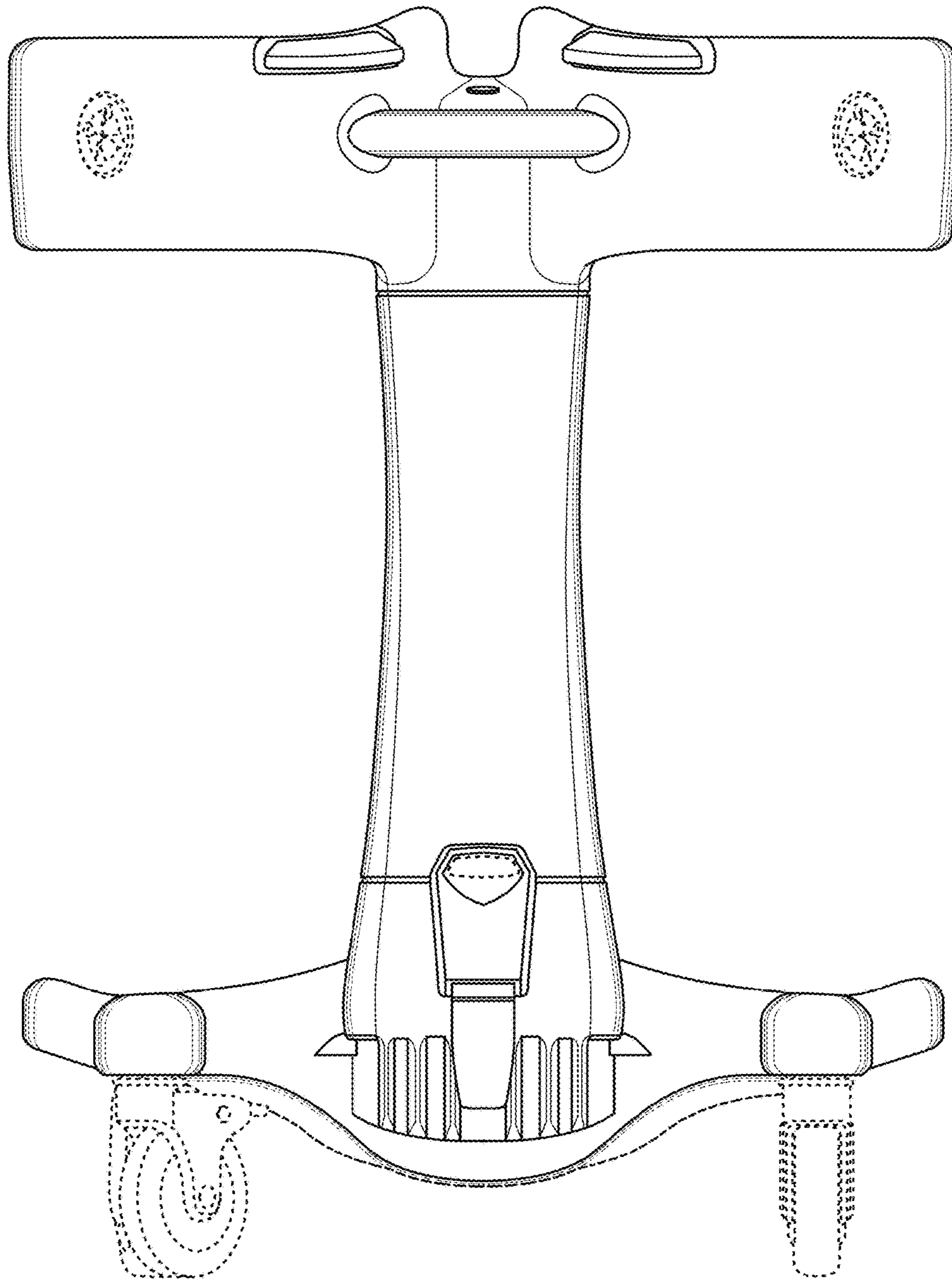


FIG. 4

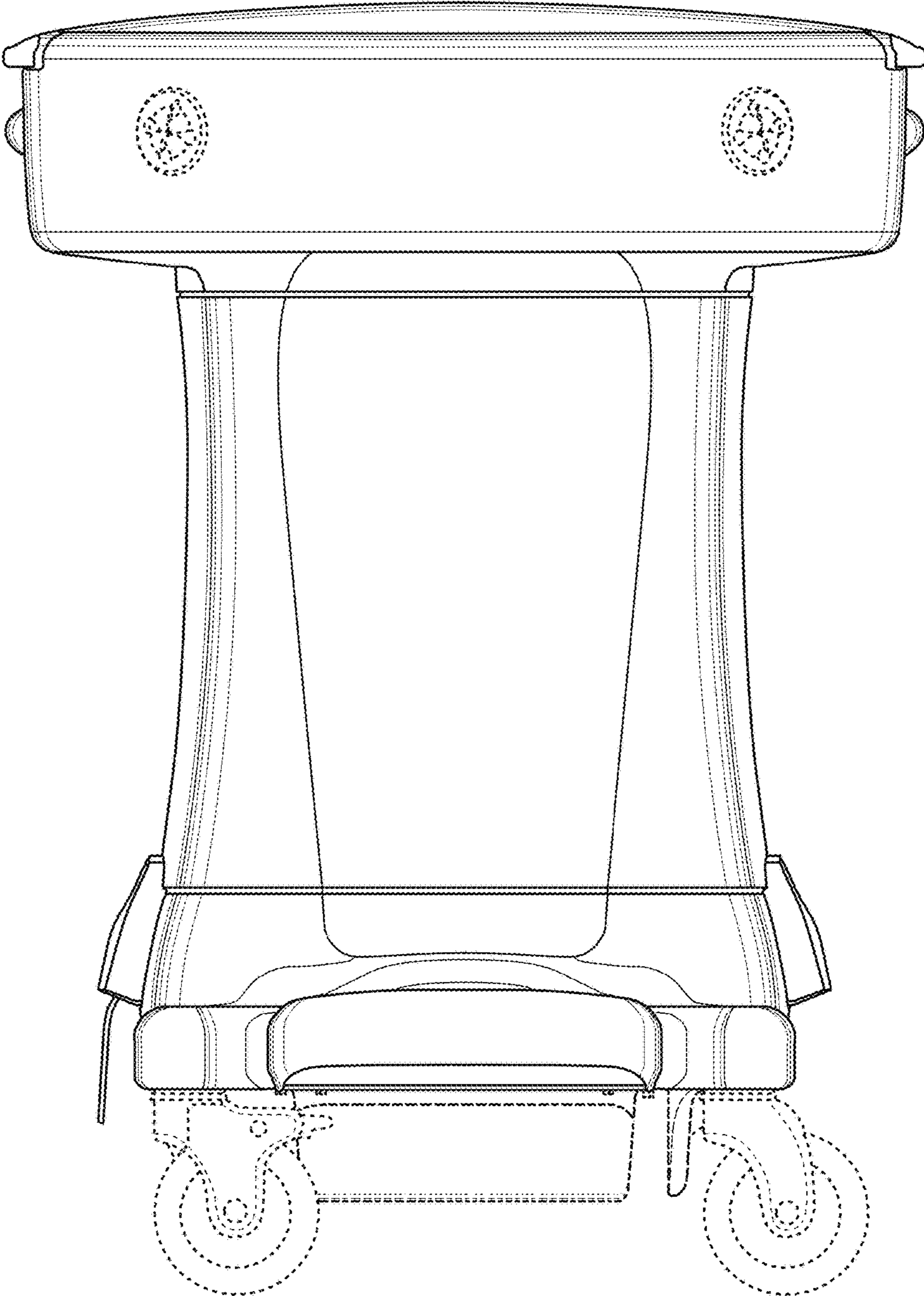


FIG. 5

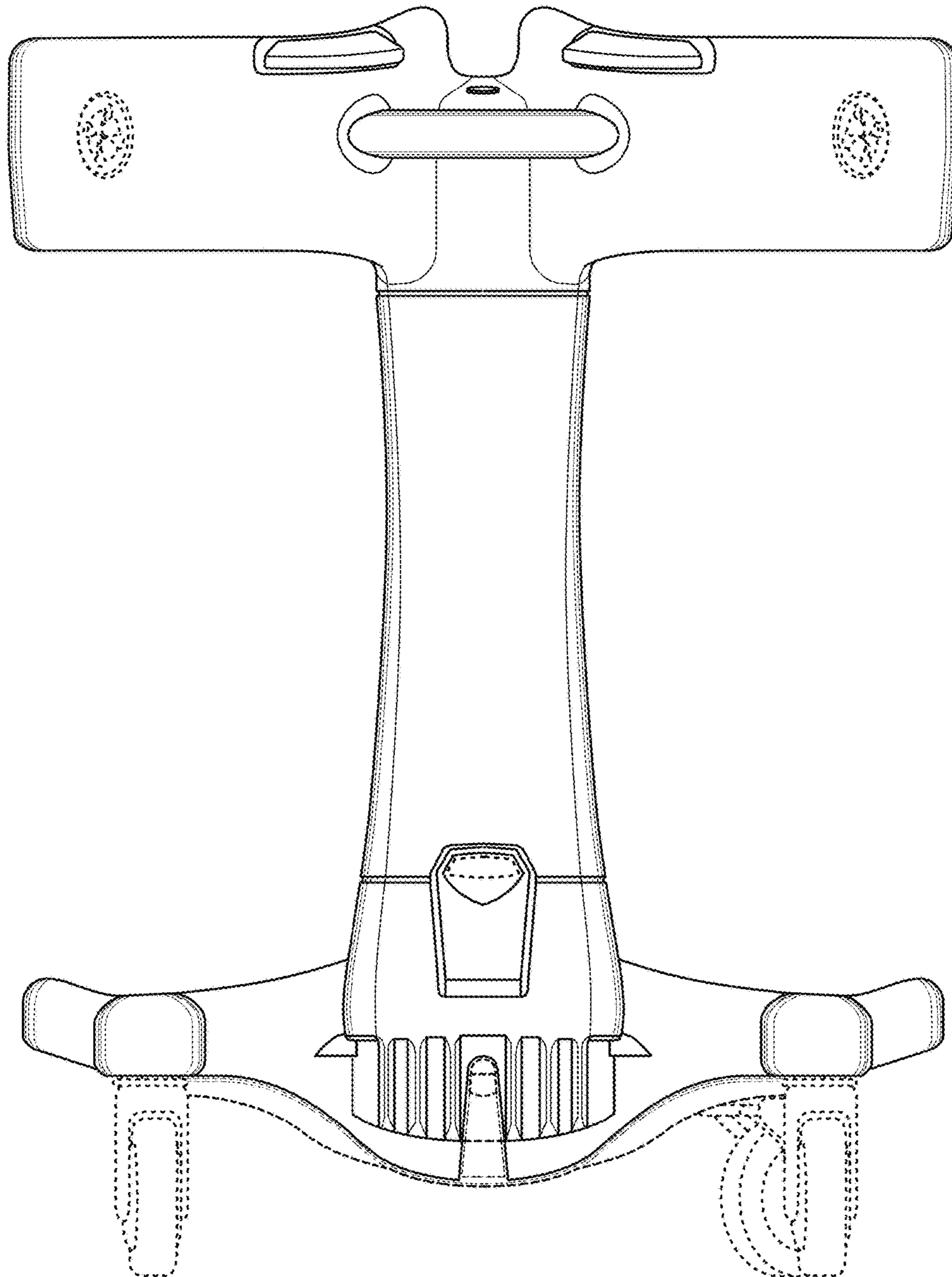


FIG. 6