



US00D833699S

(12) **United States Design Patent**
Serrahima

(10) **Patent No.:** **US D833,699 S**

(45) **Date of Patent:** **** Nov. 13, 2018**

(54) **SINKWARE CROCK**

(71) Applicant: **Helen of Troy Limited**, Belleville, St. Michael (BB)

(72) Inventor: **Mario Quintana Serrahima**, Brooklyn, NY (US)

(73) Assignee: **Helen of Troy Limited**, St. Michael (BB)

(**) Term: **15 Years**

(21) Appl. No.: **29/580,180**

(22) Filed: **Oct. 6, 2016**

(51) **LOC (11) Cl.** **07-05**

(52) **U.S. Cl.**
USPC **D32/55**

(58) **Field of Classification Search**

USPC D32/55, 276, 3; D6/510, 525; D30/133;
211/41.5, 41.4, 41.3, 41.8; 361/679.4;
312/311, 333, 334.4; D7/354, 629

CPC .. A47L 15/505; A47L 15/503; A47L 15/0013;
A47L 19/02; A47L 19/04; A47J 47/20

See application file for complete search history.

(56) **References Cited**

U.S. PATENT DOCUMENTS

D187,290 S *	2/1960	Miller	D32/55
D331,477 S *	12/1992	Michael	D3/309
D566,361 S *	4/2008	Snell	D32/55
D600,017 S *	9/2009	Christie	D3/304
D626,363 S *	11/2010	Yang	D6/525
D636,201 S *	4/2011	Kolano	D6/553
D642,841 S *	8/2011	Dretzka	D6/553
D651,779 S *	1/2012	Balkum	D32/55
D697,309 S *	1/2014	Baldwin	D3/304

(Continued)

Primary Examiner — Austin Murphy

(74) *Attorney, Agent, or Firm* — Rankin, Hill & Clark LLP

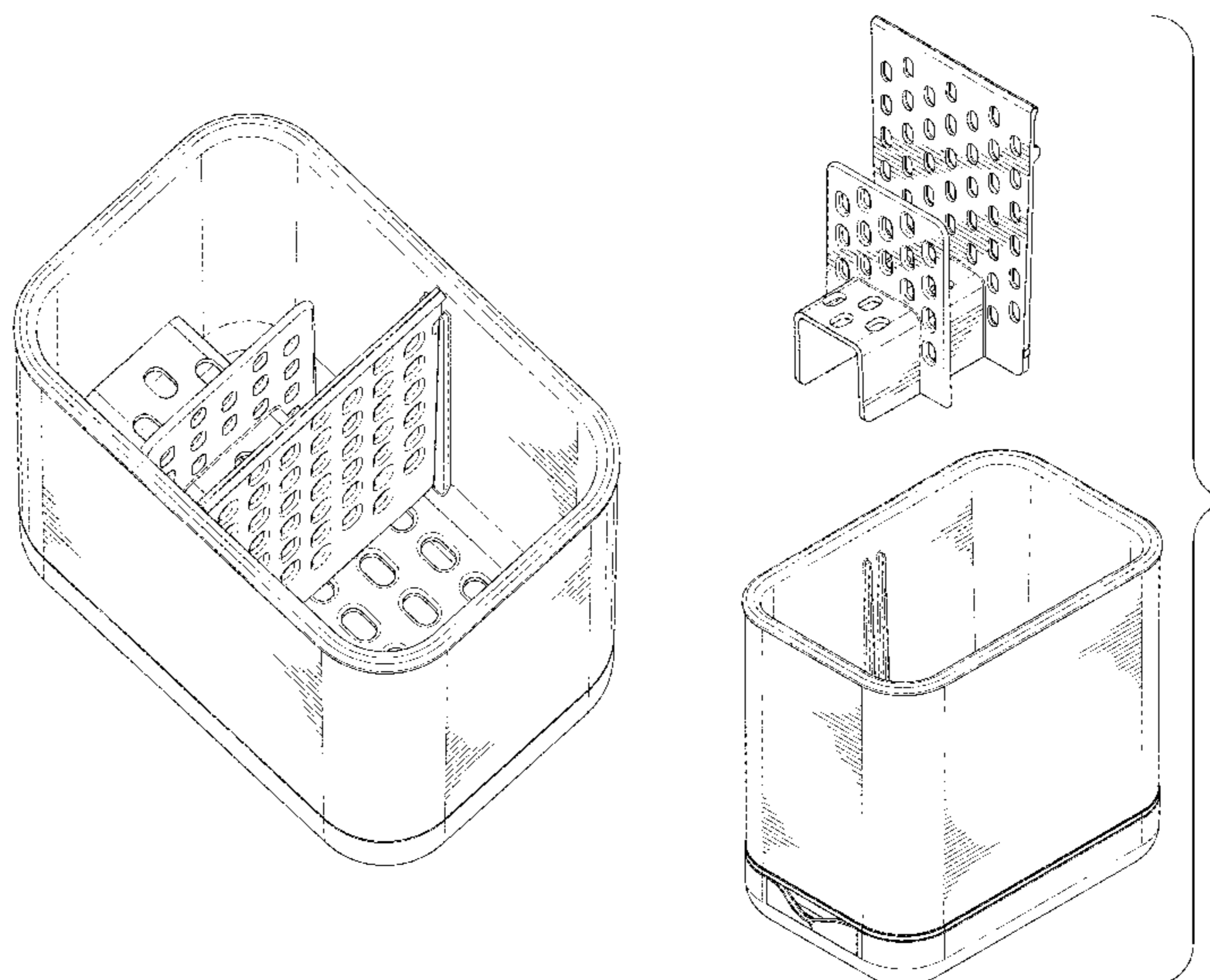
(57) **CLAIM**

The ornamental design for a sinkware crock, as shown and described.

DESCRIPTION

FIG. 1 is a rear perspective view of a sinkware crock;
 FIG. 2 is a right side elevation view thereof;
 FIG. 3 is a left side elevation view thereof;
 FIG. 4 is a front elevation view thereof;
 FIG. 5 is a rear elevation view thereof;
 FIG. 6 is a top plan view thereof;
 FIG. 7 is a bottom plan view thereof;
 FIG. 8 is a front perspective view with a divider removed;
 FIG. 9 is a right side elevation view with the divider removed, the left side elevation view being a mirror image;
 FIG. 10 is a front elevation view with the divider removed;
 FIG. 11 is a rear elevation view with the divider removed;
 FIG. 12 is a rear perspective view of an alternative embodiment of the sinkware crock;
 FIG. 13 is a right side elevation view thereof;
 FIG. 14 is a left side elevation view thereof;
 FIG. 15 is a front elevation view thereof;
 FIG. 16 is a rear elevation view thereof;
 FIG. 17 is a top plan view thereof;
 FIG. 18 is a bottom plan view thereof;
 FIG. 19 is a front perspective view with a divider removed;
 FIG. 20 is a right side elevation view with the divider removed, the left side elevation view being a mirror image;
 FIG. 21 is a front elevation view with the divider removed;
 and,
 FIG. 22 is a rear elevation view with the divider removed.

1 Claim, 22 Drawing Sheets



(56)

References Cited

U.S. PATENT DOCUMENTS

D699,972 S *	2/2014	Lee	D6/553
D727,654 S *	4/2015	Tollasepp	D6/553
D762,934 S *	8/2016	Evans	D32/55
D794,893 S *	8/2017	Libman	D32/55
D816,933 S *	5/2018	Klipshtein	D32/55
2014/0259380 A1 *	9/2014	Eilmus	E03C 1/22 4/650
2014/0259381 A1 *	9/2014	Fogerlie	A47L 15/502 4/654

* cited by examiner

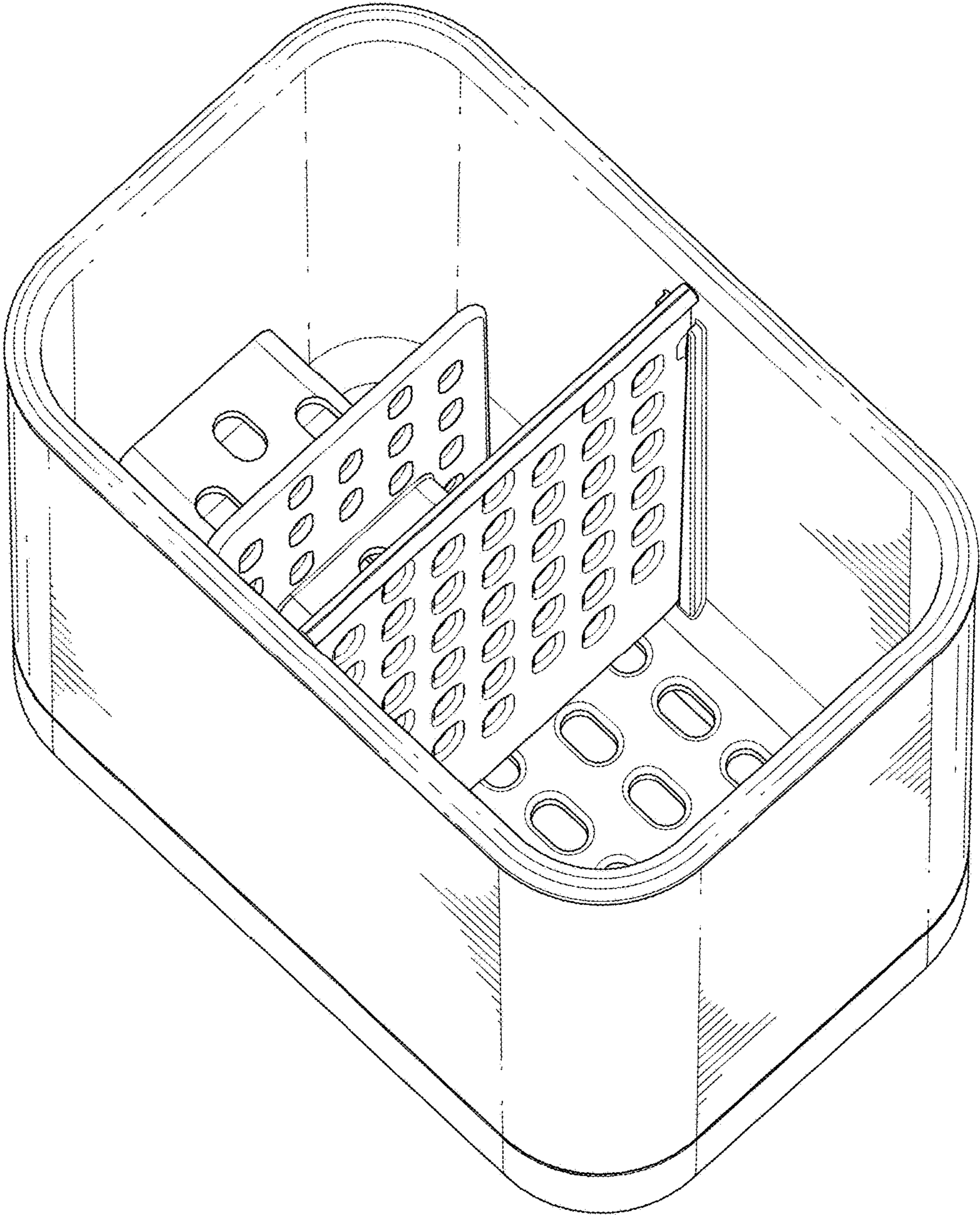


FIG. 1

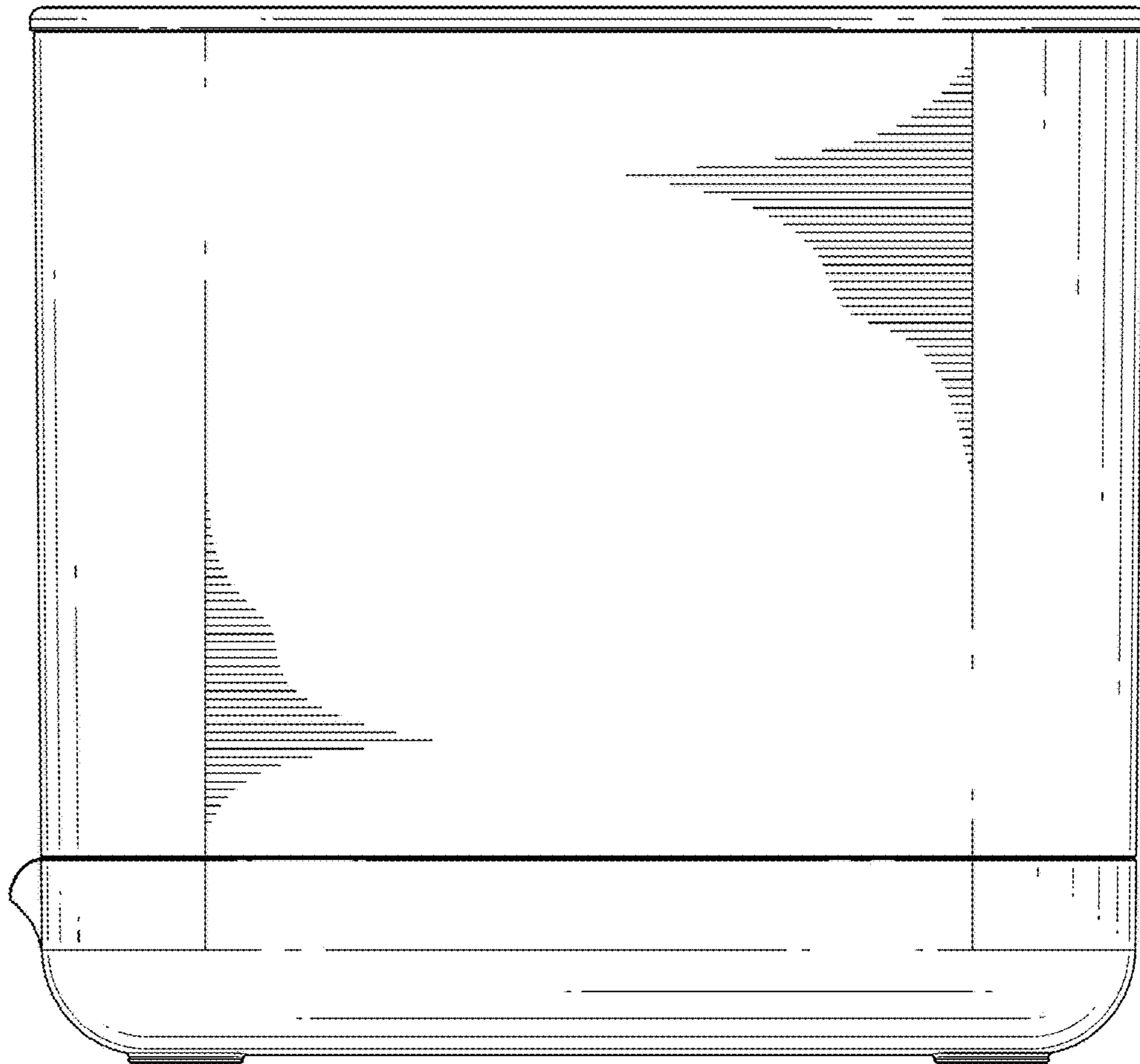


FIG. 2



FIG. 3

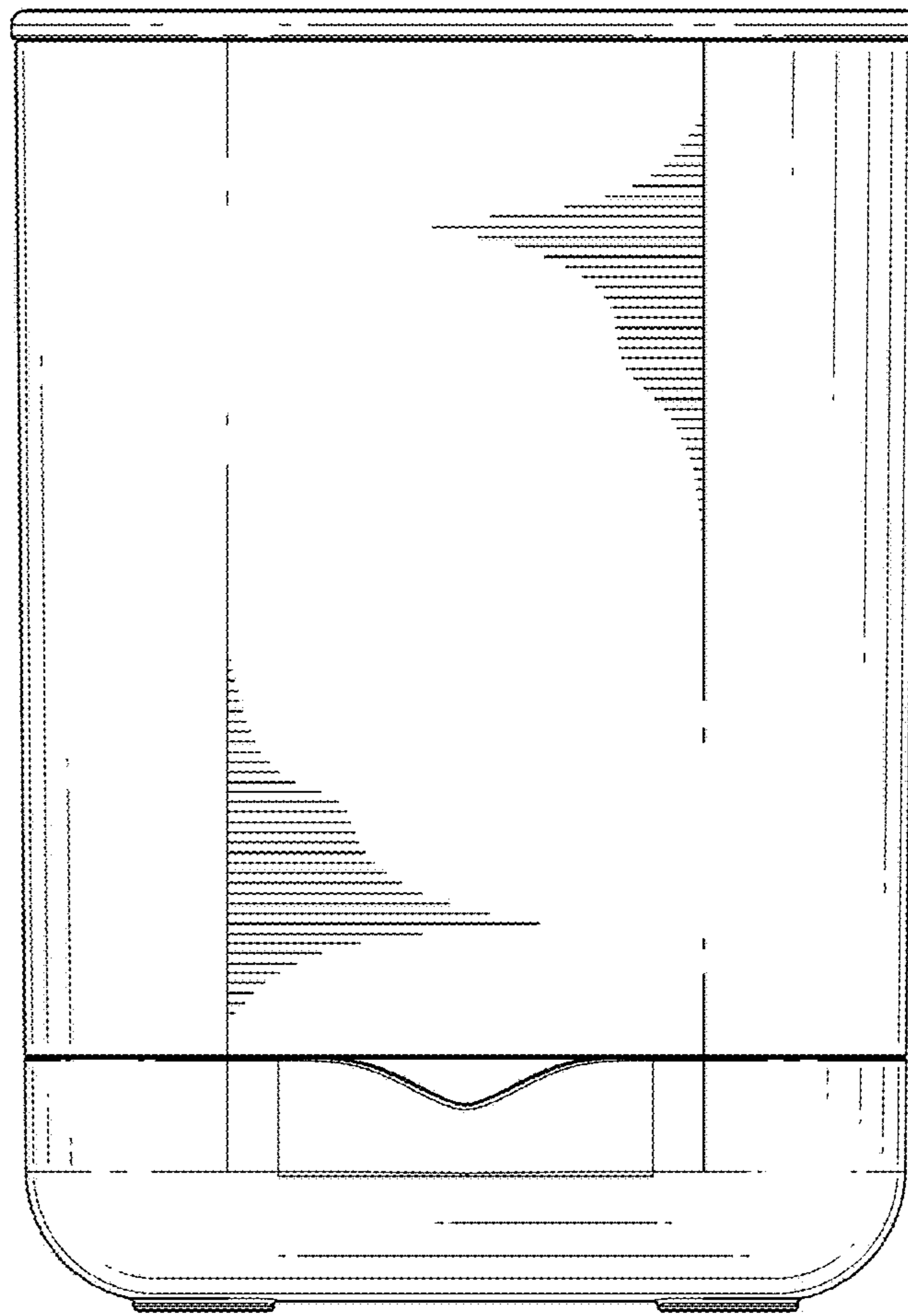


FIG. 4



FIG. 5

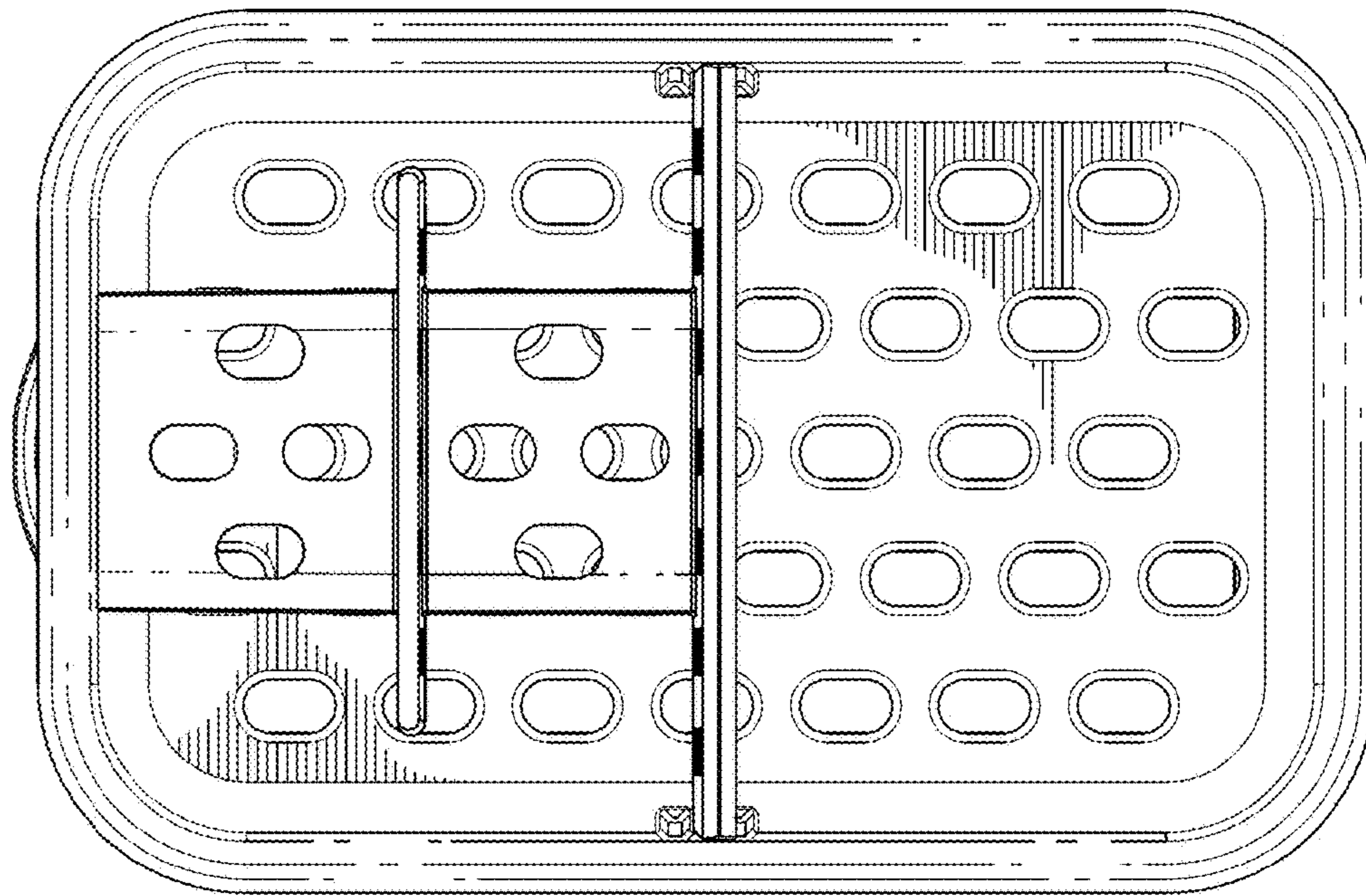


FIG. 6

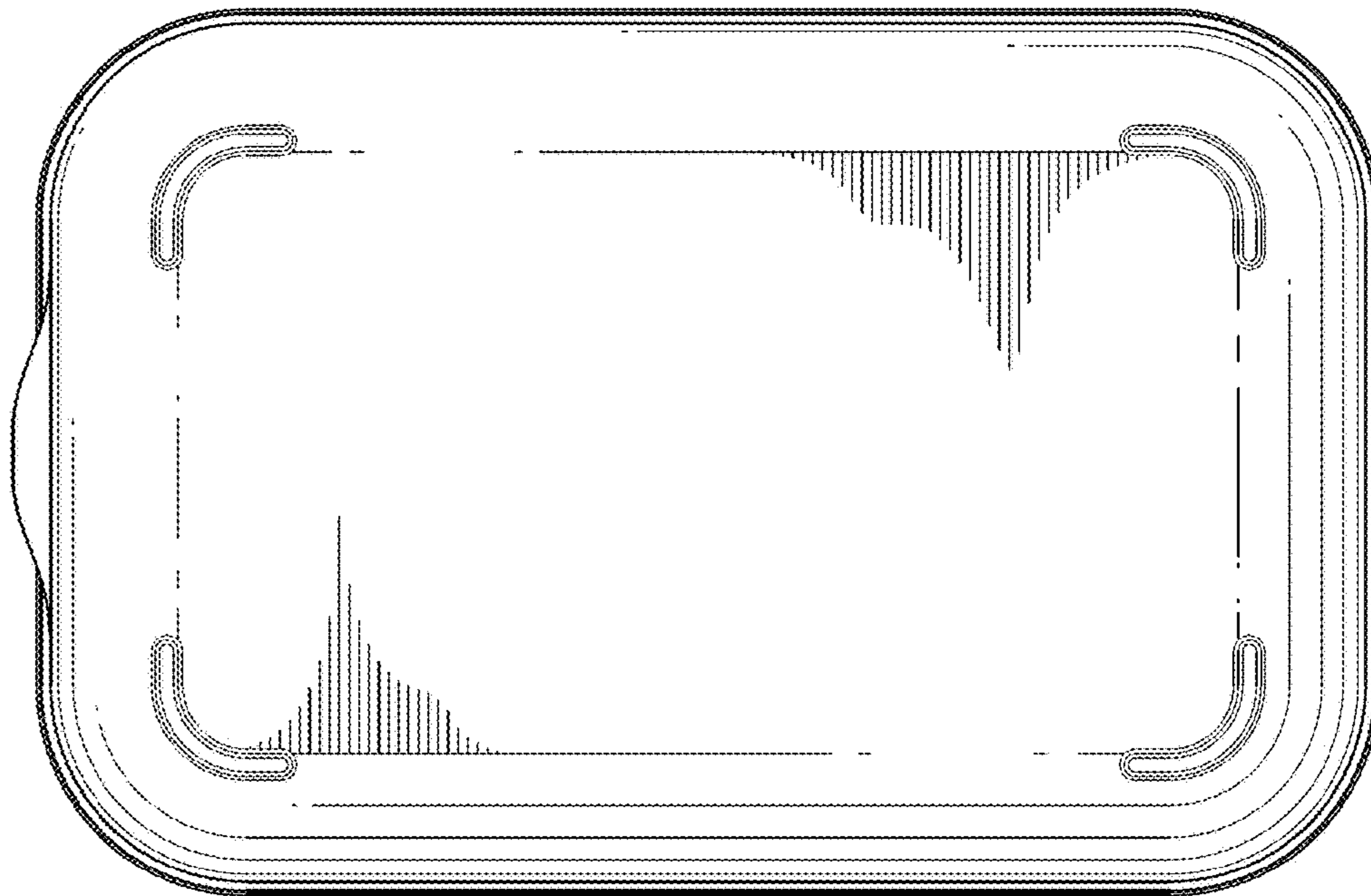


FIG. 7

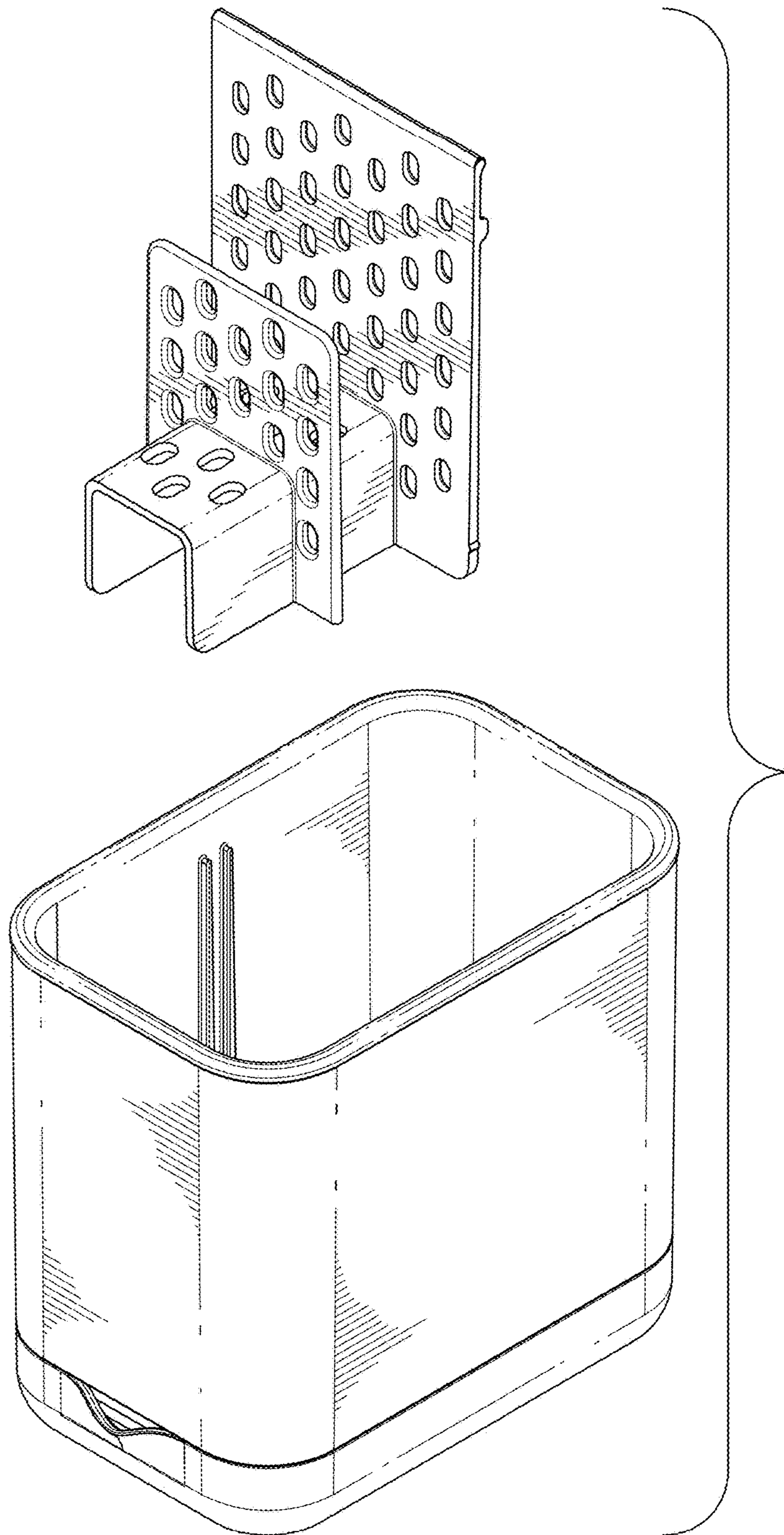


FIG.8

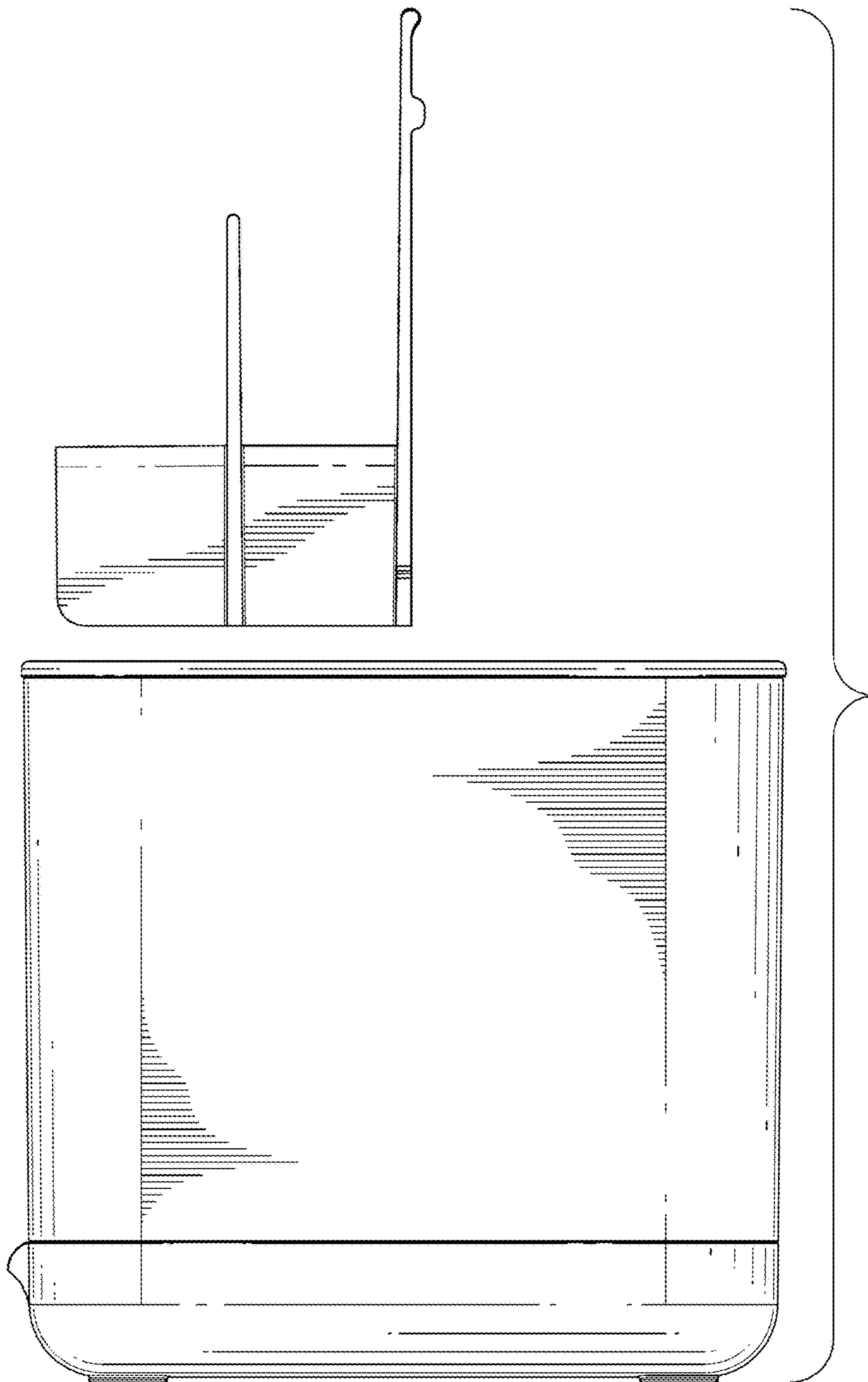


FIG. 9

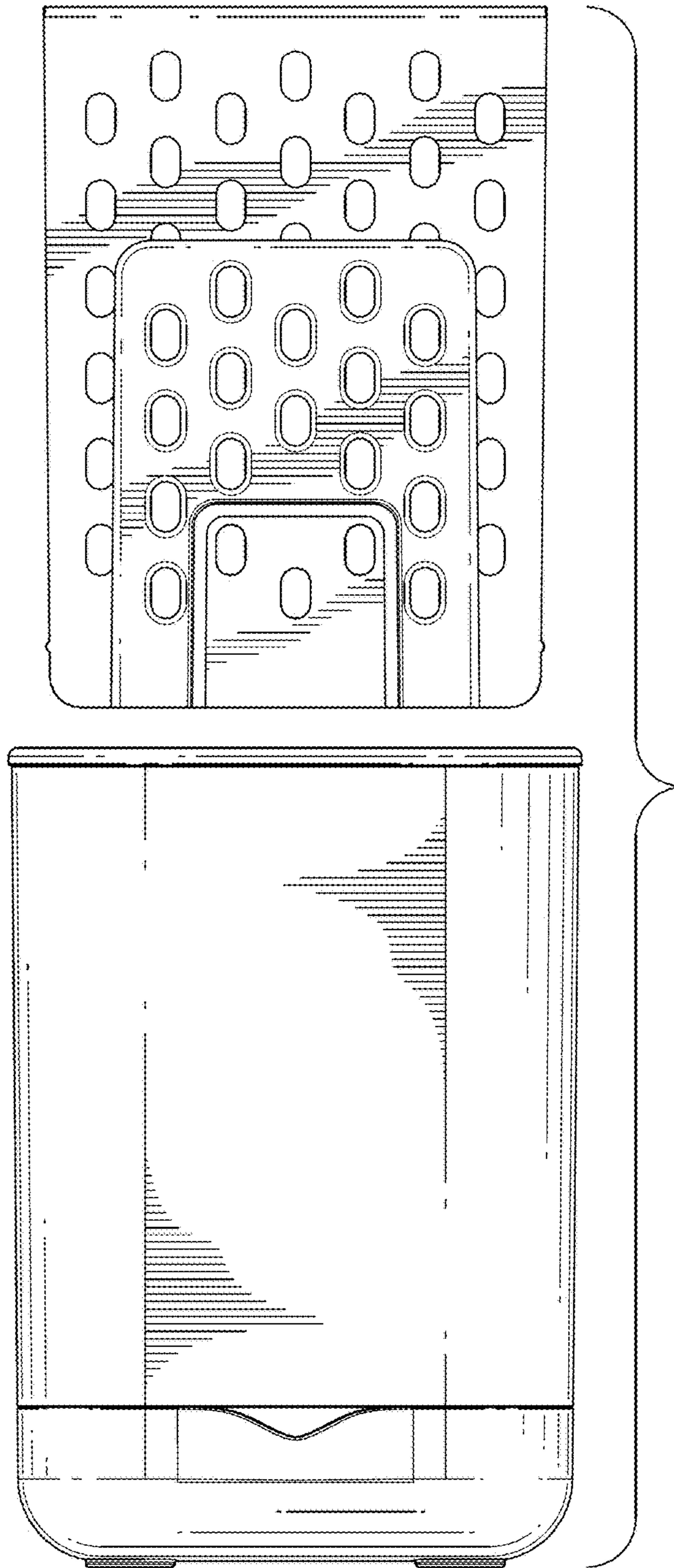


FIG. 10

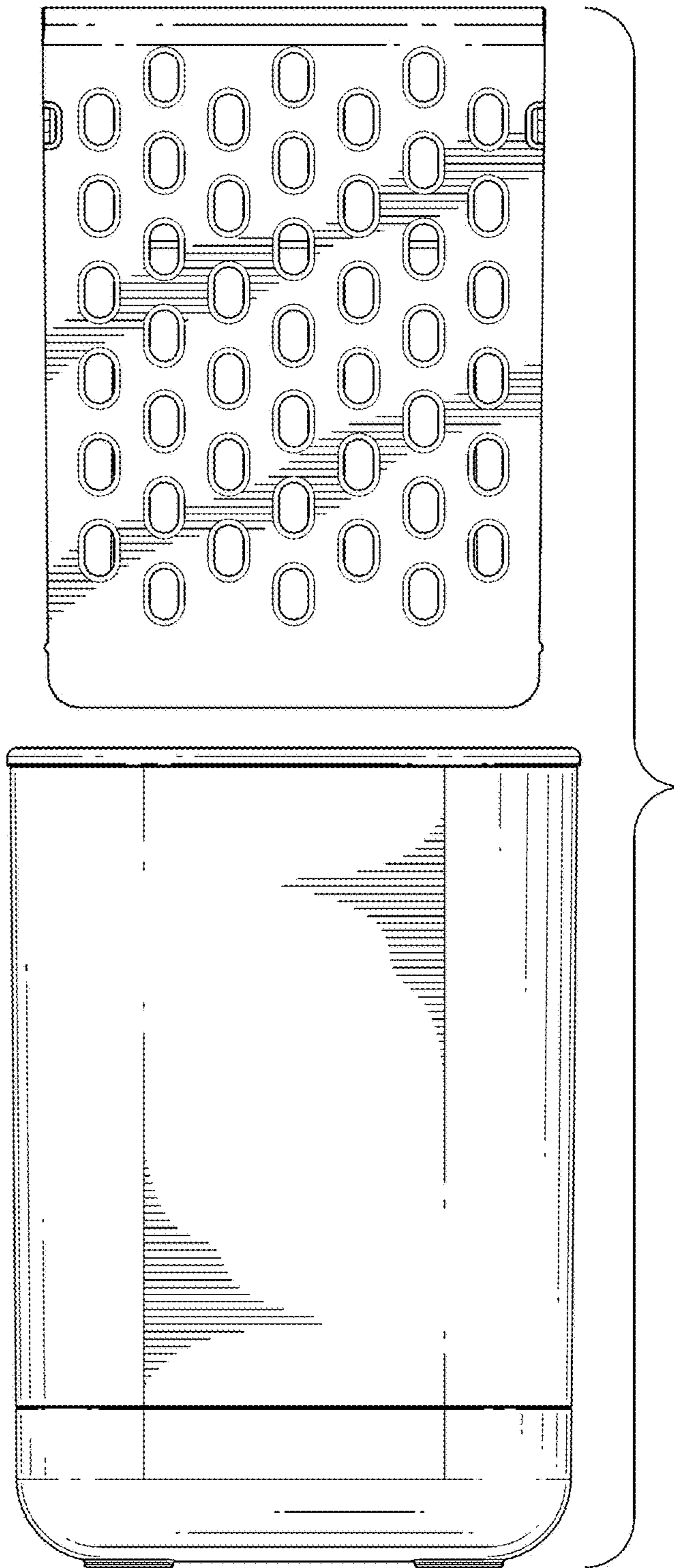


FIG. 11

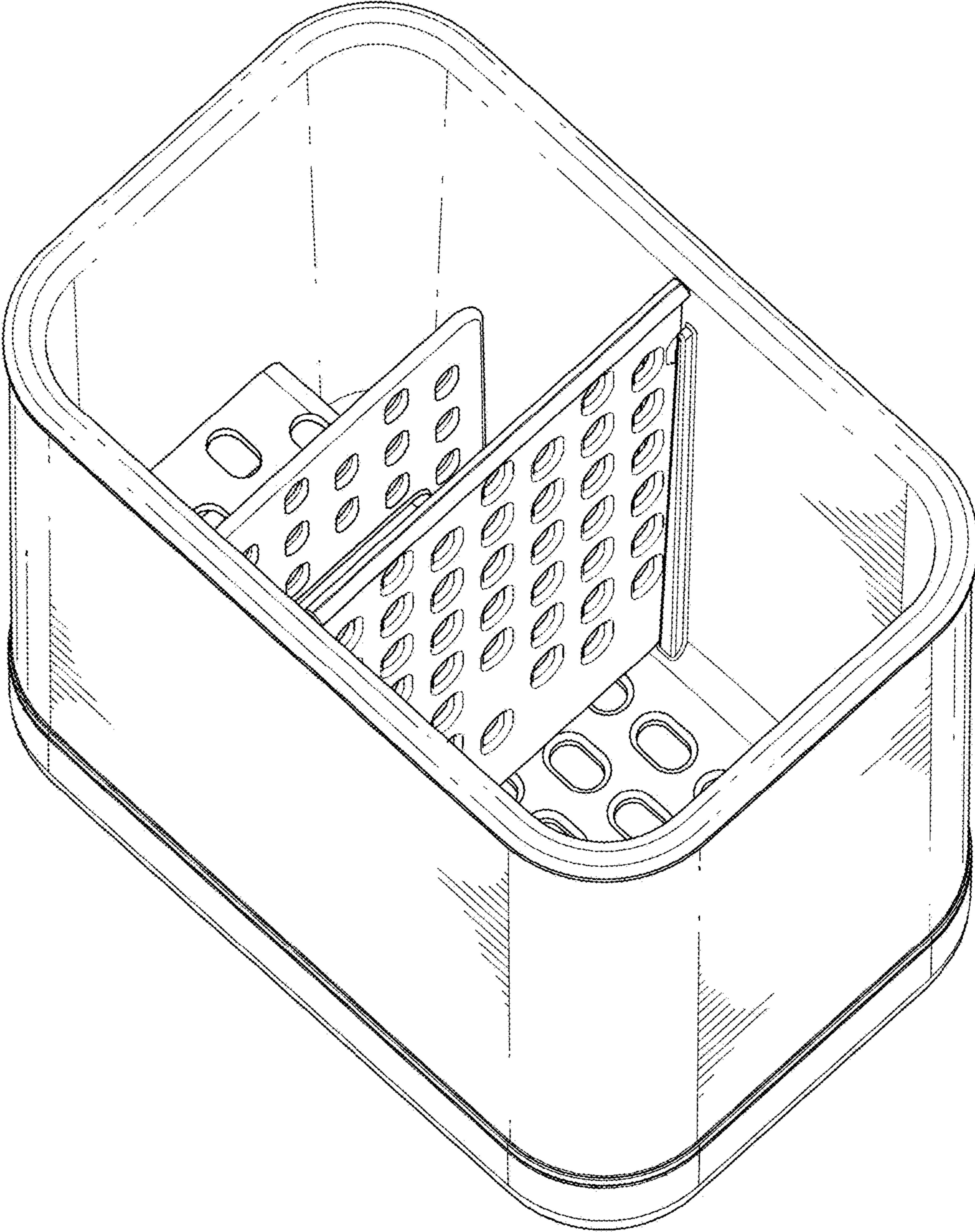


FIG. 12

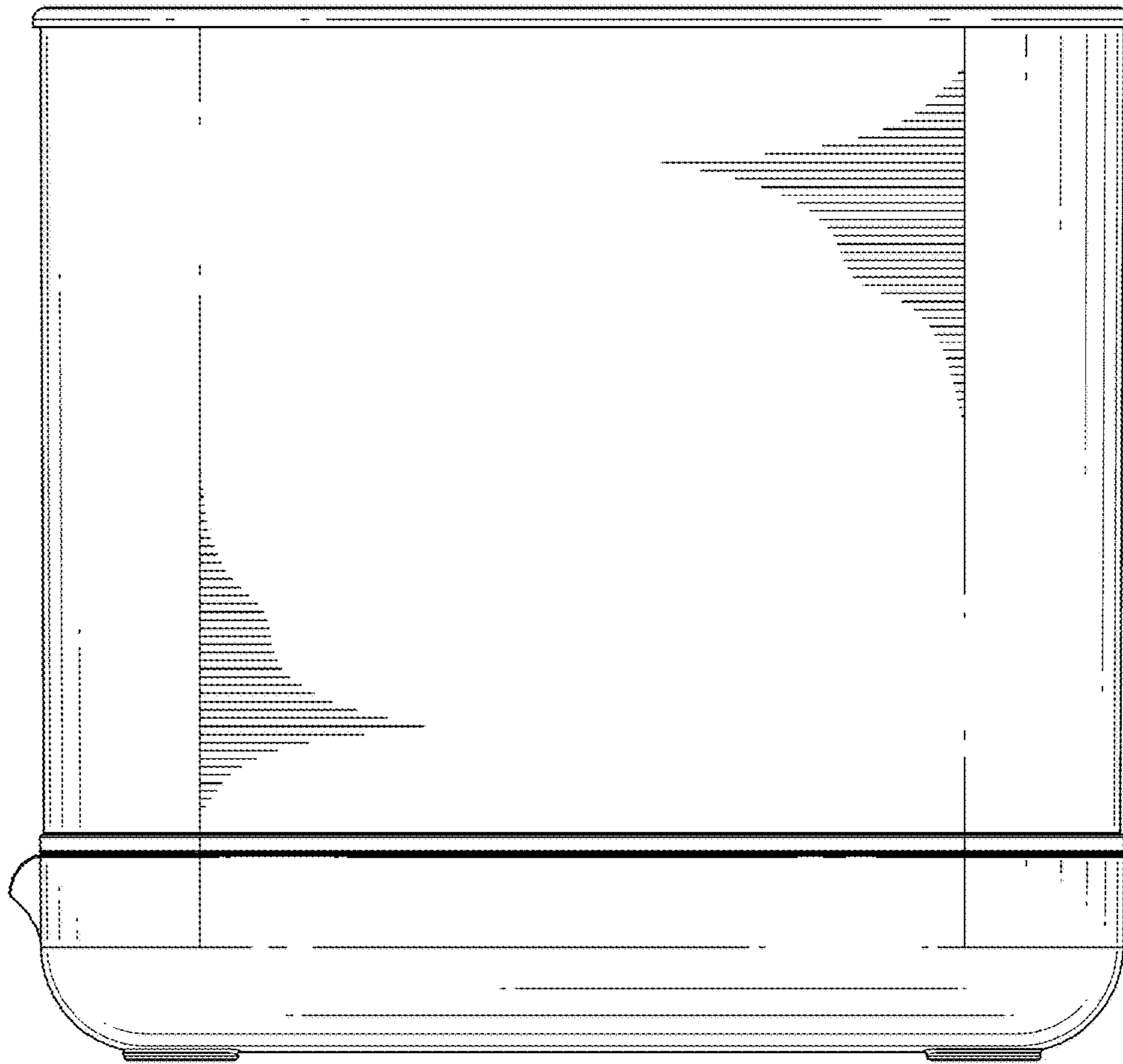


FIG. 13

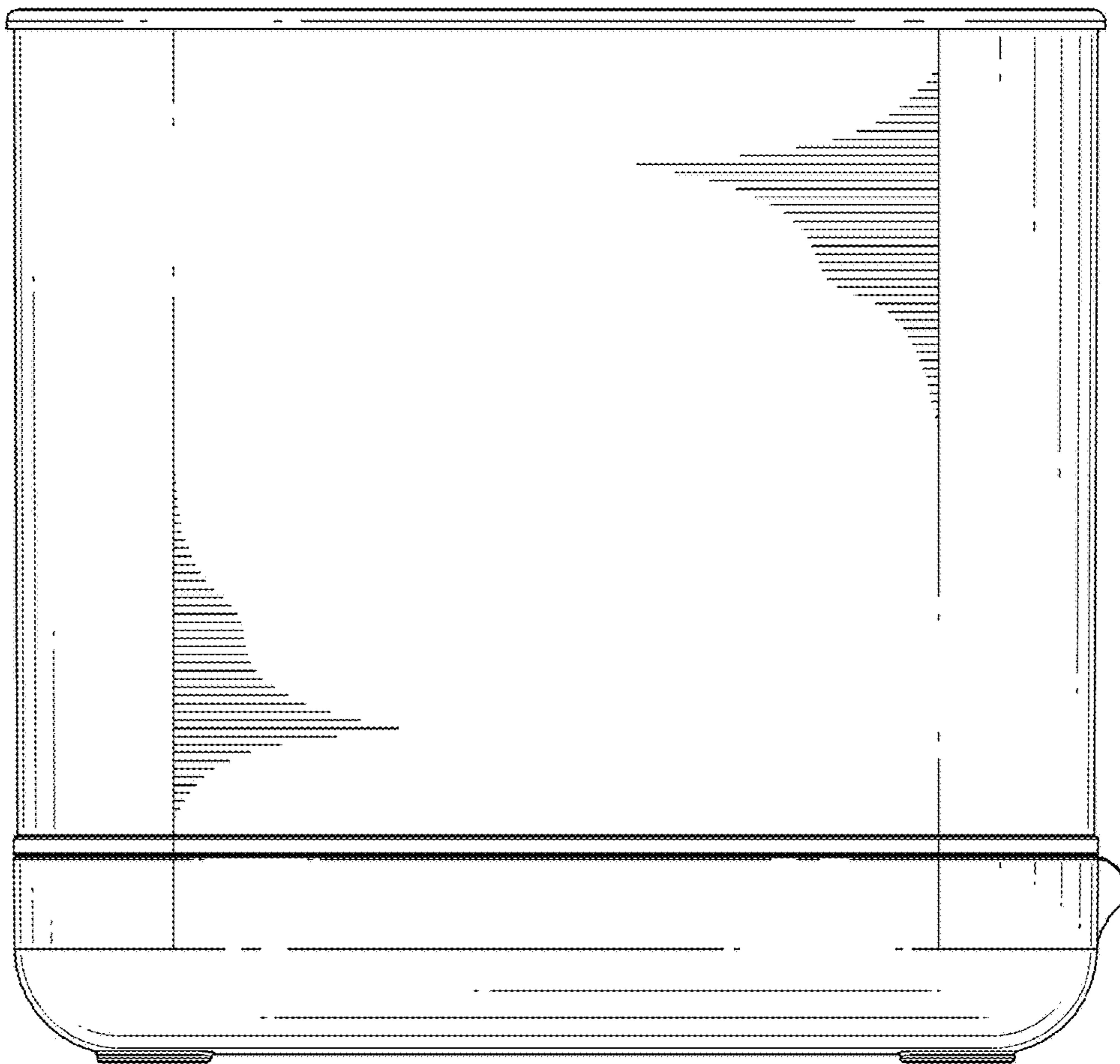


FIG. 14

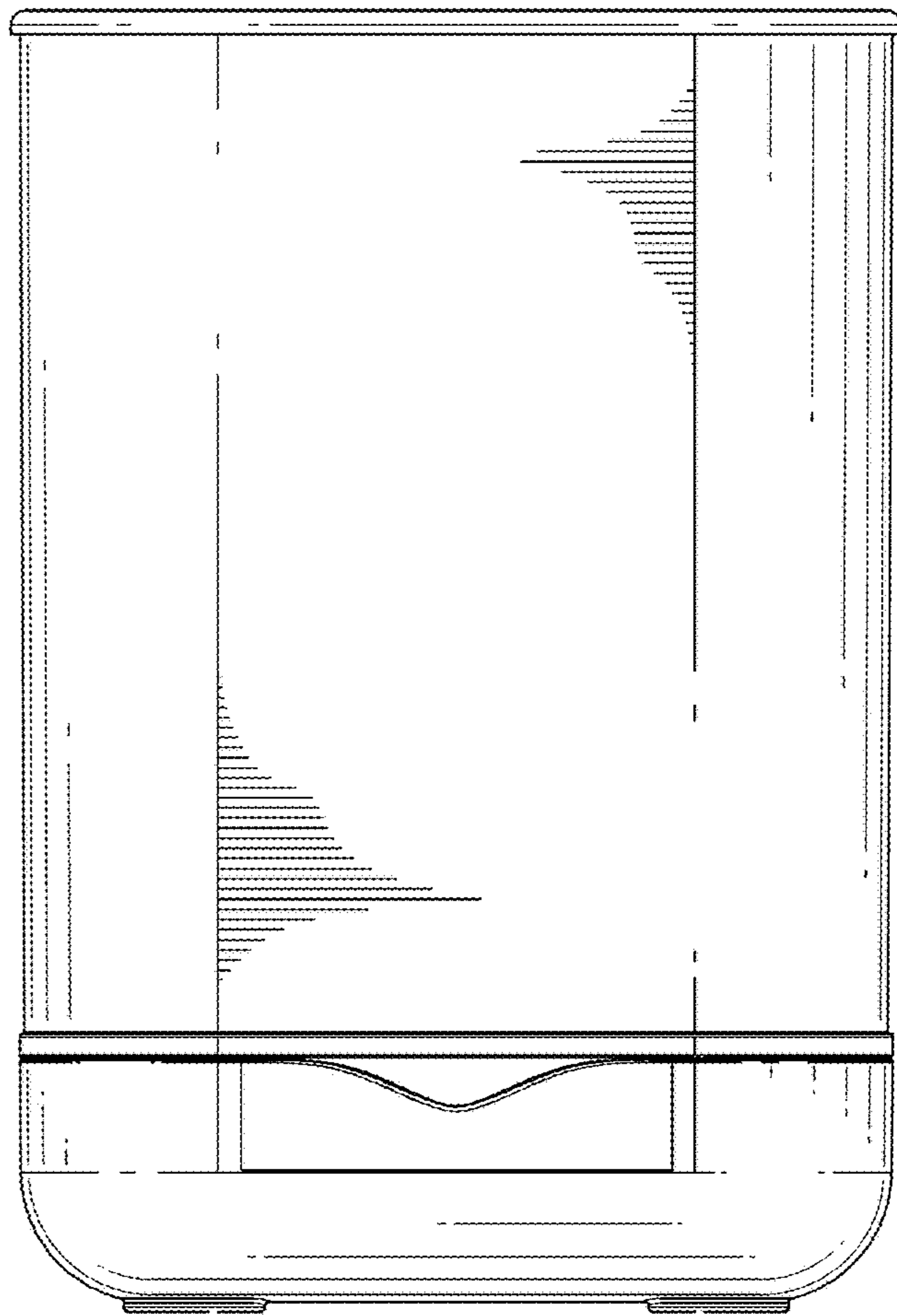


FIG. 15

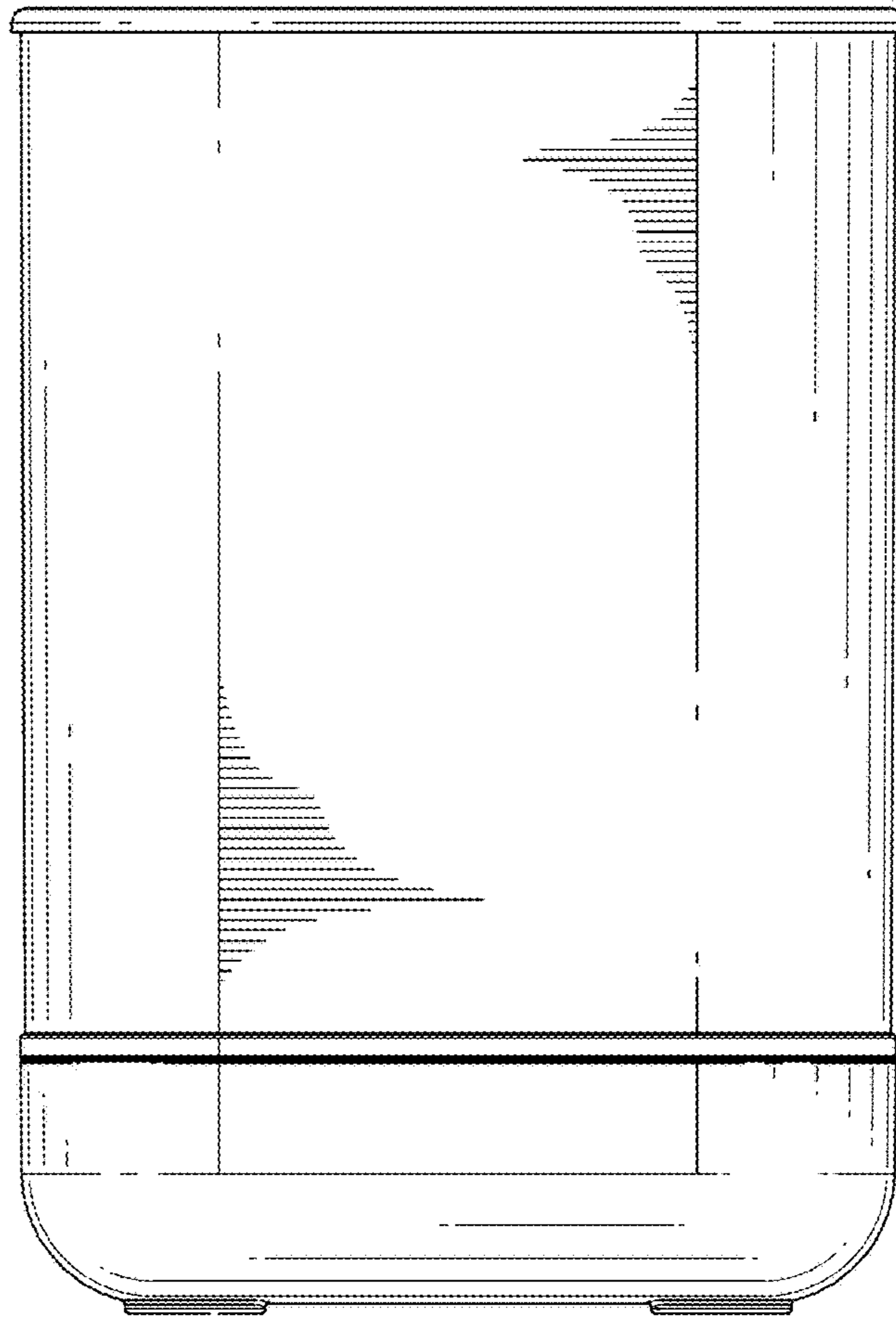


FIG. 16

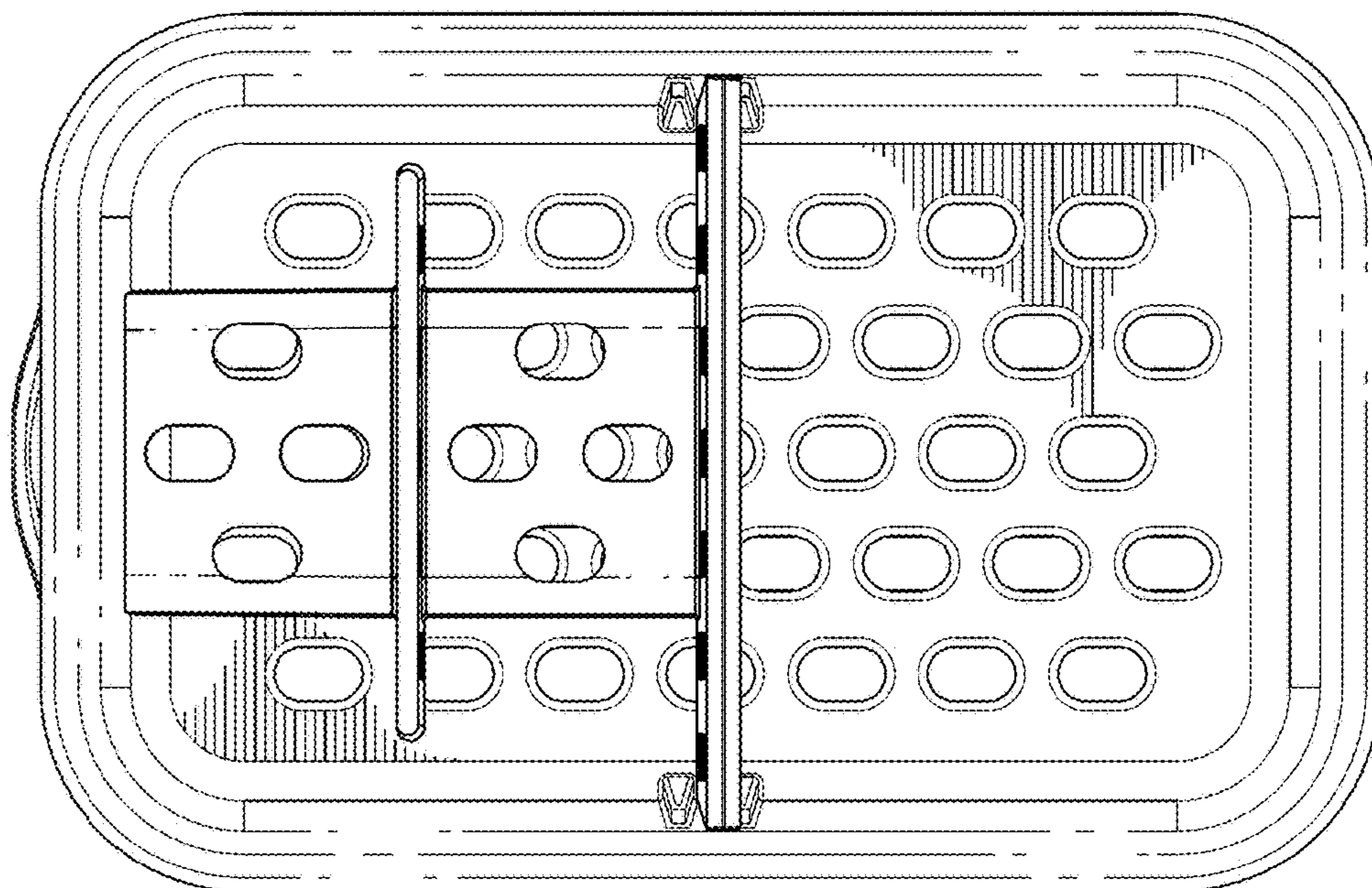


FIG. 17

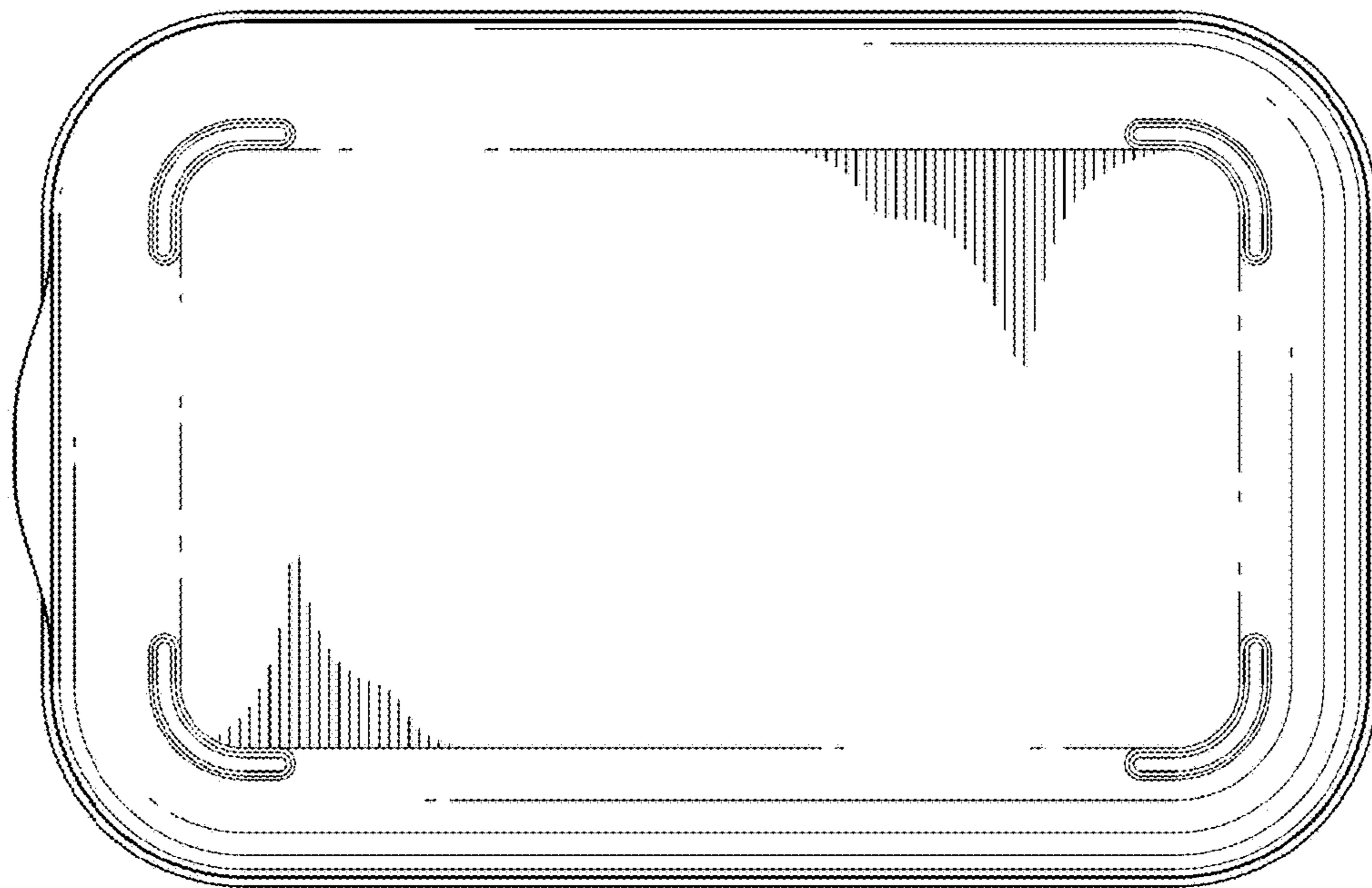


FIG. 18

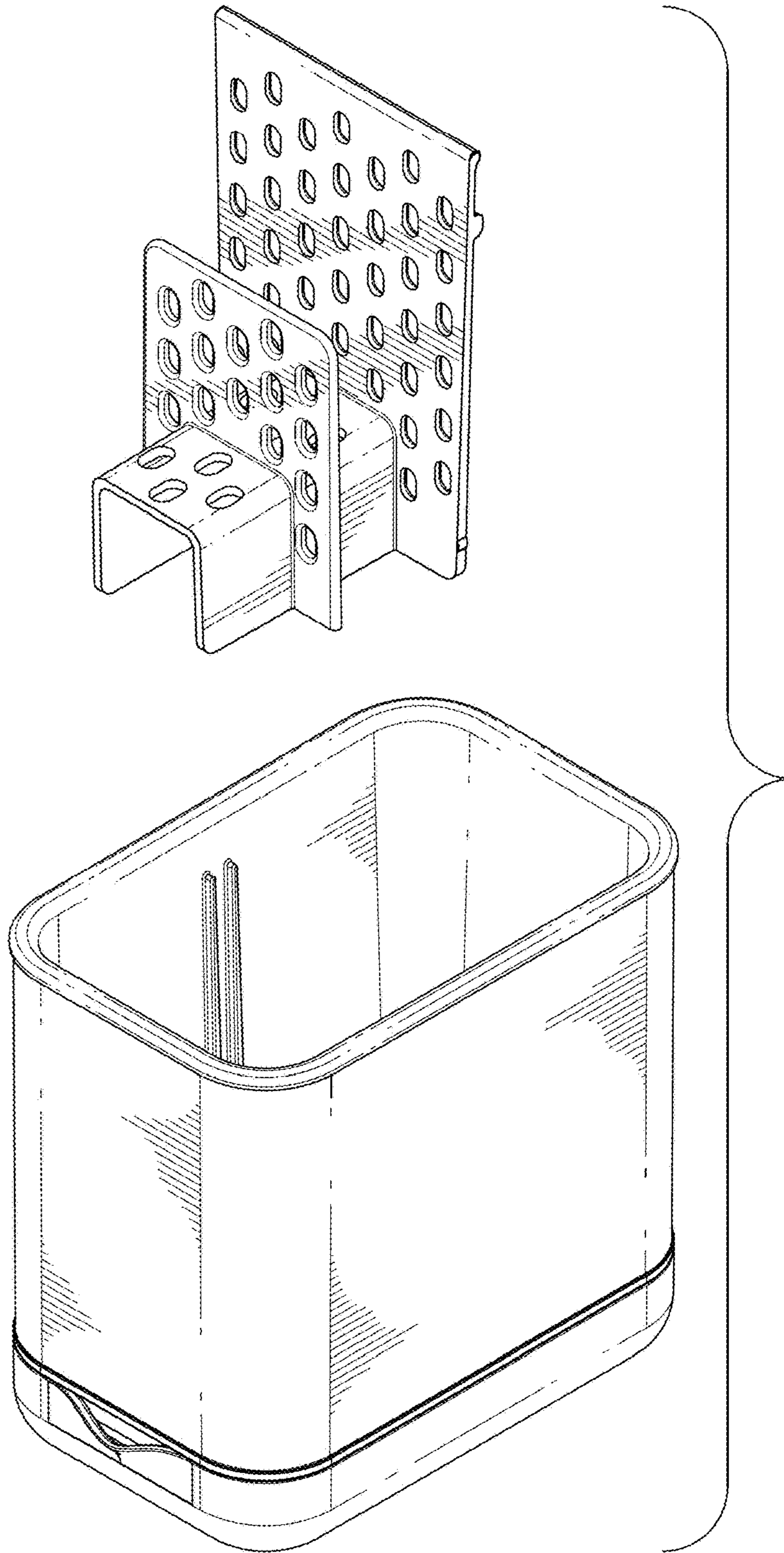


FIG. 19

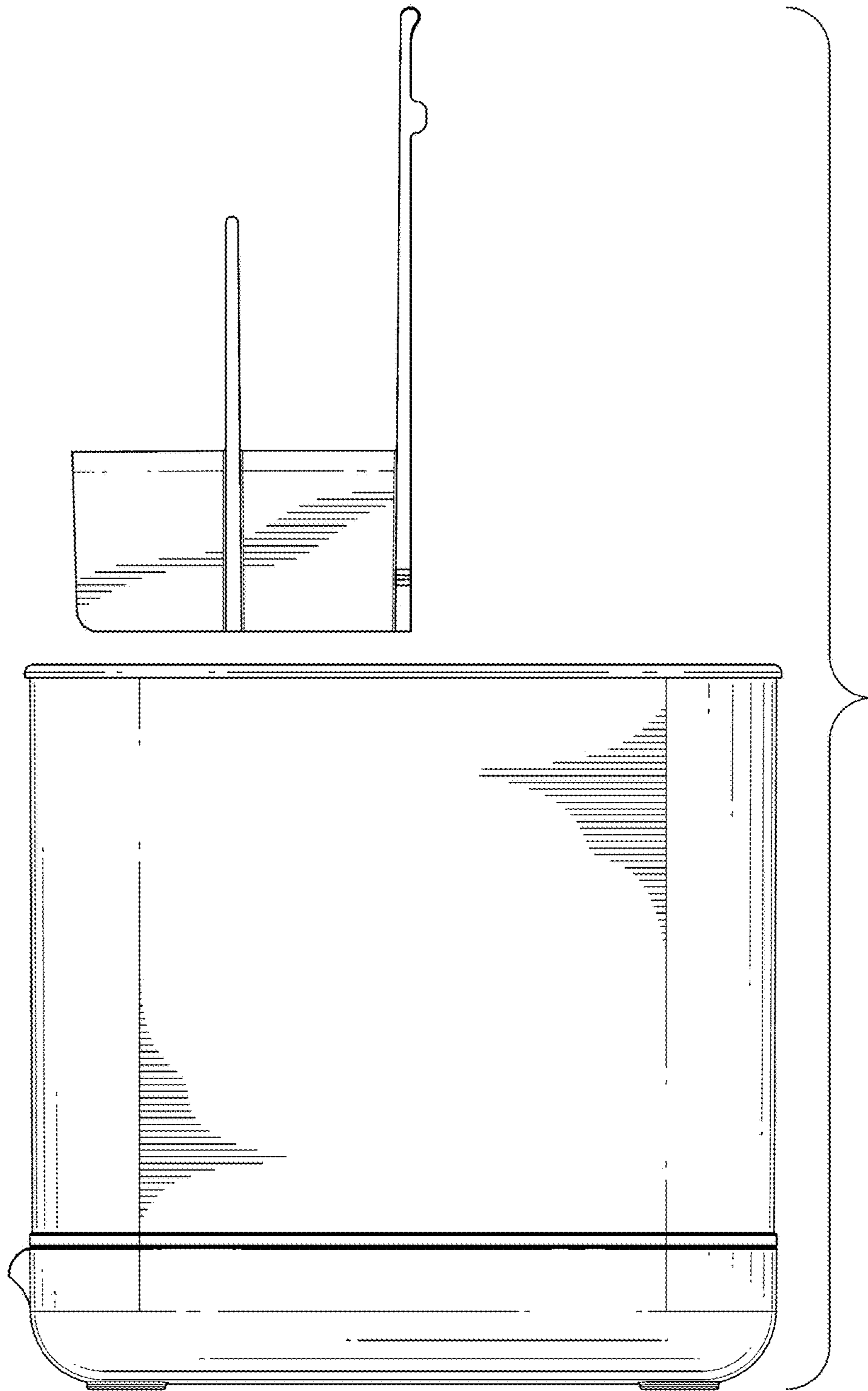


FIG. 20

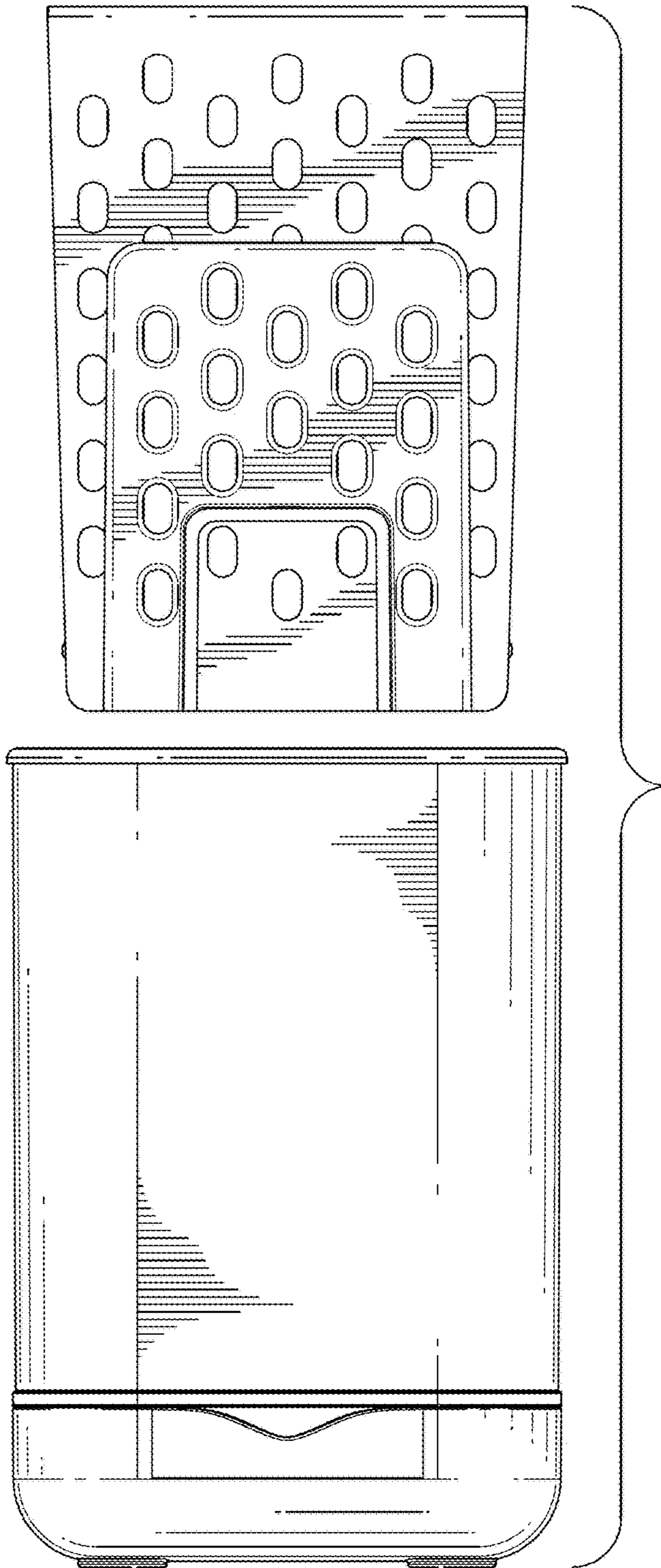


FIG. 21

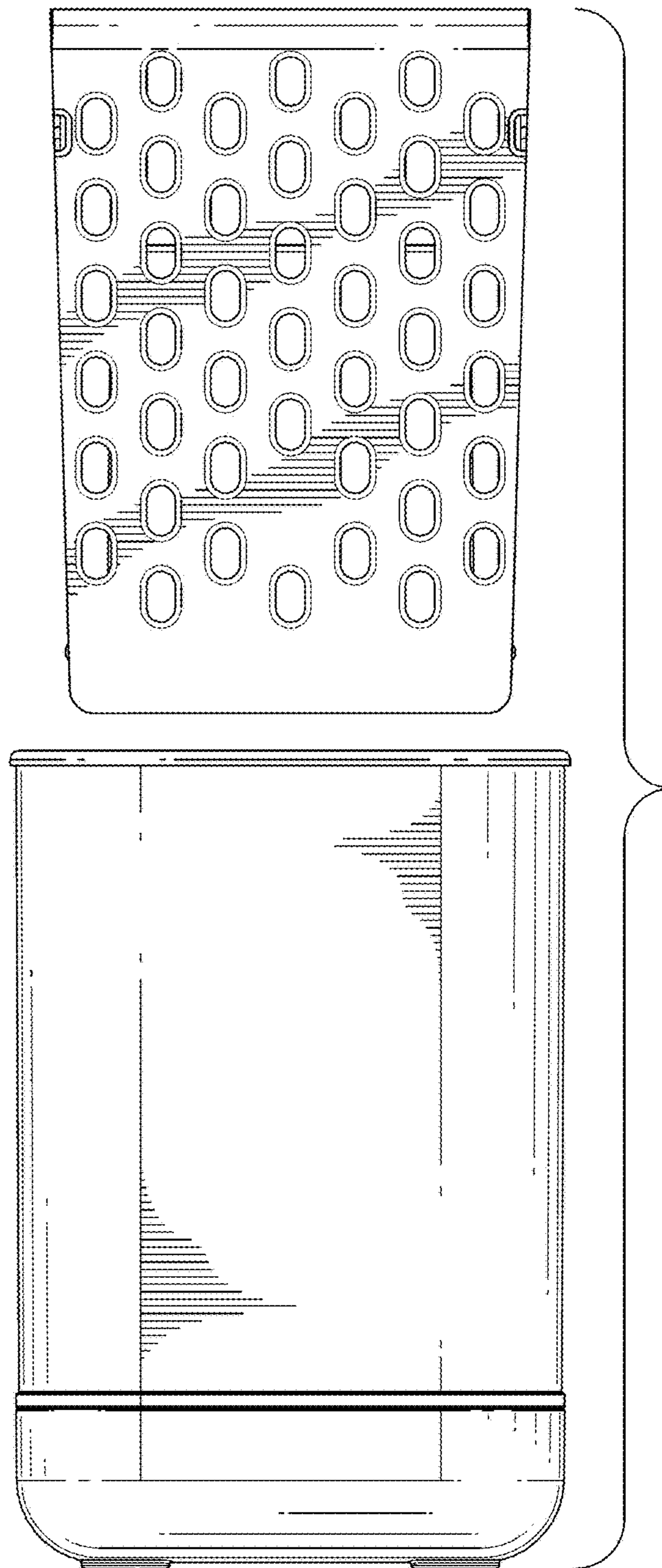


FIG. 22