



US00D833697S

(12) **United States Design Patent** (10) **Patent No.:** **US D833,697 S**
Choi et al. (45) **Date of Patent:** **** Nov. 13, 2018**

(54) **DOOR COVER FOR WASHING MACHINE**

D700,409 S * 2/2014 Takahashi D32/25
D730,596 S 5/2015 Kim et al.
D730,601 S * 5/2015 Jinnam D32/25
D731,131 S * 6/2015 Ha D32/25

(Continued)

(71) Applicant: **Samsung Electronics Co., Ltd.**,
Suwon-si (KR)

(72) Inventors: **Jungah Choi**, Seoul (KR); **Jinnam Kim**, Seoul (KR); **Sung-Kyung Lee**, Seoul (KR)

(73) Assignee: **Samsung Electronics Co., Ltd.**,
Suwon-si (KR)

(**) Term: **15 Years**

(21) Appl. No.: **29/606,709**

(22) Filed: **Jun. 7, 2017**

(30) **Foreign Application Priority Data**

Mar. 23, 2017 (KR) 30-2017-0013519

(51) **LOC (11) Cl.** **15-05**

(52) **U.S. Cl.**
USPC **D32/25**

(58) **Field of Classification Search**

USPC D32/1, 5-10, 25
CPC .. D06F 2204/065; D06F 35/006; D06F 39/12;
D06F 39/00; D06F 49/06; D06F 37/26;
D06F 37/20; D06F 31/00; A47L 15/4418;
F16M 9/00

See application file for complete search history.

(56) **References Cited**

U.S. PATENT DOCUMENTS

D501,966 S * 2/2005 Hwang D32/25
D506,045 S * 6/2005 No D32/25
D515,260 S * 2/2006 Ha D32/25
D616,163 S * 5/2010 Nam D32/25
D622,918 S * 8/2010 Choi D32/25
D646,859 S * 10/2011 DeSalvo D32/25
D688,429 S * 8/2013 Meda D32/25
D688,430 S * 8/2013 Meda D32/25

FOREIGN PATENT DOCUMENTS

CN 201430545974 5/2015
CN 201430548371 5/2015

(Continued)

Primary Examiner — Michelle E. Wilson

(74) *Attorney, Agent, or Firm* — NSIP Law

(57) **CLAIM**

We claim the ornamental design for a door cover for washing machine, as shown and described.

DESCRIPTION

FIG. 1 is a front perspective view of a door cover for washing machine showing our new design;

FIG. 2 is a front view thereof;

FIG. 3 is a rear view thereof;

FIG. 4 is a left-side view thereof;

FIG. 5 is a right-side view thereof;

FIG. 6 is a top view thereof;

FIG. 7 is a bottom view thereof;

FIG. 8 is a cross-sectional view taken through line 8-8 of FIG. 2;

FIG. 9 is an enlarged view of the encircled portion shown in FIG. 3;

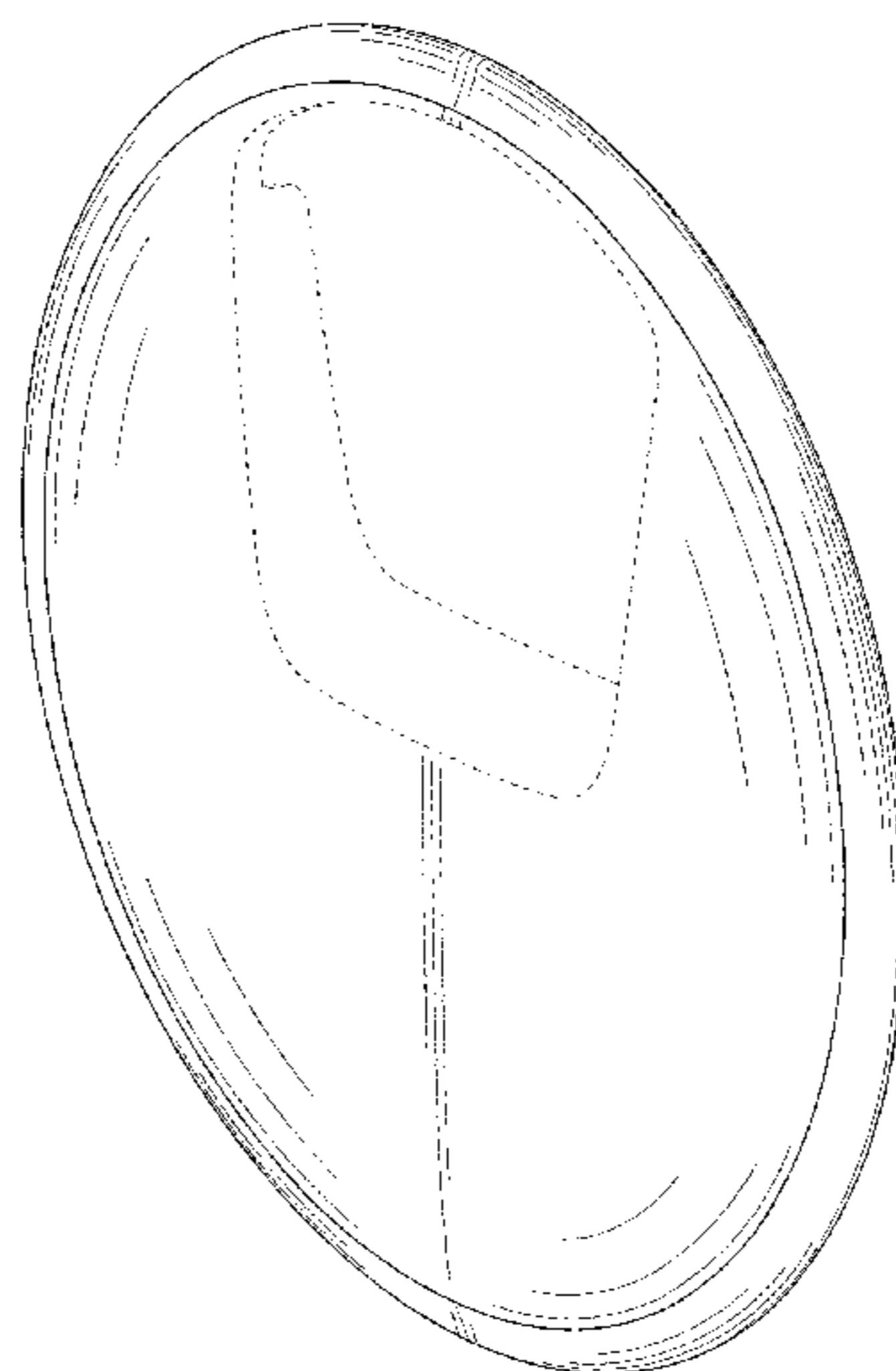
FIG. 10 is an enlarged view of the encircled portion shown in FIG. 8; and,

FIG. 11 is an enlarged view of the encircled portion shown in FIG. 8.

The broken lines in the figures depict environmental subject matter and form no part of the claimed design.

The dot-dash broken lines encircling enlargement portions of the design form no part of the claimed design.

1 Claim, 11 Drawing Sheets



(56)

References Cited

U.S. PATENT DOCUMENTS

D732,767	S *	6/2015	Ha	D32/25
D758,682	S *	6/2016	Kim	D32/25
D767,835	S *	9/2016	Ha	D32/25
D772,503	S *	11/2016	Yun	D32/25
D773,759	S *	12/2016	Yun	D32/25
D796,130	S *	8/2017	Ha	D32/25
D796,131	S *	8/2017	Ha	D32/25
D805,703	S *	12/2017	Yoon	D32/25
D816,927	S *	5/2018	Ha	D32/25
D819,284	S *	5/2018	Kim	D32/25
D821,045	S *	6/2018	Kim	D32/25
2009/0211313	A1 *	8/2009	Exler	D06F 37/04 68/142
2012/0036900	A1 *	2/2012	Hong	D06F 39/005 68/139
2016/0053423	A1 *	2/2016	Lee	D06F 37/10 8/137

FOREIGN PATENT DOCUMENTS

CN	201530254444	1/2016
WO	DM 083601	5/2014

* cited by examiner

FIG. 1

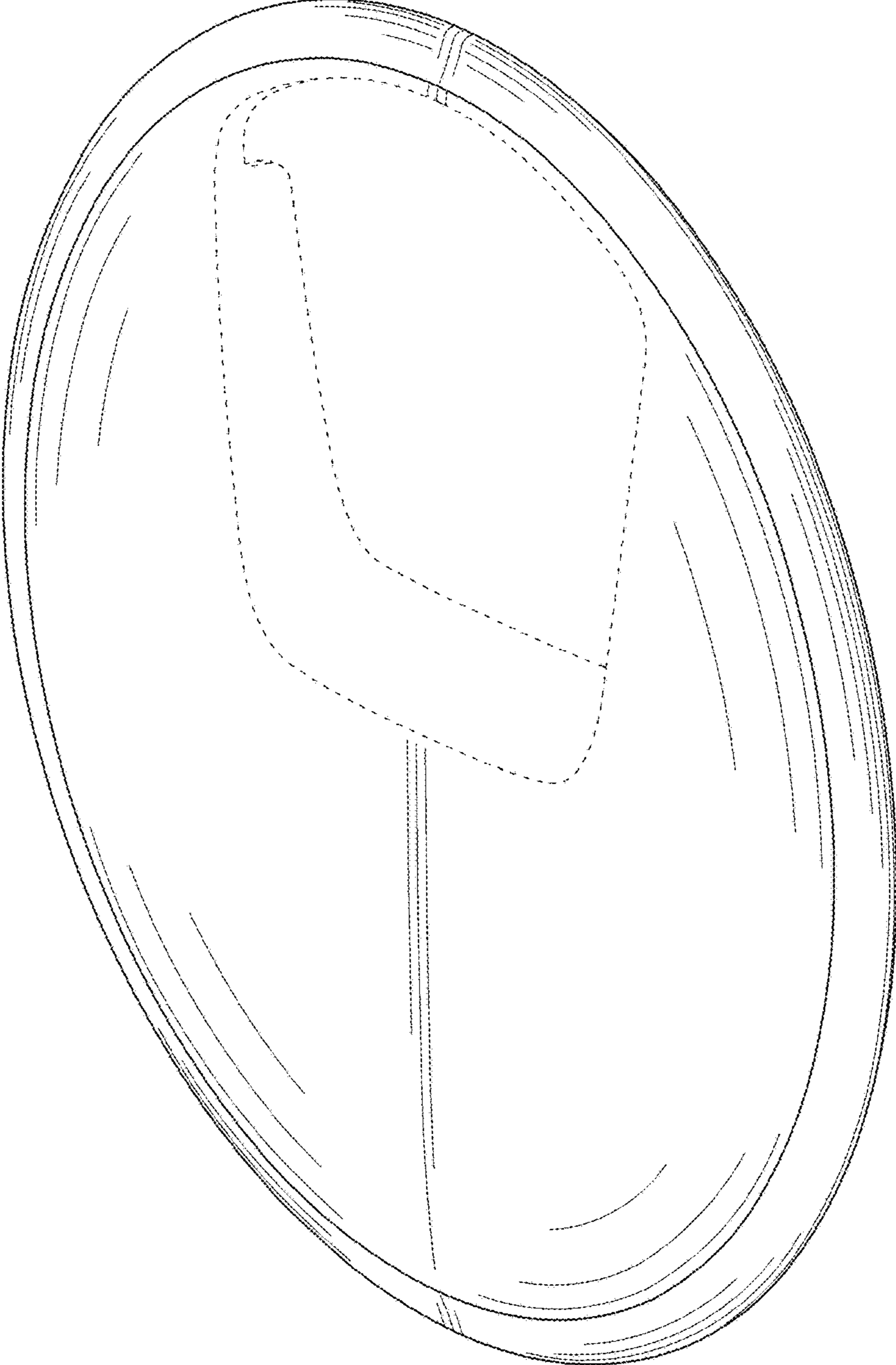


FIG. 2

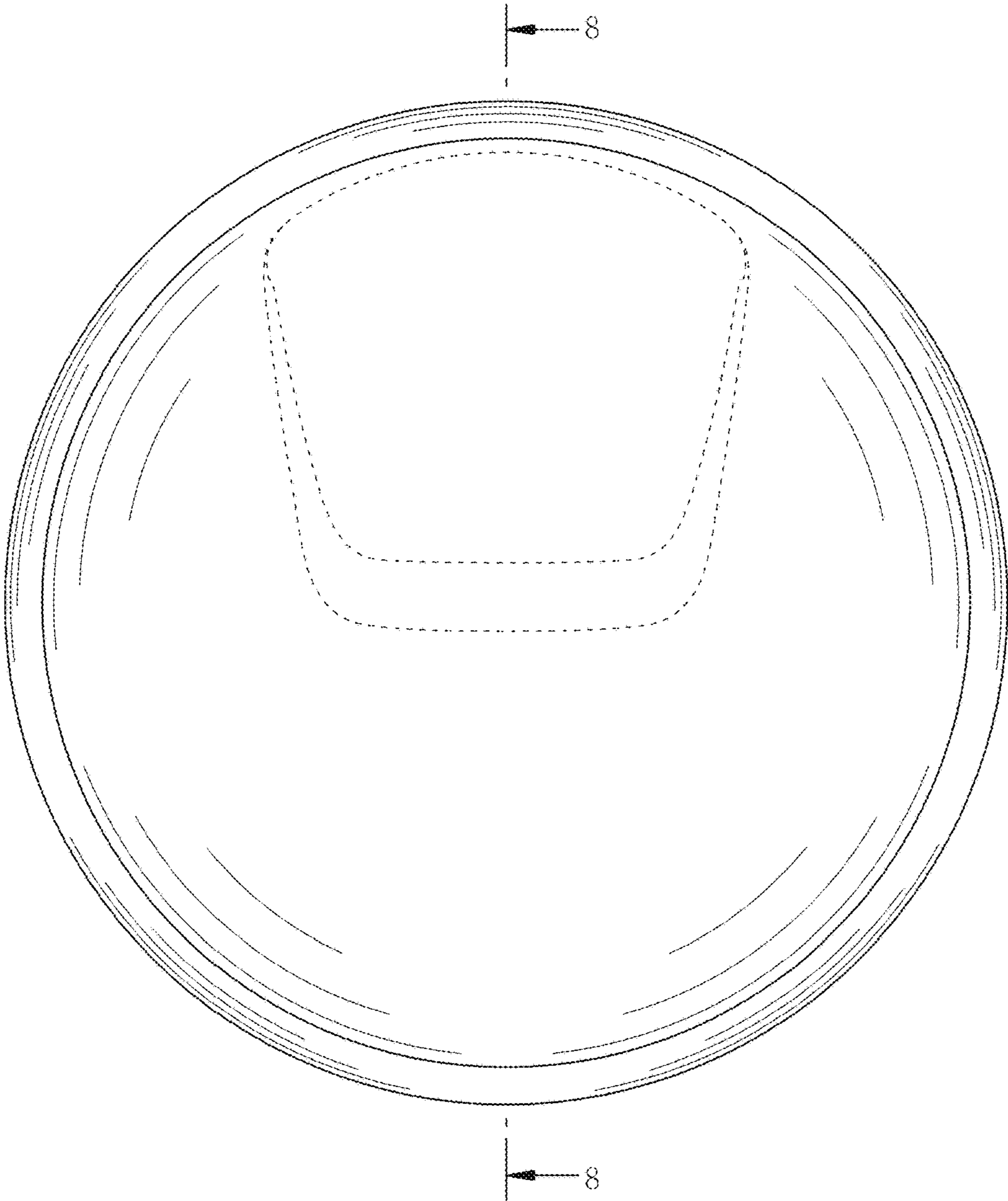


FIG. 3

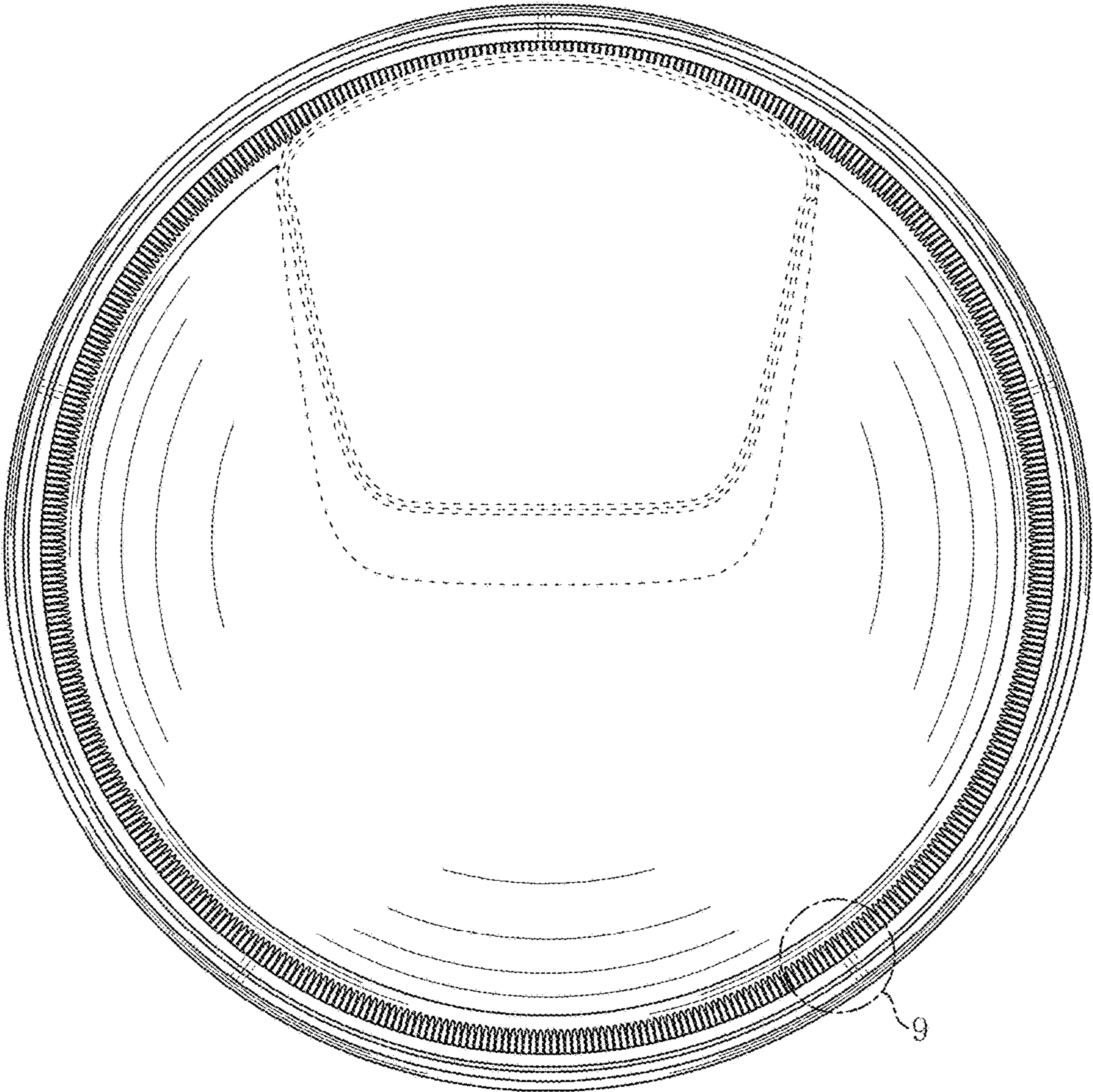


FIG. 4



FIG. 5

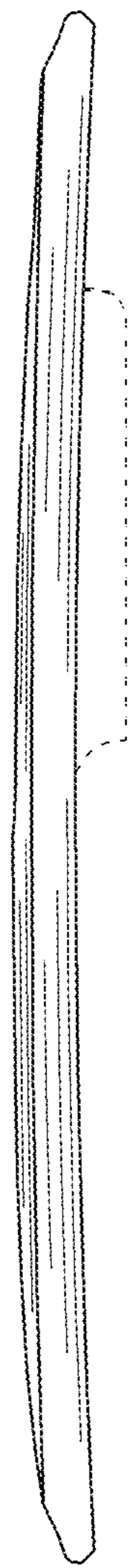


FIG. 6

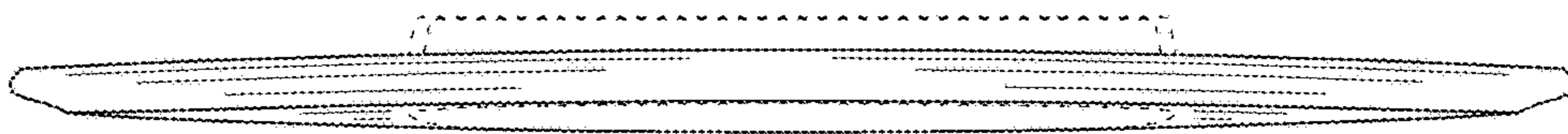


FIG. 7

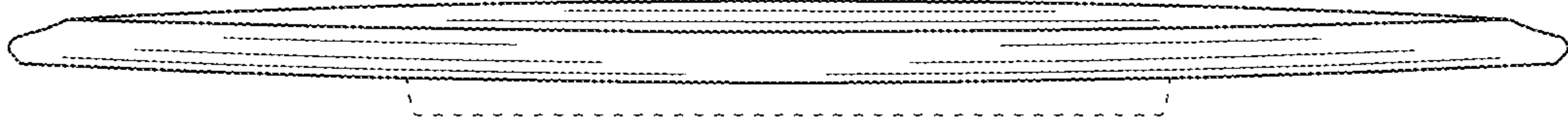


FIG. 8

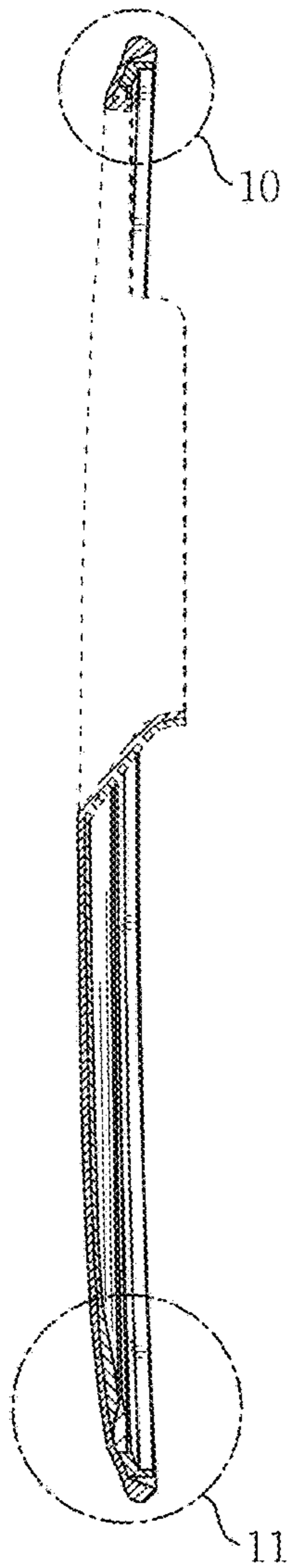


FIG. 9

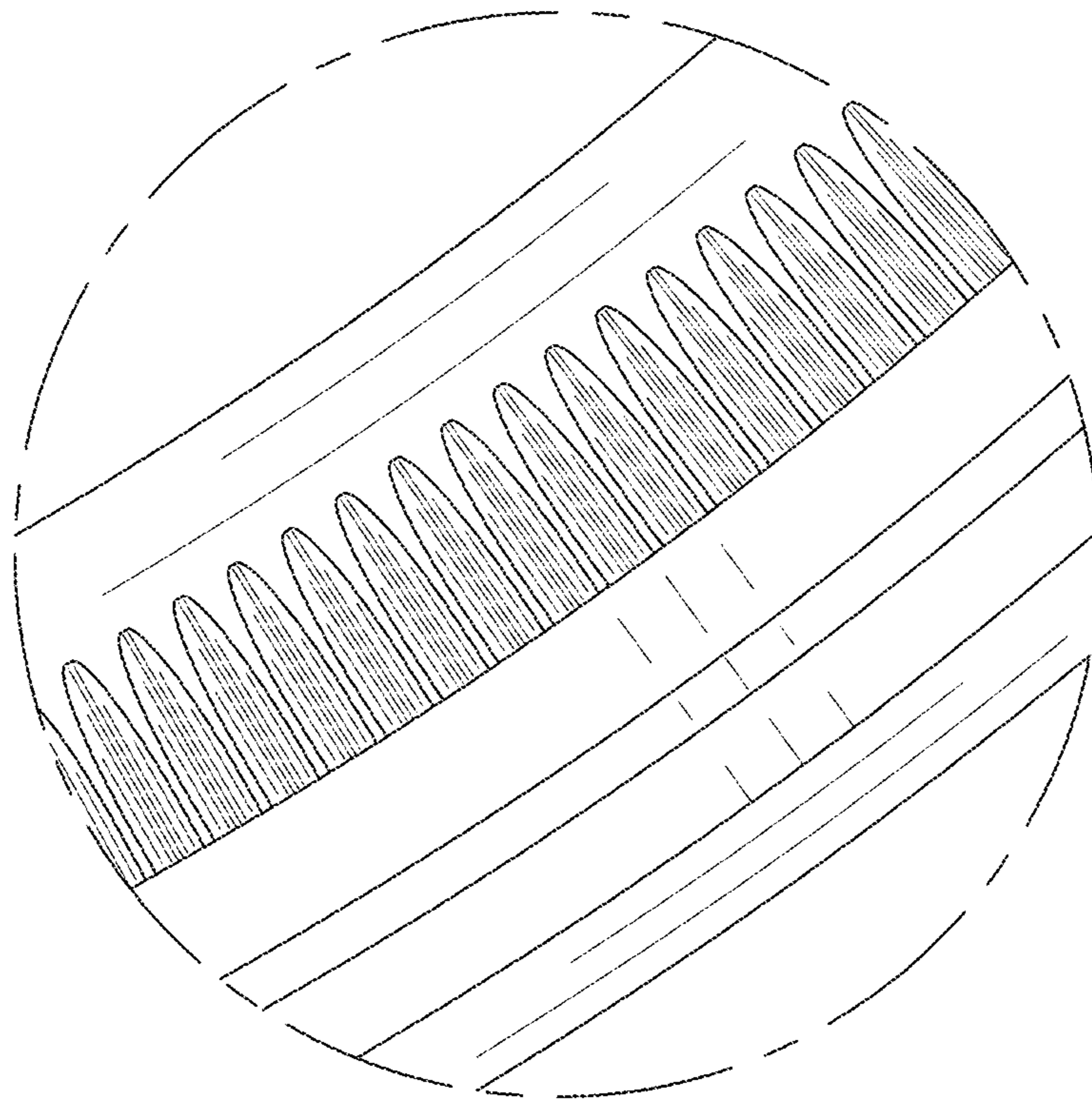


FIG. 10

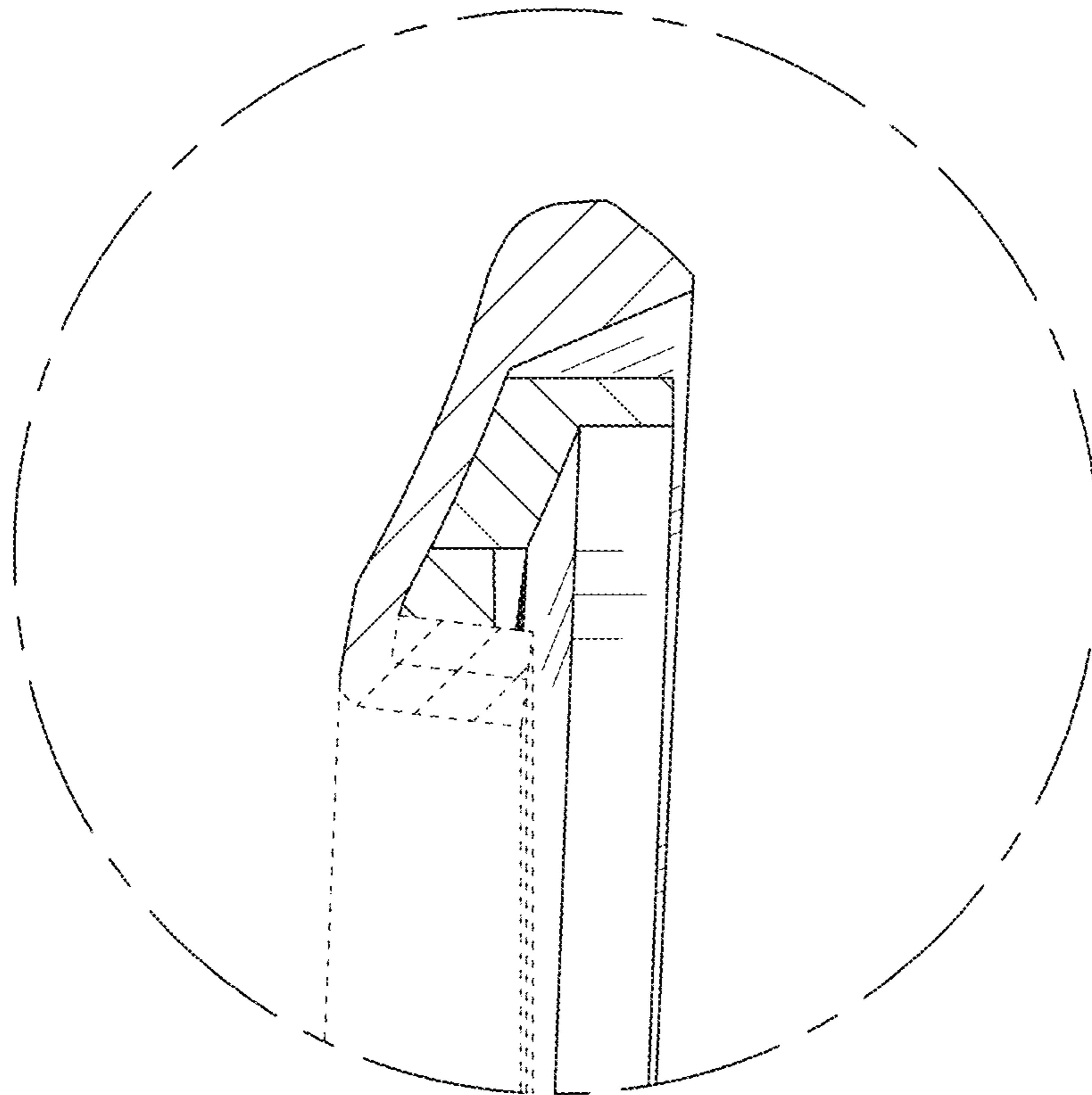


FIG. 11

