



US00D833696S

(12) **United States Design Patent** (10) **Patent No.:** **US D833,696 S**
Bearup et al. (45) **Date of Patent:** **** Nov. 13, 2018**

(54) **PRESSURE WASHER**
(71) Applicant: **Kärcher North America, Inc.**, Denver, CO (US)
(72) Inventors: **Adam Bearup**, Lakewood, CO (US); **Michael Rasmussen**, Denver, CO (US)
(73) Assignee: **Kärcher North America, Inc.**, Denver, CO (US)
(**) Term: **15 Years**

D742,080 S * 10/2015 Rigon D32/15
D749,805 S * 2/2016 Janik D32/16
D778,011 S * 1/2017 Alexander D32/16
D779,744 S * 2/2017 Weinberg D32/16
D779,745 S * 2/2017 Weinberg D32/16
D779,746 S * 2/2017 Weinberg D32/16
D804,750 S * 12/2017 Janik D32/16
2002/0122730 A1 * 9/2002 Dexter B08B 3/026
417/299
2004/0175278 A1 9/2004 Dexter et al.
2006/0038034 A1 * 2/2006 Hillary B05B 9/0855
239/146
2006/0102745 A1 * 5/2006 Dexter B05B 9/0855
239/146

(21) Appl. No.: **29/568,672**

(Continued)

(22) Filed: **Jun. 20, 2016**

FOREIGN PATENT DOCUMENTS

(51) **LOC (11) Cl.** **15-05**
(52) **U.S. Cl.**
USPC **D32/25**
(58) **Field of Classification Search**
USPC D32/16, 21, 15, 1, 25; D34/14, 19, 12;
D23/359, 202, 213, 223, 225, 226, 260;
D15/5
CPC B08B 3/026; B08B 3/028; B05B 1/12;
B05B 9/0855; B05B 1/00; B05B 1/1654;
B05B 9/007; B05B 9/0426; F04B 17/05;
F04B 49/24

CN 301410612 12/2010
CN 301617586 7/2011

(Continued)

Primary Examiner — Michelle E. Wilson
(74) *Attorney, Agent, or Firm* — Sheridan Ross P.C.

See application file for complete search history.

(57) **CLAIM**

The ornamental design for a pressure washer, as shown and described.

DESCRIPTION

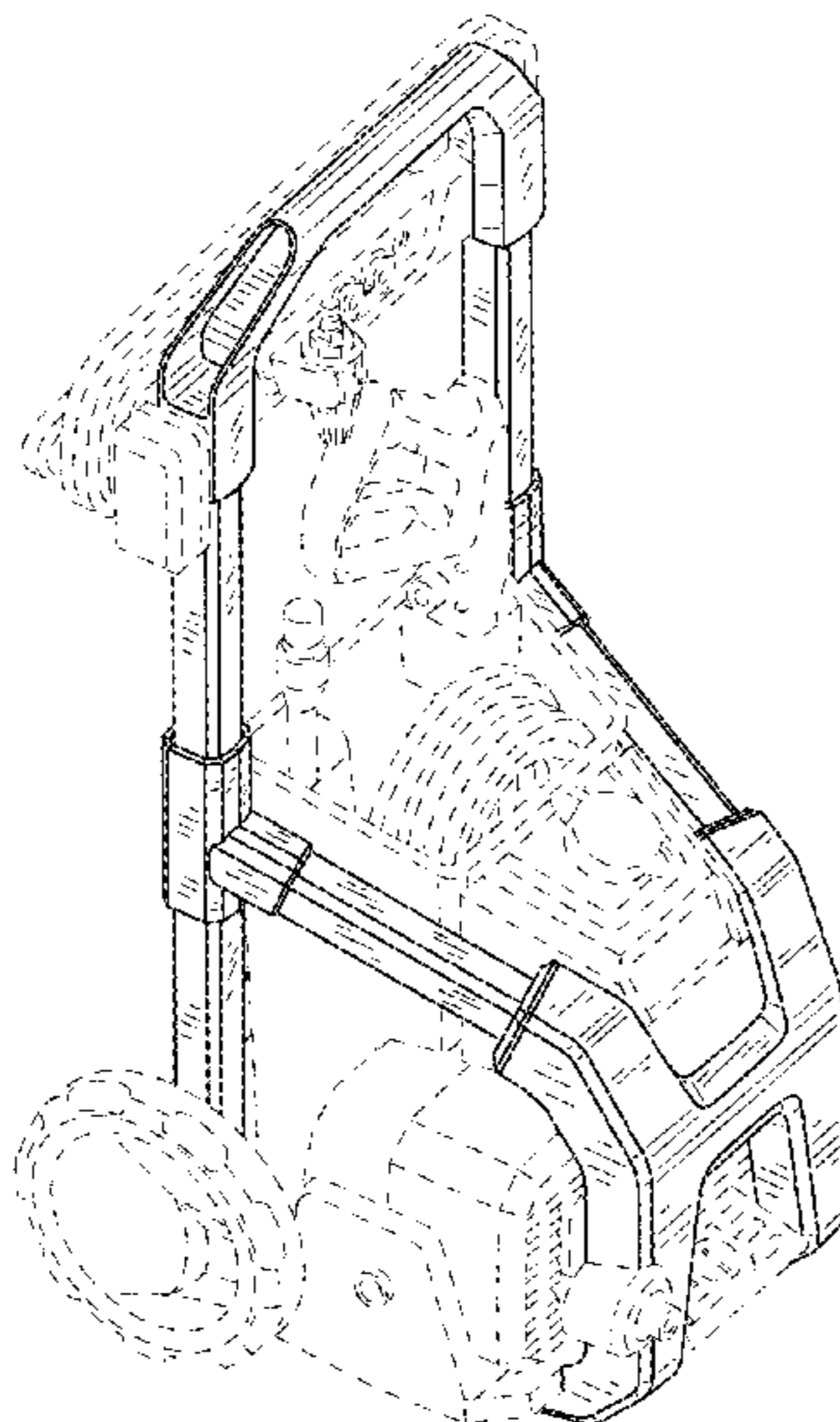
(56) **References Cited**

U.S. PATENT DOCUMENTS

D375,590 S * 11/1996 Steinhart D32/15
5,902,094 A * 5/1999 Hoenisch B08B 3/026
137/540
D499,848 S * 12/2004 Leasure D32/15
D532,942 S * 11/2006 Busschaert D32/15
7,516,910 B1 * 4/2009 DeWall B05B 9/01
239/525
D702,900 S * 4/2014 Kahan D32/16
D732,764 S * 6/2015 Kennard D32/15
D733,373 S * 6/2015 Kahan D32/16

FIG. 1 is a front perspective view of the pressure washer;
FIG. 2 is a front elevation view thereof;
FIG. 3 is a rear elevation view thereof;
FIG. 4 is a right elevation view thereof;
FIG. 5 is a left elevation view thereof;
FIG. 6 is a top plan view thereof; and,
FIG. 7 is a bottom plan view thereof.
The broken lines showing a pressure washer are included for the purpose of illustrating environment and form no part of the claimed design.

1 Claim, 7 Drawing Sheets



US D833,696 S

(56)	References Cited	CN	301641407	8/2011
		CN	301647577	8/2011
	U.S. PATENT DOCUMENTS	CN	301647624	8/2011
		CN	301728472	11/2011
2006/0118498	A1* 6/2006 Gilpatrick B08B 3/026	CN	301804702	1/2012
	211/70.6	CN	301846034	2/2012
2006/0131151	A1* 6/2006 Marchand B05B 9/01	CN	301846037	2/2012
	200/336	CN	301853689	3/2012
2006/0196967	A1* 9/2006 Monty B05B 1/00	CN	301853690	3/2012
	239/73	CN	301914585	5/2012
2008/0245899	A1* 10/2008 Parris F04B 17/05	CN	301914592	5/2012
	239/526	CN	301954320	6/2012
2009/0317262	A1* 12/2009 Gilpatrick B08B 3/026	CN	302054535	8/2012
	417/34	CN	302054537	8/2012
2010/0006668	A1* 1/2010 Alexander B08B 3/026	CN	302110928	10/2012
	239/129	CN	302190707	11/2012
2010/0206964	A1* 8/2010 Li F04B 17/03	CN	302190708	11/2012
	239/398	CN	302279714	1/2013
2010/0282862	A1* 11/2010 Gilpatrick B08B 3/026	CN	302476567	6/2013
	239/88	CN	302504858	7/2013
2011/0081260	A1* 4/2011 Klika F04B 17/05	CN	302510998	7/2013
	417/364	CN	302631121	11/2013
2011/0081261	A1* 4/2011 Klika B08B 3/026	CN	302781250	4/2014
	417/364	CN	302781253	4/2014
2011/0171045	A1* 7/2011 Gilpatrick F04B 9/042	CN	302797833	4/2014
	417/273	CN	302803690	4/2014
2011/0315176	A1* 12/2011 Gilpatrick B08B 3/026	CN	302836514	6/2014
	134/57 R	CN	302889045	7/2014
2012/0018534	A1* 1/2012 Gilpatrick B05B 7/0876	CN	302889046	7/2014
	239/310	CN	302889056	7/2014
2014/0119949	A1* 5/2014 Wischstadt B08B 3/026	CN	302909951	8/2014
	417/34	CN	302949437	9/2014
2014/0251390	A1* 9/2014 Khan B08B 3/026	CN	302960563	10/2014
	134/99.2	CN	303020017	12/2014
2014/0252138	A1* 9/2014 Wischstadt B05B 1/12	CN	303050393	12/2014
	239/589	CN	303082912	1/2015
2014/0263710	A1* 9/2014 Khan B05B 7/005	CN	303226201	5/2015
	239/11	CN	303348439	8/2015
2014/0263754	A1* 9/2014 Nushart B05B 1/1654	CN	303454333	11/2015
	239/442	CN	303454337	11/2015
2015/0306614	A1* 10/2015 Pierce B05B 9/007	CN	303454339	11/2015
	137/12	CN	303509141	12/2015
2016/0067726	A1* 3/2016 Gilpatrick B05B 7/32	CN	303532429	12/2015
	239/526	CN	303596938	2/2016
		KR	300553976	2/2010
	FOREIGN PATENT DOCUMENTS			

CN	301625438	7/2011
CN	301625439	7/2011

* cited by examiner

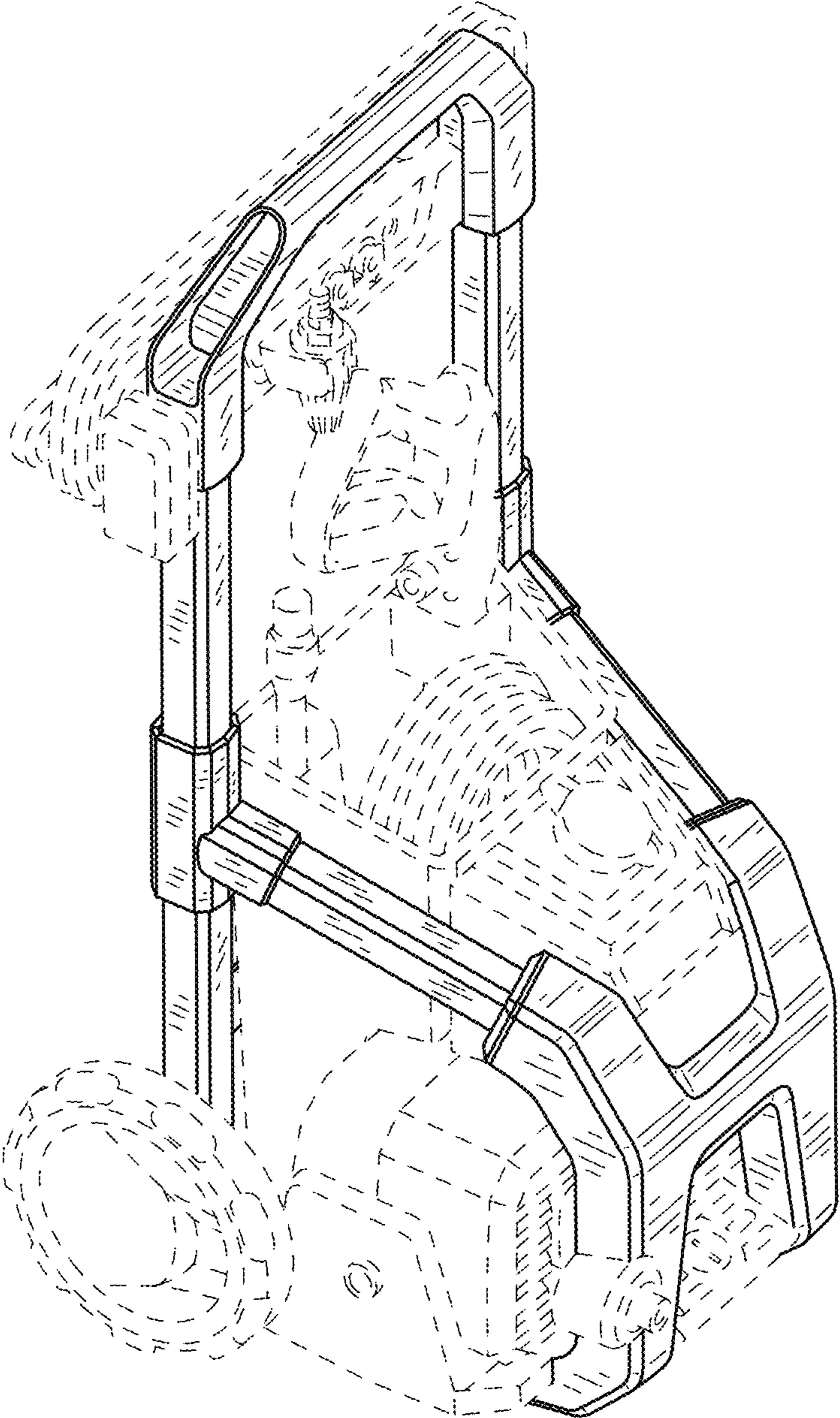


FIG.1

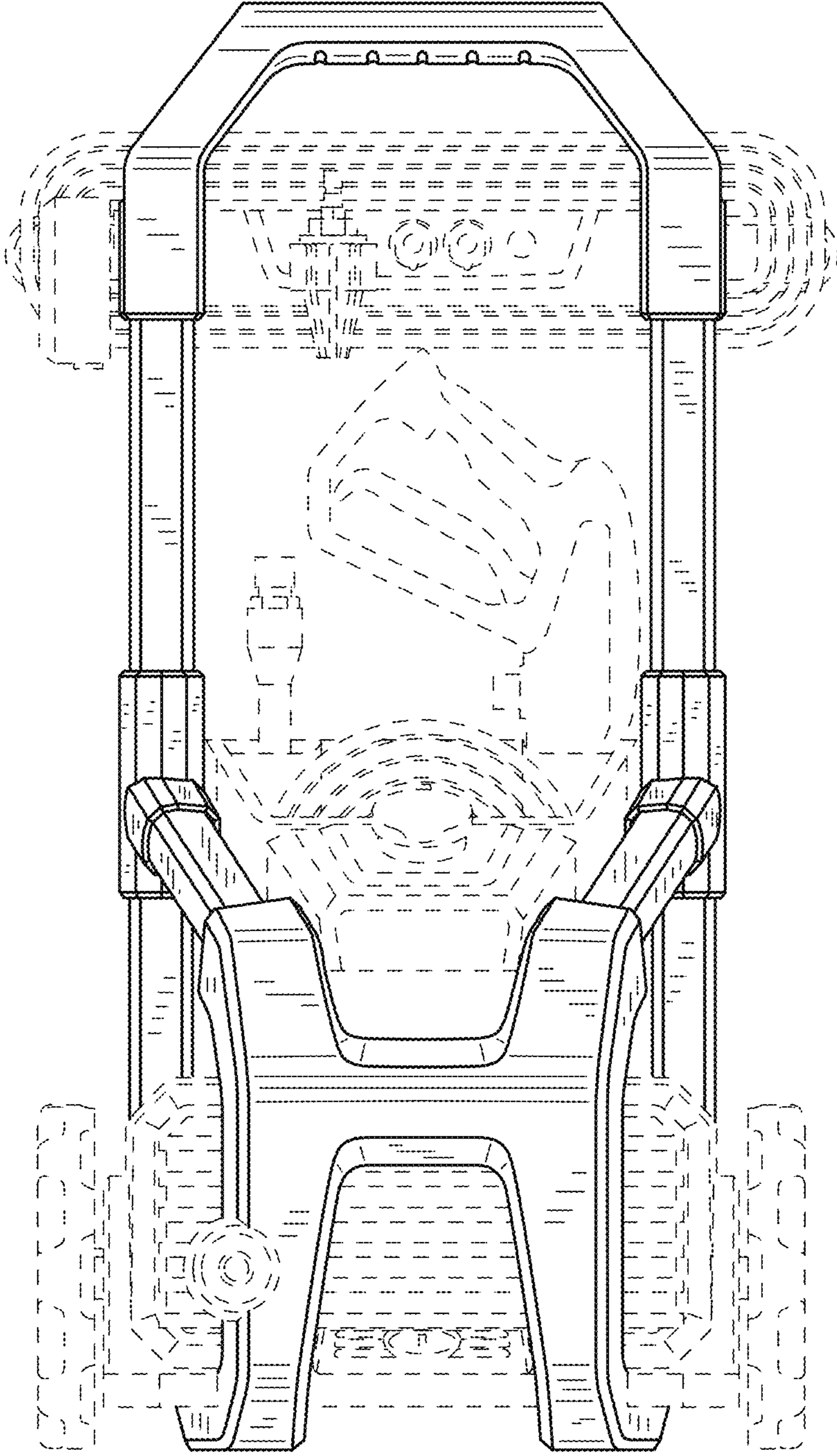


FIG.2

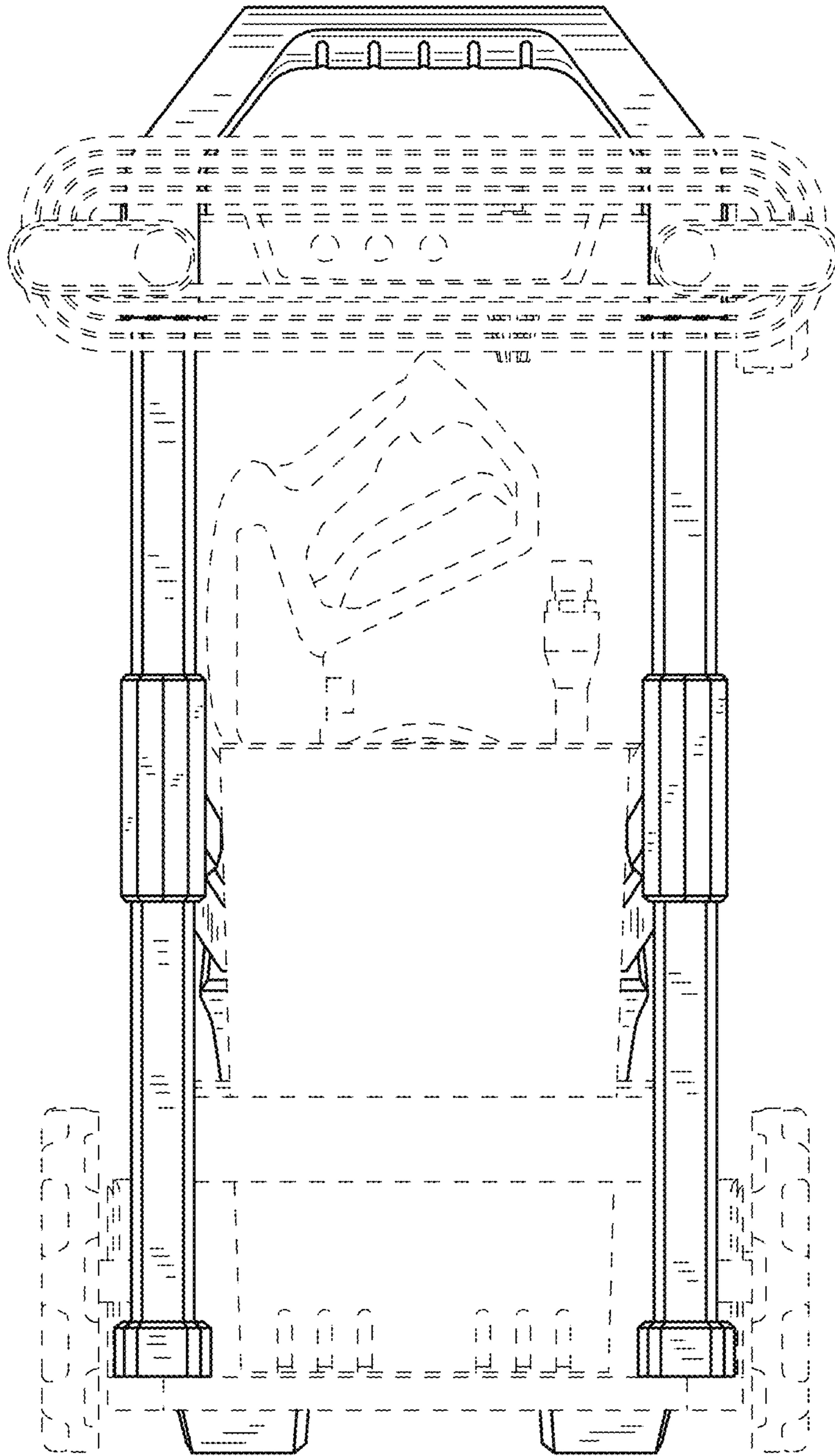


FIG.3

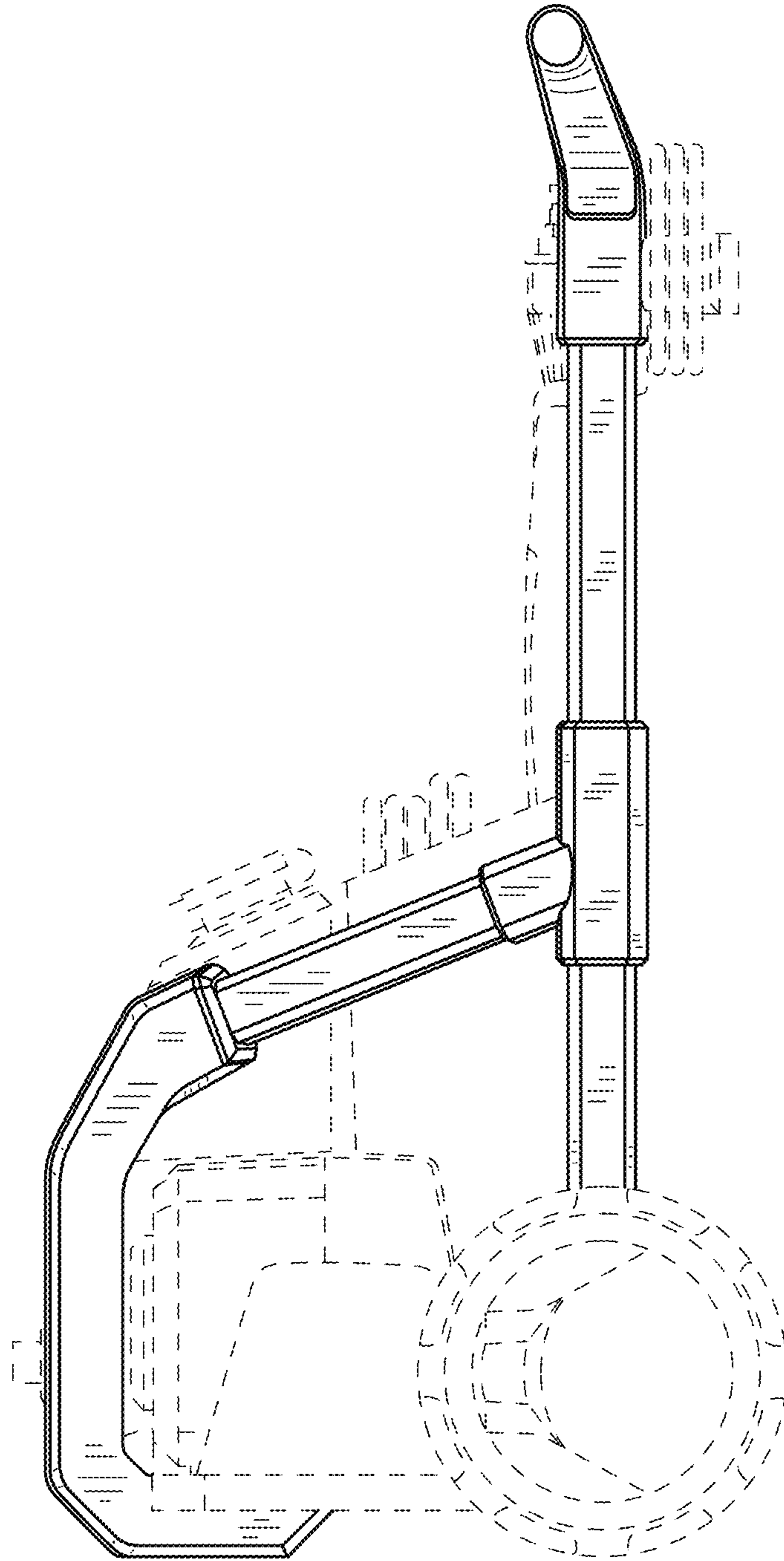


FIG.4

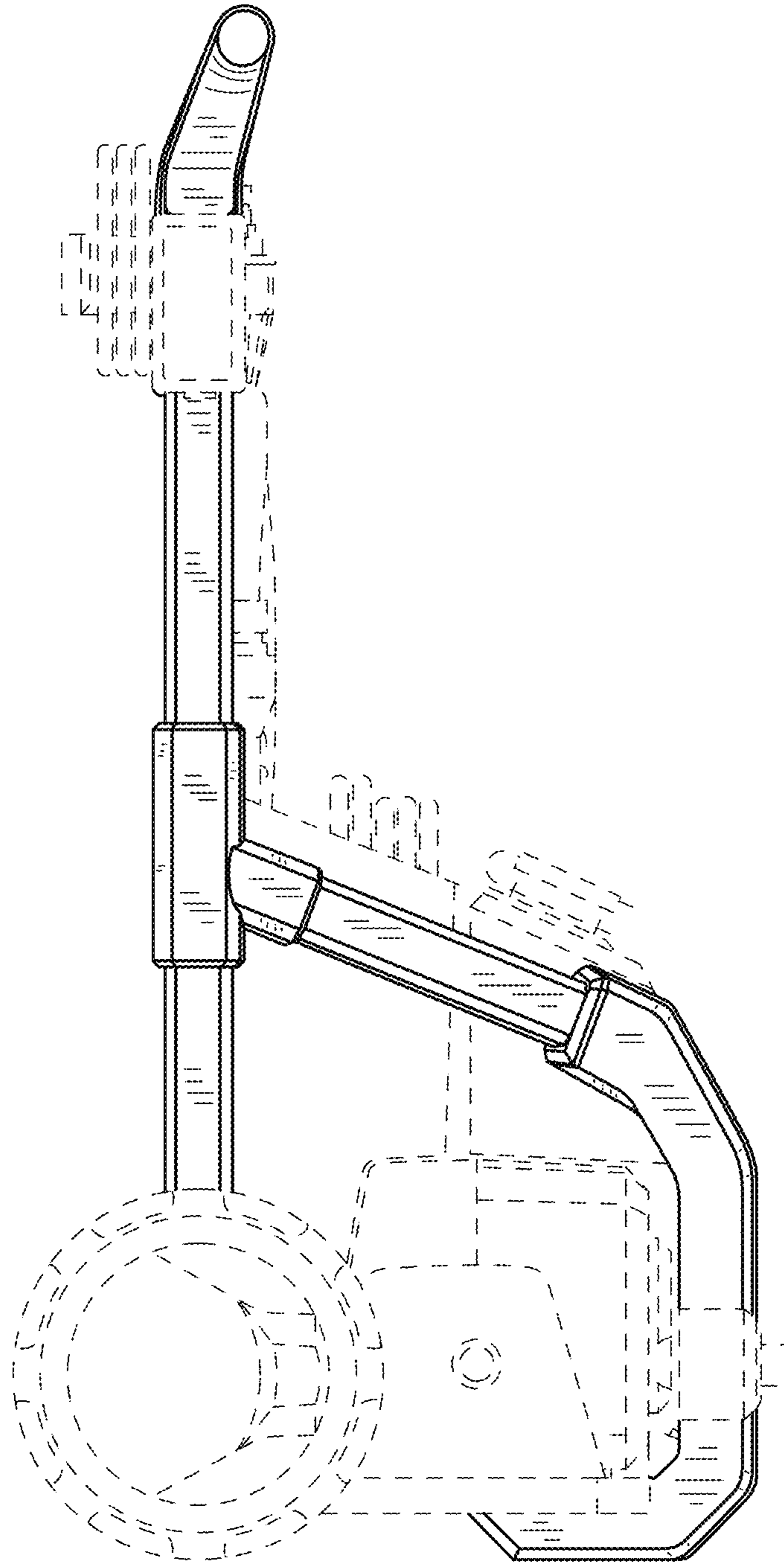


FIG.5

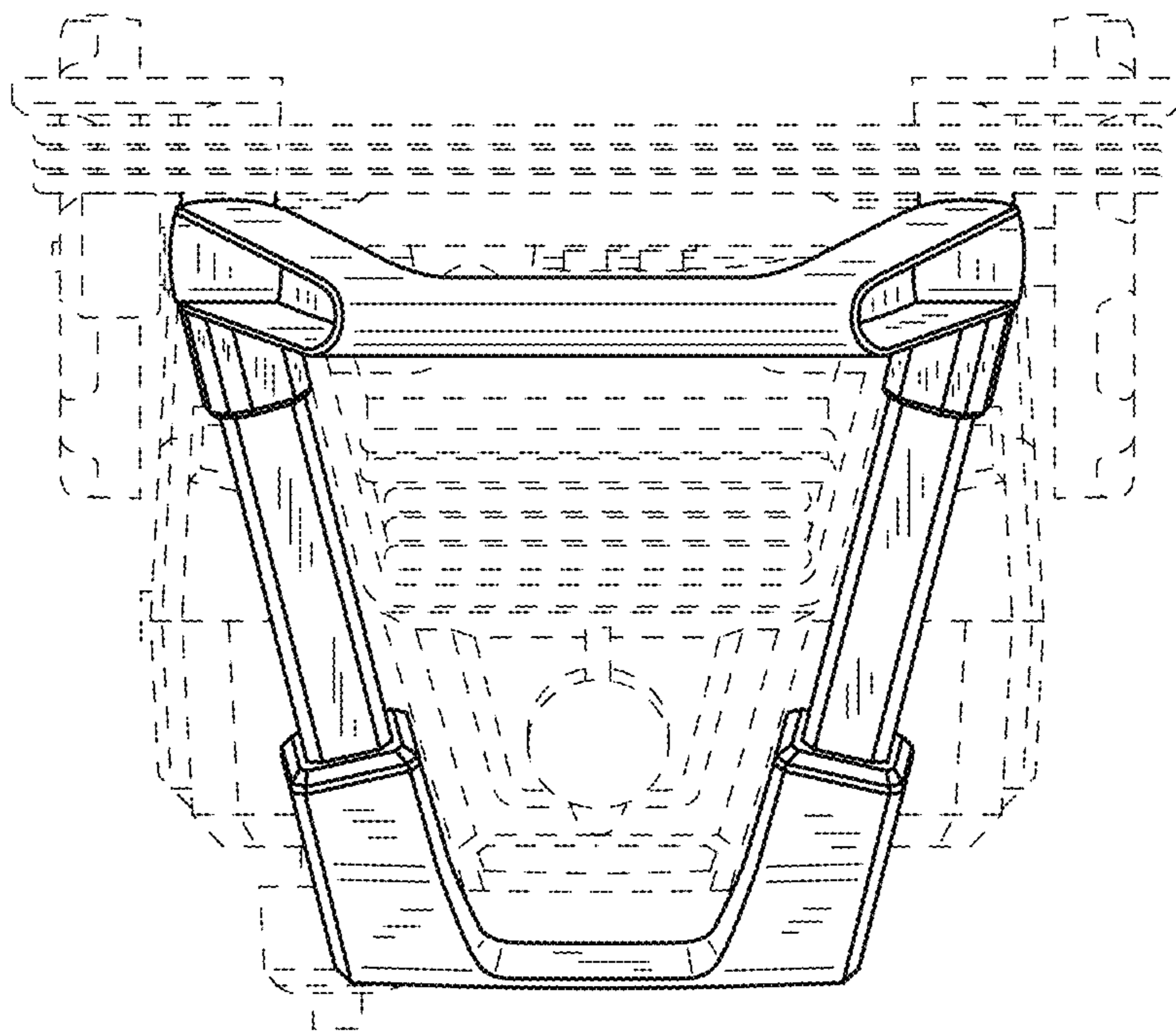


FIG.6

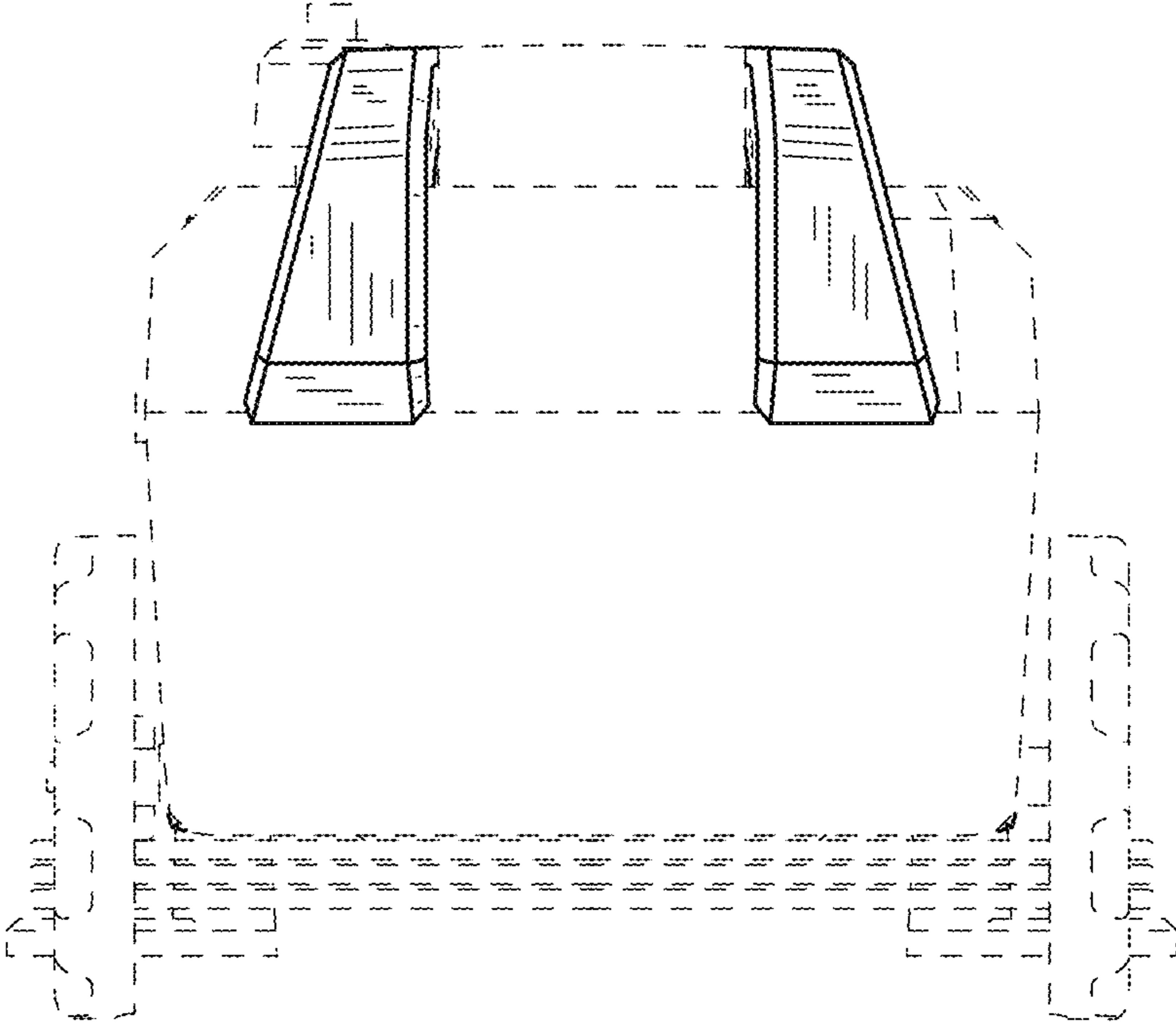


FIG.7