



US00D833695S

(12) **United States Design Patent**  
**Tash**

(10) **Patent No.:** **US D833,695 S**  
(45) **Date of Patent:** **\*\* Nov. 13, 2018**

- (54) **PIPE FLUSHING DEVICE**
- (71) Applicant: **George Tash**, Somis, CA (US)
- (72) Inventor: **George Tash**, Somis, CA (US)
- (73) Assignees: **George Tash**, Somis, CA (US), trustees;  
**Debra B. Tash**, Somis, CA (US), trustees
- (\*\*) Term: **15 Years**
- (21) Appl. No.: **29/577,395**
- (22) Filed: **Sep. 13, 2016**
- (51) **LOC (11) Cl.** ..... **15-05**
- (52) **U.S. Cl.**  
USPC ..... **D32/14**
- (58) **Field of Classification Search**  
USPC ..... D32/14, 25, 30-31; D8/65, 70, 499;  
D34/29, 35  
CPC ..... E03F 9/002; B08B 9/045  
See application file for complete search history.

4,957,123	A *	9/1990	McHugh	.....	B08B 9/0322	134/167 C
D339,405	S *	9/1993	Bevacco	.....	D23/213	
5,329,646	A *	7/1994	Bevacco	.....	B08B 9/0322	4/255.08
6,263,534	B1 *	7/2001	McCann	.....	B05B 9/0838	118/408
D504,749	S *	5/2005	Habib	.....	D32/14	
D505,234	S *	5/2005	Tash	.....	D32/14	
D505,525	S *	5/2005	Tash	.....	D32/14	
D510,783	S	10/2005	Tash			
D593,387	S *	6/2009	Liao	.....	D8/61	
8,034,187	B2 *	10/2011	Schmitt	.....	E03C 1/30	134/166 C
D692,195	S *	10/2013	Paulsen	.....	D32/14	
2008/0276359	A1 *	11/2008	Morgan	.....	B08B 9/0436	4/255.04
2010/0264046	A1 *	10/2010	Bates	.....	E03C 1/304	206/223
2013/0000685	A1 *	1/2013	Haghshenas	.....	B08B 9/0321	134/166 C

\* cited by examiner

*Primary Examiner* — Michelle E. Wilson  
(74) *Attorney, Agent, or Firm* — Lyon & Harr, LLP;  
Richard T. Lyon

(56) **References Cited**

U.S. PATENT DOCUMENTS

1,180,182	A *	4/1916	Petersen	.....	F16L 55/134	134/167 C
3,702,685	A *	11/1972	Kirschke	.....	B08B 9/0495	134/167 C
3,802,449	A *	4/1974	Mulinx	.....	B08B 9/0322	134/166 C
D234,768	S *	4/1975	Warsinger	.....	D23/213	
4,135,949	A	1/1979	Reese			
4,372,003	A	2/1983	Toelke			
4,790,356	A *	12/1988	Tash	.....	G01M 3/022	134/167 C
4,847,923	A *	7/1989	Huang	.....	E03C 1/308	4/255.03

(57) **CLAIM**

The ornamental design for a pipe flushing device, as shown and described.

**DESCRIPTION**

FIG. 1 is a perspective view of a pipe flushing device with the top pointed up showing my new design;  
FIG. 2 a perspective view of FIG. 1 with the top pointed down;  
FIG. 3 is a top plan view of FIG. 1; and,  
FIG. 4 is a bottom plan view of FIG. 1.

**1 Claim, 3 Drawing Sheets**

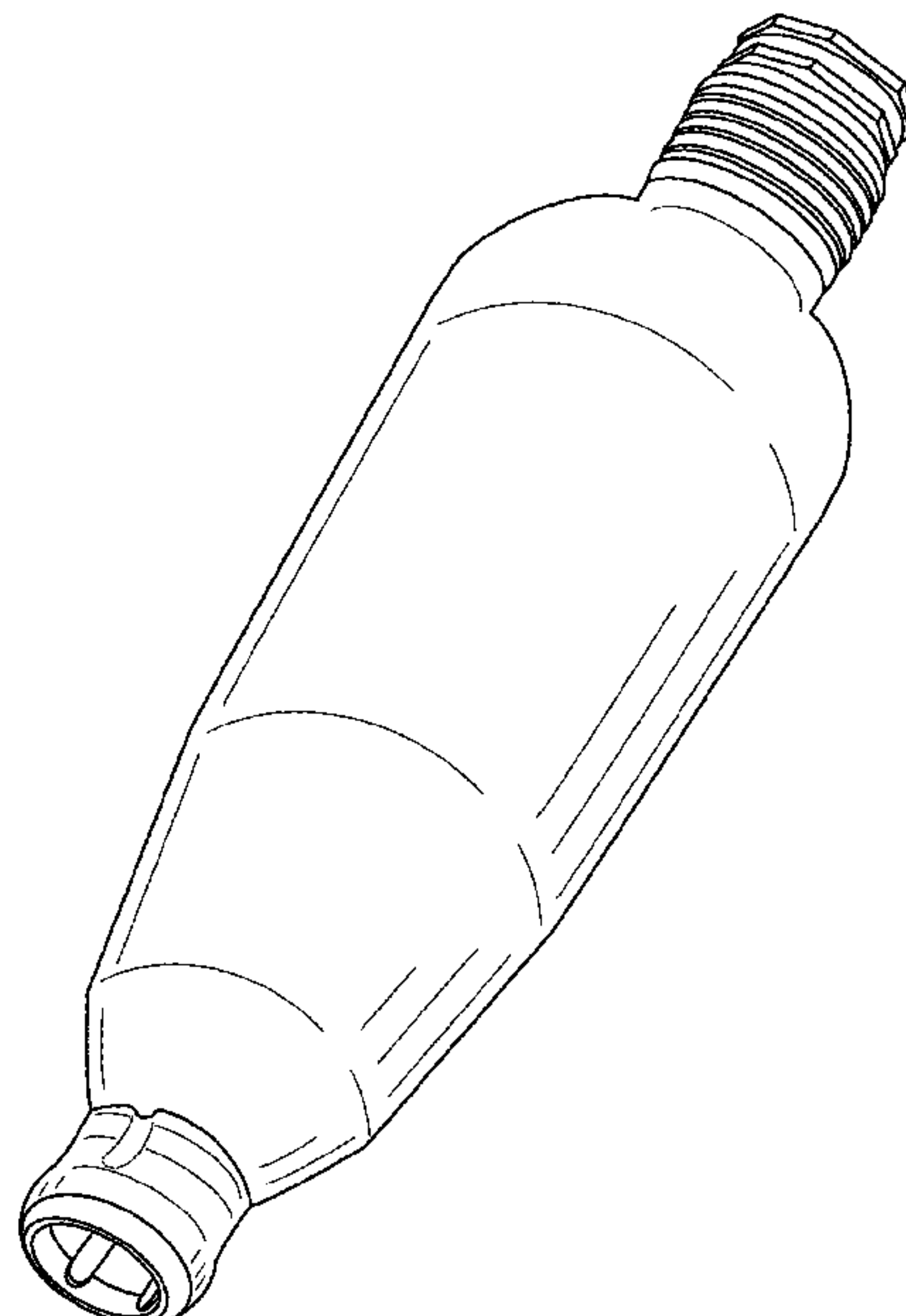




FIG. 1

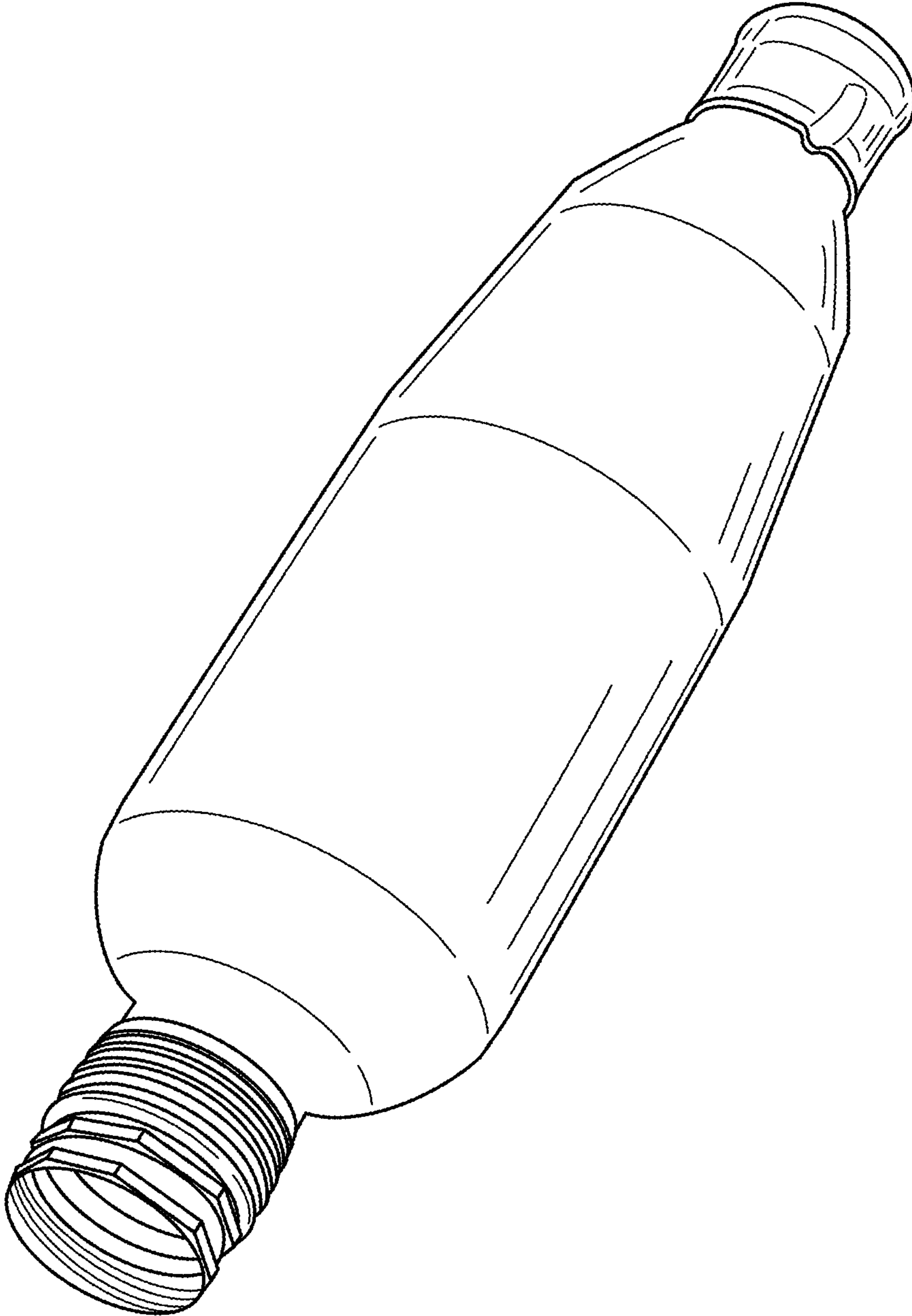


FIG. 2

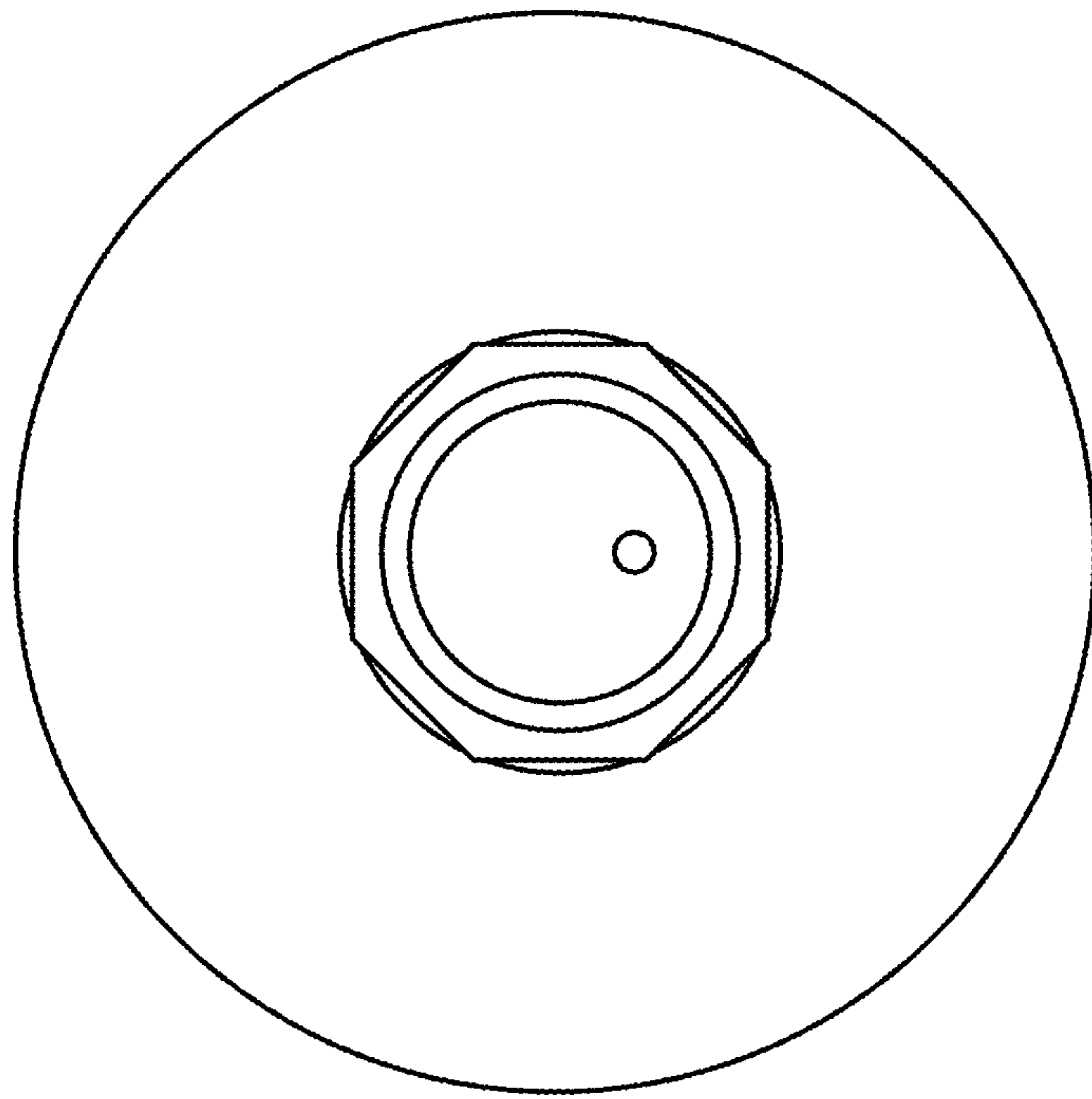


FIG. 3

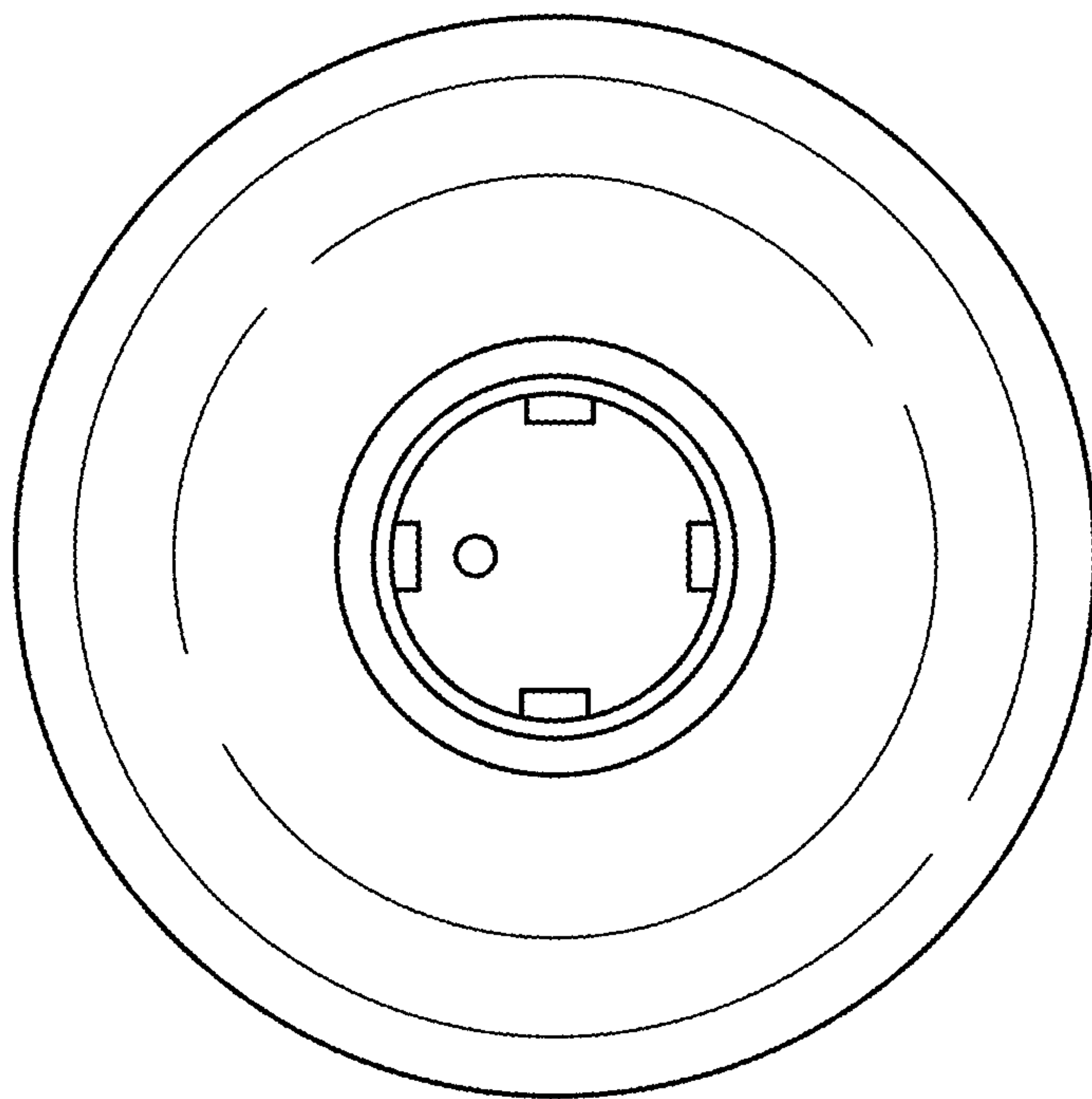


FIG. 4