



US00D833694S

(12) **United States Design Patent** (10) **Patent No.:** **US D833,694 S**
Kang et al. (45) **Date of Patent:** **** Nov. 13, 2018**

(54) **WASHING MACHINE**
(71) Applicant: **Samsung Electronics Co., Ltd.**,
Suwon-si (KR)
(72) Inventors: **Yoonjong Kang**, Seoul (KR); **Yuna Park**, Seoul (KR)
(73) Assignee: **Samsung Electronics Co., Ltd.**,
Suwon-si (KR)

D597,712 S * 8/2009 Jeon D32/6
D599,509 S * 9/2009 Jeon D32/6
D631,215 S 1/2011 Song et al.
D697,680 S 1/2014 Hwang et al.
D699,907 S 2/2014 Choi et al.
D701,656 S 3/2014 Choi et al.
D732,762 S * 6/2015 Joo D32/6
D733,372 S * 6/2015 Song D32/6
D738,582 S * 9/2015 Chung D32/6
D753,889 S 4/2016 Jeon et al.
D760,967 S 7/2016 Joo et al.

(Continued)

(**) Term: **15 Years**

FOREIGN PATENT DOCUMENTS

(21) Appl. No.: **29/614,684**

EM 000459938-0007 6/2008
KR 30-2014-0063064 6/2015

(22) Filed: **Aug. 22, 2017**

Primary Examiner — Michelle E. Wilson

Related U.S. Application Data

(74) *Attorney, Agent, or Firm* — NSIP Law

(63) Continuation of application No. 29/552,091, filed on
Jan. 20, 2016, now Pat. No. Des. 798,006.

(57) **CLAIM**

We claim the ornamental design for a washing machine, as
shown and described.

(30) **Foreign Application Priority Data**

DESCRIPTION

Jul. 21, 2015 (KR) 30-2015-0036772

(51) **LOC (11) Cl.** **15-05**

(52) **U.S. Cl.**
USPC **D32/6**

(58) **Field of Classification Search**
USPC D32/1, 6, 5, 8, 11, 25, 28, 39, 35, 67;
68/3 R, 5 R, 11, 13
CPC D06F 39/00; D06F 21/06; D06F 21/08;
D06F 21/00
See application file for complete search history.

FIG. 1 is a front perspective view of a washing machine
showing our new design;
FIG. 2 is a front view thereof;
FIG. 3 is a rear view thereof;
FIG. 4 is a left-side view thereof;
FIG. 5 is a right-side view thereof;
FIG. 6 is a top view thereof;
FIG. 7 is a bottom view thereof; and,
FIG. 8 is an enlarged view of the encircled portion in FIG.
1.

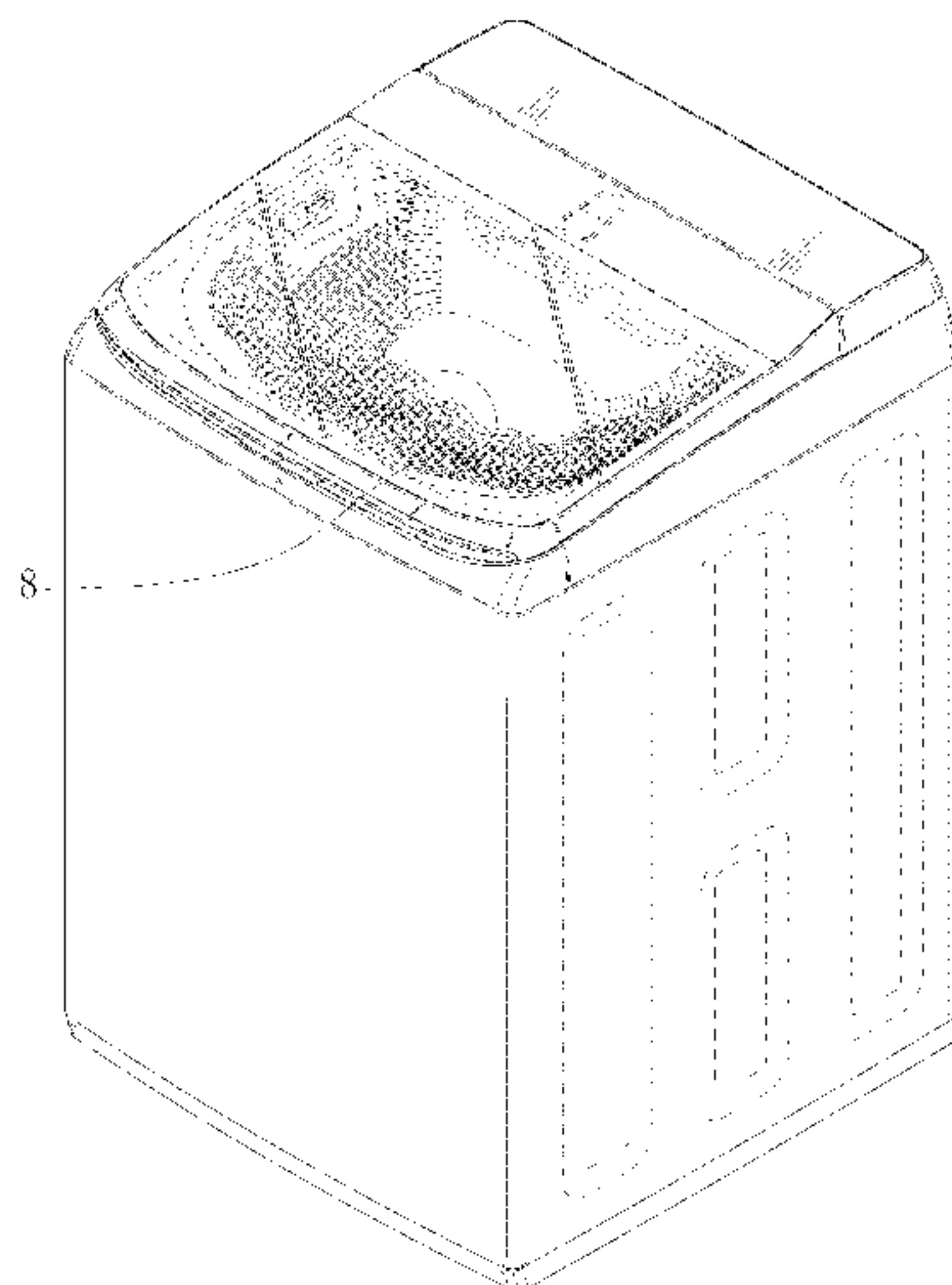
(56) **References Cited**

The broken lines in the figures show portions of the washing
machine which form no part of the claimed design.
The dash-dot broken lines encircling portions of the claimed
design that are illustrated in enlargements form no part of the
claimed design.

U.S. PATENT DOCUMENTS

D313,679 S * 1/1991 Sakamoto D32/6
D422,387 S * 4/2000 Mutoh D32/25
D489,496 S 5/2004 Sneddon
D503,835 S * 4/2005 Oda D32/6

1 Claim, 8 Drawing Sheets



(56)

References Cited

U.S. PATENT DOCUMENTS

D761,502 S	7/2016	Joo et al.
D762,027 S	7/2016	Choi et al.
D764,121 S	8/2016	Choi et al.
D775,437 S	12/2016	Yoon et al.
D775,438 S	12/2016	Kang et al.

* cited by examiner

FIG. 1

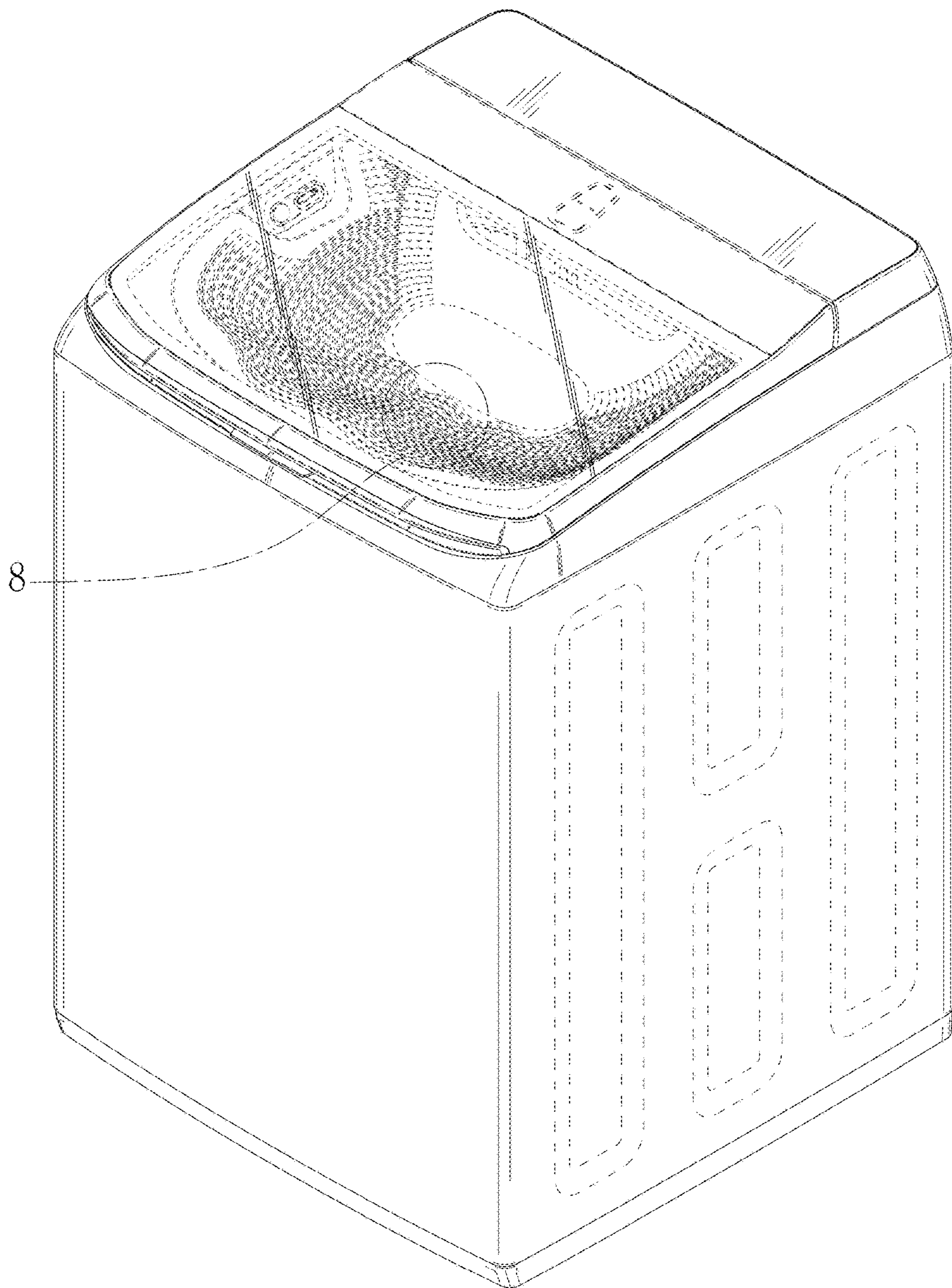


FIG. 2

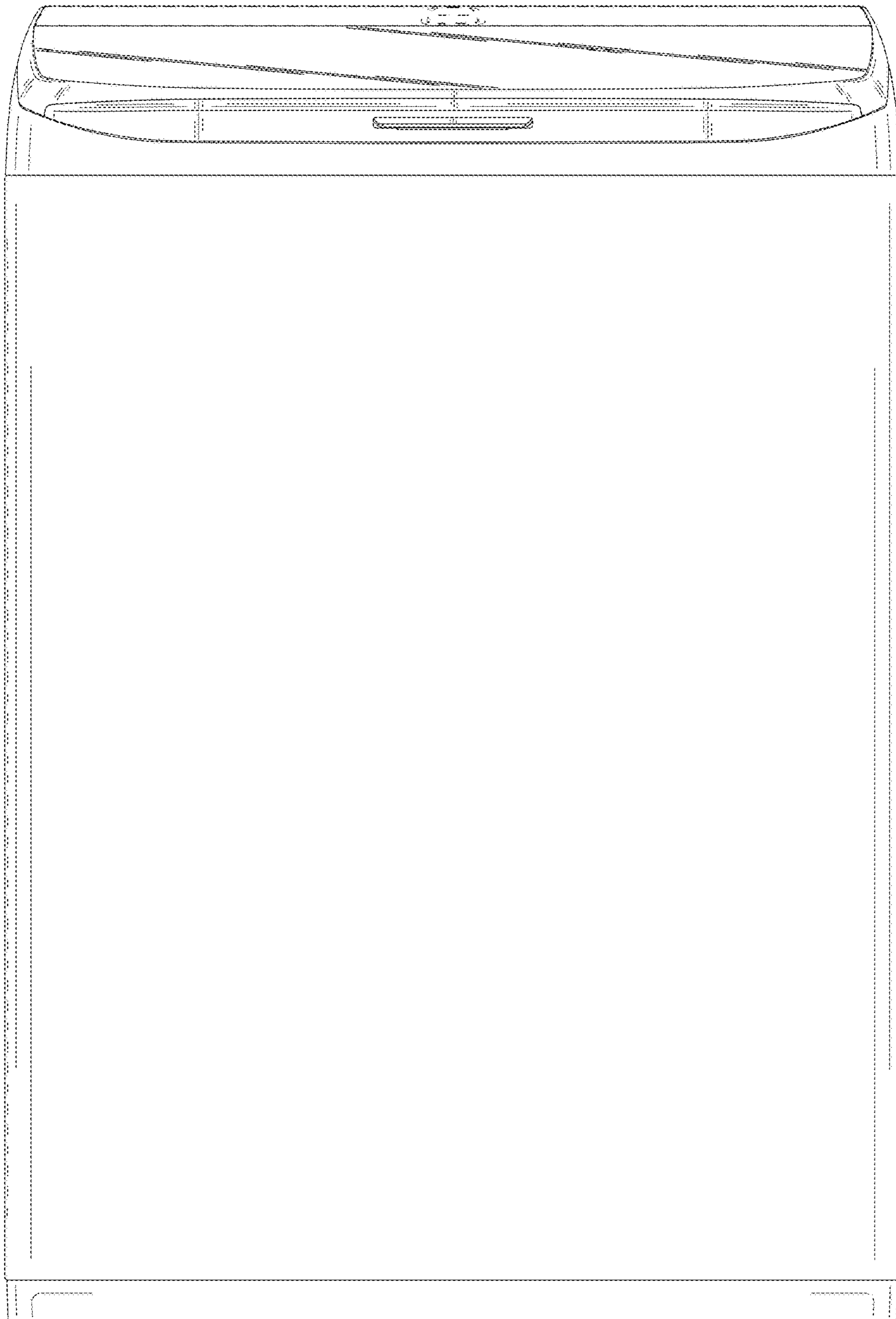


FIG. 3

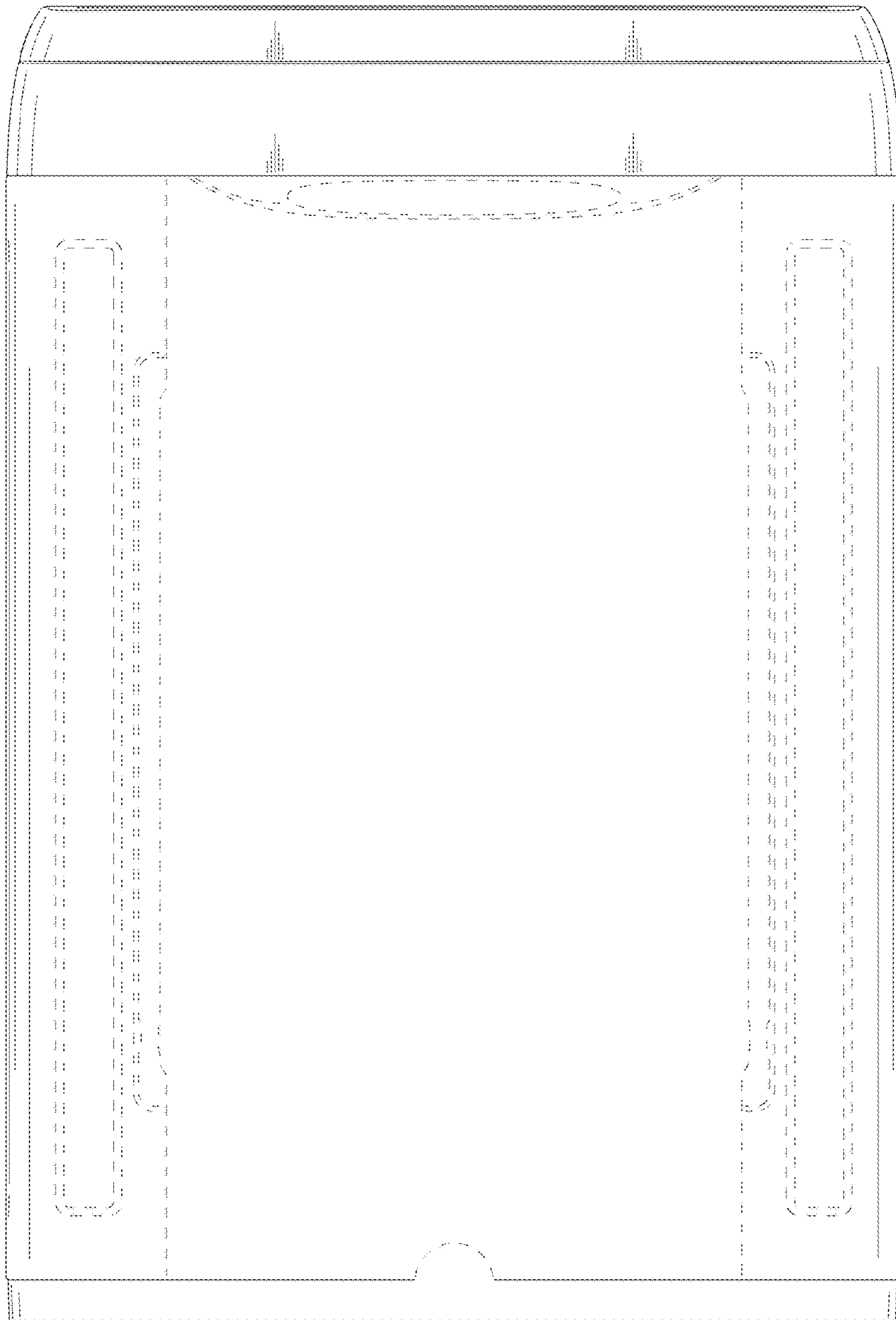


FIG. 4

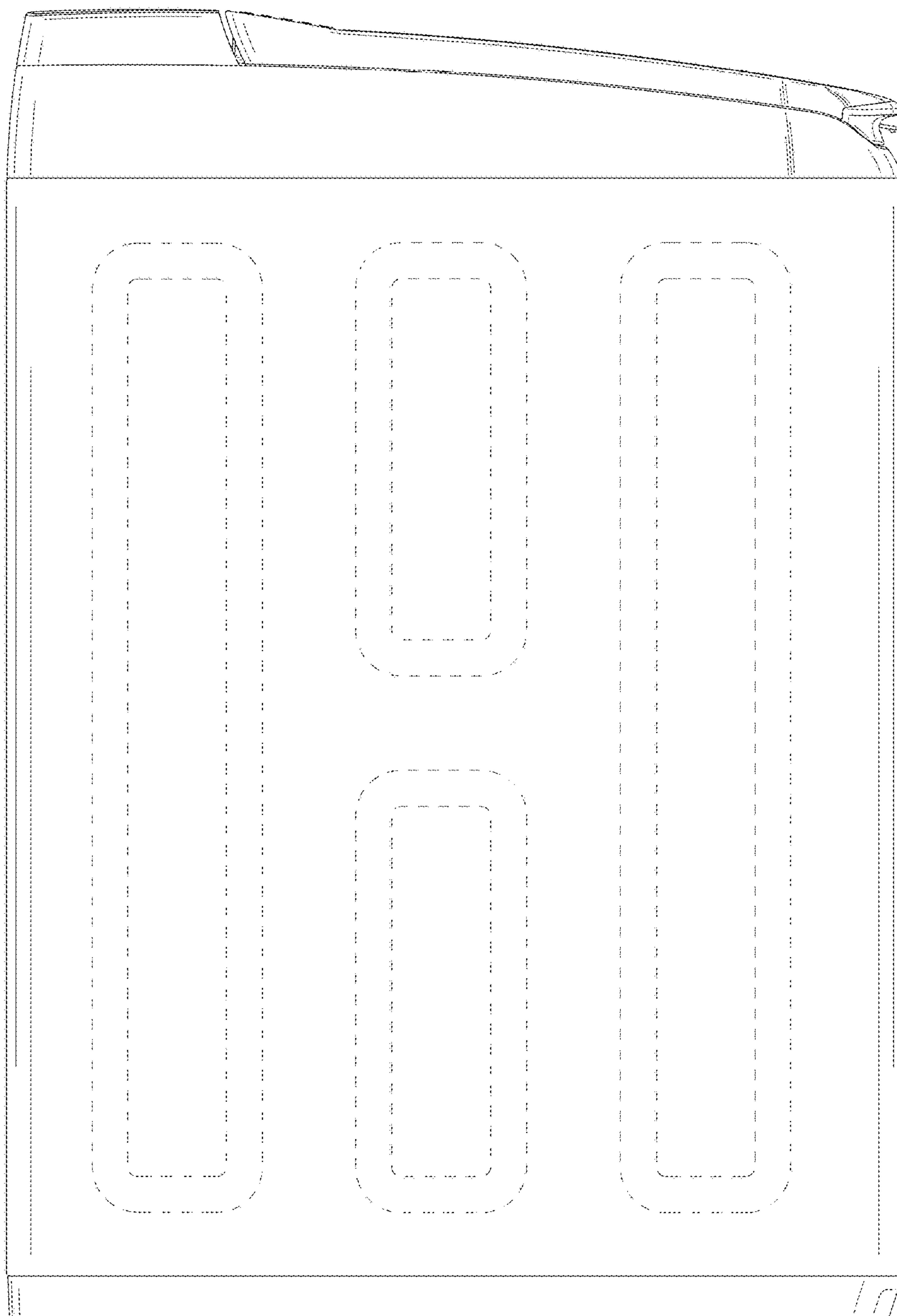


FIG. 5

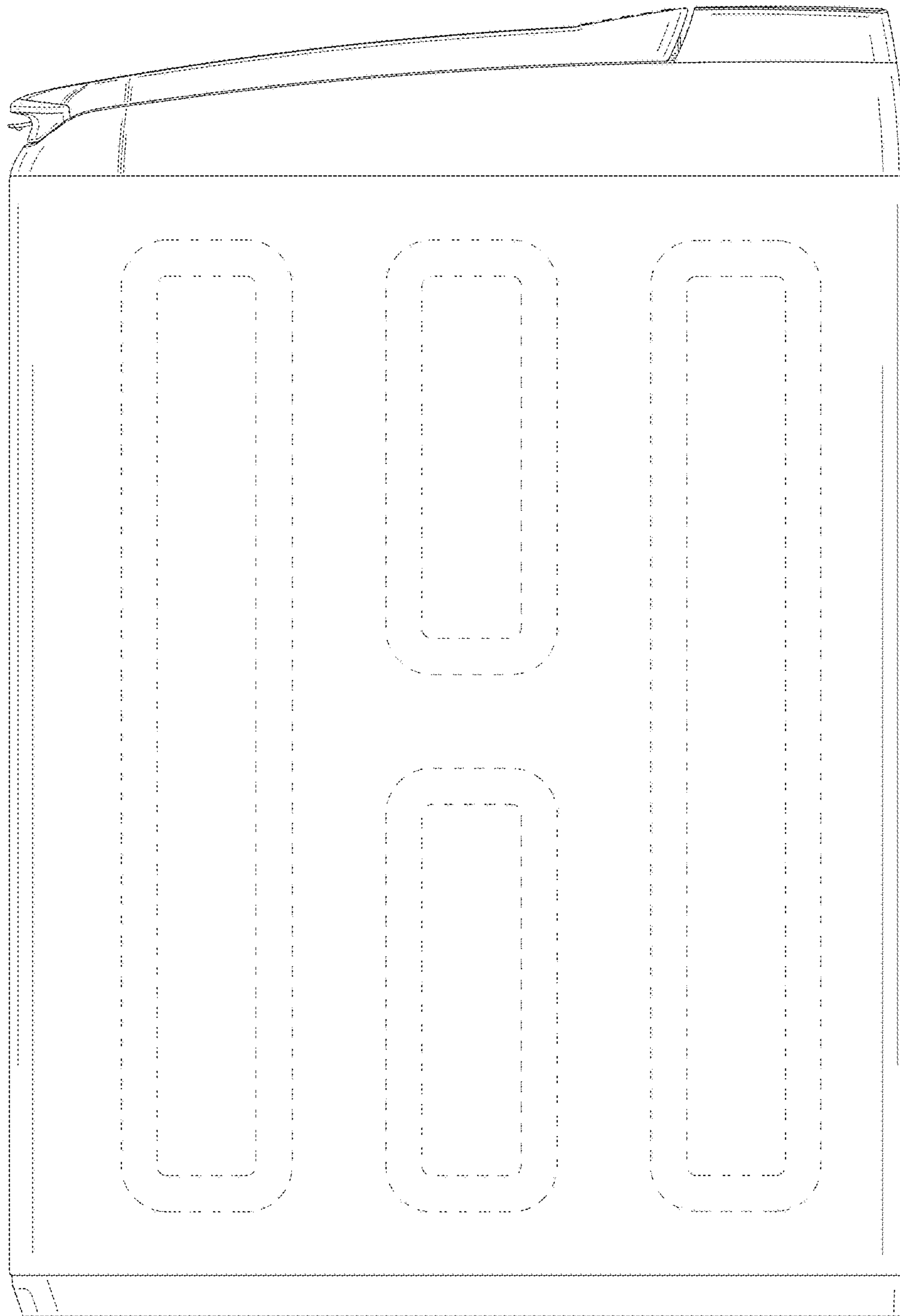


FIG. 6

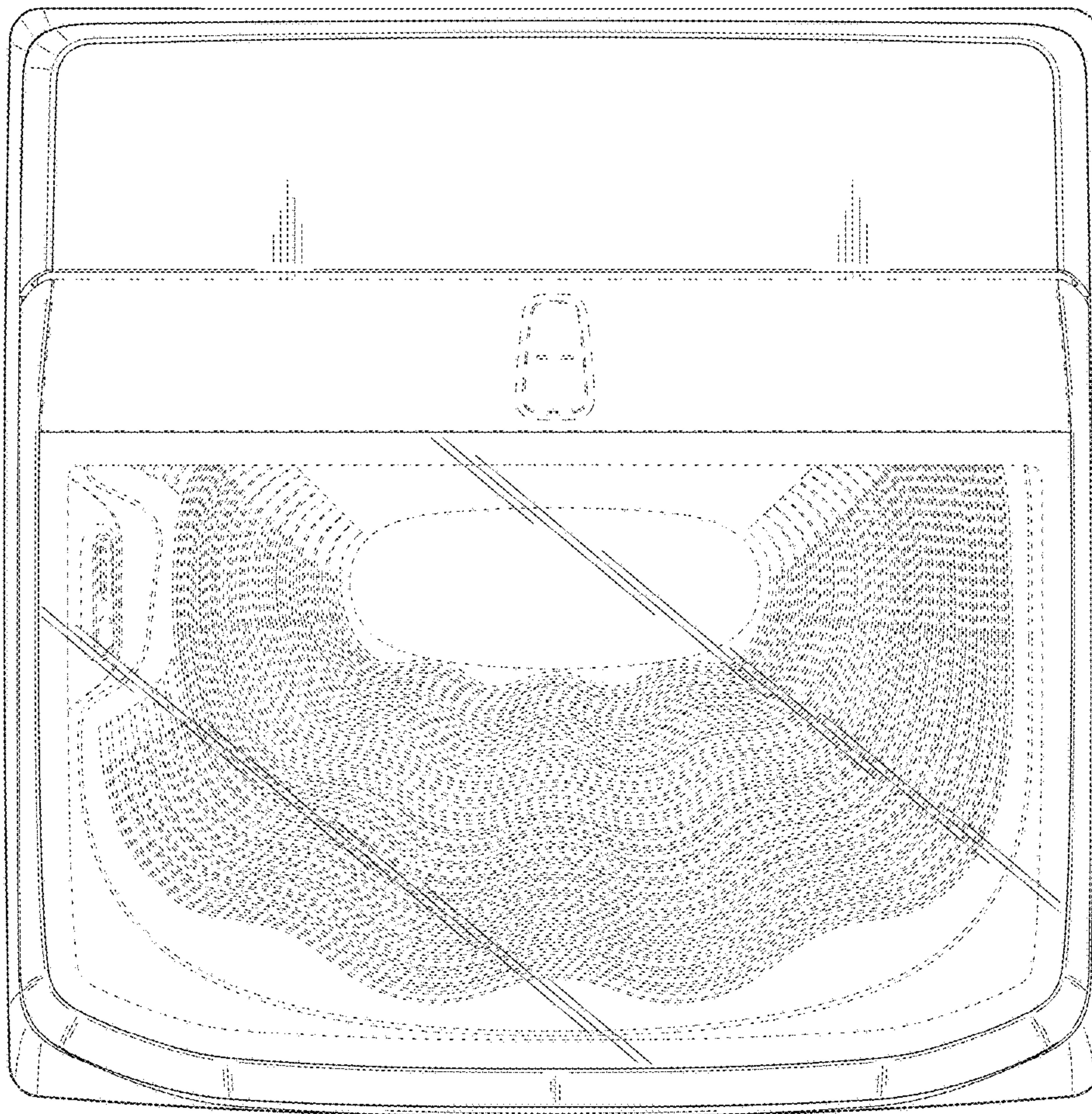


FIG. 7

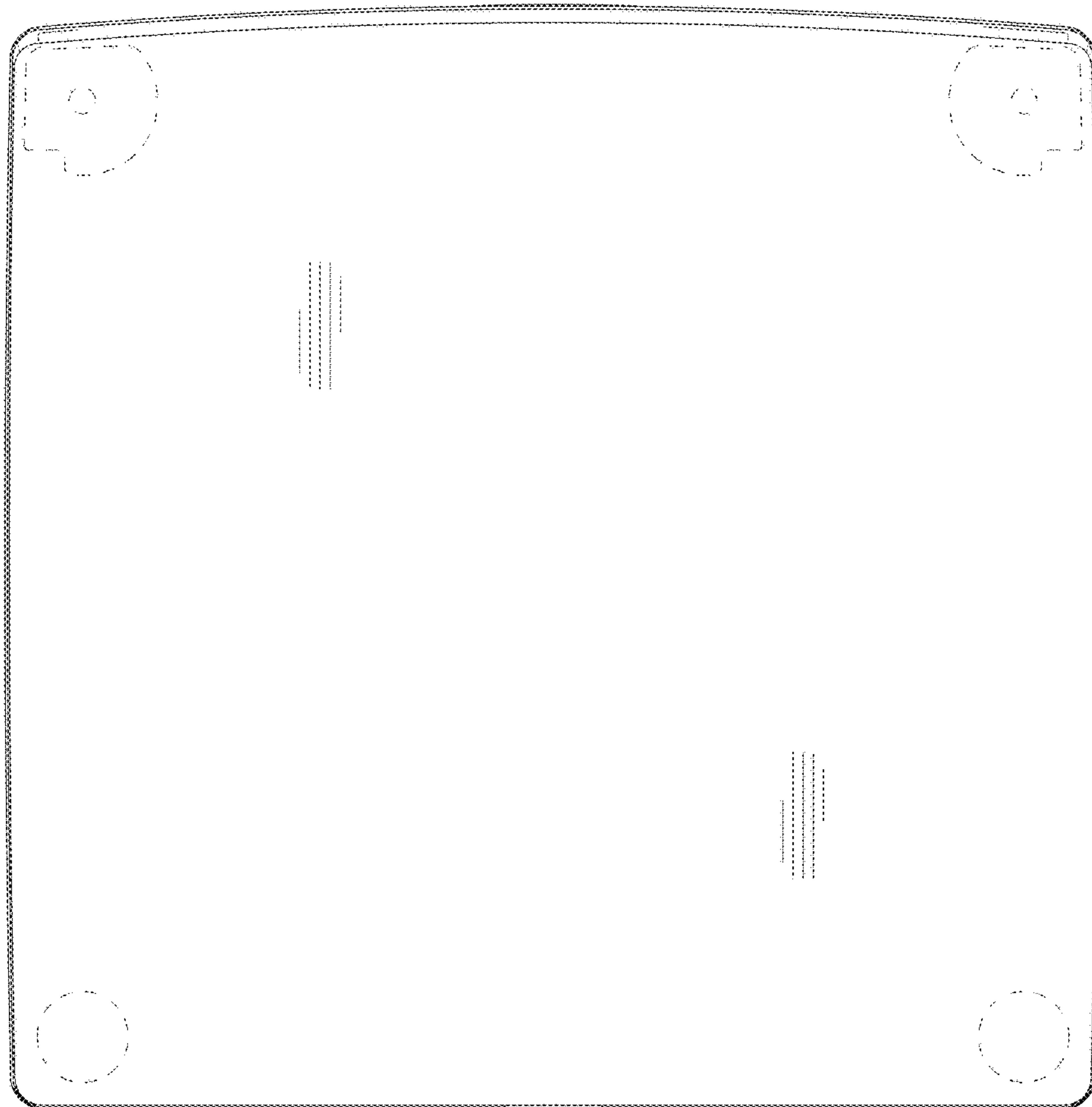


FIG. 8

