



US00D833693S

(12) **United States Design Patent**  
**Utterback et al.**

(10) **Patent No.:** **US D833,693 S**

(45) **Date of Patent:** **\*\* Nov. 13, 2018**

- (54) **CAR WASH REACH ARCH**
- (71) Applicant: **National Carwash Solutions Canada, Inc.**, Barrie (CA)
- (72) Inventors: **James Thomas Utterback**, Howell, MI (US); **Stephen John Van Noortwyk**, Barrie (CA)
- (73) Assignee: **National Carwash Solutions Canada, Inc.**, Barrie, Ontario (CA)

- D473,022 S \* 4/2003 Kressin ..... D32/4
- 6,581,855 B1 \* 6/2003 Cook ..... A62C 99/0072  
239/548
- D514,755 S \* 2/2006 Essenburg ..... D32/4
- 7,143,771 B2 \* 12/2006 Kaipainen ..... B60S 3/04  
134/57 R
- 8,069,867 B2 \* 12/2011 Turner ..... B08B 13/00  
134/123
- D667,178 S \* 9/2012 Belanger ..... D32/4
- 8,372,208 B2 \* 2/2013 Gauthier ..... B60S 3/04  
134/123
- 8,627,535 B2 \* 1/2014 Belanger ..... B60S 3/06  
15/53.1

(\*\*) Term: **14 Years**

(21) Appl. No.: **29/524,512**

(22) Filed: **Apr. 21, 2015**

(51) **LOC (11) Cl.** ..... **15-05**

(52) **U.S. Cl.**  
USPC ..... **D32/4**

(58) **Field of Classification Search**  
USPC ..... D32/4, 8, 10, 24, 25, 28; D23/213;  
239/548, 557, 566; 134/56 R, 123  
CPC ..... B05B 1/20; B60S 3/00; B60S 3/04; B60S  
3/042; B60S 3/06; B60B 3/024  
See application file for complete search history.

(56) **References Cited**

**U.S. PATENT DOCUMENTS**

- 2,754,834 A \* 7/1956 Merancy ..... B60S 3/04  
134/100.1
- 3,072,131 A \* 1/1963 Di Lorenzo ..... B60S 3/04  
134/123
- 3,288,109 A \* 11/1966 Smith, Jr. .... B60S 3/04  
118/316
- 3,658,590 A \* 4/1972 Huebner ..... B60S 3/04  
134/123
- D327,130 S \* 6/1992 Belanger ..... D25/127
- D375,389 S \* 11/1996 Belanger ..... D12/222
- 6,000,631 A \* 12/1999 Lamminen ..... B60S 3/04  
134/123
- D442,749 S \* 5/2001 Jones ..... D32/4

(Continued)

*Primary Examiner* — Rosemary K Tarcza

*Assistant Examiner* — Yolanda Robinson

(74) *Attorney, Agent, or Firm* — Michael Best & Friedrich LLP

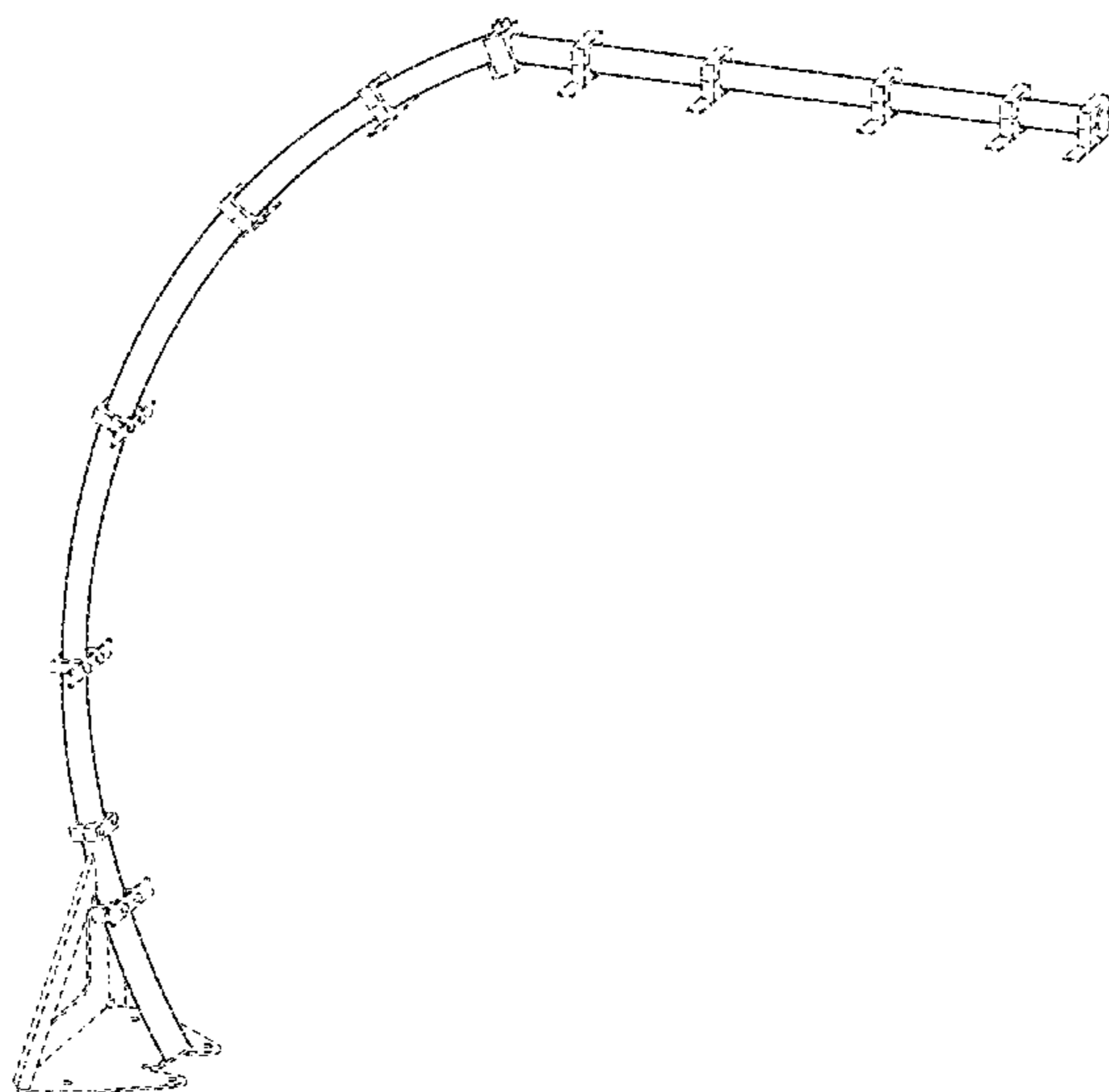
(57) **CLAIM**

The ornamental design for a car wash reach arch, as shown and described.

**DESCRIPTION**

FIG. 1 is a perspective view of a car wash reach arch, showing our new design;  
 FIG. 2 is a front view thereof;  
 FIG. 3 is a rear view thereof;  
 FIG. 4 is a right view thereof;  
 FIG. 5 is a left view thereof;  
 FIG. 6 is a bottom view thereof;  
 FIG. 7 is a top view thereof;  
 FIG. 8 is a perspective view of a car wash reach arch, shown in an environment of use; and,  
 FIG. 9 is another perspective view of a car wash reach arch, shown in an environment of use.  
 The broken lines shown in the figures are for the purpose of illustrating environmental structure of the car wash reach arch, and form no part of the claimed design.

**1 Claim, 7 Drawing Sheets**



(56)

**References Cited**

U.S. PATENT DOCUMENTS

8,813,765	B2 *	8/2014	Petit .....	B60S 3/002 134/123
D733,256	S *	6/2015	Turner .....	B60S 3/04 D23/213
D753,470	S *	4/2016	Paladino .....	D8/367
D762,020	S *	7/2016	Kahwaji .....	D32/3
9,714,010	B2 *	7/2017	Fazio .....	B60S 3/04
2007/0175498	A1 *	8/2007	Smith .....	B60S 3/042 134/34
2007/0209129	A1 *	9/2007	Turner .....	B60S 3/063 15/53.2
2007/0214588	A1 *	9/2007	Morin .....	B60S 3/063 15/53.2
2007/0246088	A1 *	10/2007	Rennie .....	B60S 3/04 134/123
2010/0206961	A1 *	8/2010	Turner .....	B60S 3/04 239/207
2010/0243007	A1 *	9/2010	Turner .....	B08B 13/00 134/123
2014/0219799	A1 *	8/2014	Selsam .....	F03D 1/065 416/11
2016/0281677	A1 *	9/2016	Selsam .....	F03D 1/065
2017/0100729	A1 *	4/2017	Petit .....	B60S 3/002
2017/0260706	A1 *	9/2017	Eckman .....	B05B 13/005
2017/0274874	A1 *	9/2017	Elie .....	B08B 3/024
2017/0320074	A1 *	11/2017	Beckett .....	B05B 1/20
2018/0117617	A1 *	5/2018	Grunbeck .....	B05B 15/065
2018/0133750	A1 *	5/2018	Whiting .....	B05B 5/1691

\* cited by examiner

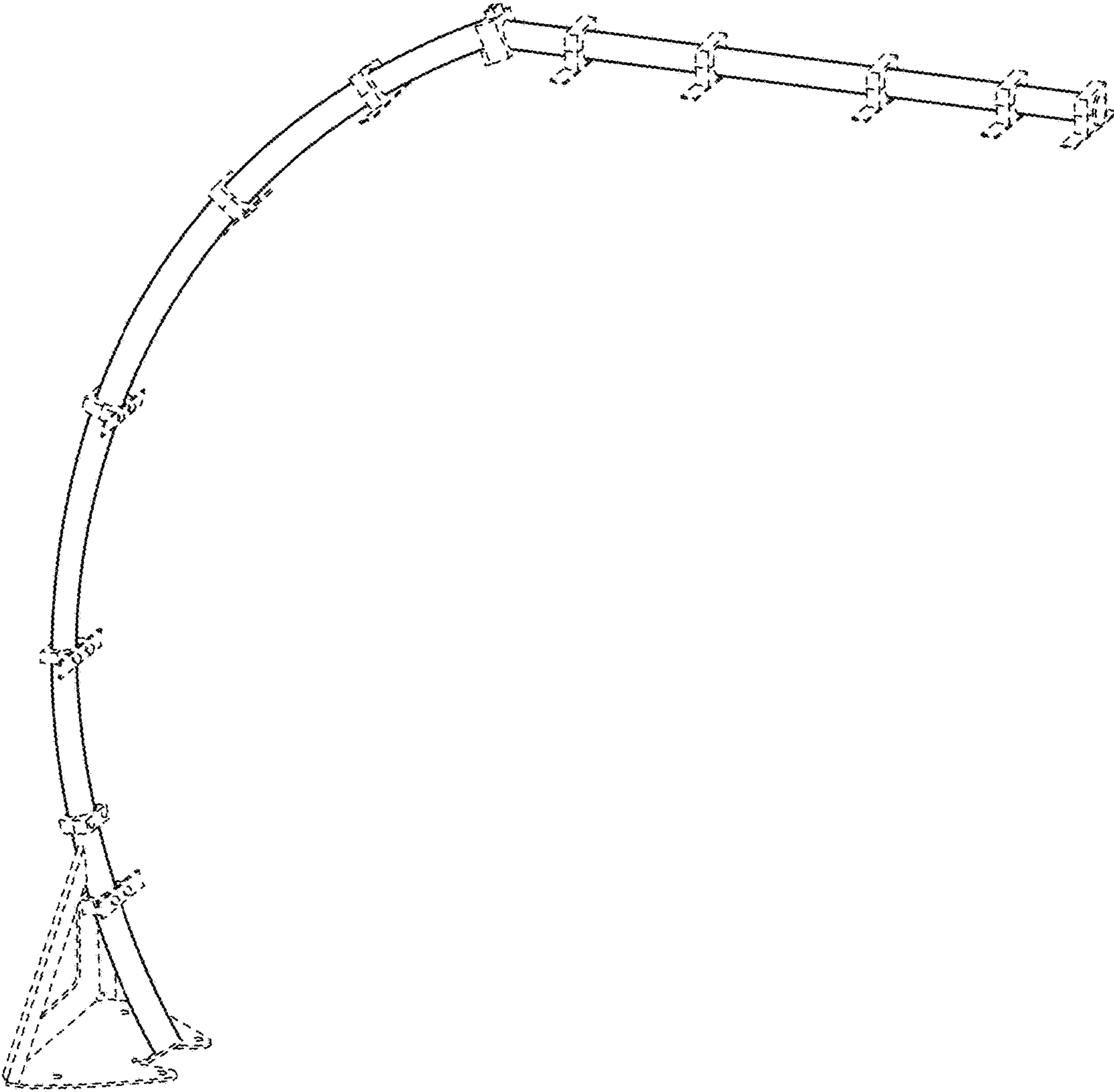


FIG. 1

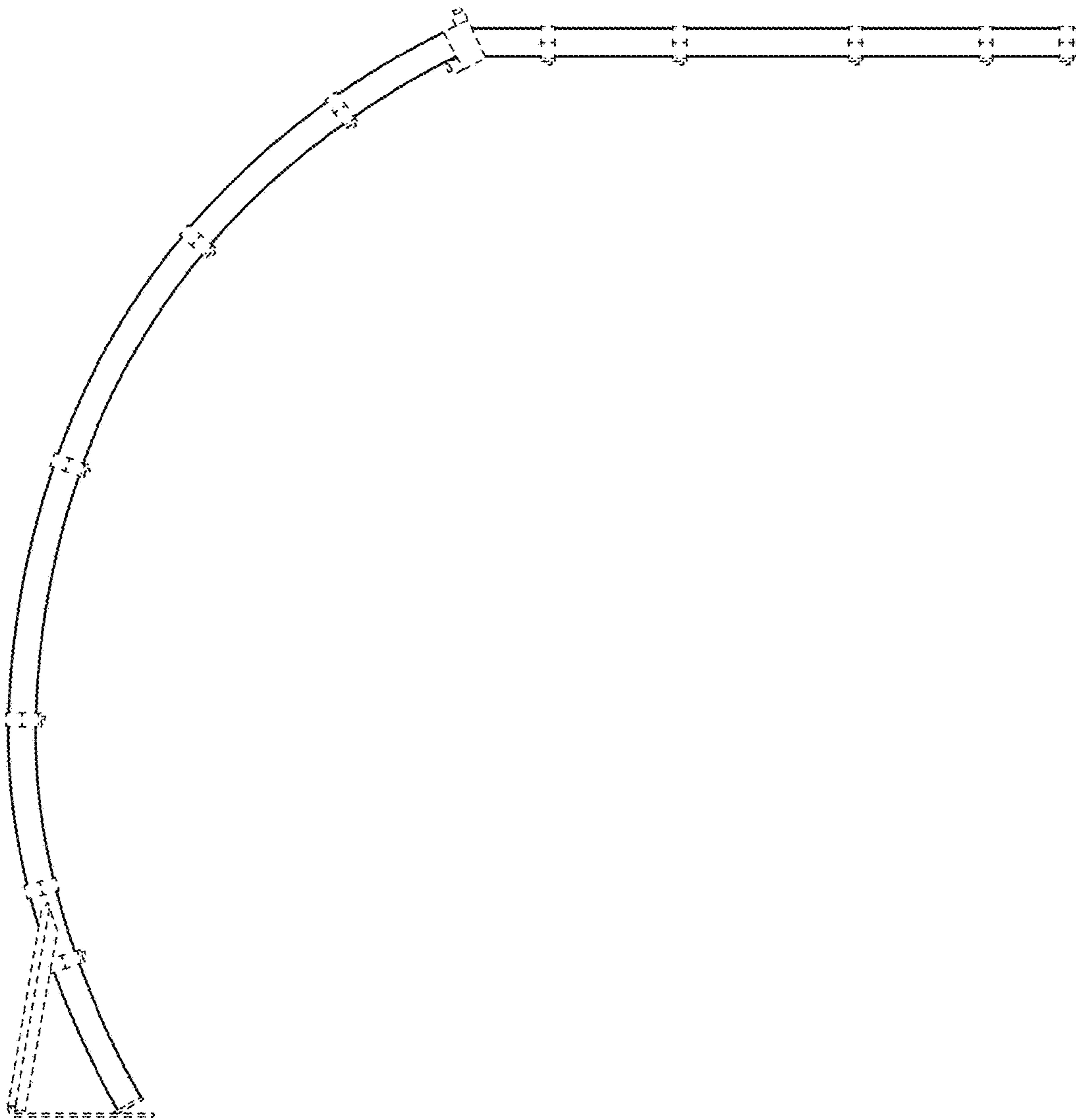


FIG. 2

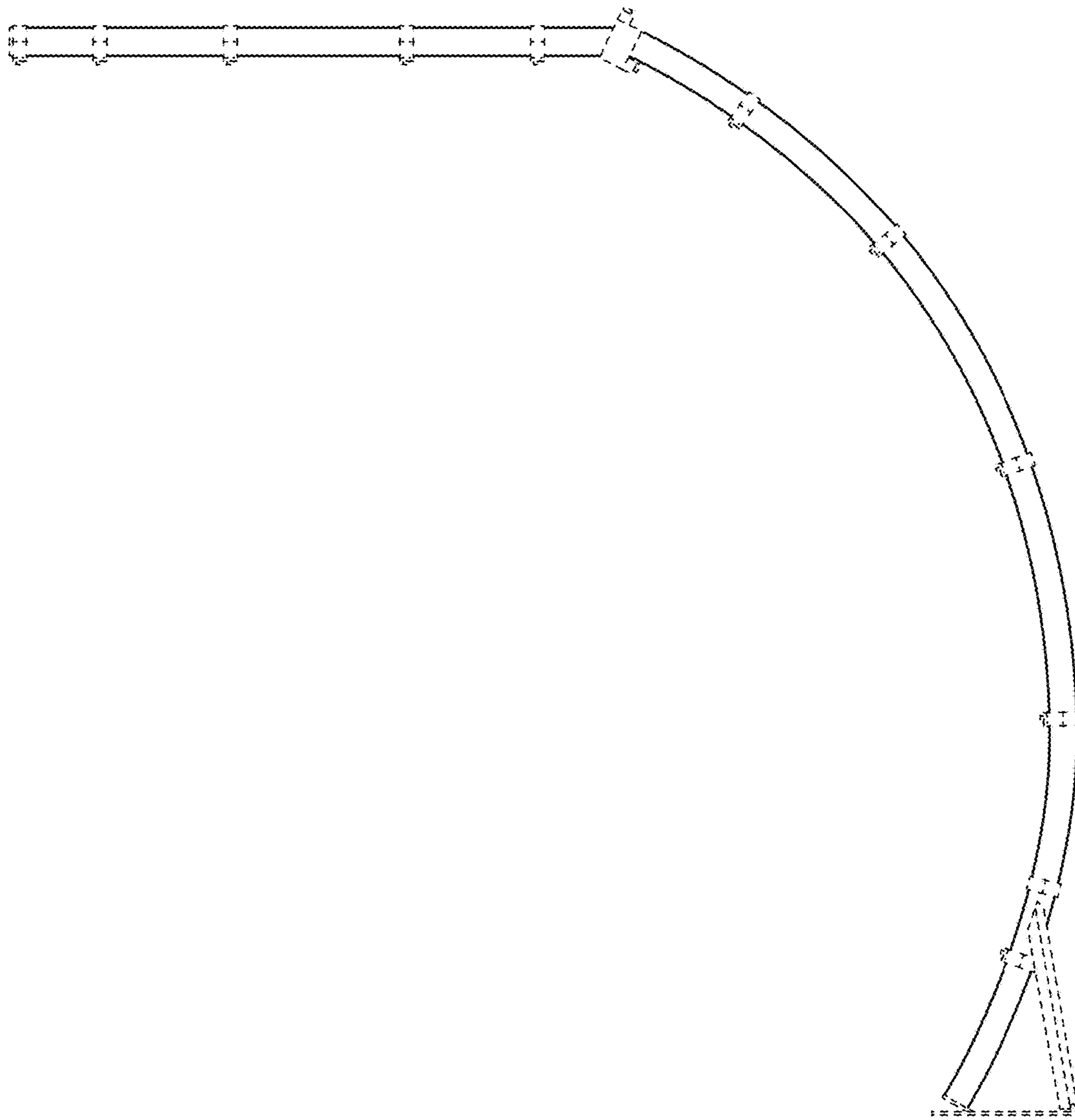
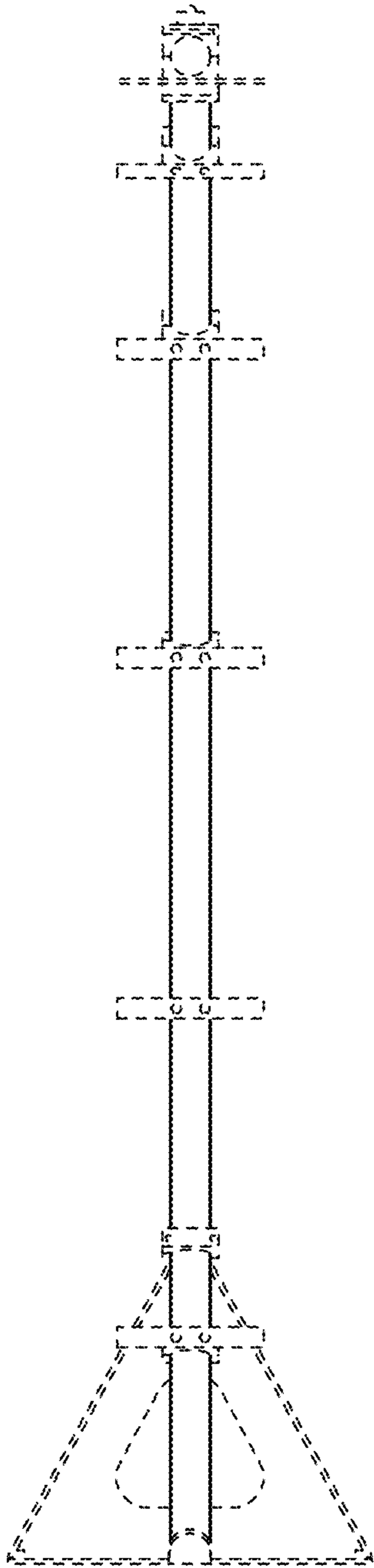
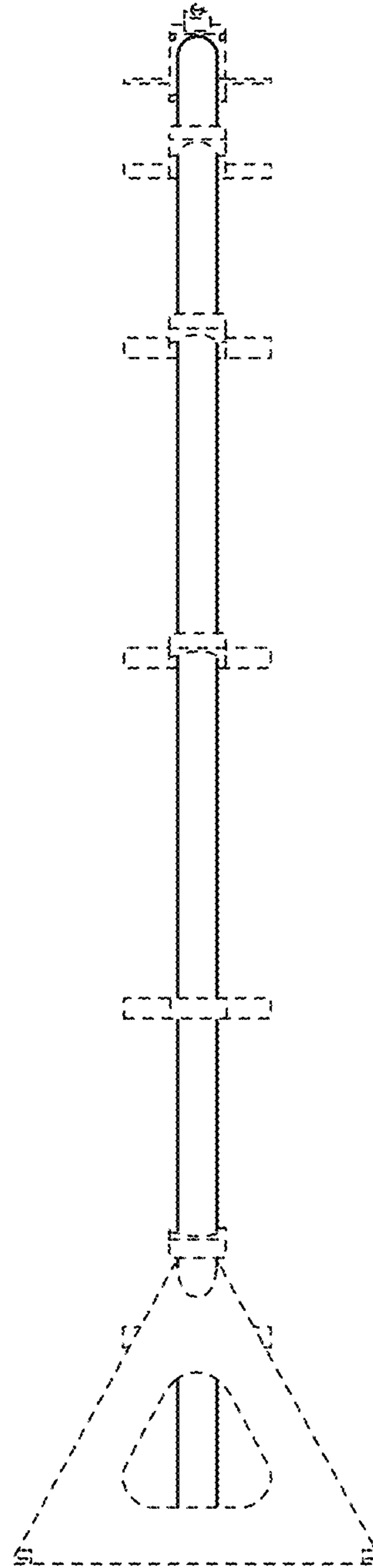


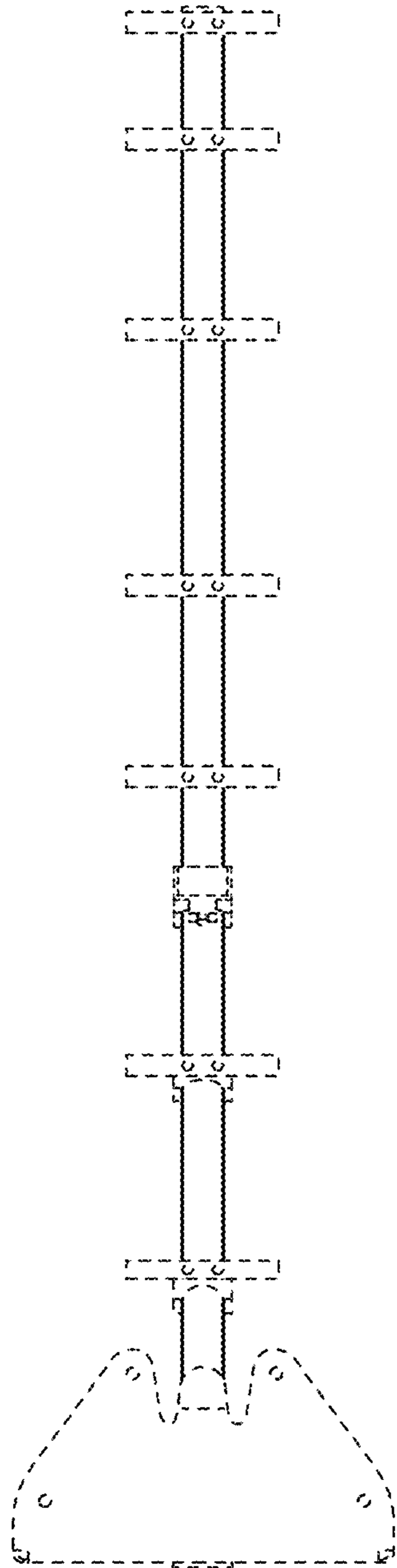
FIG. 3



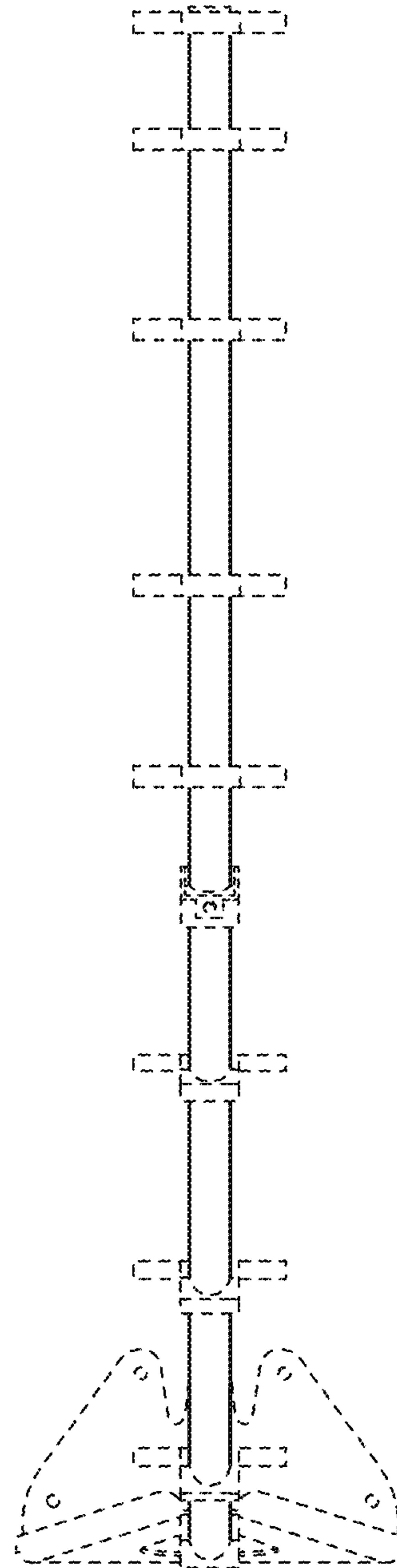
**FIG. 4**



**FIG. 5**



**FIG. 6**



**FIG. 7**



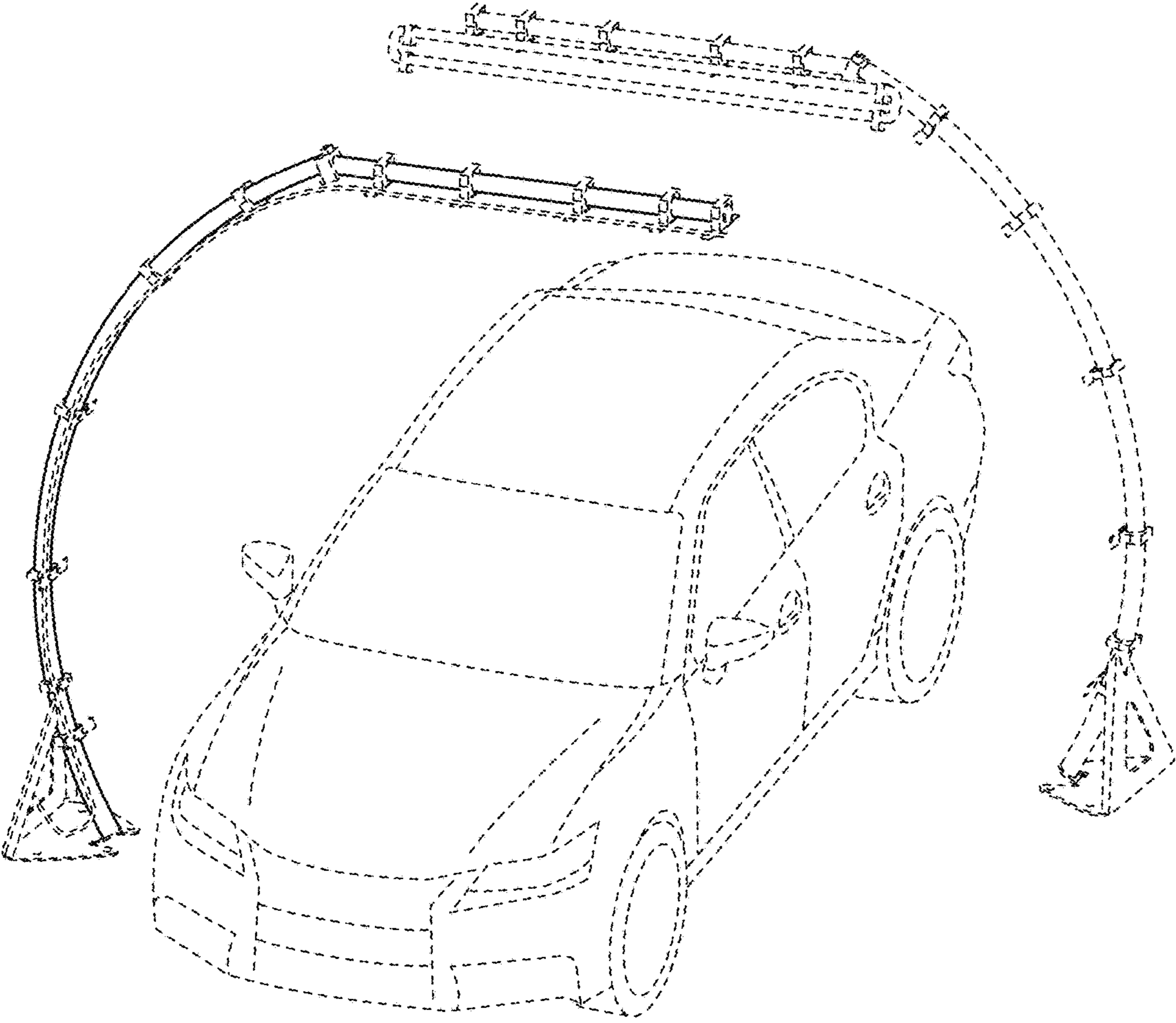


FIG. 8



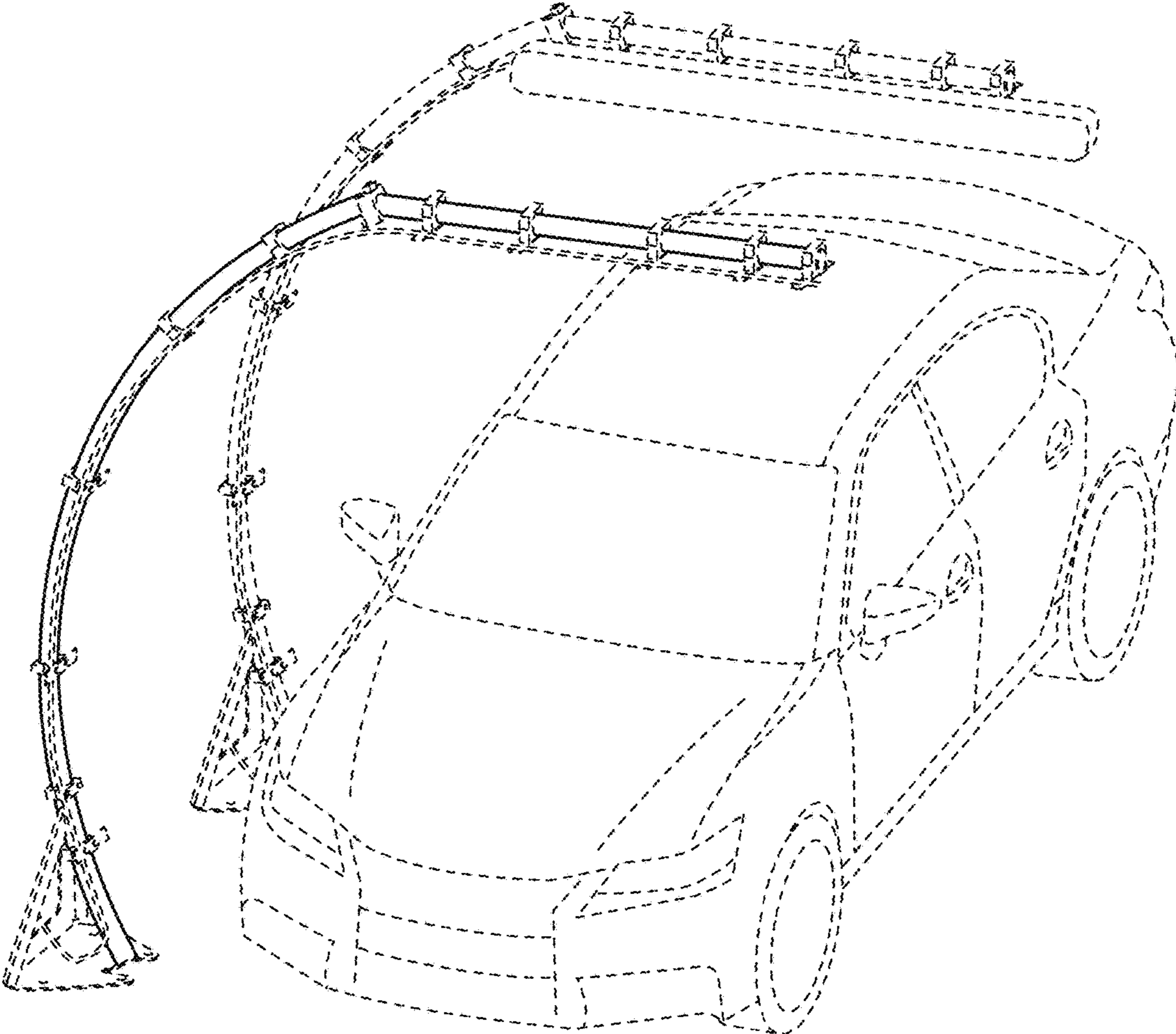


FIG. 9