



US00D833691S

(12) **United States Design Patent** (10) **Patent No.:** **US D833,691 S**
Chavez et al. (45) **Date of Patent:** **** Nov. 13, 2018**

- (54) **WIRE FRAME RACK FOR DISHWASHER**
- (71) Applicants: **BSH Home Appliances Corporation**, Irvine, CA (US); **BSH Hausgeräte GmbH**, Munich (DE)
- (72) Inventors: **David Chavez**, San Francisco, CA (US); **Casey Carr**, New Bern, NC (US); **Matthew Richards**, New Bern, NC (US); **Michael Justis**, New Bern, NC (US)
- (73) Assignees: **BSH Home Appliances Corporation**, Irvine, CA (US); **BSH Hausgeräte GmbH**, Munich (DE)

D393,505 S *	4/1998	Good	D32/3
D398,092 S *	9/1998	Good	D32/3
D403,472 S *	12/1998	Goodin	D32/3
D404,176 S *	1/1999	Goodin	D32/3
D412,607 S *	8/1999	Goodin	D32/3
D481,179 S *	10/2003	Wendt	D3/309
D488,594 S *	4/2004	Wendt	D32/3
D506,855 S *	6/2005	Compagnucci	D32/3
D516,757 S *	3/2006	Hedstrom	A47L 15/503
				D32/2
D640,842 S *	6/2011	Eng	D32/3
D683,504 S *	5/2013	Clores	D32/3
D688,426 S *	8/2013	Clores	D32/3
D725,325 S *	3/2015	Lee	D32/3
D725,851 S *	3/2015	Lee	D32/3

(Continued)

(**) Term: **15 Years**

(21) Appl. No.: **29/548,834**

(22) Filed: **Dec. 17, 2015**

(51) **LOC (11) Cl.** **15-05**

(52) **U.S. Cl.**
USPC **D32/3**

(58) **Field of Classification Search**
USPC D32/1, 2, 3, 25, 33
CPC A47L 15/50; A47L 15/504; A47L 15/505;
A47L 15/501; A47L 15/0084; A47L
15/503; A47L 15/44
See application file for complete search history.

(56) **References Cited**

U.S. PATENT DOCUMENTS

3,182,854 A *	5/1965	Geller	A47L 15/502
				206/553
D213,130 S *	1/1969	Keen	D32/3
D232,972 S *	9/1974	Vilen	D32/3
4,830,200 A *	5/1989	Zambano	A47L 15/505
				211/133.5
D306,786 S *	3/1990	Ling	D32/3
D314,256 S *	1/1991	Patera	D32/3

Primary Examiner — Michelle E. Wilson

(74) *Attorney, Agent, or Firm* — Michael E. Tschupp;
Andre Pallapies; Brandon G. Braun

(57) **CLAIM**

The ornamental design for a wire frame rack for dishwasher, as shown and described.

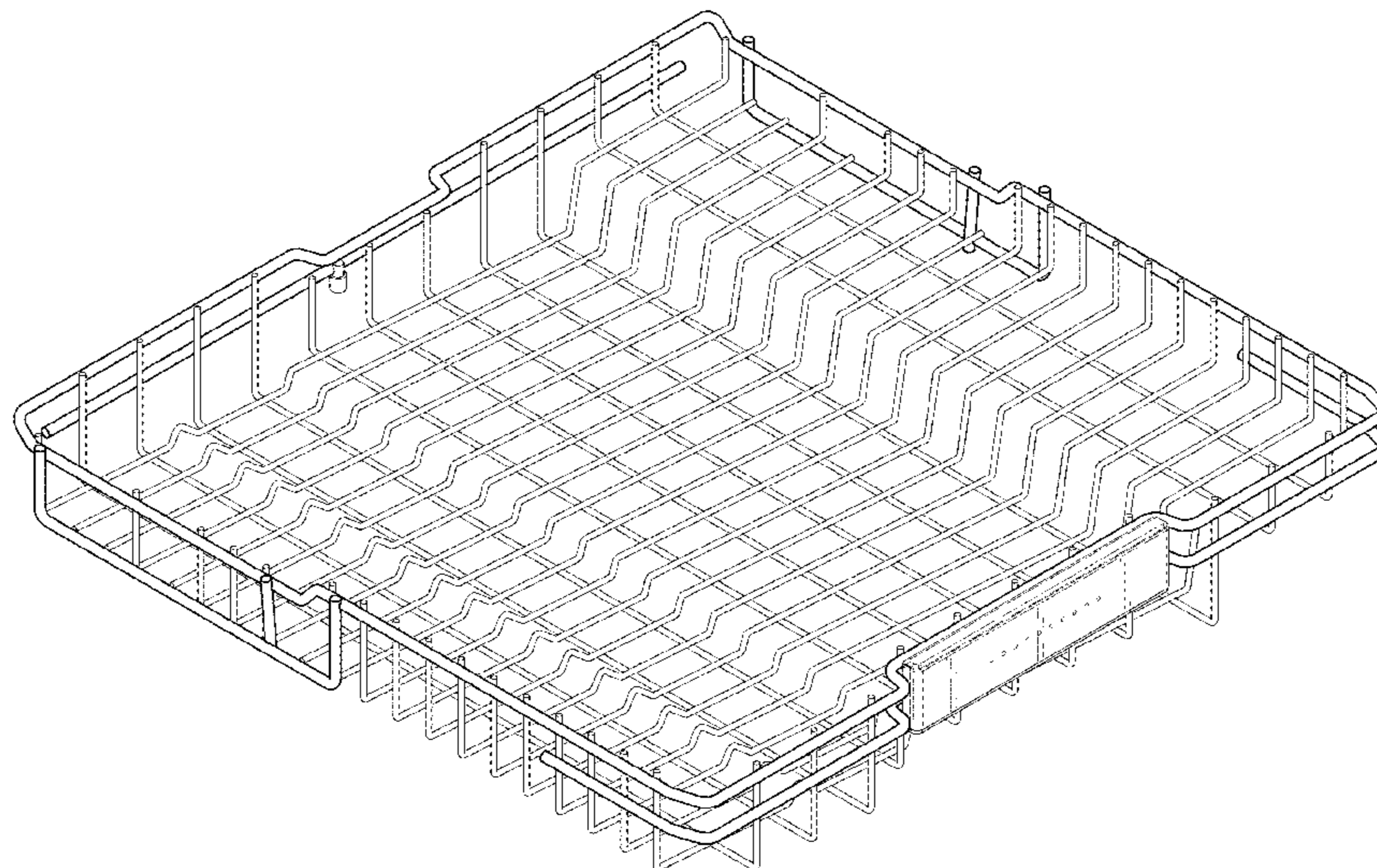
DESCRIPTION

FIG. 1 is a perspective view of a wire frame rack for dishwasher according to an embodiment of my new ornamental design;
FIG. 2 is a front view thereof;
FIG. 3 is a rear view thereof;
FIG. 4 is a left side view thereof;
FIG. 5 is a right side view thereof;
FIG. 6 is a top view thereof; and,
FIG. 7 is a bottom view thereof.

The broken lines represent environmental structure or unclaimed portions of the rack and do not form a portion of the claimed design.

The dotted lines represent the border between claimed and unclaimed subject matter and do not form a part of the claimed design.

1 Claim, 5 Drawing Sheets



(56)

References Cited

U.S. PATENT DOCUMENTS

D752,299 S *	3/2016	Clores	D32/3
D762,019 S *	7/2016	Ferencevich	D32/3
D762,020 S *	7/2016	Kahwaji	D32/3

* cited by examiner

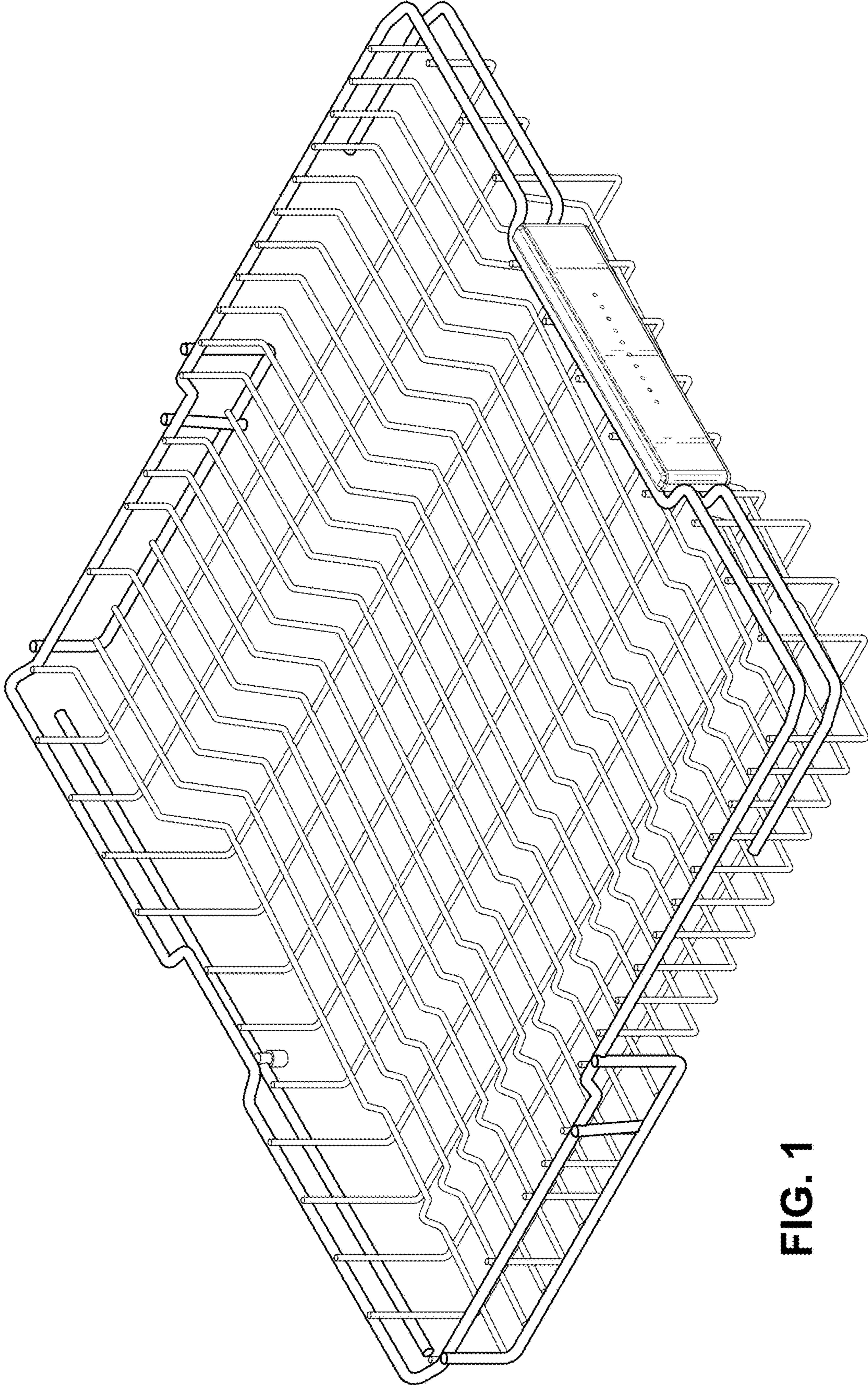


FIG. 1

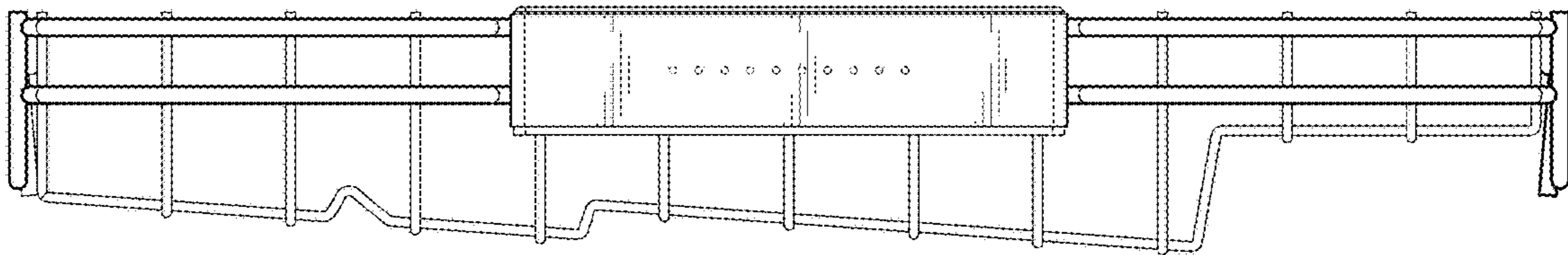


FIG. 2

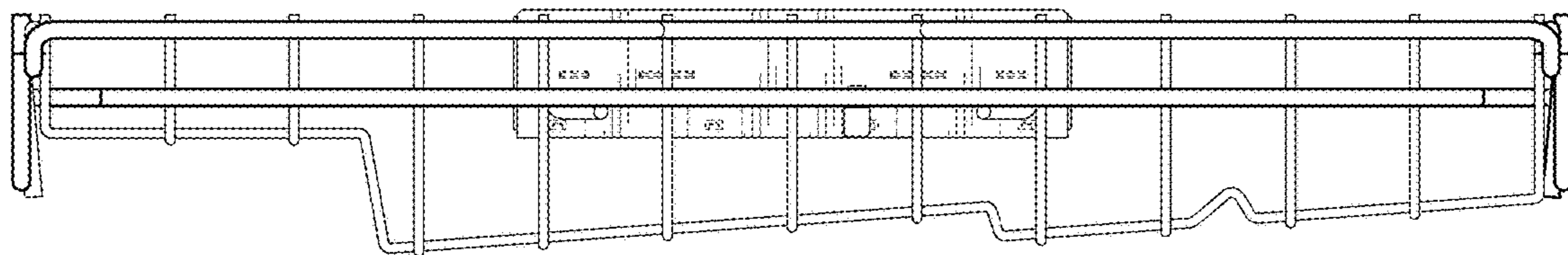


FIG. 3

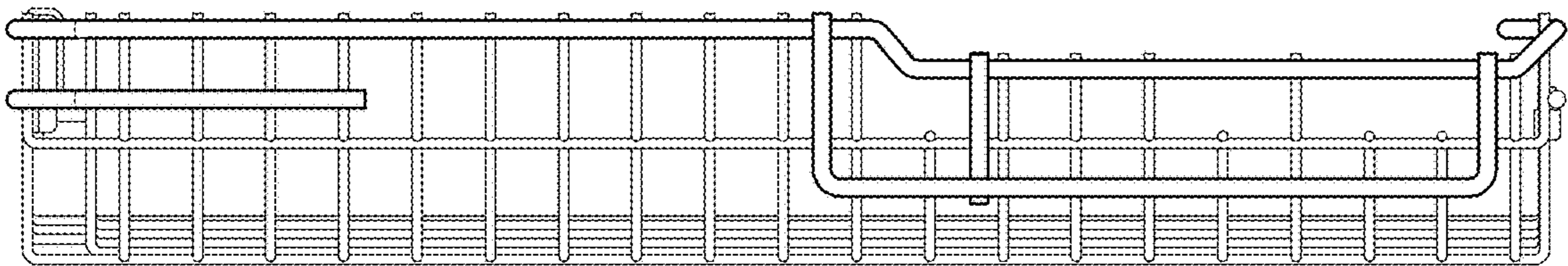


FIG. 4

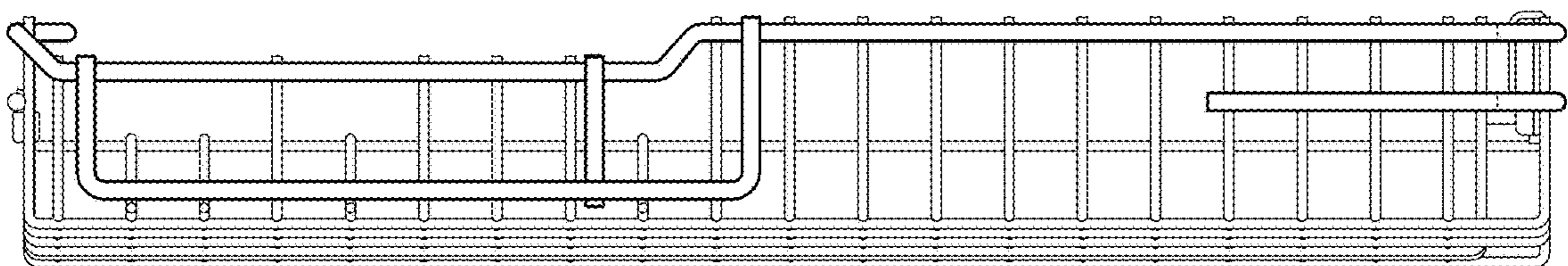


FIG. 5

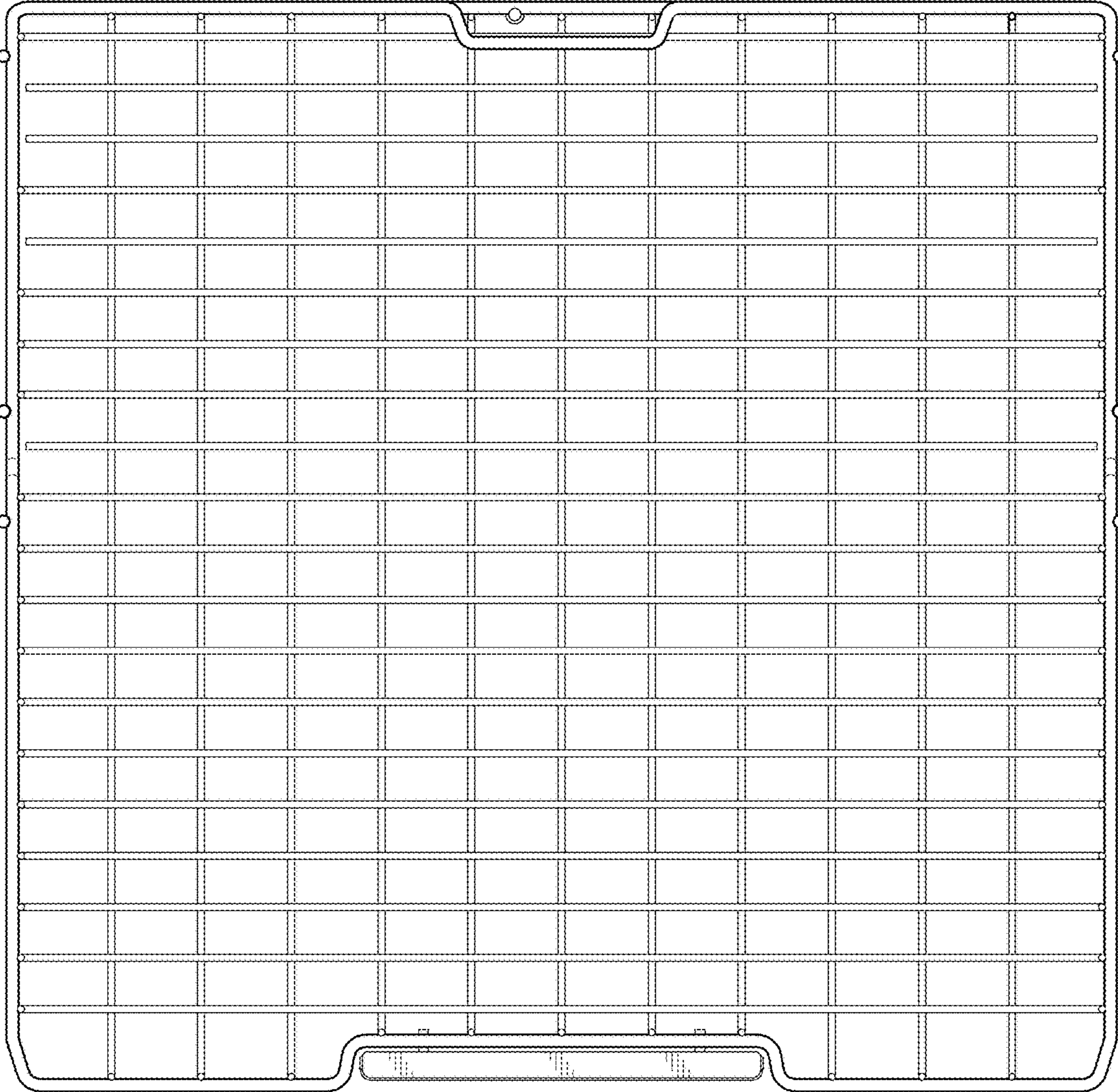


FIG. 6

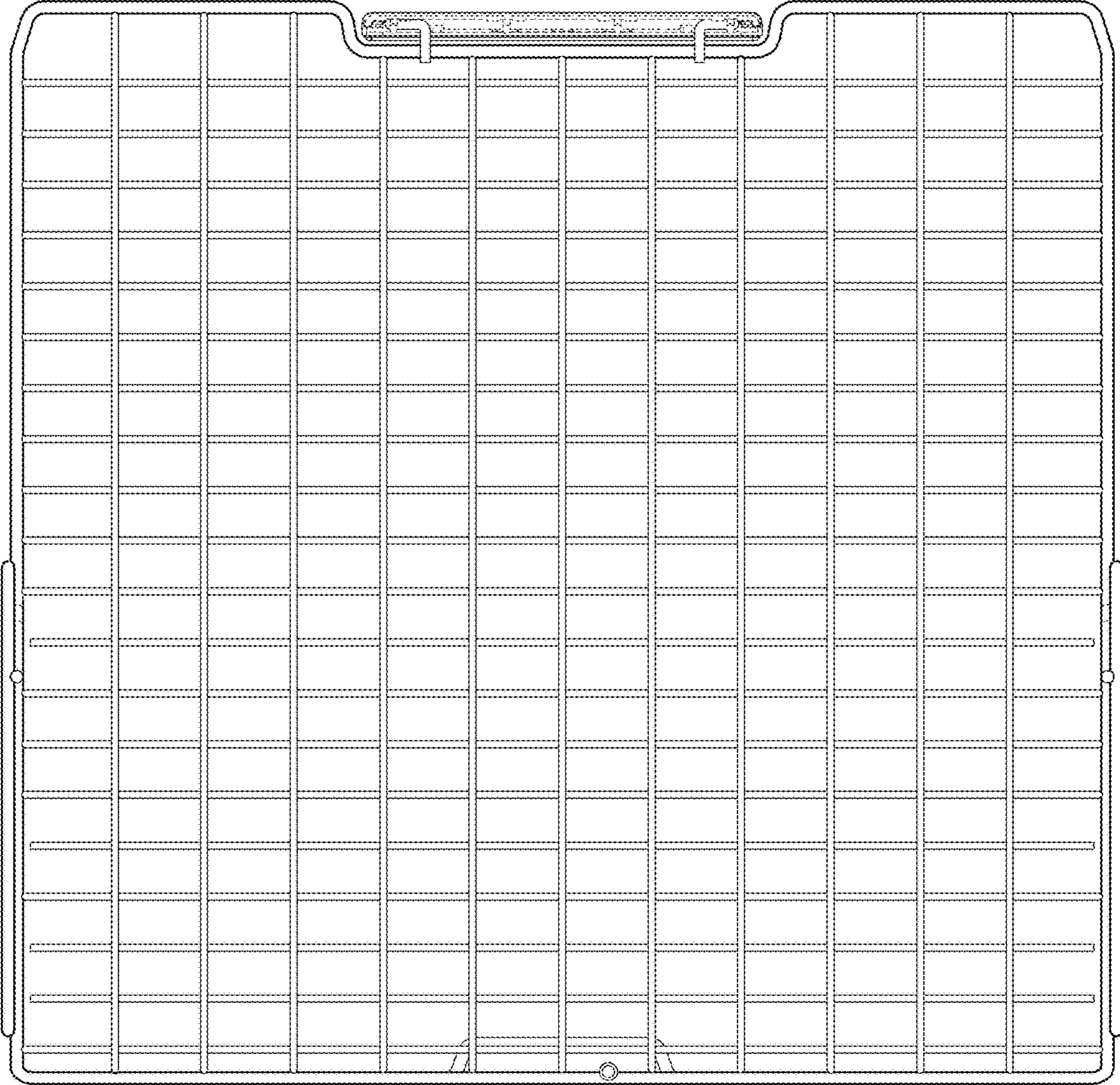


FIG. 7