



US00D833690S

(12) **United States Design Patent** (10) **Patent No.:** **US D833,690 S**  
**Kim et al.** (45) **Date of Patent:** **\*\* Nov. 13, 2018**

(54) **DOOR FOR DISHWASHER**  
 (71) Applicant: **SAMSUNG ELECTRONICS CO., LTD.**, Suwon-si, Gyeonggi-do (KR)  
 (72) Inventors: **Daejong Kim**, Suwon-si (KR); **Jongsu Jeon**, Seongnam-si (KR)  
 (73) Assignee: **SAMSUNG ELECTRONICS CO., LTD.**, Gyeonggi-Do (KR)  
 (\*\*) Term: **15 Years**  
 (21) Appl. No.: **29/601,124**

D558,409 S *	12/2007	Pezzetta .....	D32/3
D559,477 S *	1/2008	Pietruska .....	D32/2
D559,478 S *	1/2008	Jung .....	D32/2
D571,062 S *	6/2008	Suh .....	D32/2
D622,914 S *	8/2010	Crookshanks .....	D32/3
D622,915 S *	8/2010	Crookshanks .....	D32/3
D665,956 S *	8/2012	Eng .....	D32/2
D668,404 S *	10/2012	Eng .....	D32/3
D672,101 S *	12/2012	Eng .....	D32/3
D675,792 S *	2/2013	Eng .....	D32/3
D681,290 S *	4/2013	Eng .....	D32/3
D684,734 S *	6/2013	Eng .....	D32/3
D685,149 S *	6/2013	Eng .....	D32/3
D698,506 S *	1/2014	Eng .....	D32/3
D698,507 S *	1/2014	Eng .....	D32/3
D702,897 S *	4/2014	Eng .....	D32/3

(Continued)

(22) Filed: **Apr. 19, 2017**  
 (30) **Foreign Application Priority Data**  
 Oct. 20, 2016 (KR) ..... 30-2016-0050451  
 (51) **LOC (11) Cl.** ..... **15-05**  
 (52) **U.S. Cl.**  
 USPC ..... **D32/2**  
 (58) **Field of Classification Search**  
 USPC ..... D7/340, 348; D32/2, 6, 8, 10, 25  
 CPC .... A47L 15/22; A47L 15/449; A47L 15/4463;  
 A47L 15/4445; A47L 15/4295; A47L  
 15/0055; A47L 15/0057; A47L 2301/04;  
 A47L 2501/07  
 See application file for complete search history.

**FOREIGN PATENT DOCUMENTS**

KR	300353331 S	6/2004
KR	300477110 S	1/2008
KR	300862934 S	7/2016

*Primary Examiner* — Michelle E. Wilson  
 (74) *Attorney, Agent, or Firm* — Cantor Colburn LLP

(57) **CLAIM**

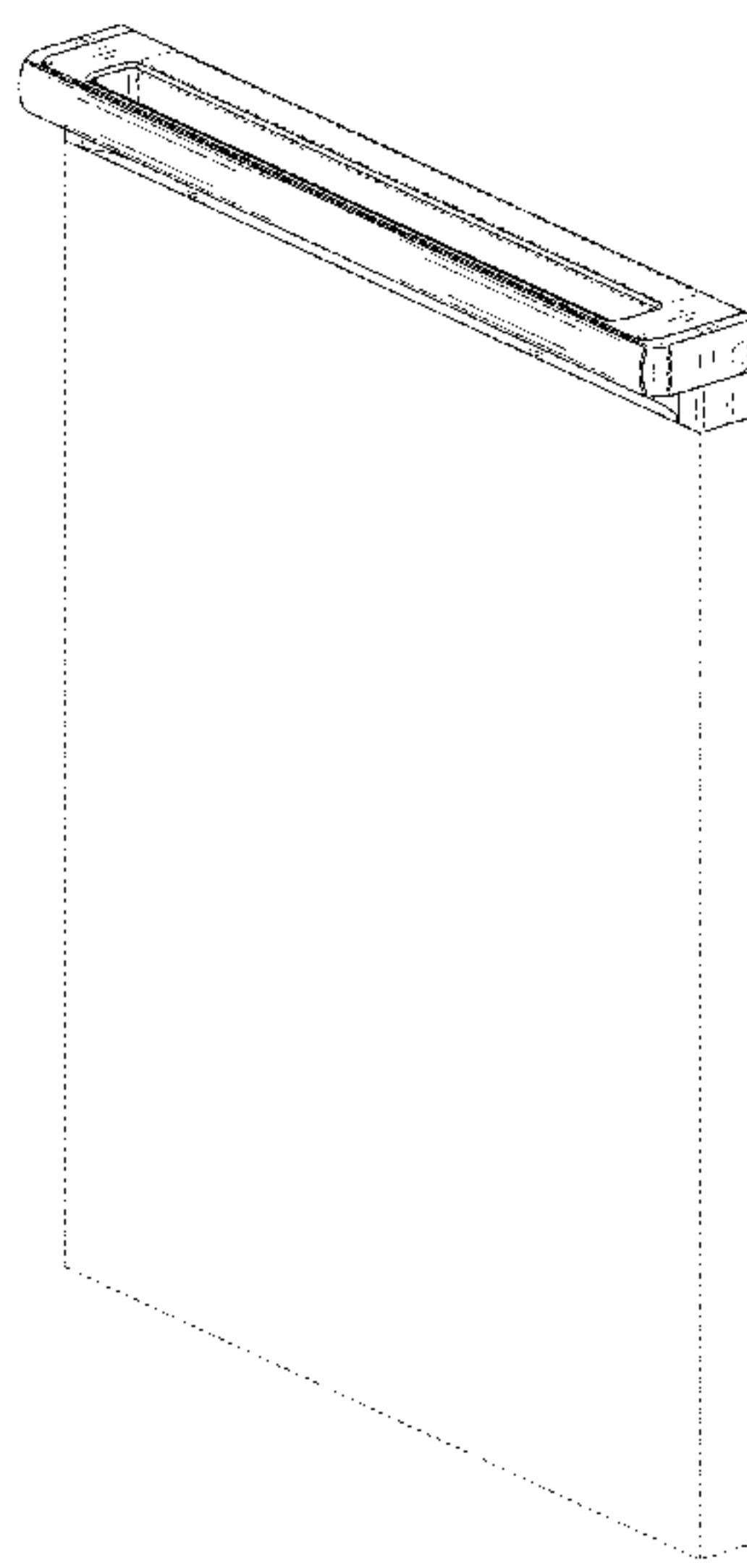
The ornamental design for a door for dishwasher, as shown and described.

**DESCRIPTION**

FIG. 1 is a front perspective view of a door for dishwasher, showing our new design;  
 FIG. 2 is a front view thereof;  
 FIG. 3 is a rear view thereof;  
 FIG. 4 is a left side view thereof;  
 FIG. 5 is a right side view thereof;  
 FIG. 6 is a top view thereof; and,  
 FIG. 7 is a bottom view thereof.  
 The broken lines illustrating portions of the door for dishwasher form no part of the claimed design.

**1 Claim, 7 Drawing Sheets**

(56) **References Cited**  
 U.S. PATENT DOCUMENTS  
 D425,676 S \* 5/2000 Roberts ..... D32/3  
 D480,520 S \* 10/2003 Resuello ..... D32/3  
 D516,758 S \* 3/2006 Kirk ..... D32/3  
 D517,252 S \* 3/2006 Kirk ..... D32/3  
 D519,689 S \* 4/2006 Ott ..... D32/3  
 D539,994 S \* 4/2007 Pezzetta ..... D32/3  
 D540,497 S \* 4/2007 Song ..... D32/2  
 D549,404 S \* 8/2007 Jeon ..... D32/2



(56)

References Cited

U.S. PATENT DOCUMENTS

D702,899	S	*	4/2014	Eng	.....	D32/3
D703,395	S	*	4/2014	Choi	.....	D32/2
D706,502	S	*	6/2014	Eng	.....	D32/3
D706,997	S	*	6/2014	Eng	.....	D32/3
D720,100	S	*	12/2014	Roberson	.....	D32/3
D729,992	S	*	5/2015	Haft	.....	D32/3
D730,593	S	*	5/2015	Eng	.....	D32/3
D732,758	S	*	6/2015	Roberson	.....	D32/3
D732,759	S	*	6/2015	Roberson	.....	D32/3
D732,761	S	*	6/2015	Roberson	.....	D32/3
D734,902	S	*	7/2015	Eng	.....	D32/3
D741,031	S	*	10/2015	Roberson	.....	D32/3
D743,119	S	*	11/2015	Roberson	.....	D32/3
D743,121	S	*	11/2015	Roberson	.....	D32/3
D743,642	S	*	11/2015	Lee	.....	D32/3
D745,755	S	*	12/2015	Roberson	.....	D32/3
D746,003	S	*	12/2015	Shin	.....	D32/2
D748,353	S	*	1/2016	Roberson	.....	D32/3
D748,875	S	*	2/2016	Roberson	.....	D26/42
D758,026	S	*	5/2016	Choi	.....	D32/3
D758,679	S	*	6/2016	Yoon	.....	D14/486
D760,452	S	*	6/2016	Roberson	.....	D32/2
D762,334	S	*	7/2016	Kim	.....	D32/3
D765,923	S	*	9/2016	Roberson	.....	D32/3
D775,770	S	*	1/2017	Yoon	.....	D32/2
D778,009	S	*	1/2017	Roberson	.....	D32/3
D791,418	S	*	7/2017	Warren	.....	D32/3
D801,600	S	*	10/2017	Kim	.....	D32/2
2003/0205954	A1	*	11/2003	Oyler	.....	A47L 15/4265 312/311
2004/0201337	A1	*	10/2004	Wuestefeld	.....	A47L 15/4265 312/311

\* cited by examiner

FIG. 1

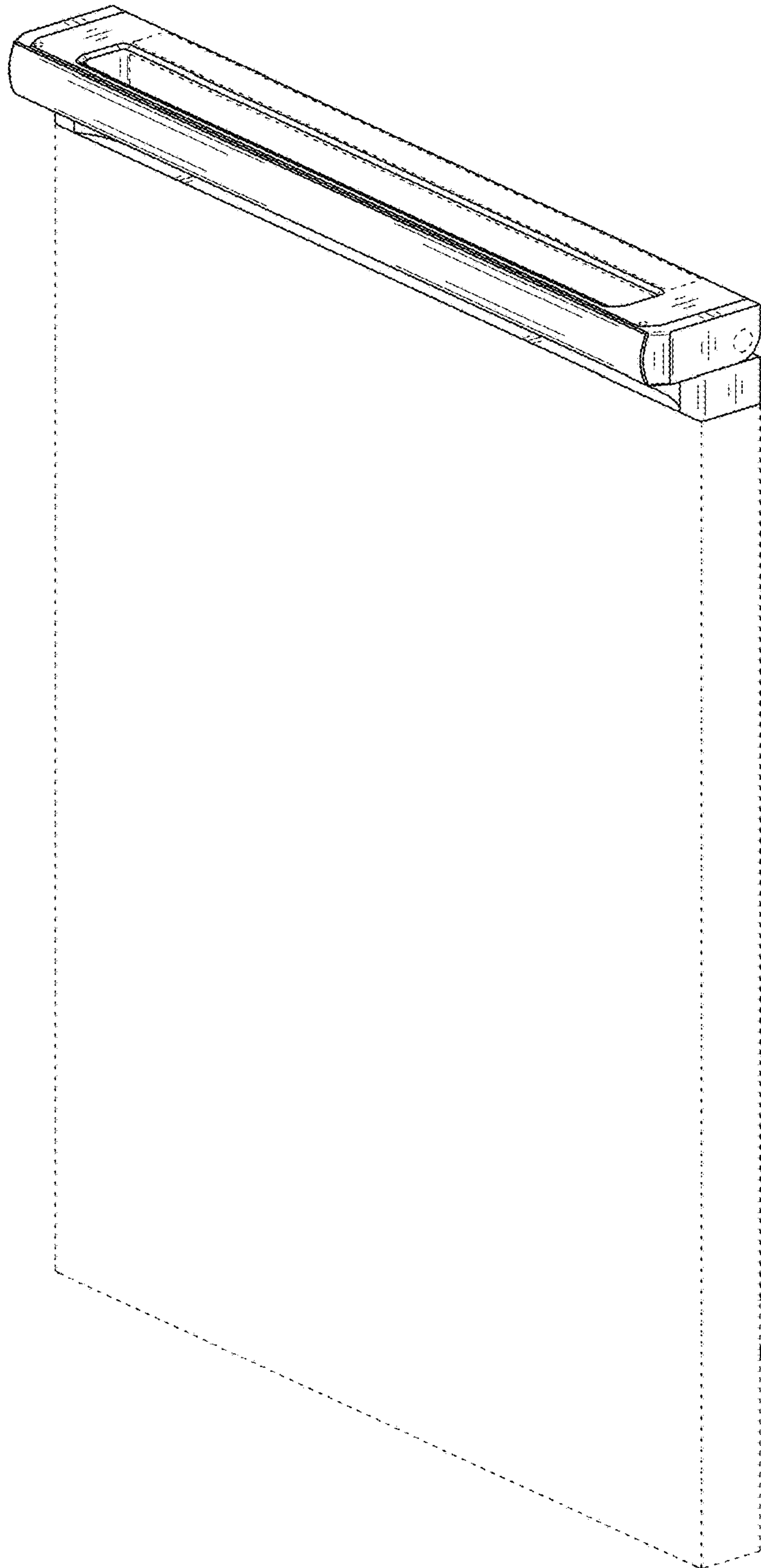


FIG. 2

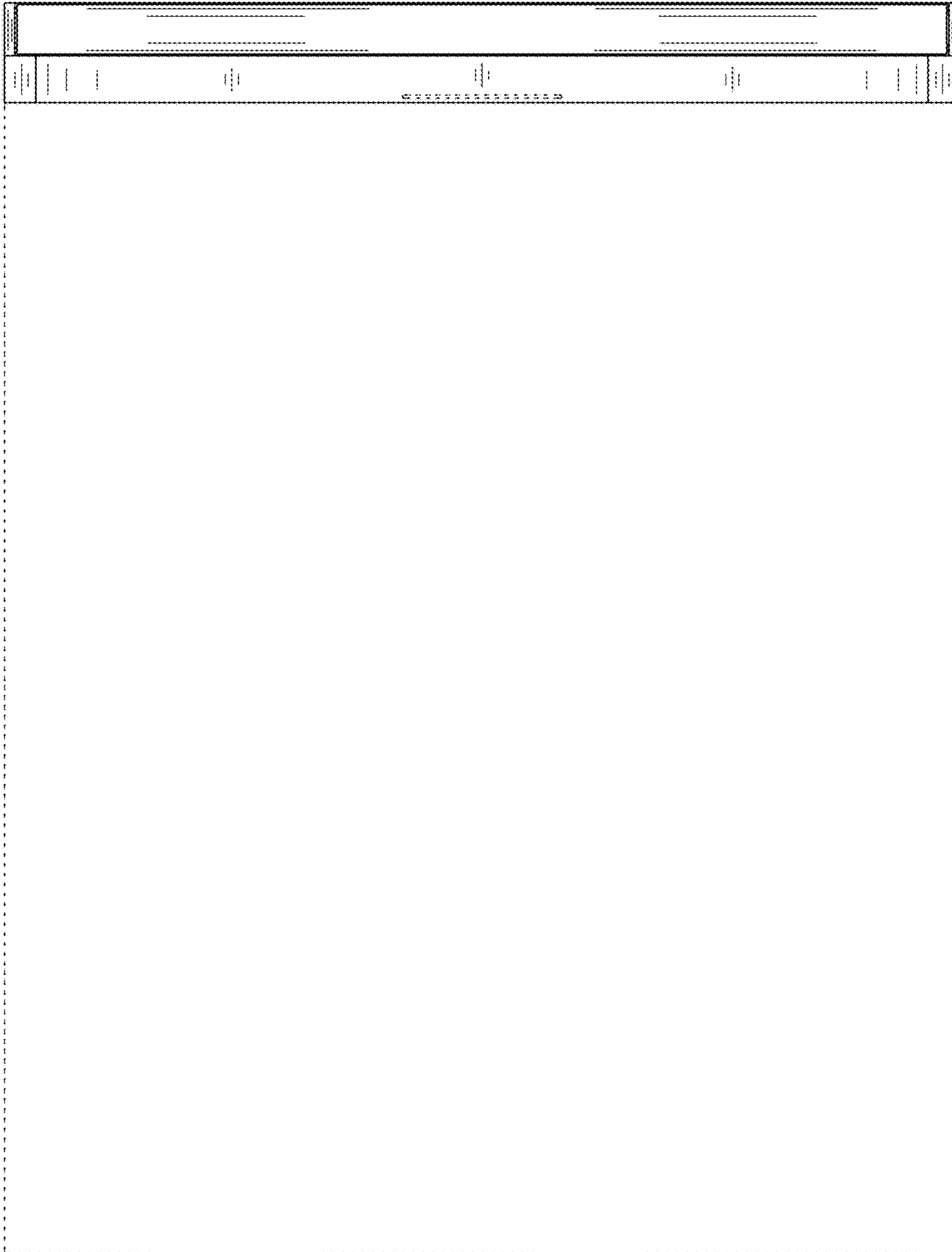


FIG. 3

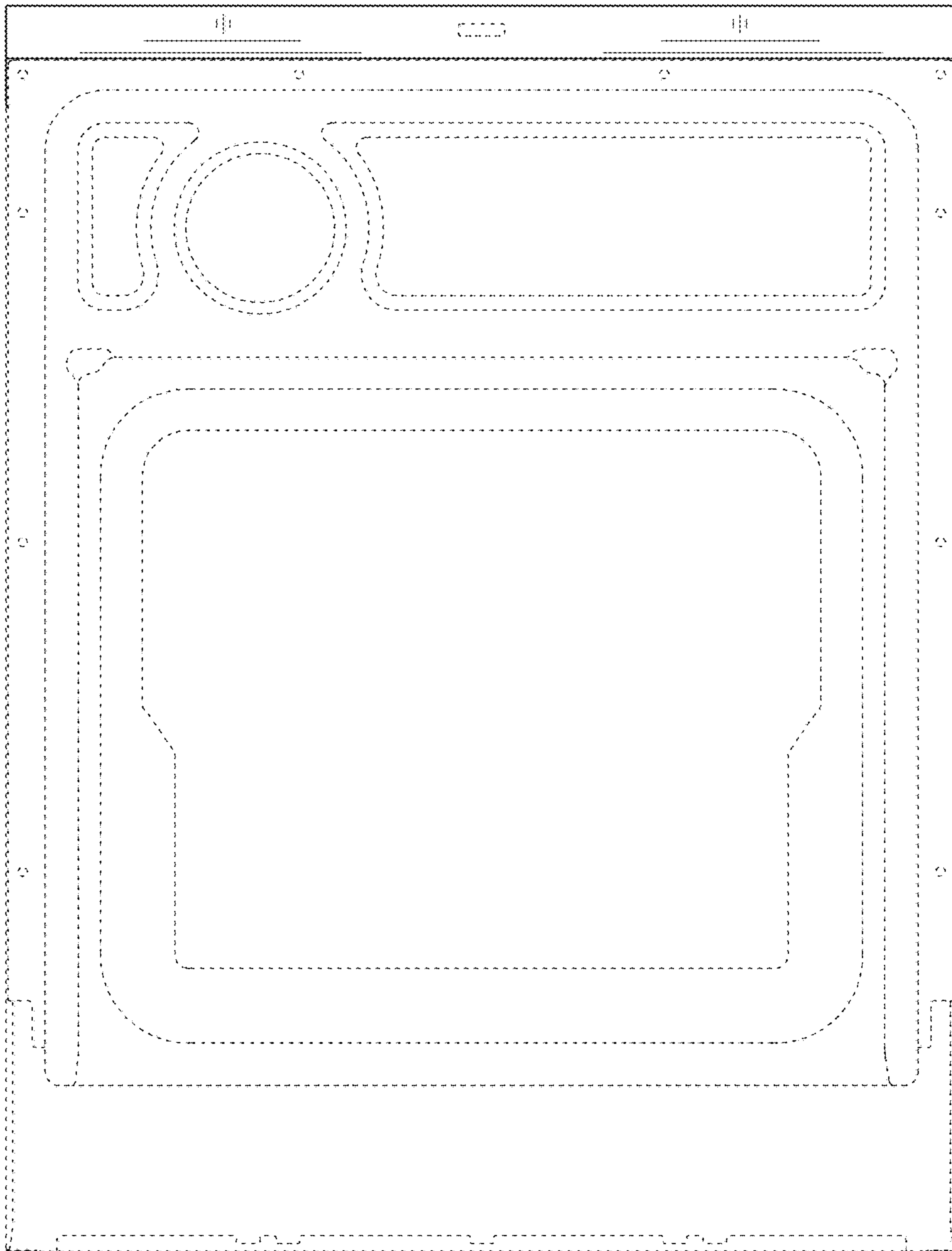


FIG. 4

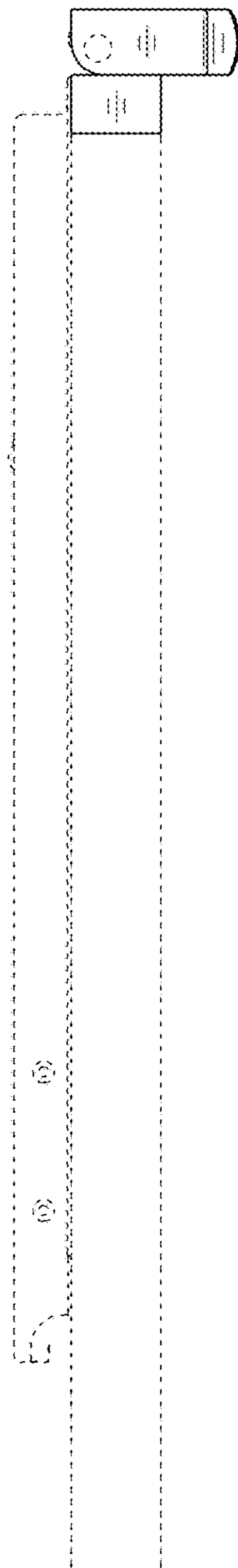


FIG. 5

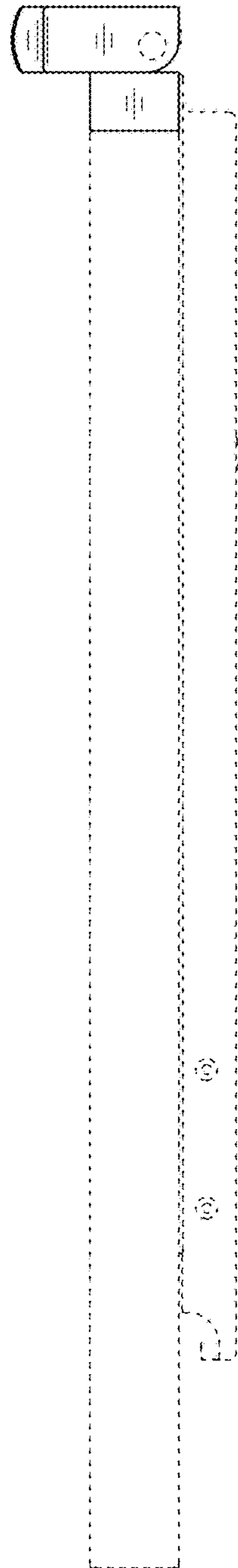




FIG. 6

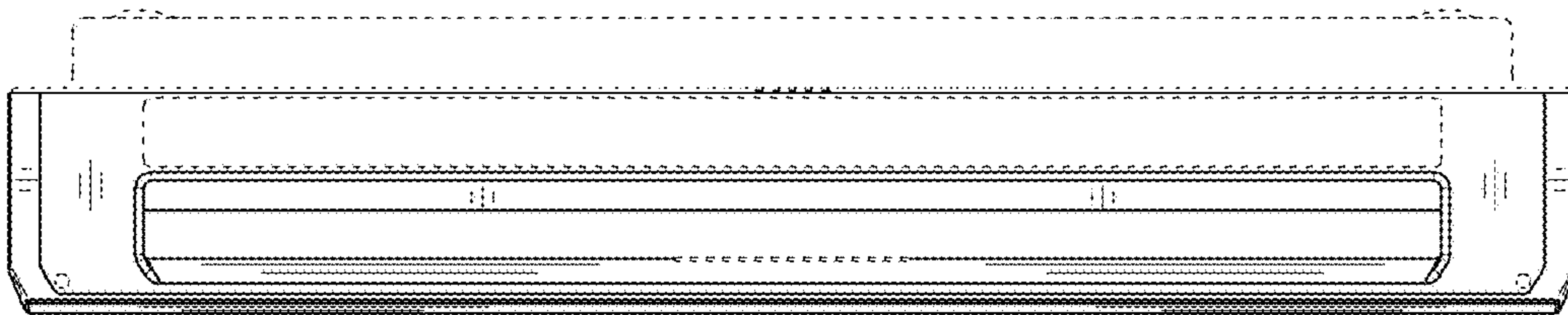




FIG. 7

