



US00D833687S

(12) **United States Design Patent** (10) **Patent No.:** **US D833,687 S**
Song (45) **Date of Patent:** **** Nov. 13, 2018**

(54) **PET BED**
(71) Applicant: **Worldwise, Inc.**, Novato, CA (US)
(72) Inventor: **Wonjung Song**, San Francisco, CA (US)
(73) Assignee: **Worldwise, Inc.**, Novato, CA (US)
(**) Term: **15 Years**
(21) Appl. No.: **29/574,954**
(22) Filed: **Aug. 19, 2016**
(51) **LOC (11) Cl.** **30-01**
(52) **U.S. Cl.**
USPC **D30/118; D6/601**
(58) **Field of Classification Search**
USPC D30/118, 117, 108; D6/390, 349, 596,
D6/601, 604, 605, 583, 381; D28/8.1;
119/28.5
CPC A01K 1/0353; A01K 1/035; A01K 1/034;
A01K 1/033; A01K 1/03
See application file for complete search history.

(56) **References Cited**
U.S. PATENT DOCUMENTS

D102,970 S * 1/1937 Goodstein D6/603
3,093,407 A * 6/1963 Wilson A47C 7/021
297/382
4,480,347 A * 11/1984 Hawkins A47G 9/0253
5/490
5,107,558 A * 4/1992 Luck A47C 27/146
5/702
D353,072 S * 12/1994 Cornell, Jr. D6/595
D357,589 S * 4/1995 Langhammer 5/945
D381,234 S * 7/1997 Lupoff 5/636
6,192,538 B1 * 2/2001 Fogel A47C 27/001
5/685
D561,952 S * 2/2008 Lamstein D30/118
D612,547 S * 3/2010 Zine D30/118
D614,816 S * 4/2010 Zine D30/118
D679,870 S * 4/2013 Williams D30/118

D751,322 S * 3/2016 Reynolds D6/601
D822,910 S * 7/2018 Pelz D30/118
2015/0237824 A1 * 8/2015 Cantwell A01K 1/0353
119/482

OTHER PUBLICATIONS

MidWest Quiet Time Fashion Pet Bed & Crate Mat Pink, announced Apr. 8, 2014 [online], [site visited Jan. 22, 2018] Available from Internet URL: <https://www.chewy.com/midwest-quiet-time-fashion-pet-bed/dp/102238>.*
MidWest Quiet Time Deluxe Double Bolster Pet Bed Fleece, announced Sep. 12, 2015 [online], [site visited Jan. 22, 2018] Available from Internet URL: <https://www.chewy.com/midwest-quiet-time-deluxe-double/dp/118114>.*

(Continued)

Primary Examiner — Barbara Fox
Assistant Examiner — Mary C Ramirez
(74) *Attorney, Agent, or Firm* — Bay Area Technology Law Group PC

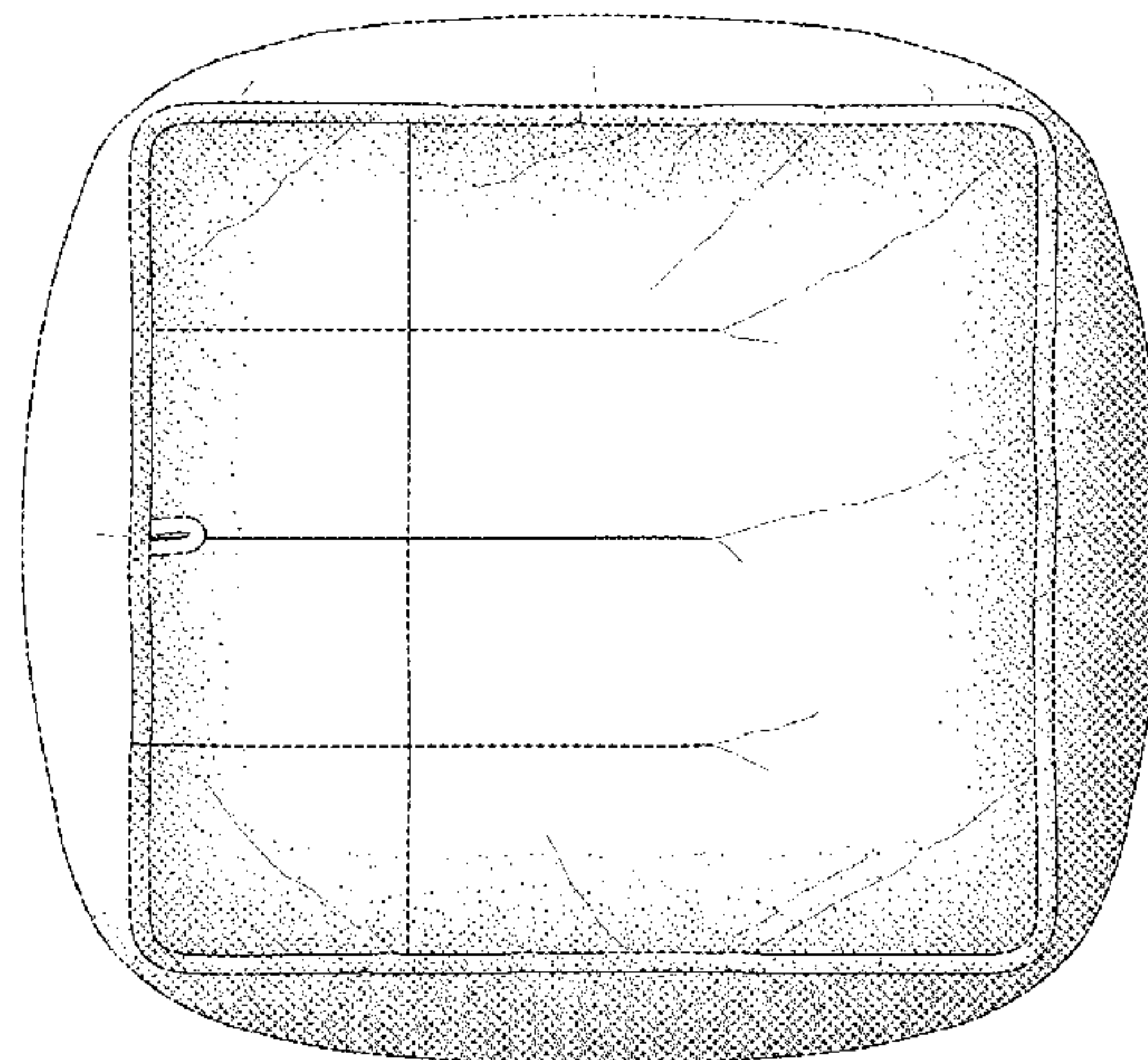
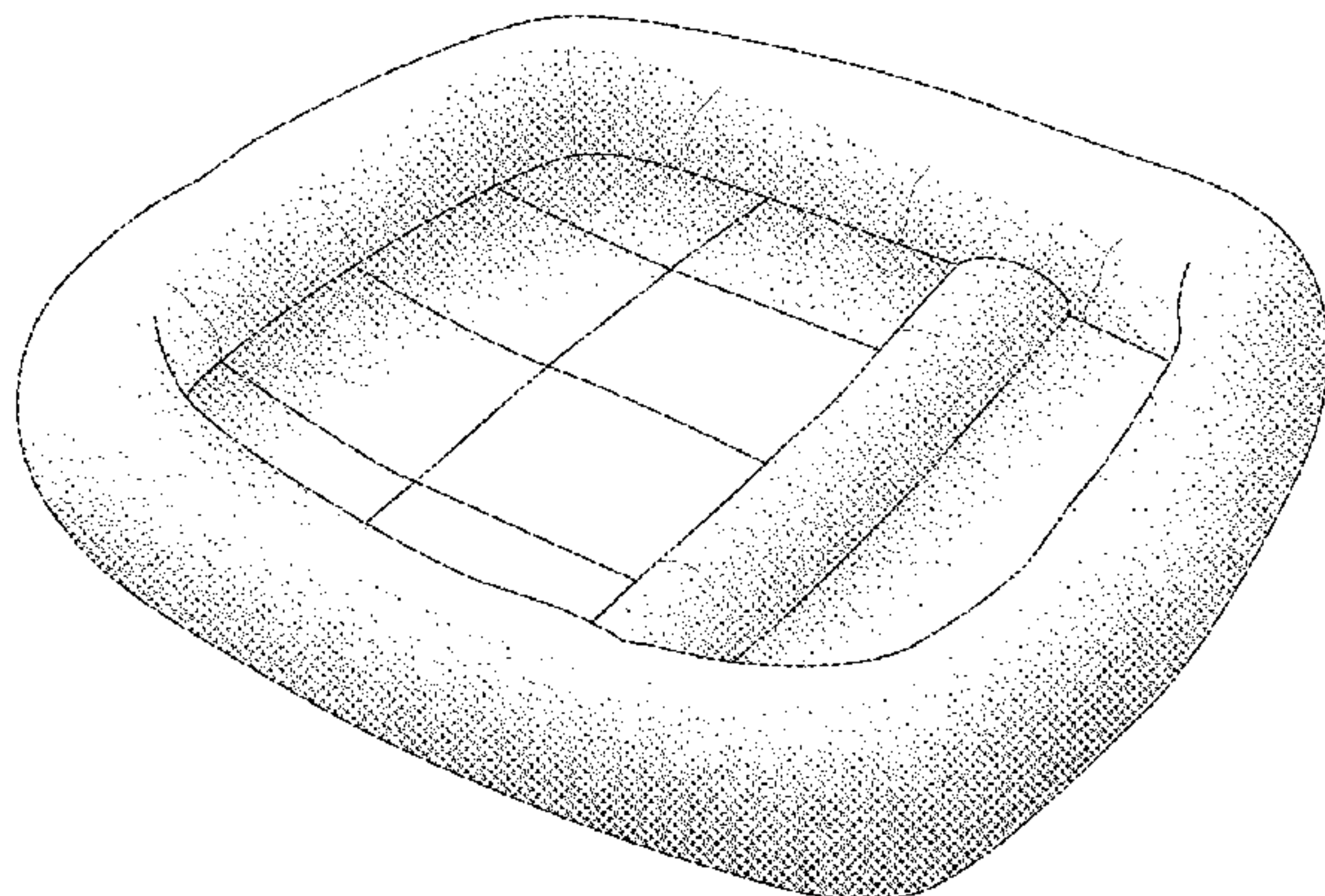
(57) **CLAIM**

The ornamental design for a pet bed, as shown and described.

DESCRIPTION

FIG. 1 is a perspective view of a pet bed showing my new design;
FIG. 2 is a top view of FIG. 1;
FIG. 3 is a bottom view of FIG. 1;
FIG. 4 is a front view of FIG. 1;
FIG. 5 is a back view of FIG. 1;
FIG. 6 is a left side view of FIG. 1; and,
FIG. 7 is a right side view of FIG. 1.

1 Claim, 3 Drawing Sheets



(56)

References Cited

OTHER PUBLICATIONS

MidWest Quiet Time Fleece Pet Bed and Crate Mat Gray, announced Aug. 23, 2013 [online], [site visited Jan. 22, 2018] Available from Internet URL: <<https://www.chewy.com/midwest-quiet-time-fleece-pet-bed/dp/53231>>.*

MidWest Paradise Teflon Fabric Protector Pet Bed Green Floral, announced Dec. 7, 2015 [online], [site visited Jan. 22, 2018] Available from Internet URL: <<https://www.chewy.com/midwest-paradise-teflon-fabric/dp/117117>>.*

Midwest Quiet Time Pet Bed, announced 2008 [online], [site visited Jan. 22, 2018] Available from Internet URL: <<https://www.petsmart.com/dog/beds-and-furniture/crate-mats/midwest-quiet-time-pet-bed-6357.html?cgid=100293>>.*

Savic Residence Thick Fleece Crate Mat, announced Nov. 22, 2015 [online], [site visited Jan. 22, 2018] Available from Internet URL: <<http://www.muddypaws.co.uk/dog-crates-cages/crate-mats-accessories/residence-thick-fleece-crate-mat/reviews?sid=iplbava6m2r5gnhq6vur36i985>>.*

Quiet Time Maxx Ultra-Rugged Dog Bolster, announced May 23, 2013 [online], [site visited Jan. 22, 2018] Available from Internet URL: <<https://www.wayfair.com/pet/pdp/midwest-homes-for-pets-quiet-time-maxx-ultra-rugged-dog-bolster-mdw1374.html?piid=6699050>>.*

Furhaven Pet NAP Bolster Pet Bed, announced Aug. 5, 2016 [online], [site visited Jan. 22, 2018] Available from Internet URL: <<https://www.wayfair.com/pet/pdp/furhaven-furhaven-pet-nap-bolster-pet-bed-fuh1130.html?piid=17220537>>.*

* cited by examiner

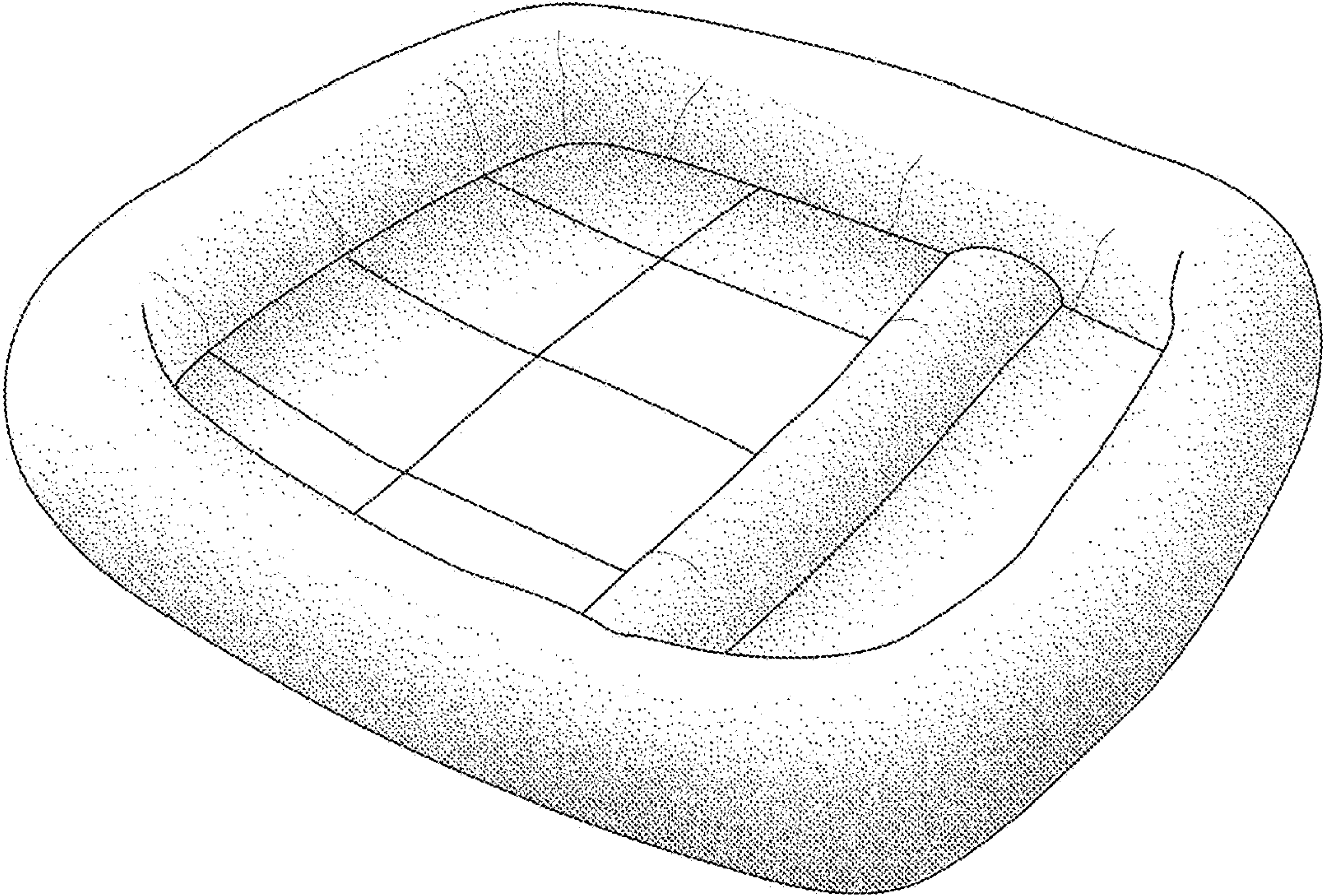


FIG. 1

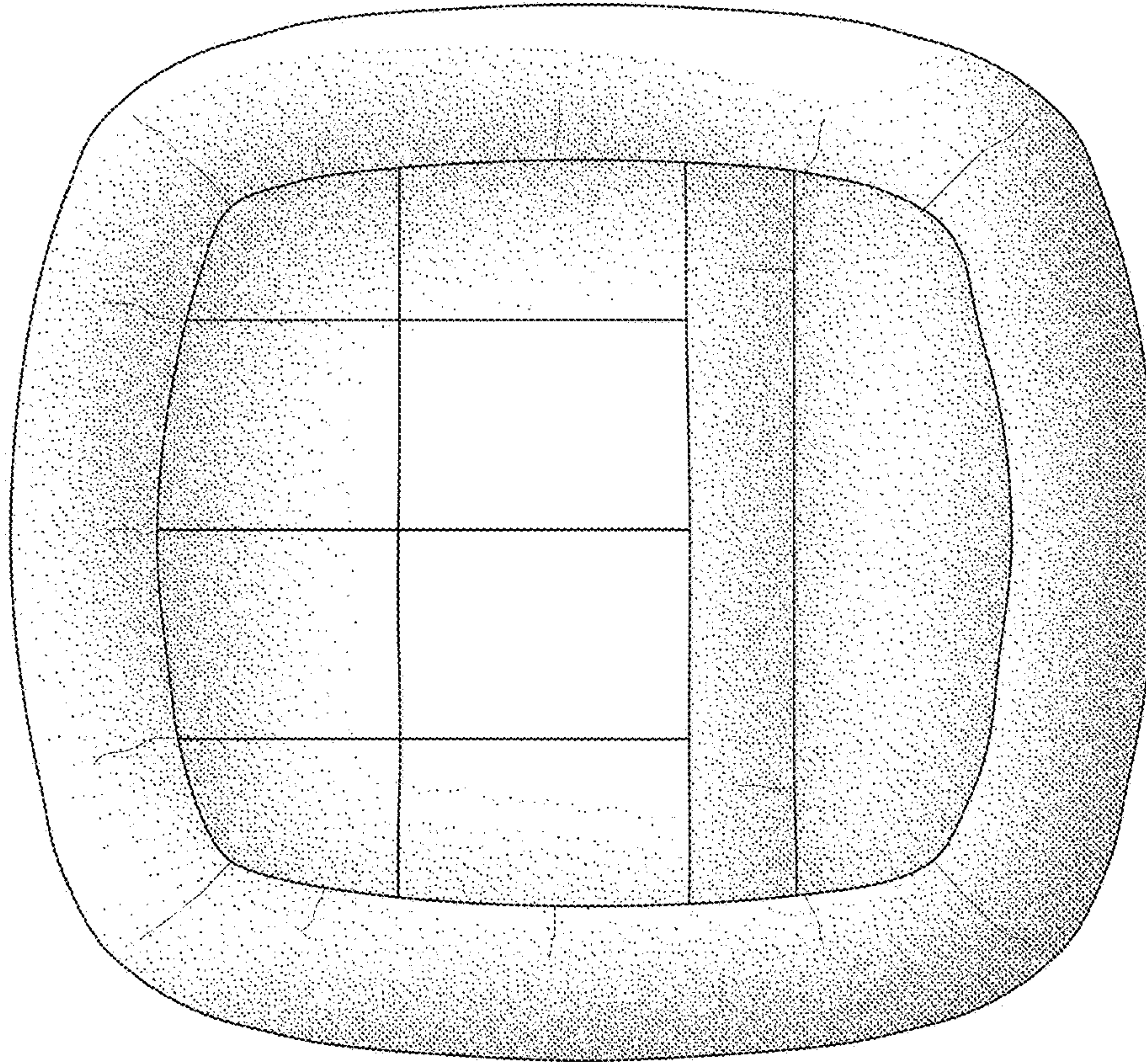


FIG. 2

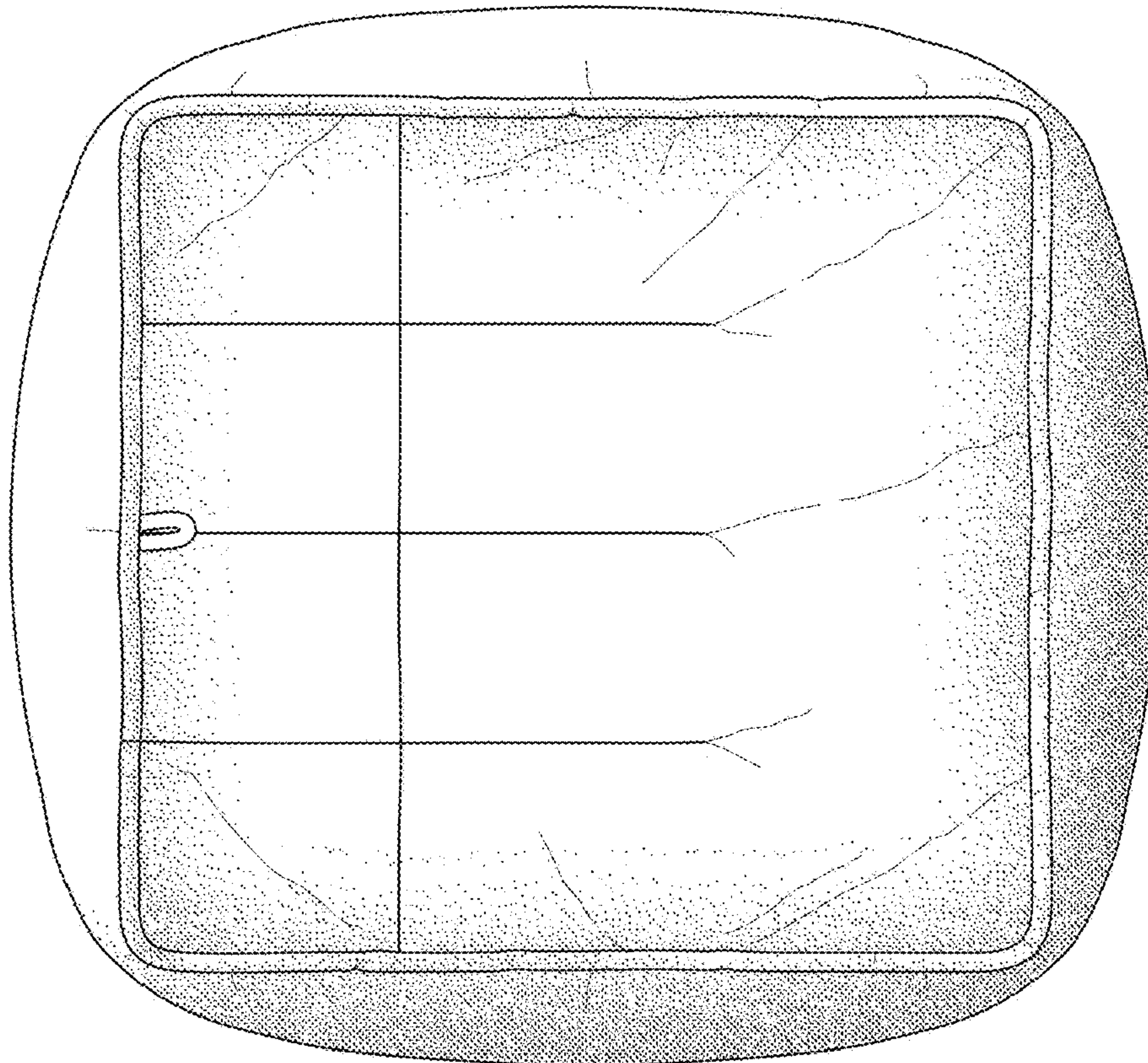


FIG. 3

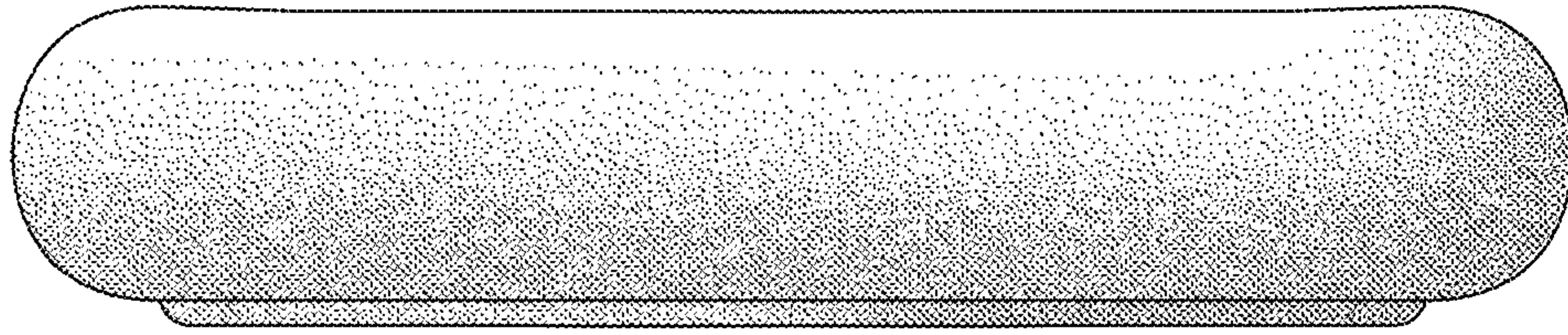


FIG. 4

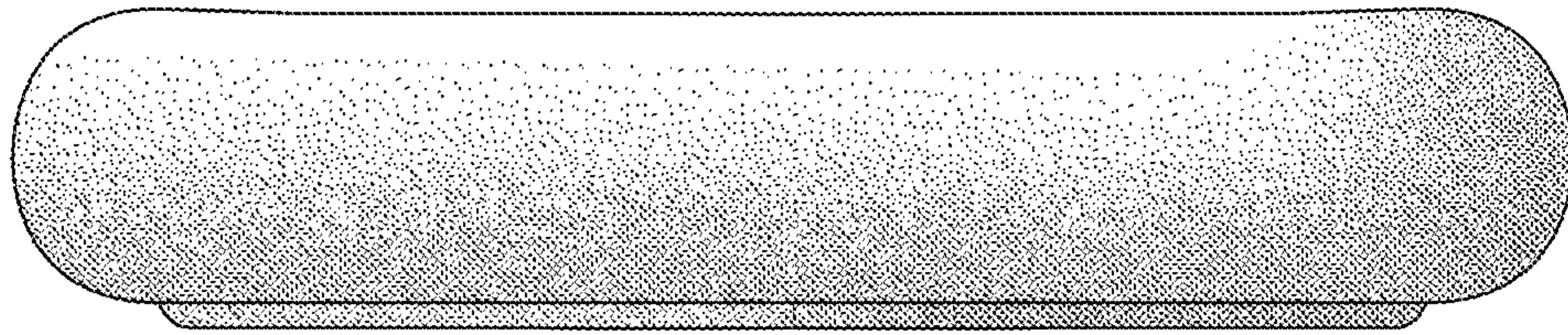


FIG. 5

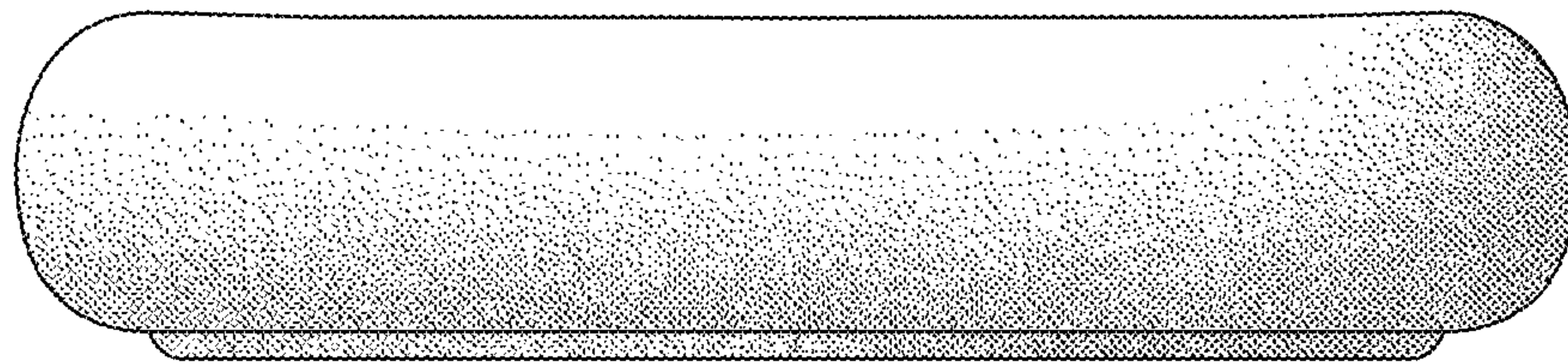


FIG. 6

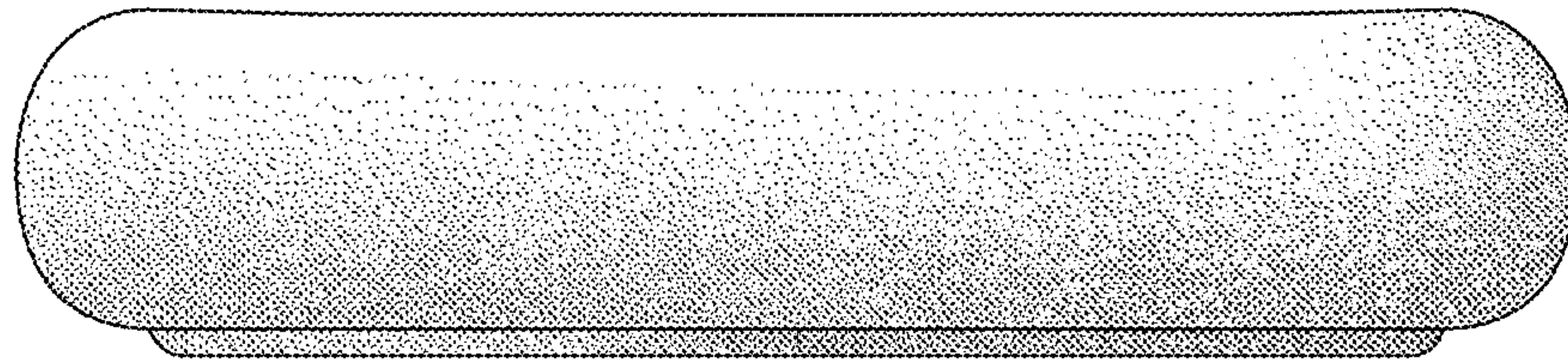


FIG. 7