



US00D833686S

(12) **United States Design Patent** (10) **Patent No.:** **US D833,686 S**  
**Watson et al.** (45) **Date of Patent:** **\*\* Nov. 13, 2018**

(54) **FISH TANK**

(71) Applicant: **PetSmart Home Office, Inc.**, Phoenix, AZ (US)

(72) Inventors: **Jeffery Stocker Watson**, Phoenix, AZ (US); **Gary Steven Chattin**, Scottsdale, AZ (US)

(73) Assignee: **PETSMART HOME OFFICE, INC.**, Phoenix, AZ (US)

(\*\*) Term: **15 Years**

(21) Appl. No.: **29/626,230**

(22) Filed: **Nov. 15, 2017**

(51) **LOC (11) Cl.** ..... **30-02**

(52) **U.S. Cl.**  
USPC ..... **D30/101**

(58) **Field of Classification Search**  
USPC ..... D30/101-107; D11/145; 119/245, 247  
CPC .... A01K 63/003; A01K 63/006; A01K 63/02;  
A01K 63/00  
See application file for complete search history.

(56) **References Cited**

**U.S. PATENT DOCUMENTS**

6,058,884 A \* 5/2000 Rawls ..... A01K 63/006  
119/232  
D701,003 S \* 3/2014 Xu ..... D30/101  
D723,745 S \* 3/2015 Xu ..... D30/101

D795,504 S \* 8/2017 Mei ..... D30/101  
D801,591 S \* 10/2017 Mehdi ..... D30/101  
2006/0238996 A1\* 10/2006 Hones ..... A01K 63/006  
362/127

**OTHER PUBLICATIONS**

Petsmart, "Marineland® 38 Gallon Aquarium Starter Kit", [retrieved on Aug. 7, 2018]. Retrieved from the Internet: <URL:https://www.petsmart.com/fish/starter-kits/marineland-38-gallon-aquarium-starter-kit-5229839.html>.\*

\* cited by examiner

*Primary Examiner* — Wan Laymon

(74) *Attorney, Agent, or Firm* — Fox Rothschild LLP

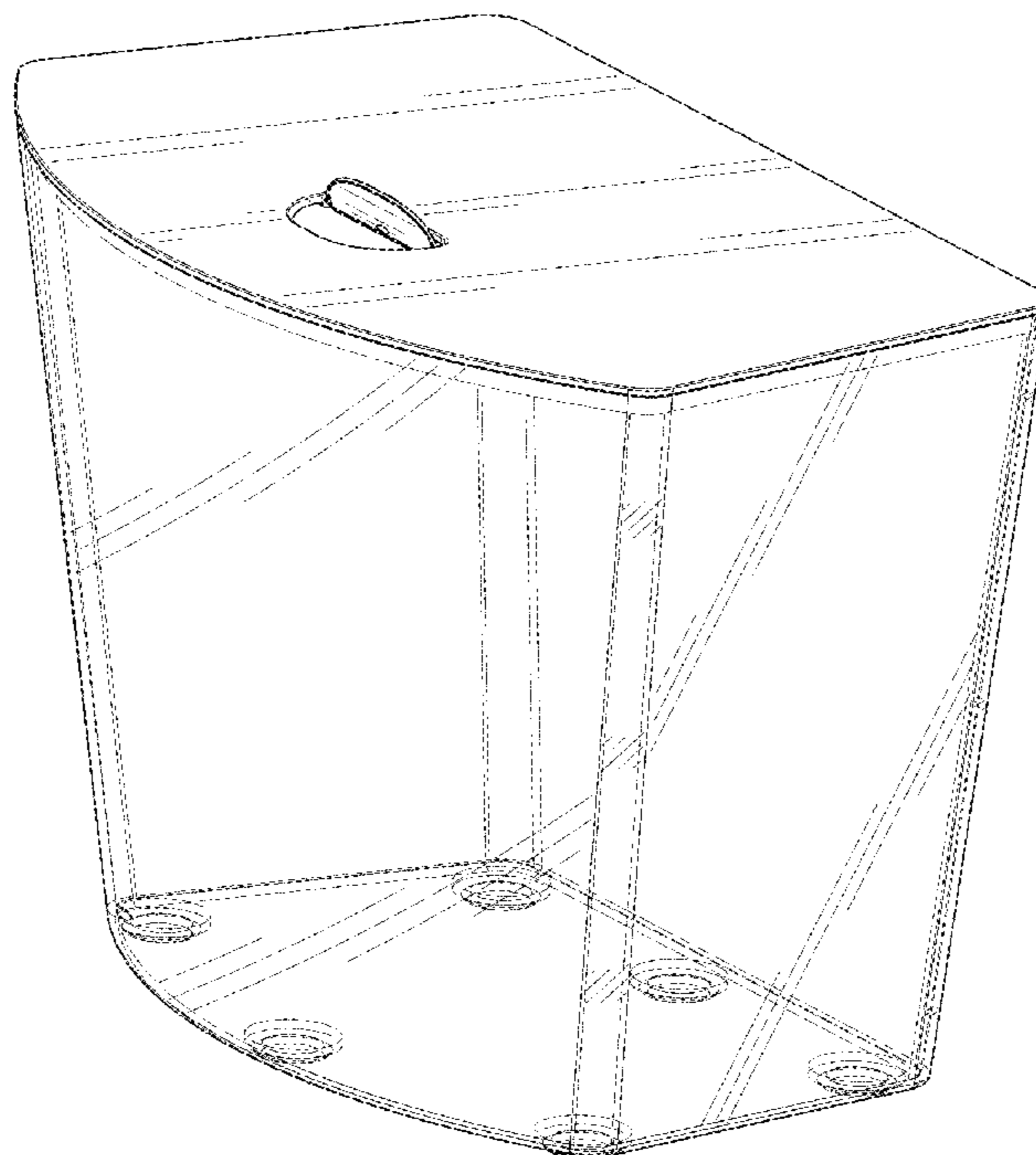
(57) **CLAIM**

The ornamental design for a fish tank, as shown and described.

**DESCRIPTION**

FIG. 1 is a top perspective view of the fish tank showing our new design;  
FIG. 2 is a front elevation view thereof;  
FIG. 3 is a rear elevation view thereof;  
FIG. 4 is a left-side elevation view thereof;  
FIG. 5 is a right-side elevation view thereof;  
FIG. 6 is a top plan view thereof;  
FIG. 7 is a bottom plan view thereof; and,  
FIG. 8 is a top perspective view of our new design showing the feeding door in an open position for the fish tank illustrated in FIG. 1.

**1 Claim, 7 Drawing Sheets**



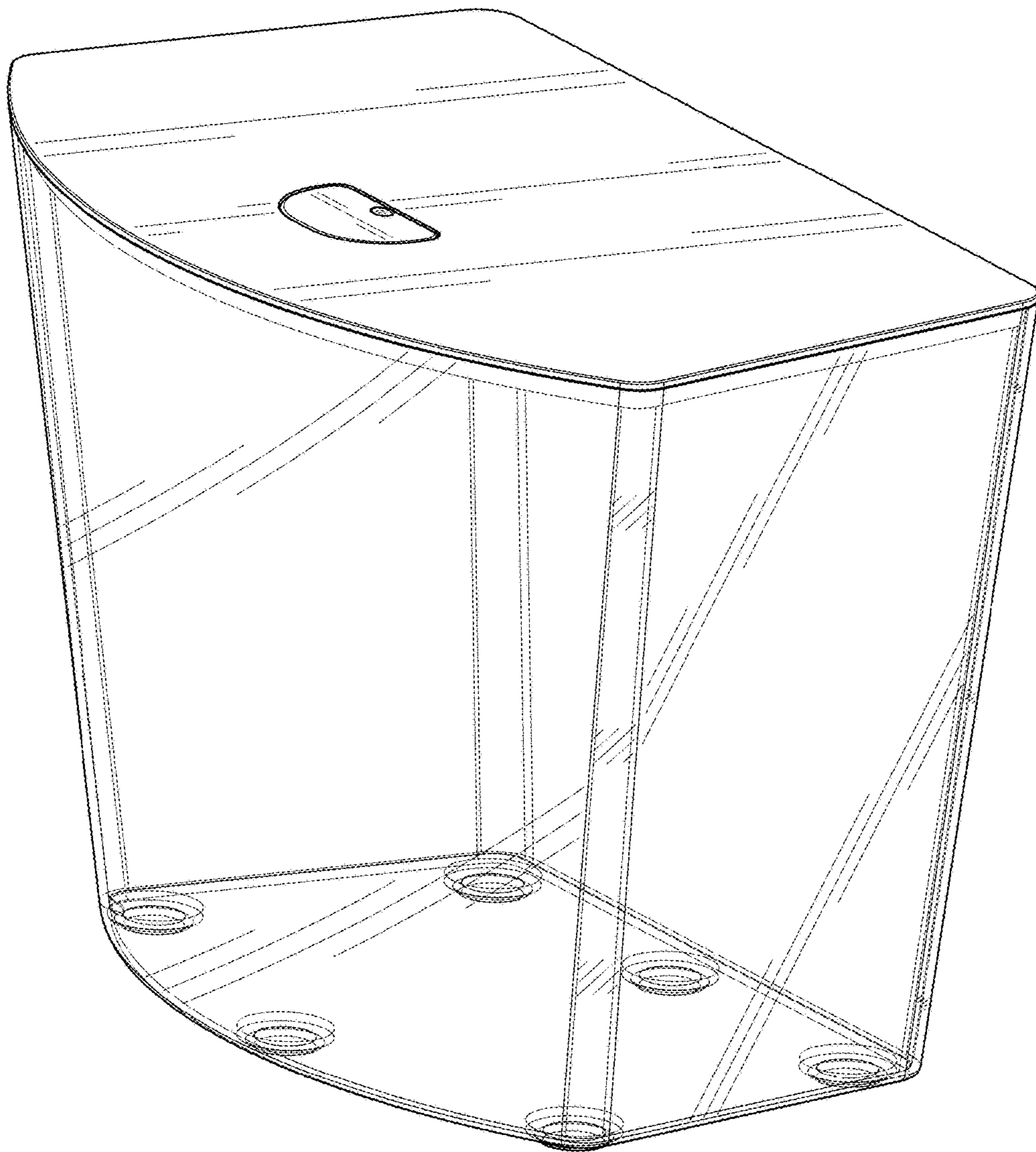


FIG. 1

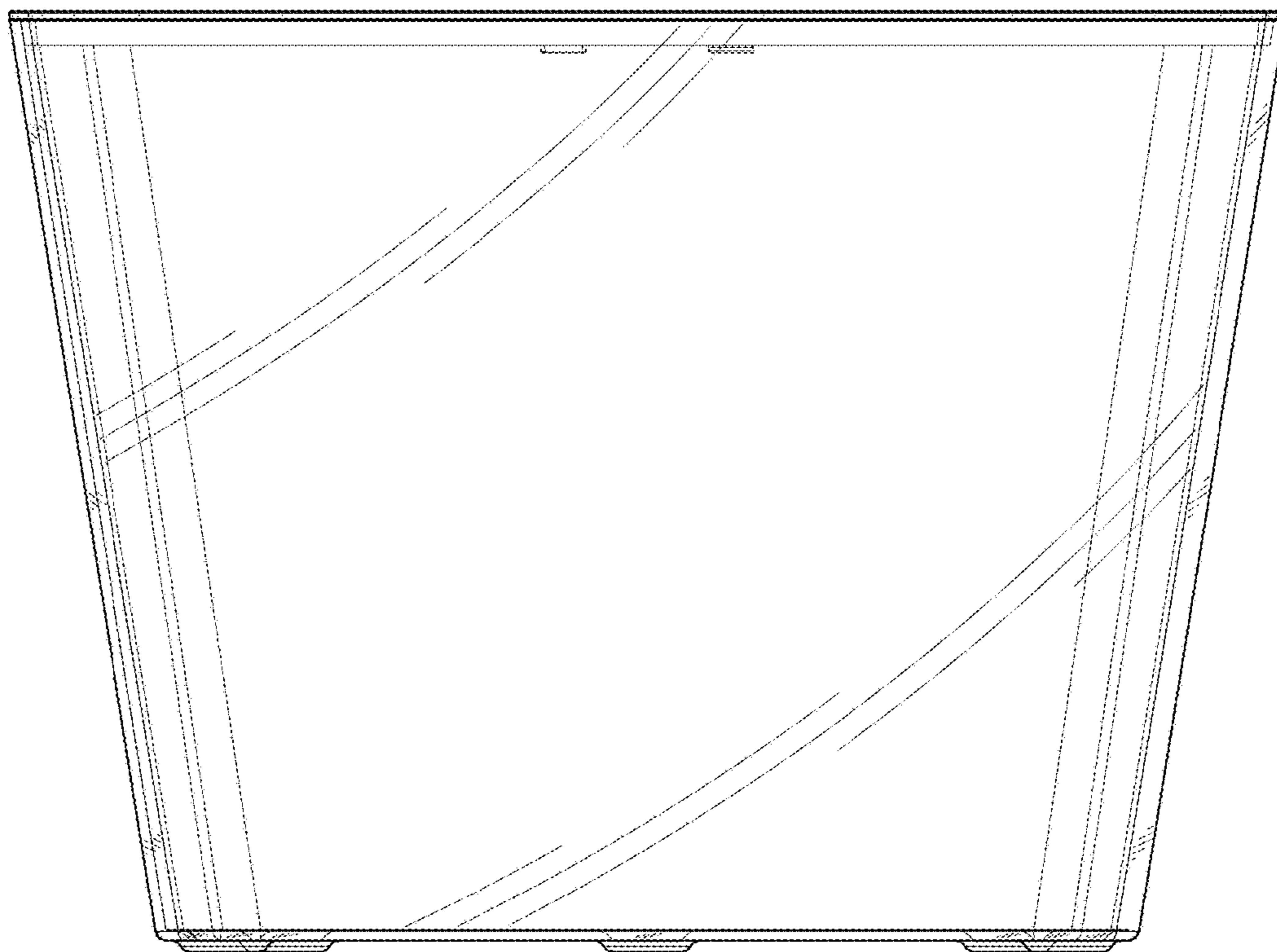


FIG. 2

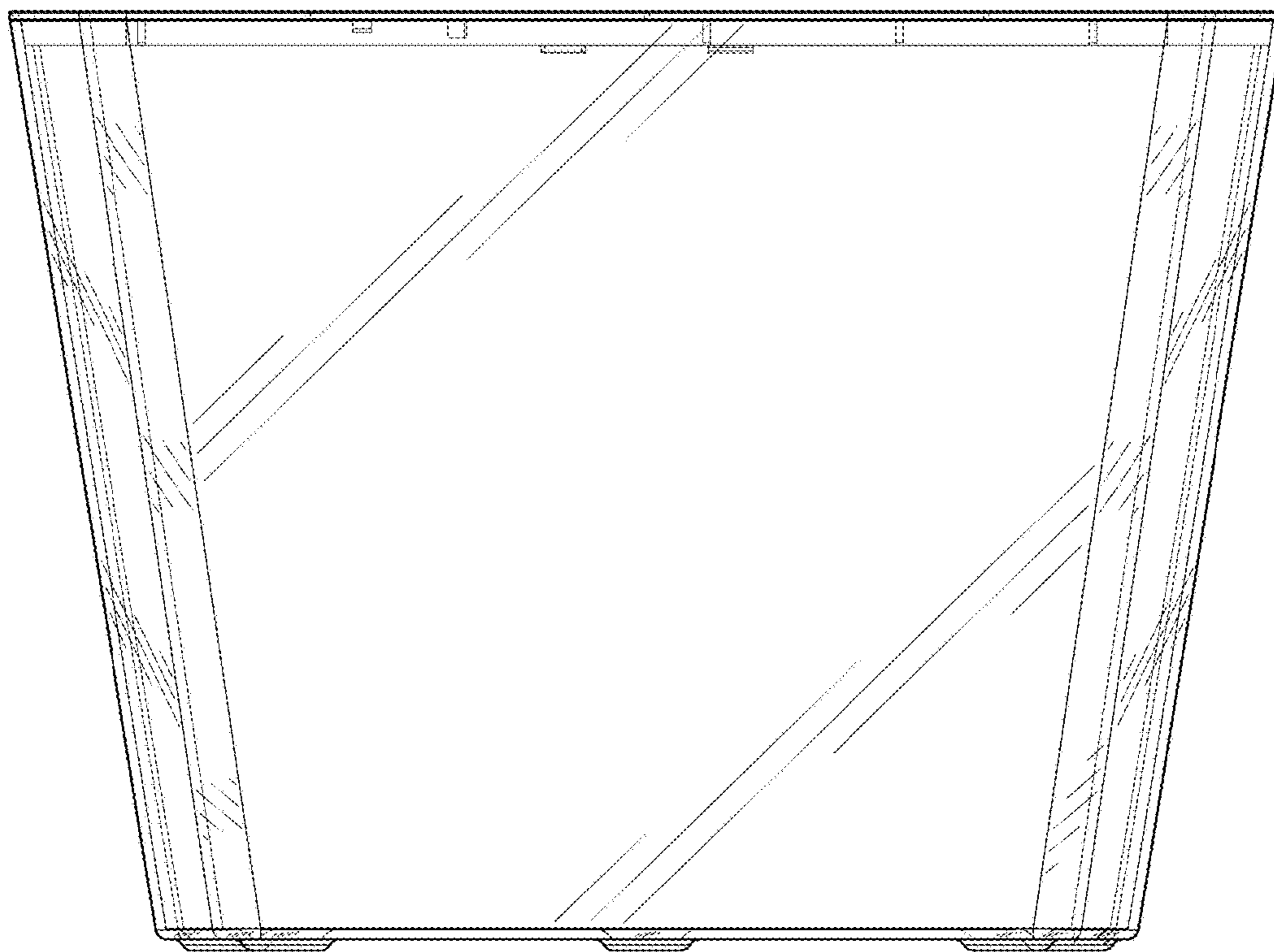


FIG. 3

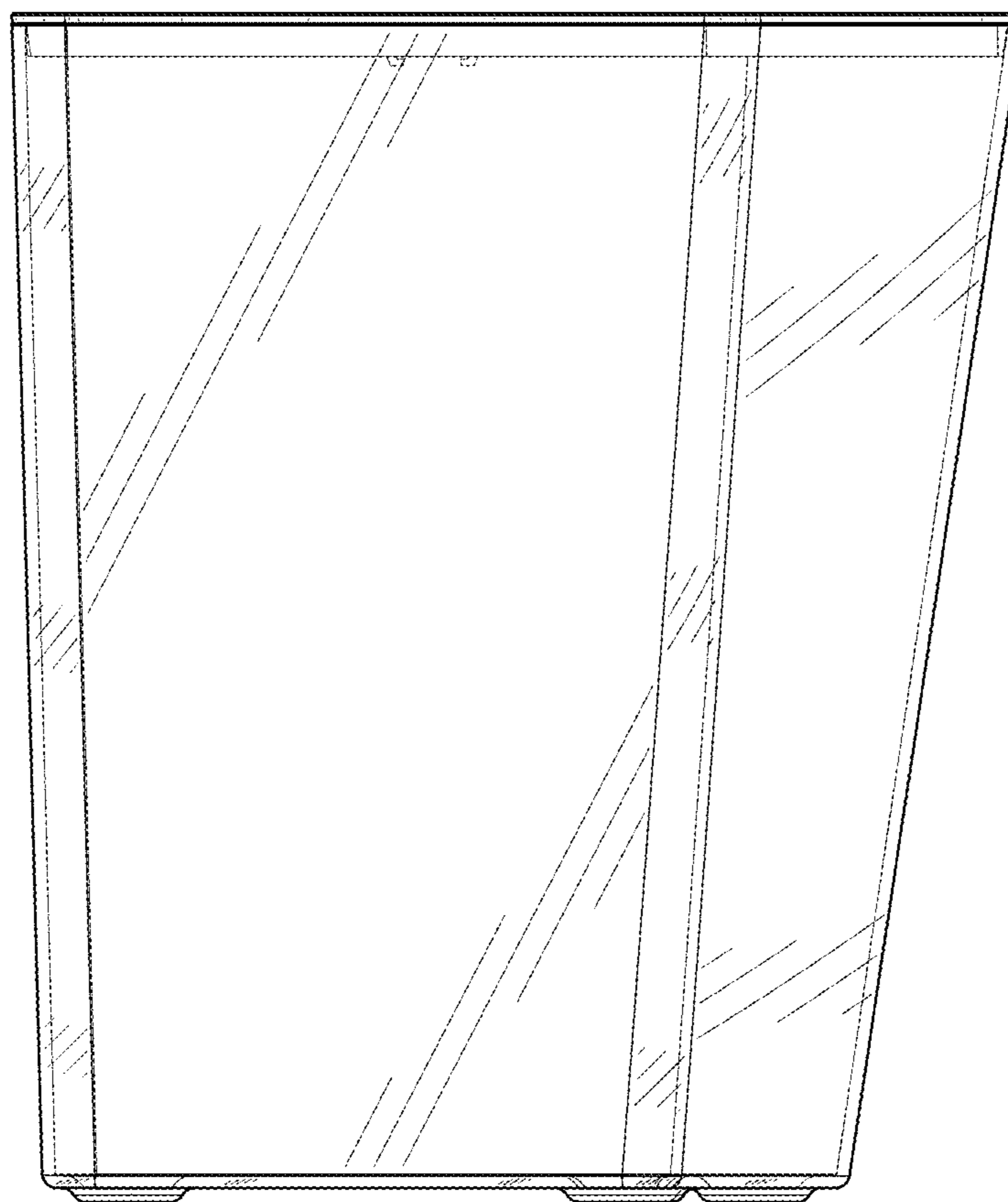


FIG. 4

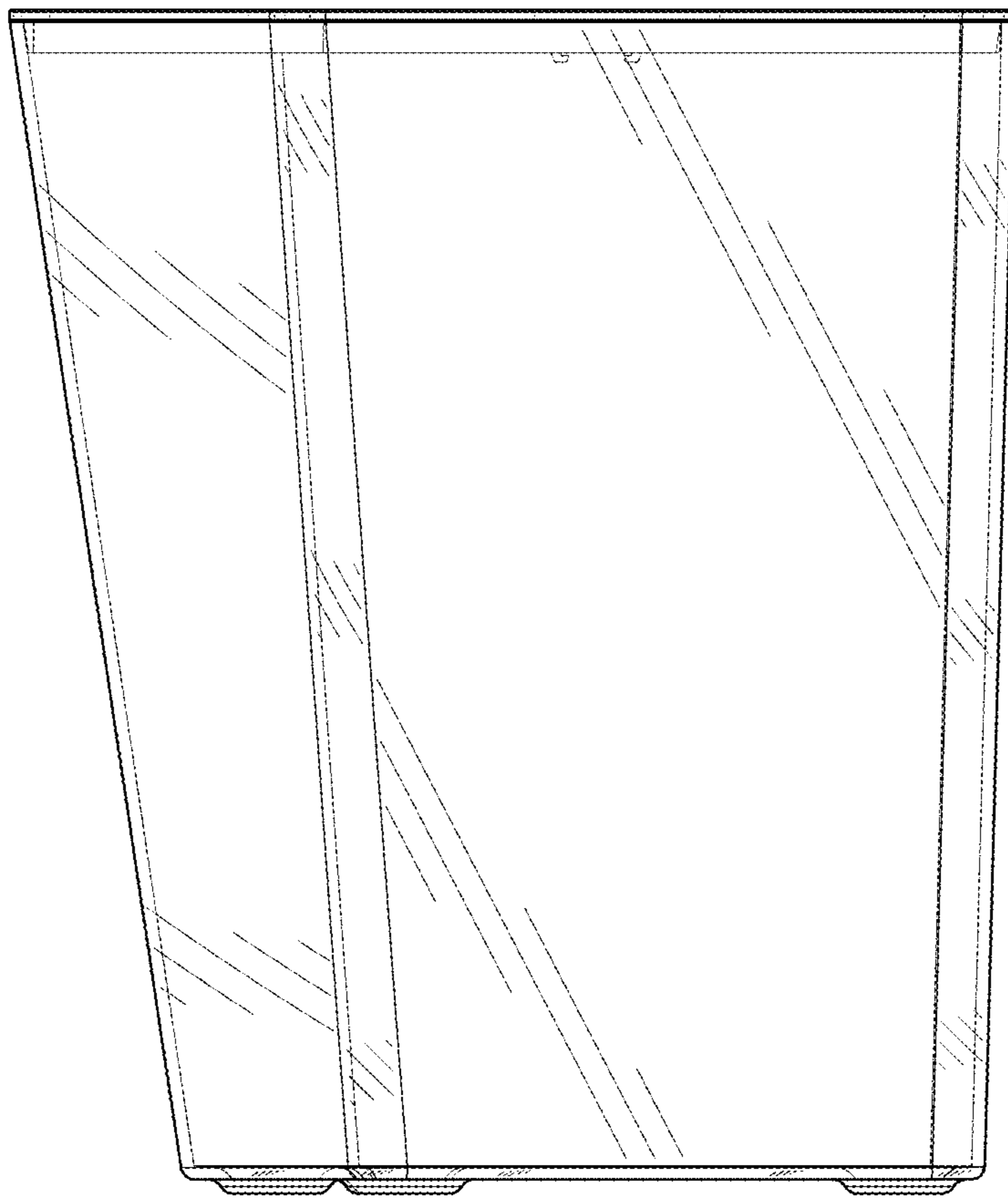


FIG. 5

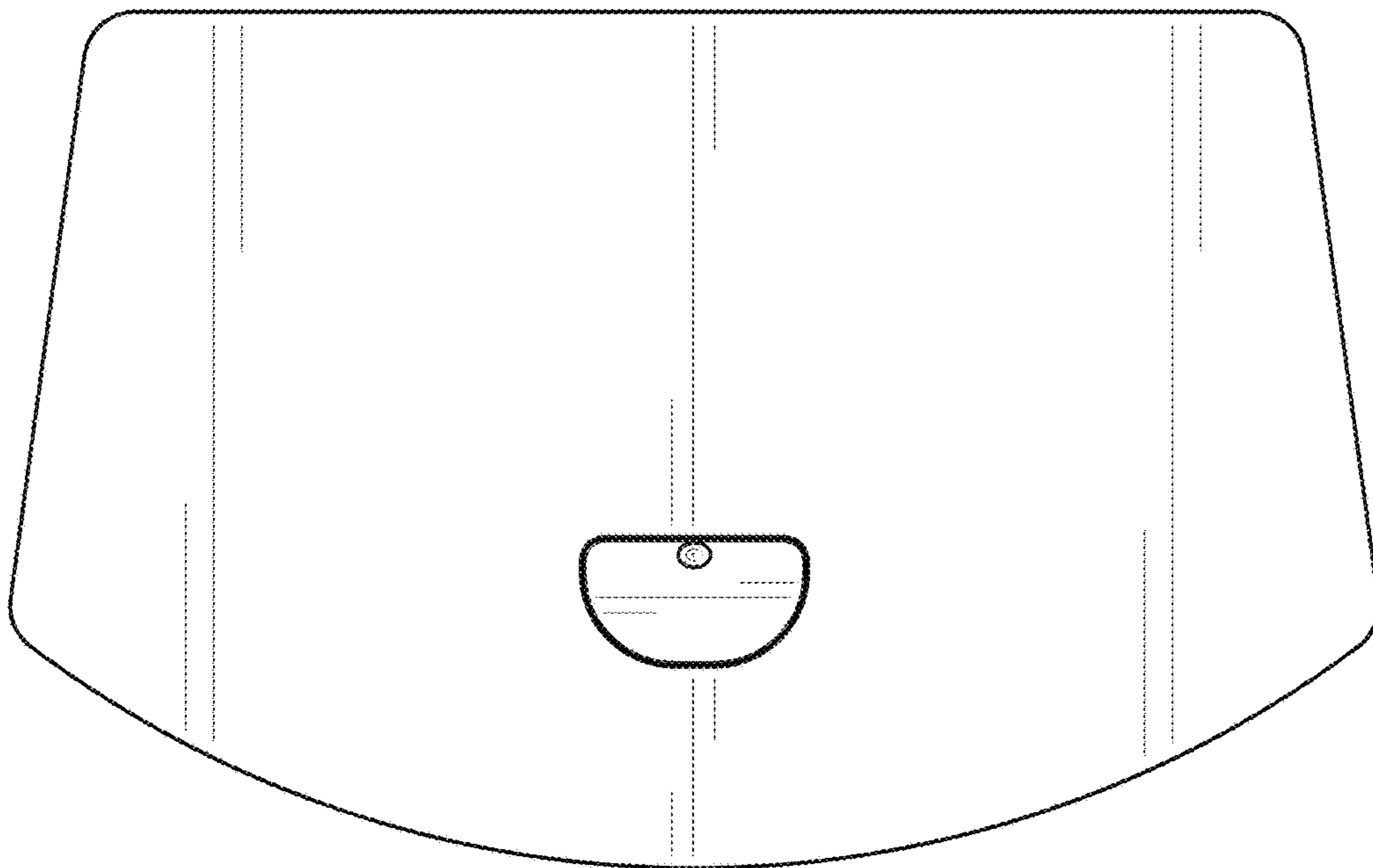


FIG. 6

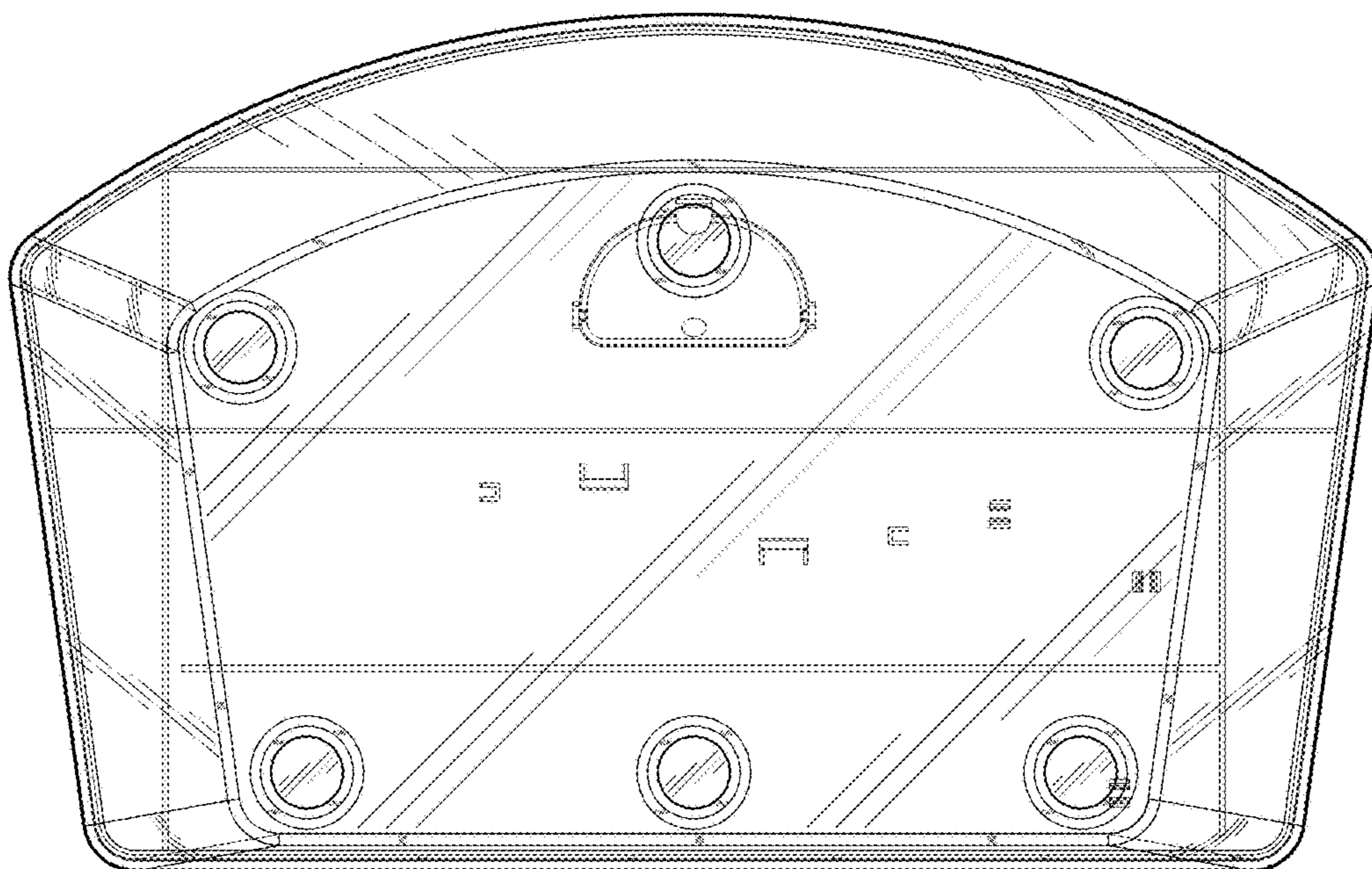


FIG. 7

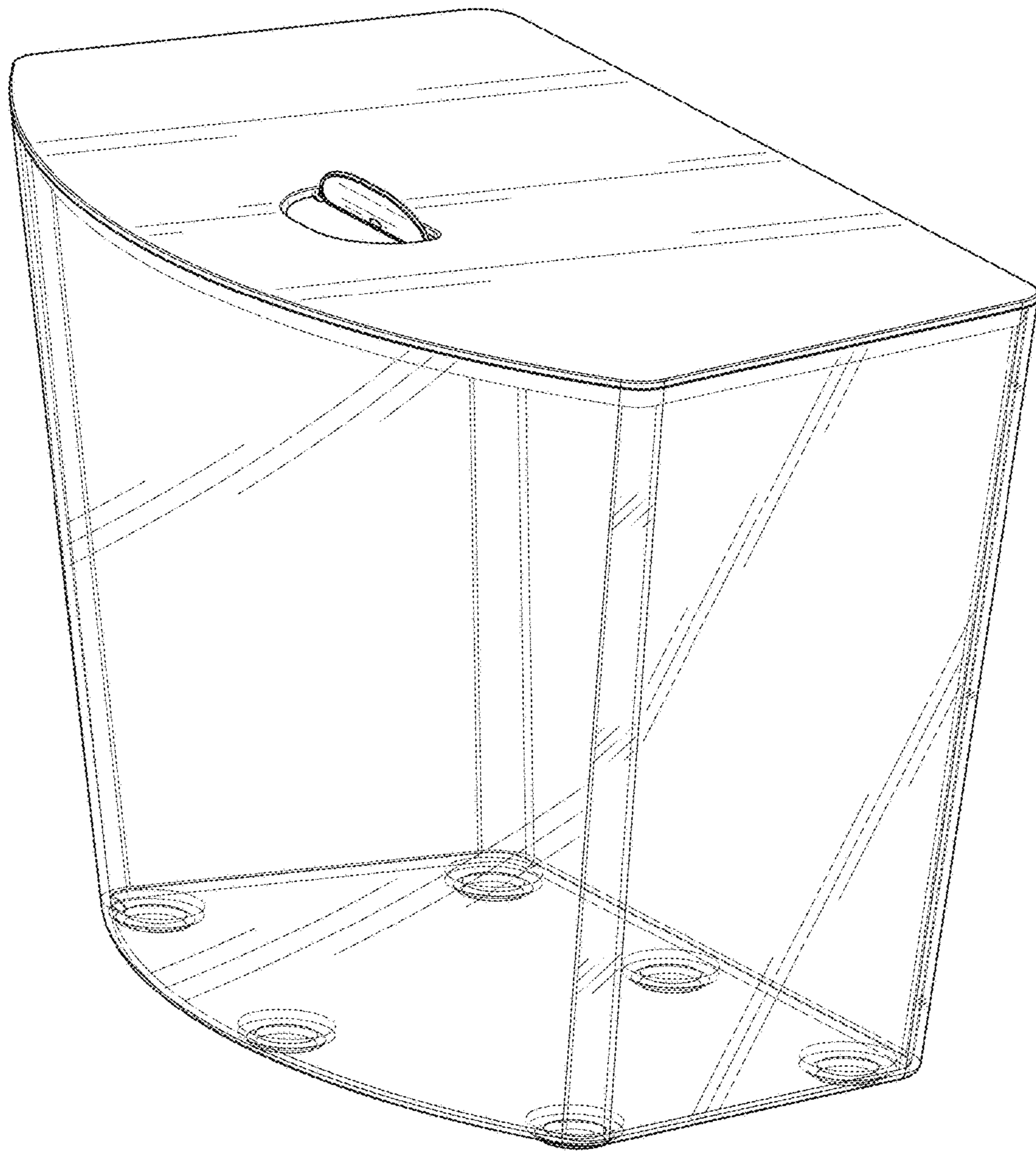


FIG. 8