



US00D833681S

(12) **United States Design Patent**
Tolentino et al.

(10) **Patent No.:** **US D833,681 S**

(45) **Date of Patent:** **** Nov. 13, 2018**

(54) **MOUTH GUARD**

(71) Applicants: **Elmer Tolentino**, Corona, CA (US);
Juan Vera, Corona, CA (US)

(72) Inventors: **Elmer Tolentino**, Corona, CA (US);
Juan Vera, Corona, CA (US)

(**) Term: **15 Years**

(21) Appl. No.: **29/578,229**

(22) Filed: **Sep. 20, 2016**

(51) **LOC (11) Cl.** **29-02**

(52) **U.S. Cl.**
USPC **D29/108**

(58) **Field of Classification Search**
USPC D29/100, 105, 106, 108, 122; D24/181,
D24/108-110.5, 156, 176; 128/861, 862,
128/859, 860, 857, 846, 848; 602/902;
433/6, 18, 24, 168.1; 2/9, 424, 425
CPC A61C 19/063; A61C 5/90; A61C 7/08;
A61C 7/10; A61C 13/08; A61C 13/081;
A61C 13/083; A61C 13/087; A61C
19/066; A61C 5/14; A61F 5/566; A61F
5/58; A63B 71/08; A63B 71/081; A63B
71/085; A63B 2071/088; A63B 2071/086;
A61B 13/00; A61B 1/24
See application file for complete search history.

(56) **References Cited**

U.S. PATENT DOCUMENTS

2,966,908	A *	1/1961	Cathcart	A63B 71/085	128/861
3,124,129	A	3/1964	Grossberg			
3,211,143	A *	10/1965	Grossberg	A63B 71/085	128/862
3,223,085	A *	12/1965	Gores	A63B 71/085	128/861
3,250,272	A *	5/1966	Greenberg	A63B 71/085	128/862

3,312,218	A *	4/1967	Jacobs	A63B 71/085	128/862
3,505,995	A *	4/1970	Greenberg	A63B 71/085	128/862
3,692,025	A *	9/1972	Greenberg	A63B 71/085	128/857
D434,501	S	11/2000	Redhage			
D452,011	S	12/2001	Redhage			

(Continued)

OTHER PUBLICATIONS

Are Your Childs Teeth Safe Python's New Custom-Fit Mouth Guards for Contact Sports, Jun. 20, 2012, [online], [site visited Apr. 13, 2018]. Retrieved from url:<http://www.prweb.com/releases/2012/6/prweb9594292.htm> (Year: 2012).*

(Continued)

Primary Examiner — Jeffrey D Asch
Assistant Examiner — Tracey J Bell
(74) *Attorney, Agent, or Firm* — Kirk A. Buhler; Buhler & Associates

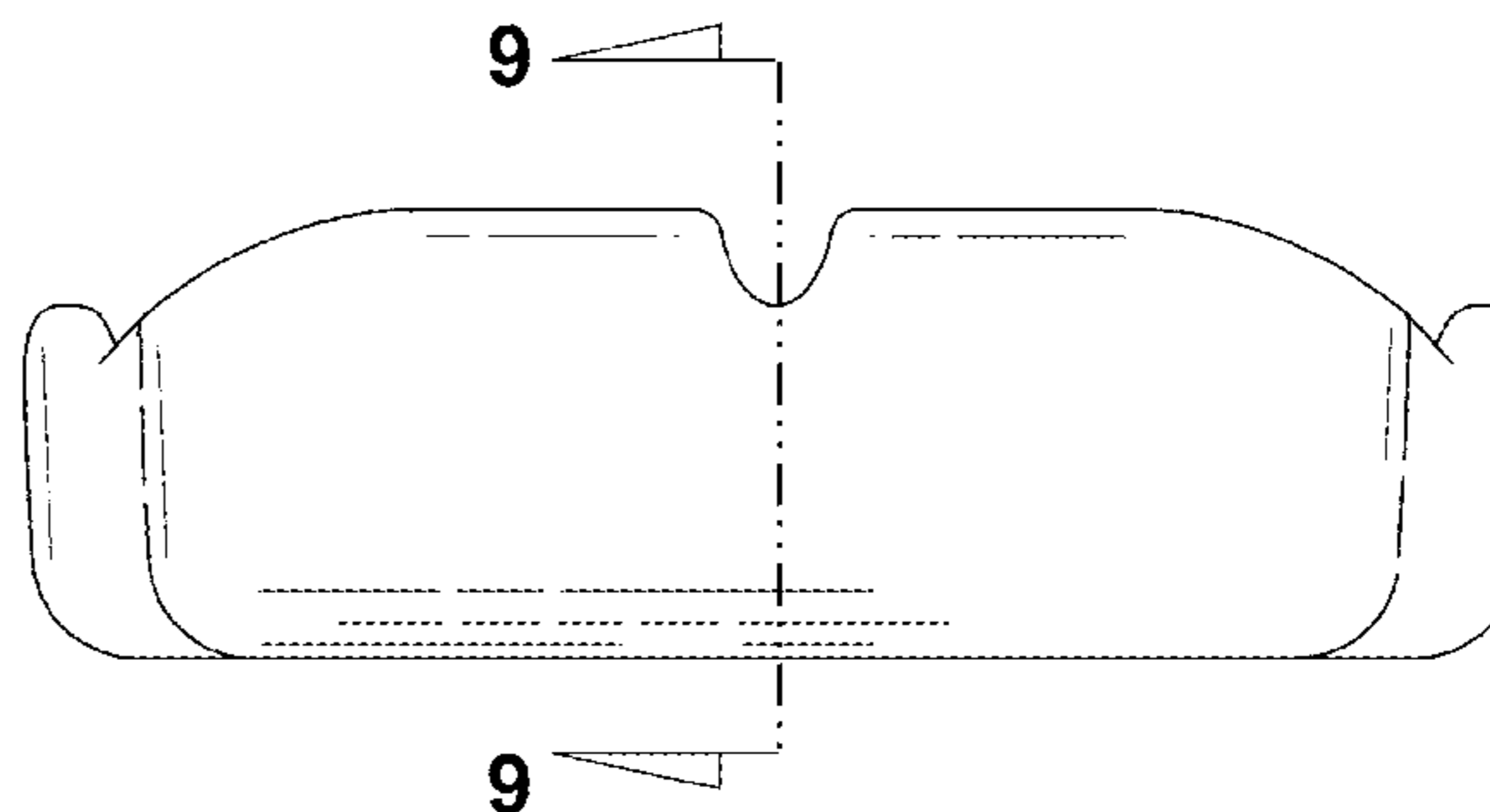
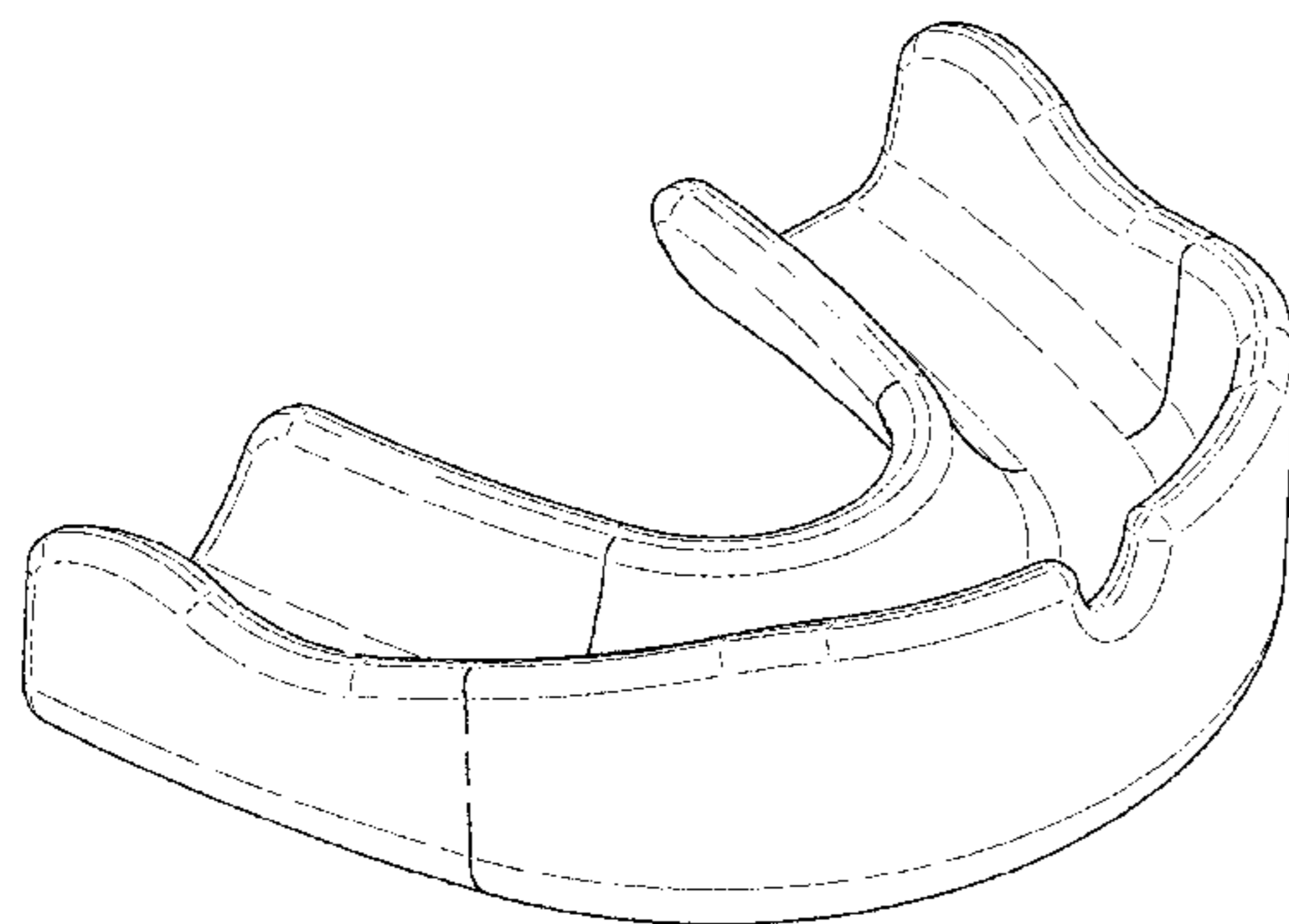
(57) **CLAIM**

The ornamental design for a mouth guard, as shown and described.

DESCRIPTION

FIG. 1 is a top left perspective view for a mouth guard showing my new design;
FIG. 2 is a bottom left perspective view thereof;
FIG. 3 is a front side view thereof;
FIG. 4 is a back side view thereof;
FIG. 5 is a top side view thereof;
FIG. 6 is a bottom side view thereof;
FIG. 7 is a left side view thereof;
FIG. 8 is a right side view thereof;
FIG. 9 is a sectional view taken along lines 9-9 from FIG. 3 thereof; and,
FIG. 10 is a back left perspective view.

1 Claim, 5 Drawing Sheets



(56)

References Cited

U.S. PATENT DOCUMENTS

6,494,210 B1 * 12/2002 Mams A63B 71/085
128/859

D473,976 S 4/2003 Wilkens

6,584,978 B1 7/2003 Brett

D492,785 S 7/2004 Garabito

D502,787 S 3/2005 Liu

6,886,567 B1 5/2005 Liu

6,986,354 B1 * 1/2006 Burns A63B 71/085
128/859

D523,994 S 6/2006 Manzo

D548,402 S 8/2007 Trodick

D570,549 S 6/2008 Essig

D584,002 S 12/2008 Essig

7,530,355 B2 5/2009 Berghash

D623,357 S 9/2010 Manzo

D625,470 S 10/2010 Willems

D627,107 S 11/2010 Manzo

D630,382 S 1/2011 Manzo

D634,480 S 3/2011 Manzo

D649,252 S 11/2011 Spainhower

D657,916 S 4/2012 Pelerin

D658,813 S 5/2012 Manzo

D675,323 S 1/2013 Spainhower

D675,324 S 1/2013 Spainhower

D695,855 S * 12/2013 Bernard D21/662

D710,506 S 8/2014 Tolentino

D727,571 S * 4/2015 Brett D29/108

D728,162 S * 4/2015 Gottsch D29/108

D792,028 S * 7/2017 Muenchinger D29/108

2004/0076219 A1 * 4/2004 Madison A63B 71/085
374/159

2011/0297165 A1 * 12/2011 Wang A61C 7/08
128/861

2012/0174932 A1 * 7/2012 Wilson A63B 71/085
128/861

2014/0238416 A1 * 8/2014 Lin A63B 71/085
128/861

2014/0345626 A1 * 11/2014 Brett A63B 71/085
128/861

2017/0312613 A1 * 11/2017 Wright A63B 71/085

OTHER PUBLICATIONS

Bulk Martial Arts Mouth Guard, Jul. 27, 2016, [online], [site visited Apr. 13, 2018]. Retrieved from url:https://www.amazon.com/dp/B01ITPRRP8/ref=sxbs_sxwds-stppvp_3?pf_rd_m=ATVPDKIKX0DER&pf_rd_p=3534659762&pd_rd_wg=zaCf5&pf_rd_r=PAJK6QE2E0KHEVZ0NKTN&pf_rd_s=desktop-sx-bottom-slot&pf_rd_t=301&pd_rd_i=B01 (Year: 2016).*

Elmer Tolentino on Instagram Next up, Jun. 29, 2014, [online], [site visited Apr. 13, 2018]. Retrieved from url:<https://www.instagram.com/p/p0j-lzkfDW/?taken-by=ectolentino> (Year: 2014).*

Oral Mart Charming Picasso Mouth Guard, earliest review Nov. 30, 2017, [online], [site visited Apr. 13, 2018]. Retrieved from url:<https://www.amazon.com/dp/B01NBNM5TF?th=1&psc=1> (Year: 2017).*

Python MouthGuards Facebook Photo Album 788 New Photos, Sep. 7, 2013, [online], [site visited Apr. 13, 2018]. Retrieved from url: <https://www.facebook.com/pythonmouthguards/photos/a.712335502129065.1073741827.115852428444045/773201206042494/?type=3&size=960%2C960&fbid=773201206042494> (Year: 2013).*

Shurfit Mouthguards on Amazon, earliest review posted Jan. 31, 2017, [online], [site visited Apr. 13, 2018]. Retrieved from url:<https://www.amazon.com/SHURFIT-MOUTHGUARDS-Mouthguard-detecting-dehydration/dp/B076T5FPFJ> (Year: 2017).*

Juan Vera Twitter Post Horse Rider Candyman, Oct. 7, 2013, [online], [site visited Apr. 13, 2018]. Retrieved from url:<https://twitter.com/shurfitjr> (Year: 2013).*

Juan Vera Twitter Post USA Mouthguard Made to Honor @Sugar-rayleonard, Oct. 29, 2013, [online], [site visited Apr. 13, 2018]. Retrieved from url:<https://twitter.com/shurfitjr> (Year: 2013).*

Shurfit Mouthguards on Clint LaRose Youtube Channel, Mar. 1, 2013, [online], [site visited Apr. 13, 2018]. Retrieved from url:<https://www.youtube.com/watch?v=e5xadX50cmA> (Year: 2013).*

* cited by examiner

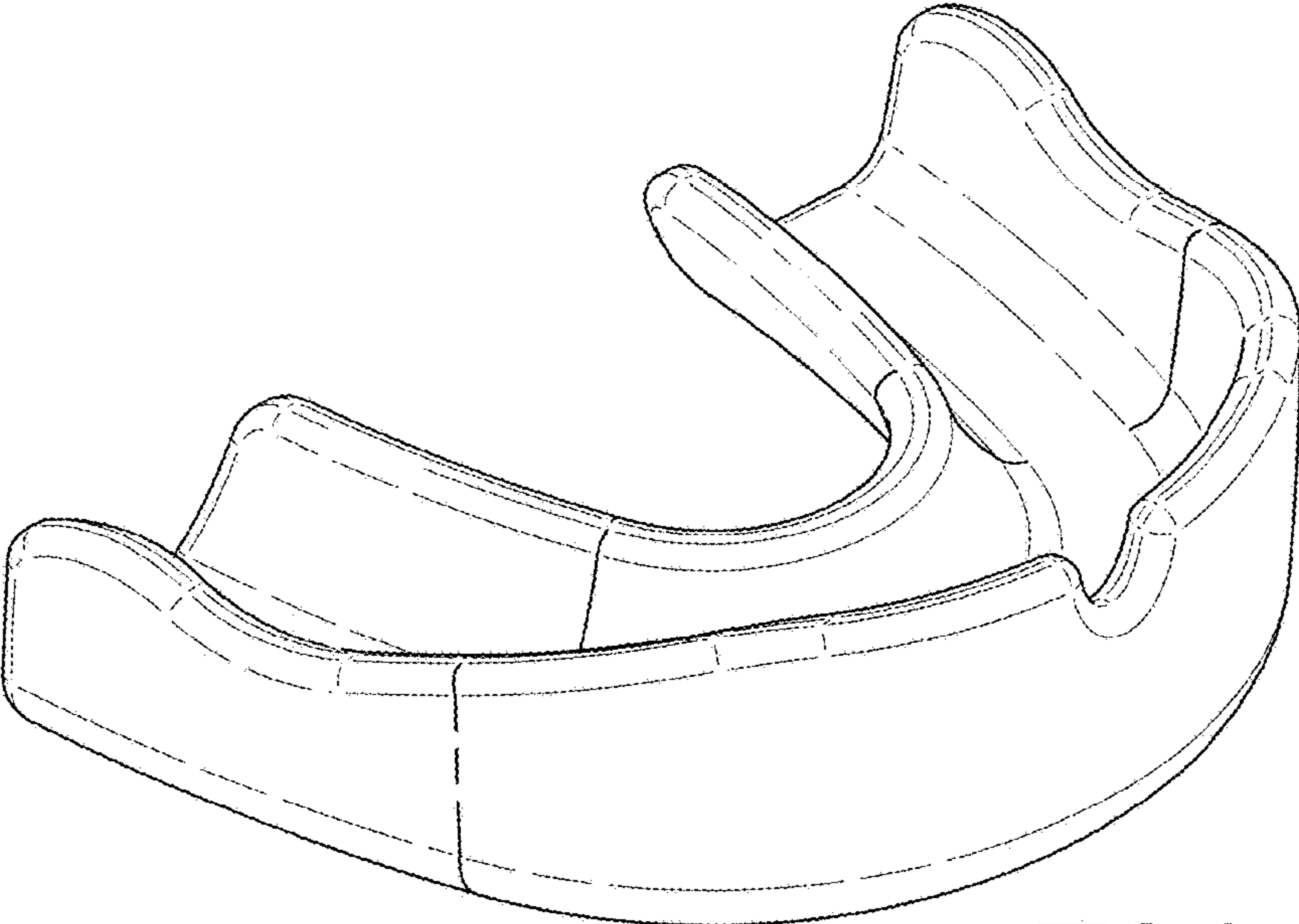


FIG. 1

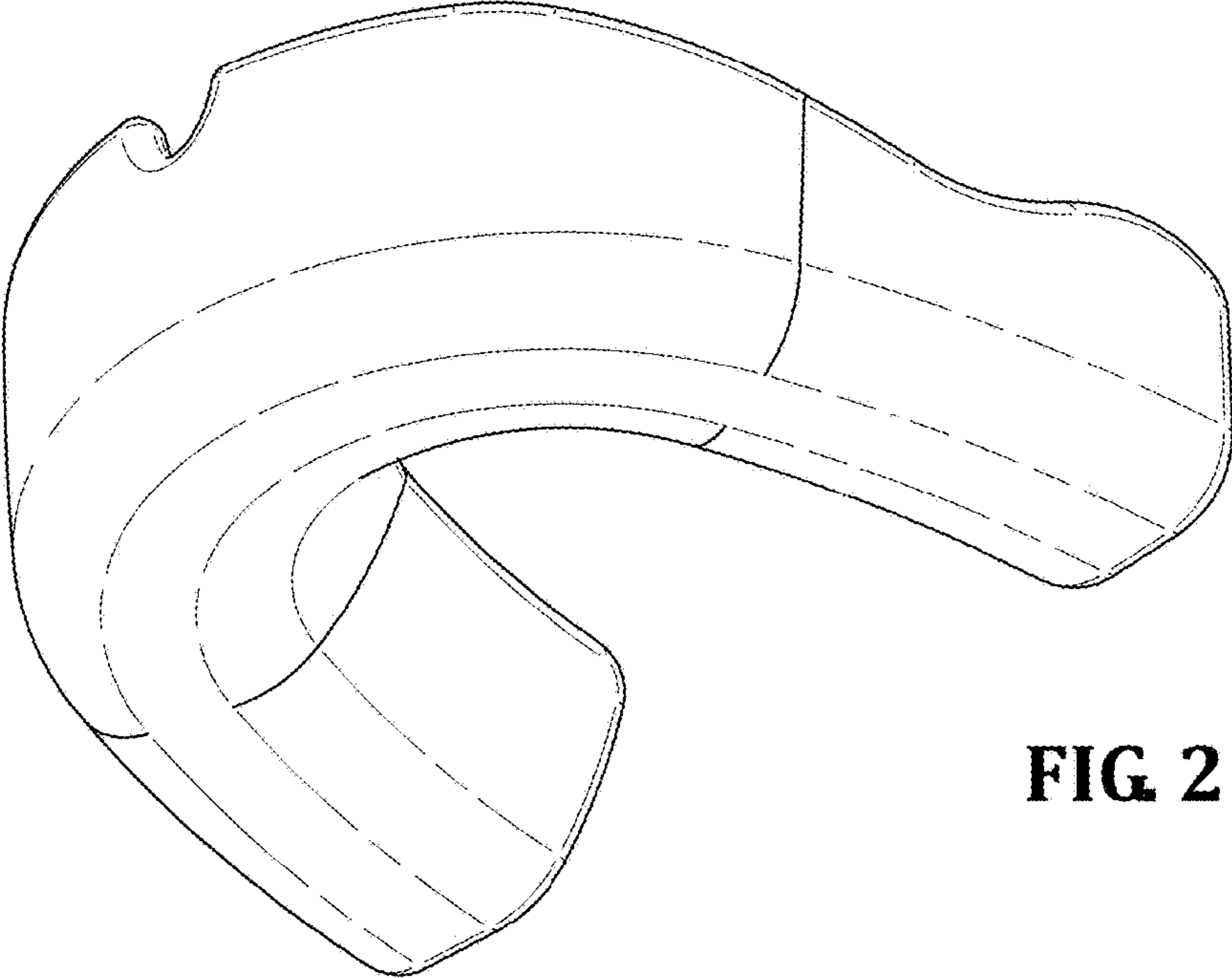


FIG. 2

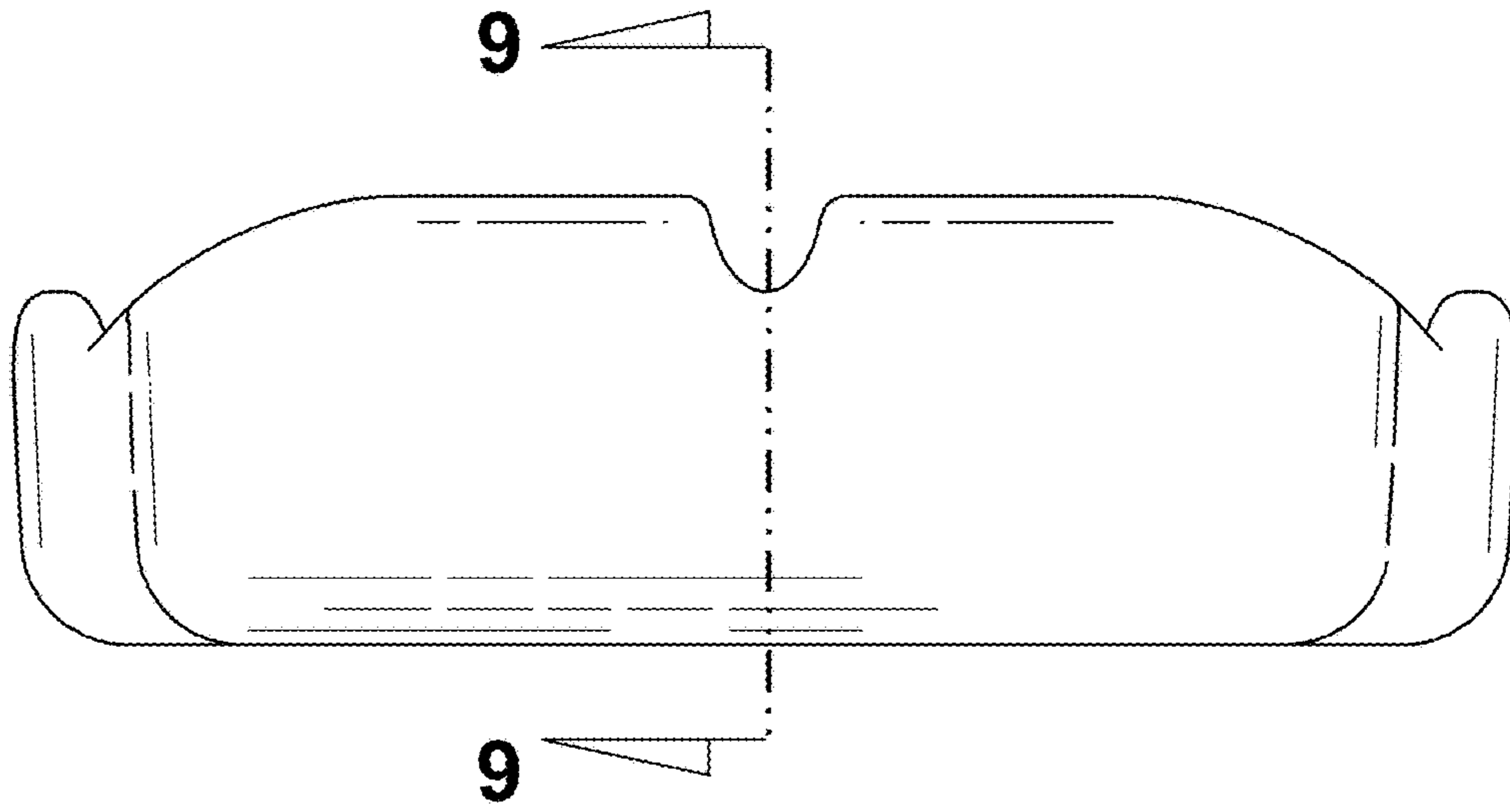


FIG. 3

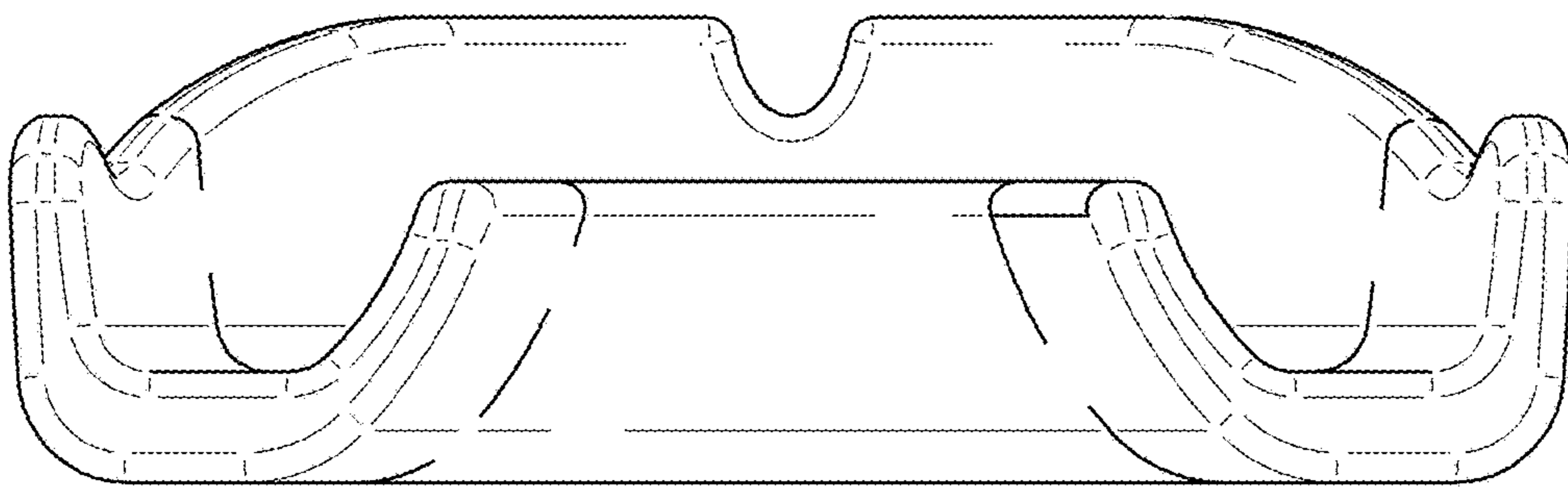


FIG. 4

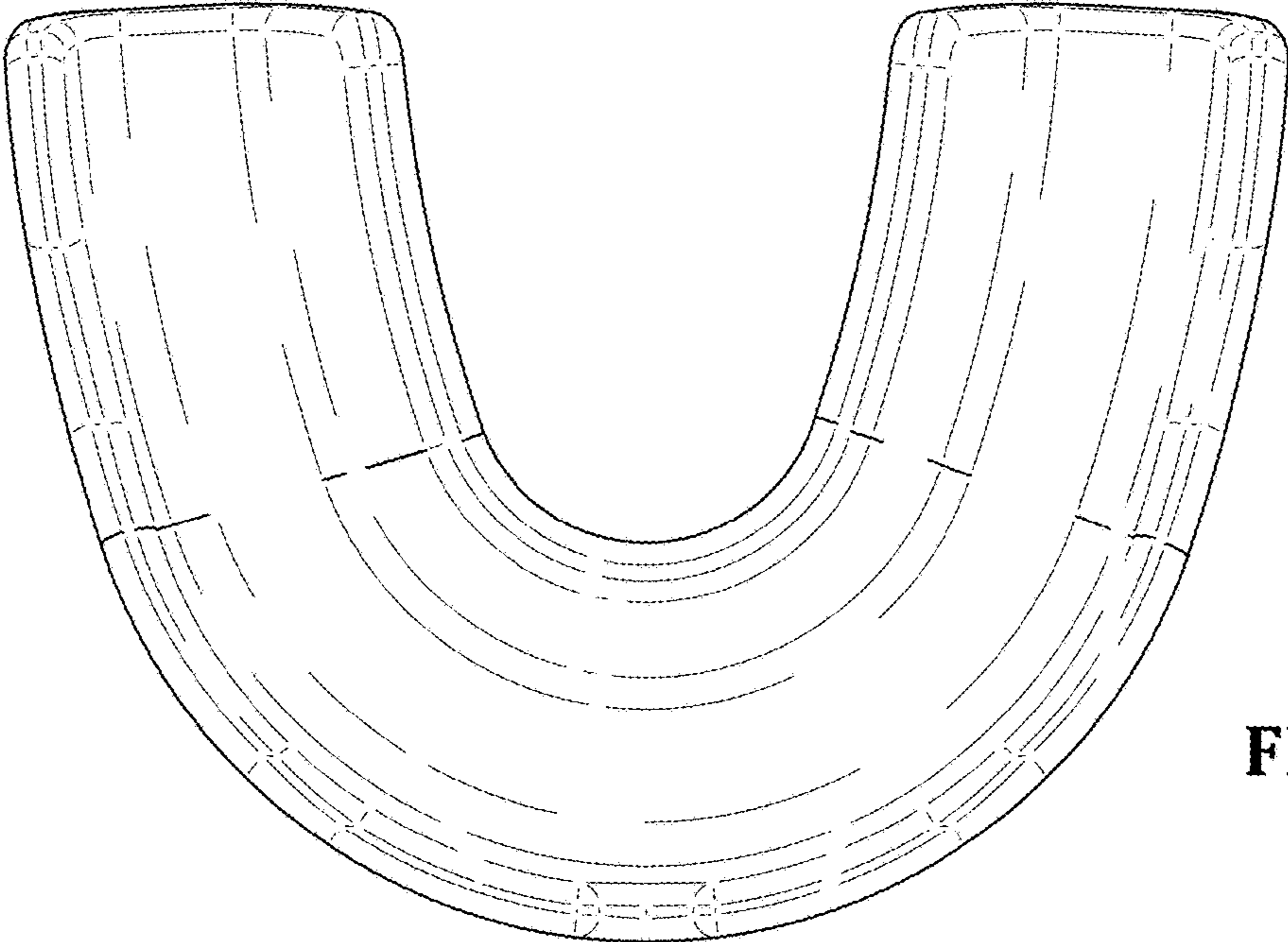


FIG. 5

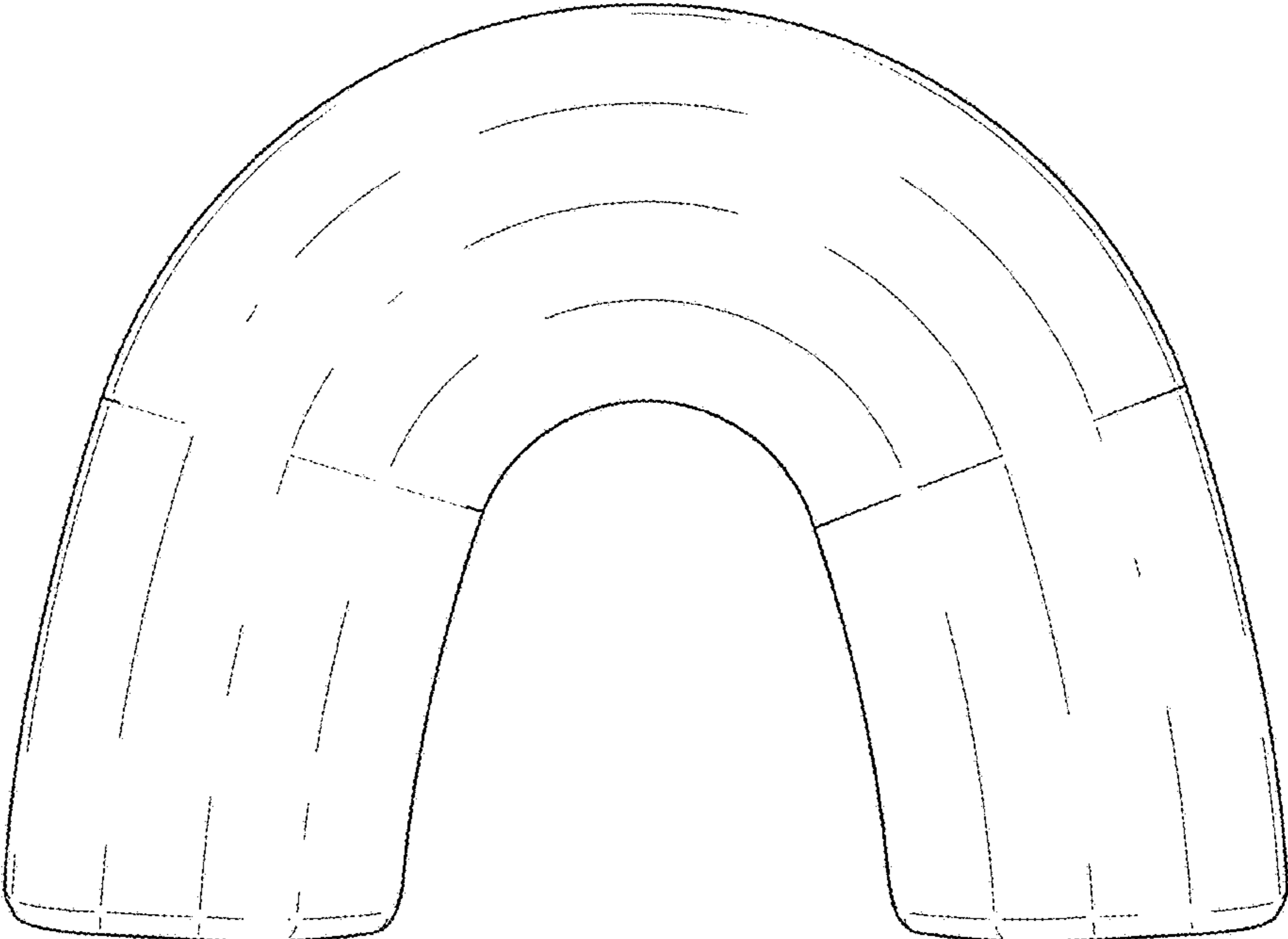


FIG. 6

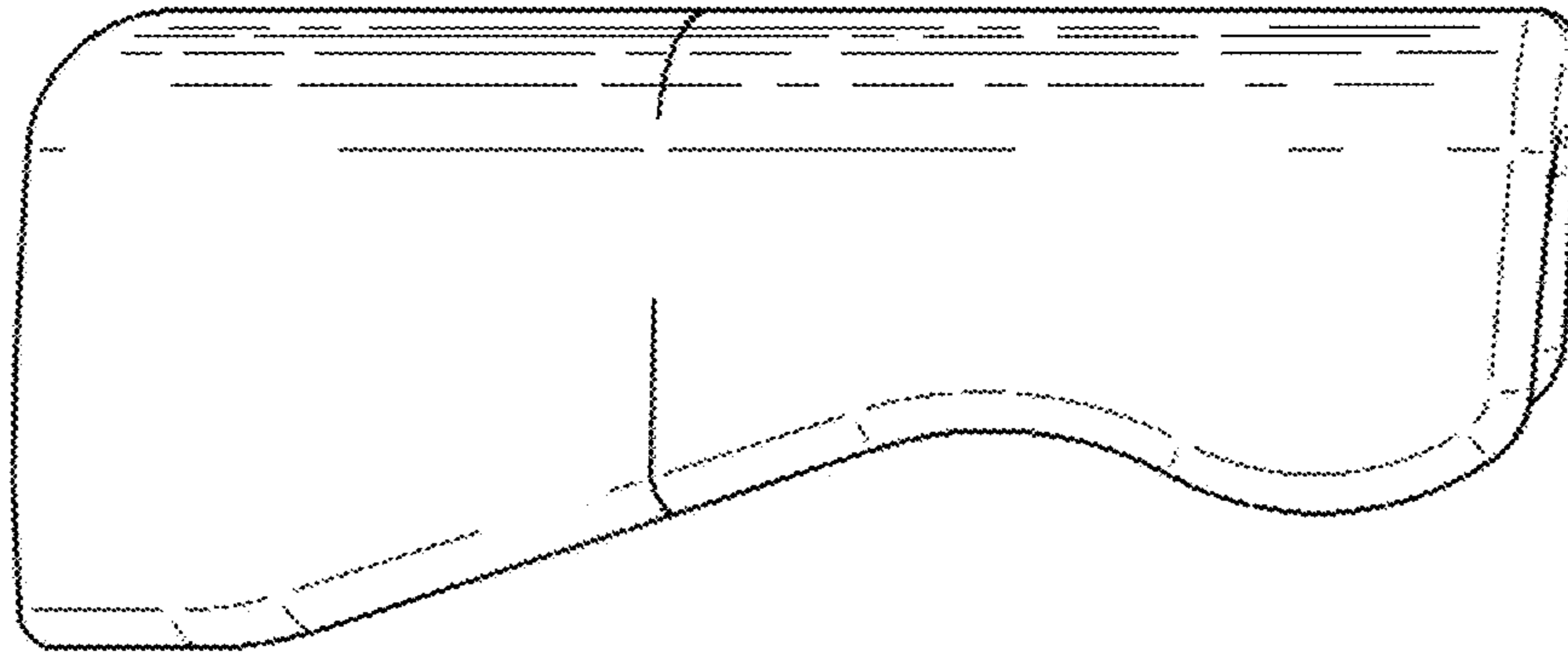


FIG. 7

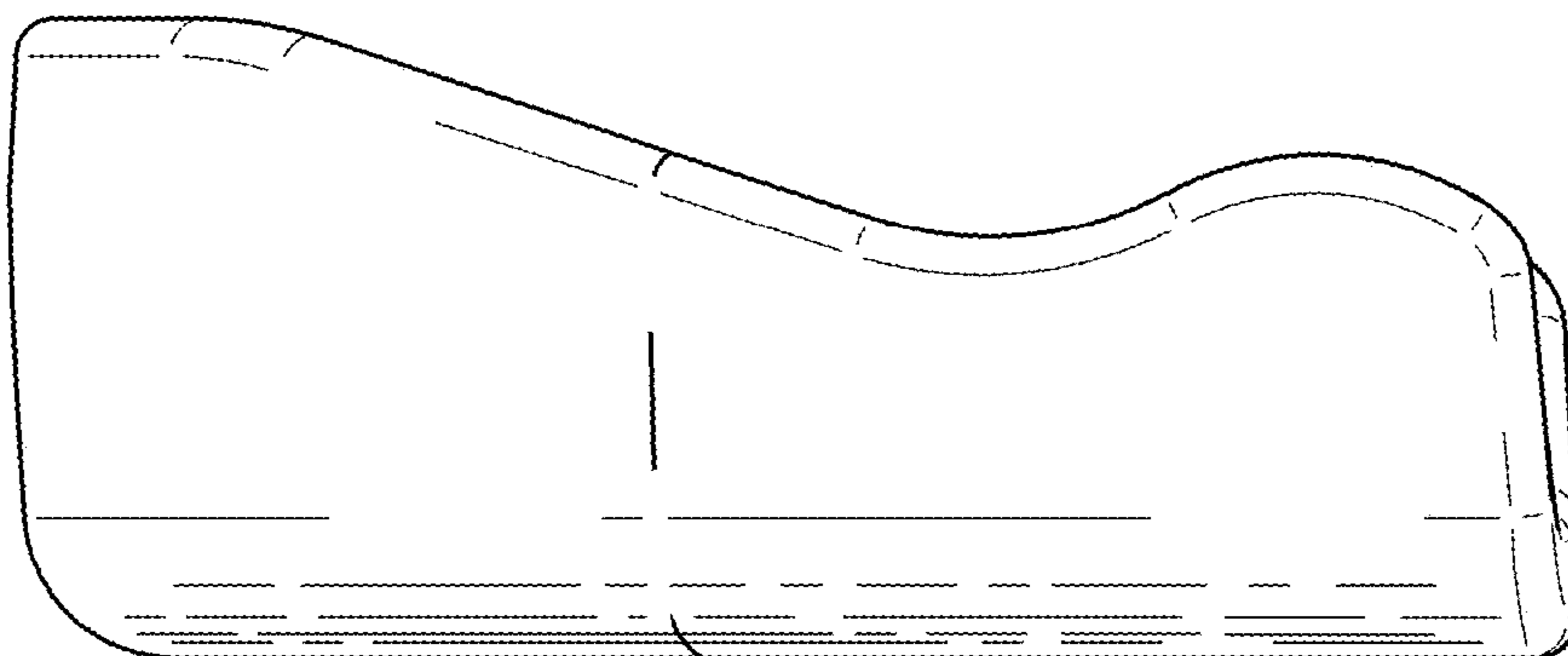


FIG. 8

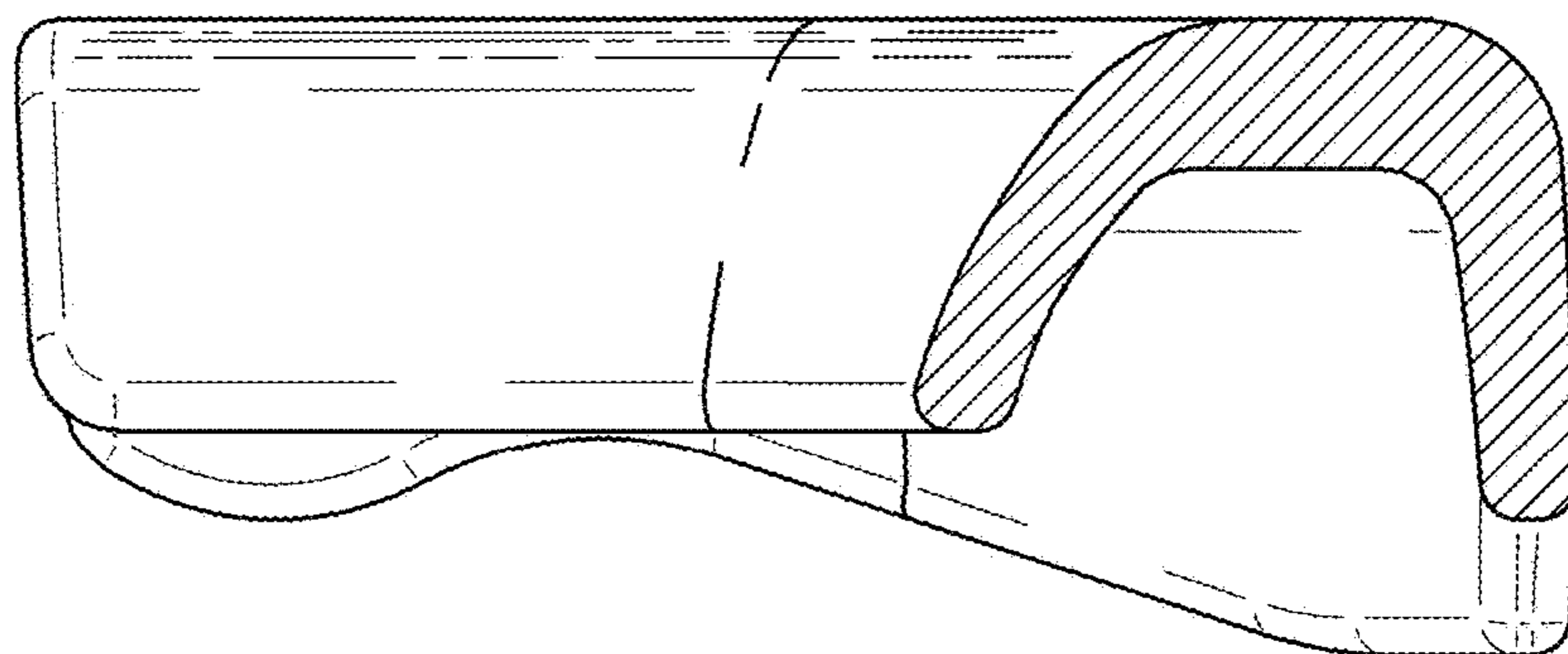


FIG 9

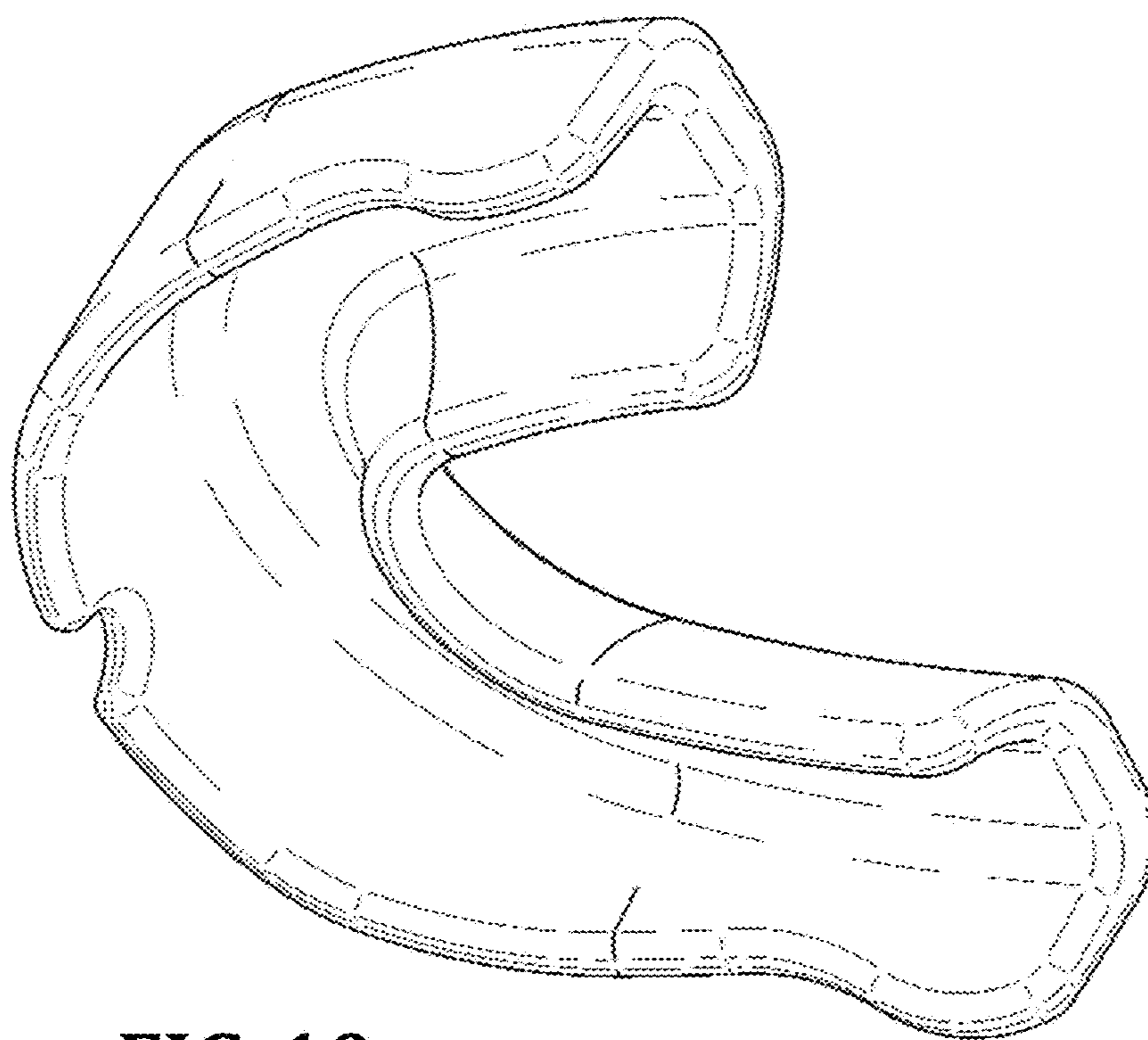


FIG 10