



US00D833678S

(12) **United States Design Patent** (10) **Patent No.:** **US D833,678 S**
Ratzlaff (45) **Date of Patent:** **** Nov. 13, 2018**

- (54) **HAIR CLIPPER**
- (71) Applicant: **EXONDA SALON TOOLS GMBH**,
Eiterfeld (DE)
- (72) Inventor: **Joerg Ratzlaff**, Hamburg (DE)
- (**) Term: **15 Years**
- (21) Appl. No.: **35/503,695**
- (22) Filed: **Mar. 22, 2017**
- (80) **Hague Agreement Data**
Int. Filing Date: **Mar. 22, 2017**
Int. Reg. No.: **DM/096950**
Int. Reg. Date: **Mar. 22, 2017**
Int. Reg. Pub. Date: **Sep. 22, 2017**
- (51) **LOC (11) Cl.** **28-03**
- (52) **U.S. Cl.**
USPC **D28/52**
CPC **B26B 19/00** (2013.01)
- (58) **Field of Classification Search**
USPC D28/44.1, 49-54
CPC B26B 19/00; B26B 19/02-19/107
See application file for complete search history.
- (56) **References Cited**
U.S. PATENT DOCUMENTS
3,648,370 A * 3/1972 Cercone B26B 19/20
30/201
D364,483 S * 11/1995 Elston D28/53
D405,924 S * 2/1999 Leberherz D28/53
D435,694 S * 12/2000 Leberherz D28/53
D435,936 S * 1/2001 Long D28/54
D497,452 S * 10/2004 Nielsen D28/53
D500,392 S * 12/2004 Buck, Jr. D28/54
D521,684 S * 5/2006 Izumi D28/53
D522,693 S * 6/2006 Rizzuto, Jr. D28/53
D534,689 S * 1/2007 Gross D28/53
D568,542 S * 5/2008 Long D28/54

- D571,504 S * 6/2008 Long D28/54
- D577,865 S * 9/2008 Long D28/54
- D597,253 S * 7/2009 Eddinger D28/54
- D597,254 S * 7/2009 Eddinger D28/54
- D622,907 S * 8/2010 Schwer D28/53
- D673,731 S * 1/2013 Skuhra D28/53
- D675,781 S * 2/2013 Whittaker D28/53
- D675,782 S * 2/2013 Buck, Jr. D28/54
- D683,901 S * 6/2013 Skuhra D28/54
- D696,459 S * 12/2013 Chan D28/53
- D700,998 S * 3/2014 Aulwes D28/54
- D715,489 S * 10/2014 Aulwes D28/54
- D715,490 S * 10/2014 Aulwes D28/54
- D715,491 S * 10/2014 Phillips D28/54
- D721,205 S * 1/2015 Colle D28/53
- D758,665 S * 6/2016 Skuhra D28/54
- D777,980 S * 1/2017 Moeller D28/54
- D787,746 S * 5/2017 Werner D28/53
- D790,132 S * 6/2017 Aulwes D28/54
- D790,133 S * 6/2017 Aulwes D28/54

(Continued)

Primary Examiner — Richard E Chilcot

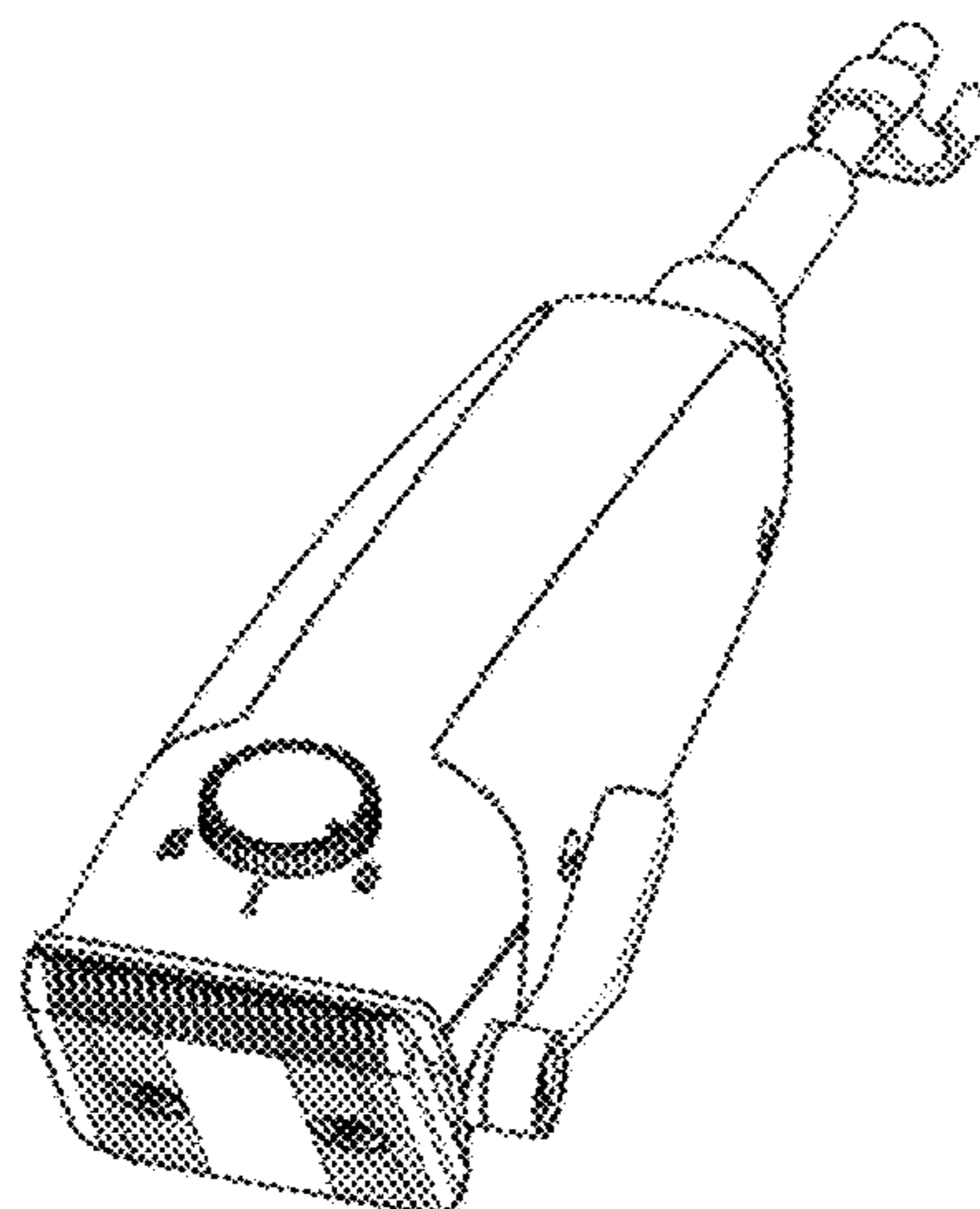
(57) **CLAIM**

The ornamental design for a hair clipper, as shown and described.

DESCRIPTION

1. Hair clipper
 FIG. 1.1 is a perspective view of a hair clipper according to an embodiment showing the new design;
 FIG. 1.2 is a top view of the embodiment shown in FIG. 1.1;
 FIG. 1.3 is an elevation view of a first end of the embodiment shown in FIG. 1.1;
 FIG. 1.4 is an elevation view of a first side of the embodiment shown in FIG. 1.1;
 FIG. 1.5 is a an elevation view of a second side of the embodiment shown in FIG. 1.1;
 FIG. 1.6 is a bottom view of the embodiment shown in FIG. 1.1 and,
 FIG. 1.7 is an elevation view of a second end of the embodiment shown in FIG. 1.1.

1 Claim, 7 Drawing Sheets



(56)

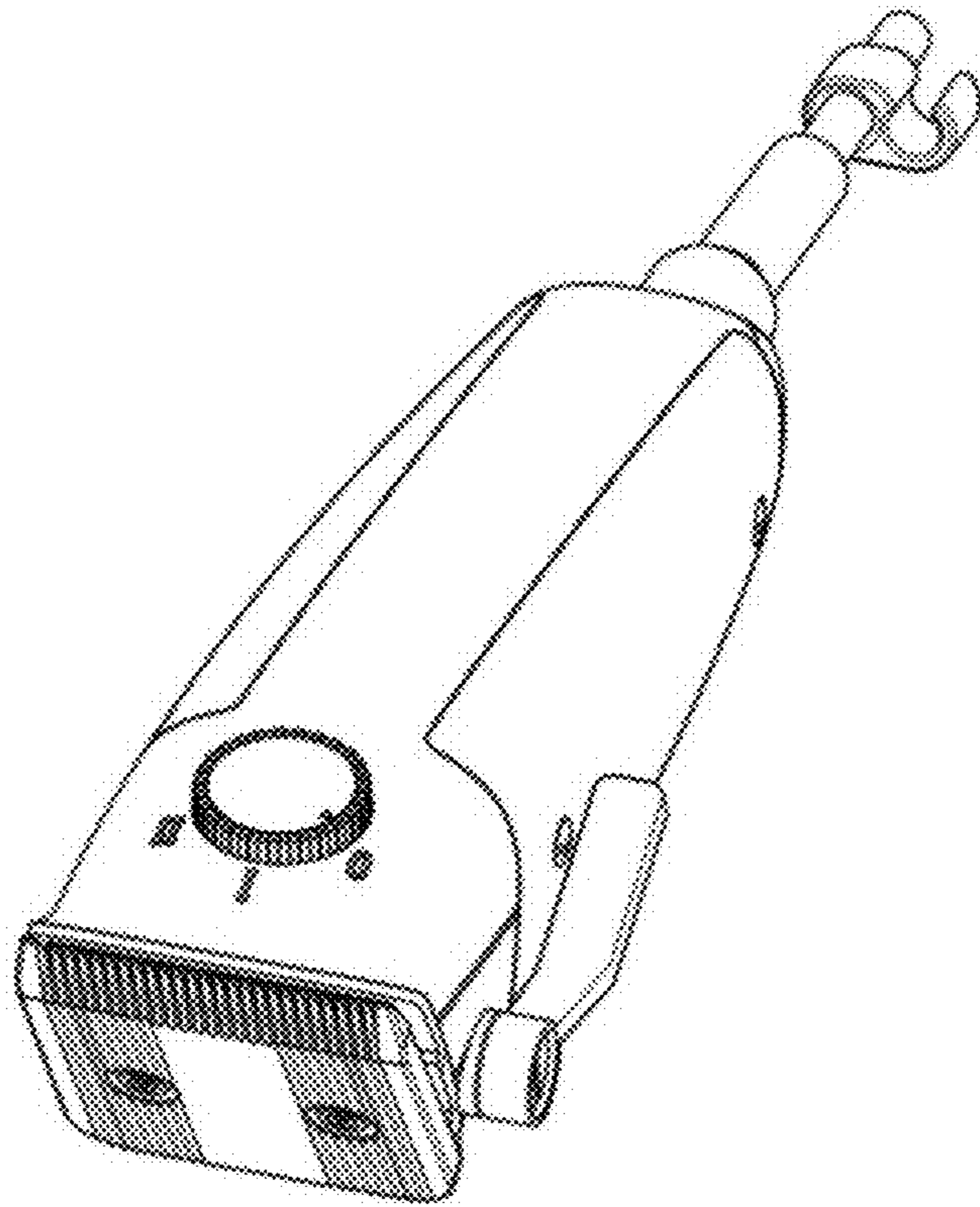
References Cited

U.S. PATENT DOCUMENTS

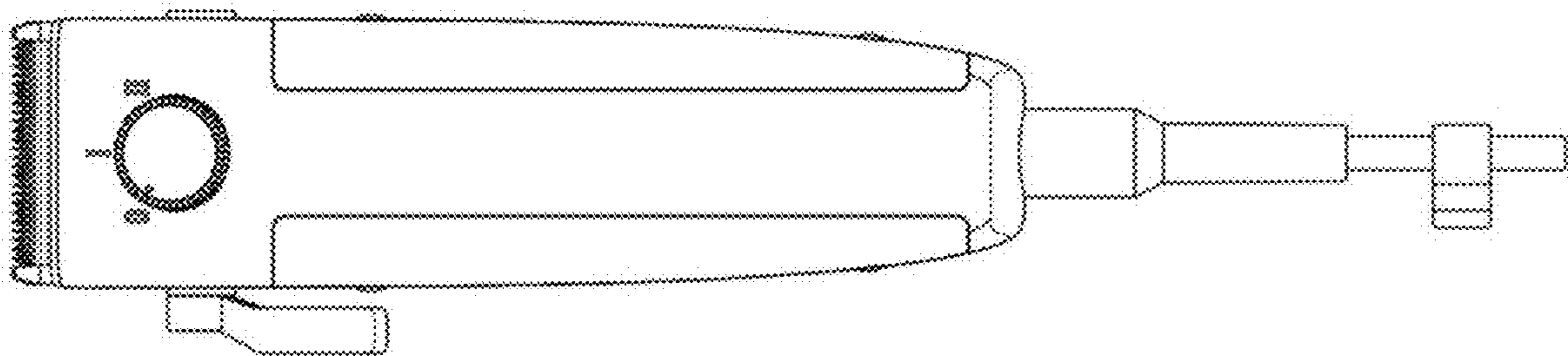
D820,521 S * 6/2018 Nitsch D28/53
D821,652 S * 6/2018 Skuhra D28/53

* cited by examiner

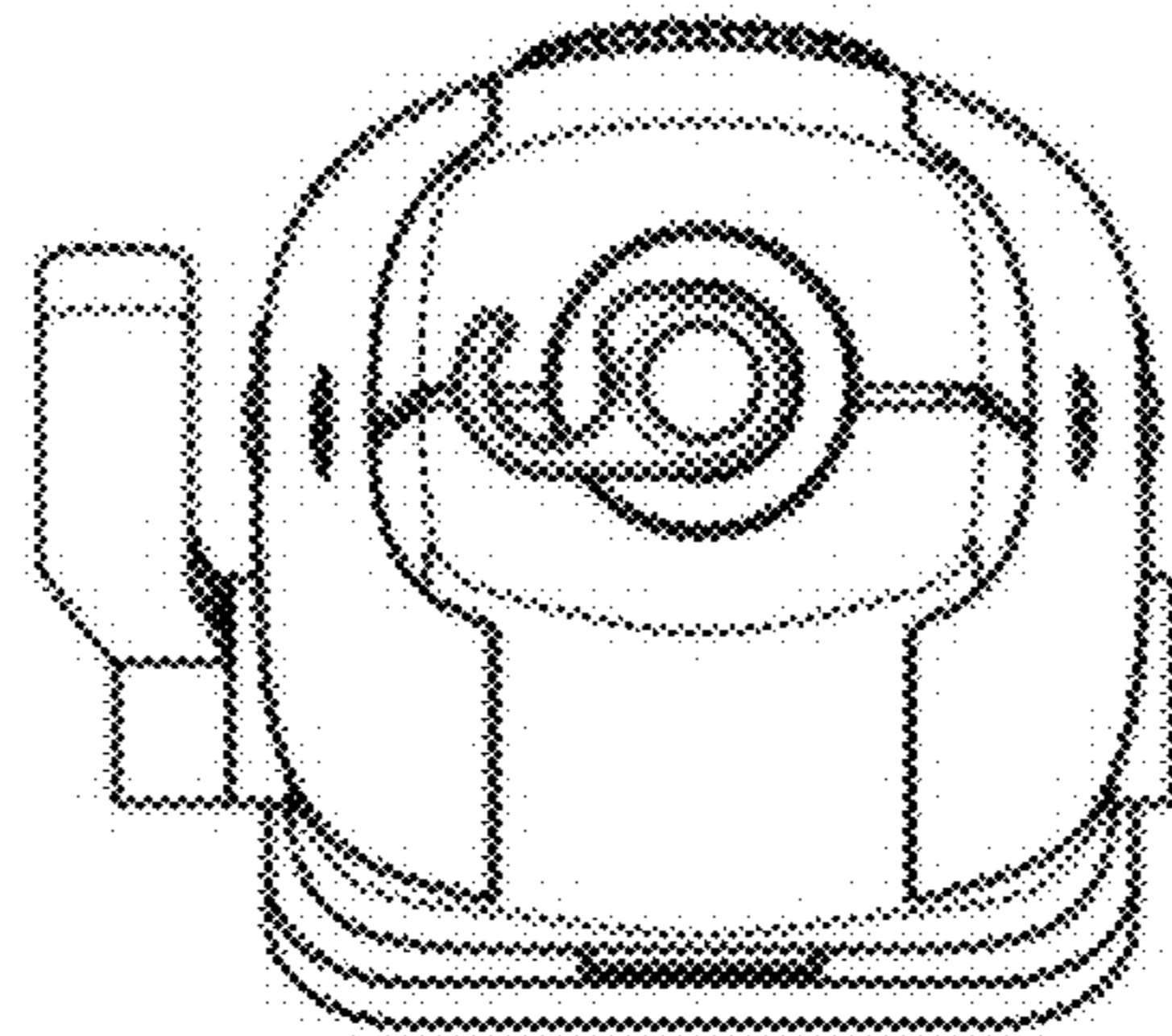
1.1



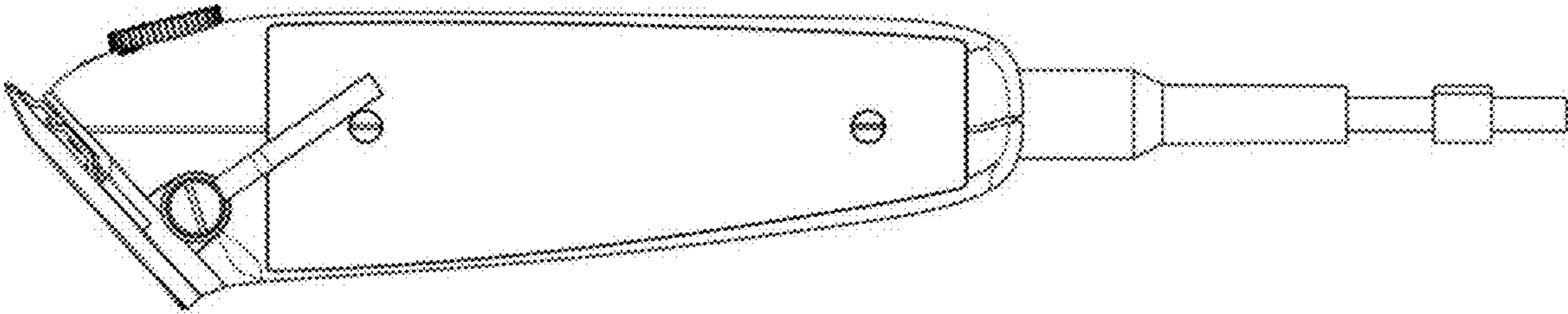
1.2



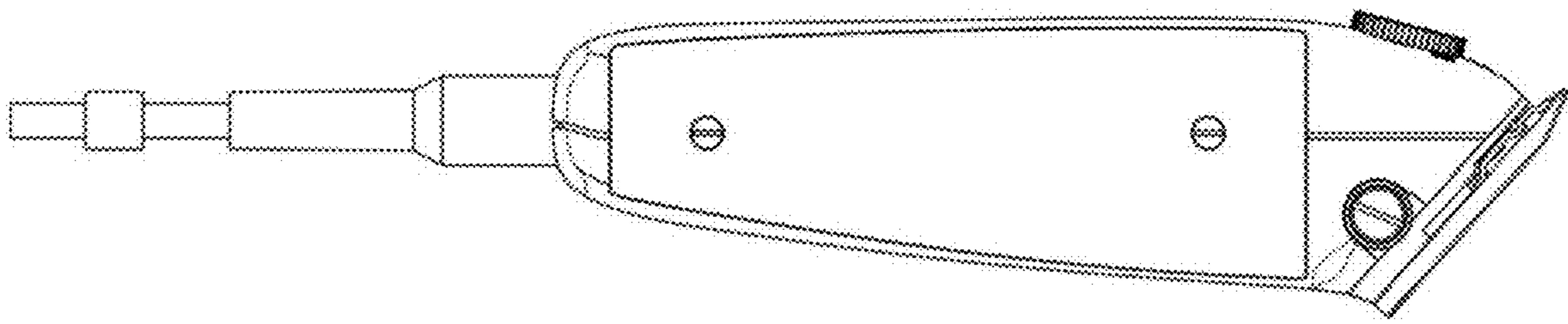
1.3



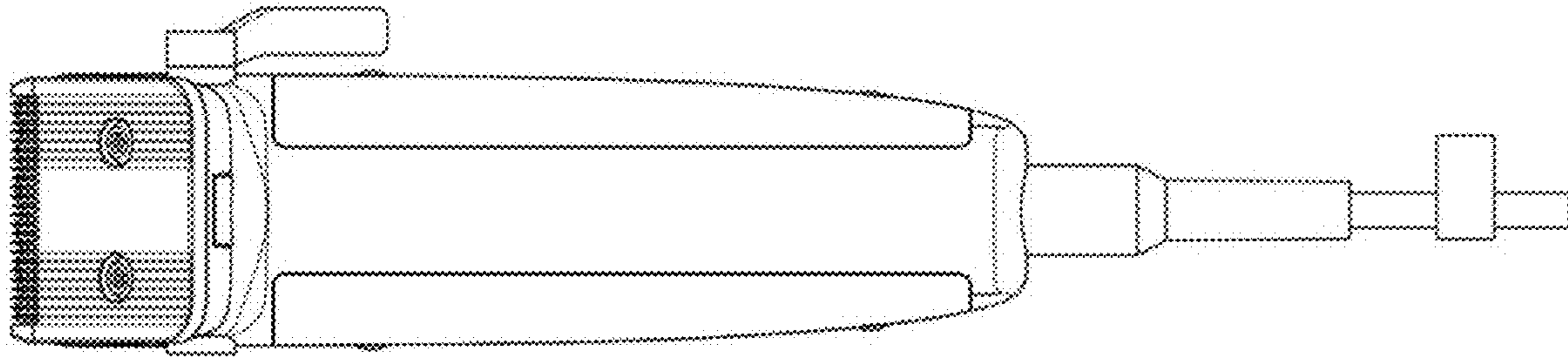
1.4



1.5



1.6



1.7

